



US00D482660S

(12) **United States Design Patent**  
**Hisamatsu et al.**

(10) **Patent No.:** **US D482,660 S**

(45) **Date of Patent:** **\*\* Nov. 25, 2003**

(54) **ELECTRICAL CONNECTOR**

(75) Inventors: **Kazuhito Hisamatsu, Akiruno (JP);  
Akira Kimura, Kokubunji (JP)**

(73) Assignee: **Japan Aviation Electronics Industry,  
Limited, Tokyo (JP)**

(\*\*) Term: **14 Years**

(21) Appl. No.: **29/173,680**

(22) Filed: **Jan. 3, 2003**

(30) **Foreign Application Priority Data**

Jul. 5, 2002 (JP) ..... 2002-021400

(51) **LOC (7) Cl.** ..... **13-03**

(52) **U.S. Cl.** ..... **D13/147**

(58) **Field of Search** ..... D13/147; 439/296,  
439/345, 329, 378, 422, 492, 260, 395,  
495, 499

(56) **References Cited**

**U.S. PATENT DOCUMENTS**

D293,432 S	*	12/1987	Masuda	.....	D13/147
6,077,089 A	*	6/2000	Bishop et al.	.....	439/296 X
D444,130 S	*	6/2001	Hayashi et al.	.....	D13/147
D454,114 S	*	3/2002	Hayashi et al.	.....	D13/147
D455,717 S	*	4/2002	Hayashi et al.	.....	D13/147
D456,777 S	*	5/2002	Igarashi	.....	D13/147
D456,778 S	*	5/2002	Igarashi	.....	D13/147

D456,779 S	*	5/2002	Igarashi	.....	D13/147
D456,780 S	*	5/2002	Igarashi	.....	D13/147
2001/0036767 A1	*	11/2001	Igarashi	.....	439/442

\* cited by examiner

*Primary Examiner*—Joel Sincavage

(74) *Attorney, Agent, or Firm*—Collard & Roe, P.C.

(57) **CLAIM**

The ornamental design for an electrical connector, as shown and described.

**DESCRIPTION**

FIG. 1 is a front, top, and right side perspective view of an electrical connector;

FIG. 2 is a top view thereof;

FIG. 3 is a front view thereof;

FIG. 4 is a right side elevational view thereof;

FIG. 5 is a bottom view thereof;

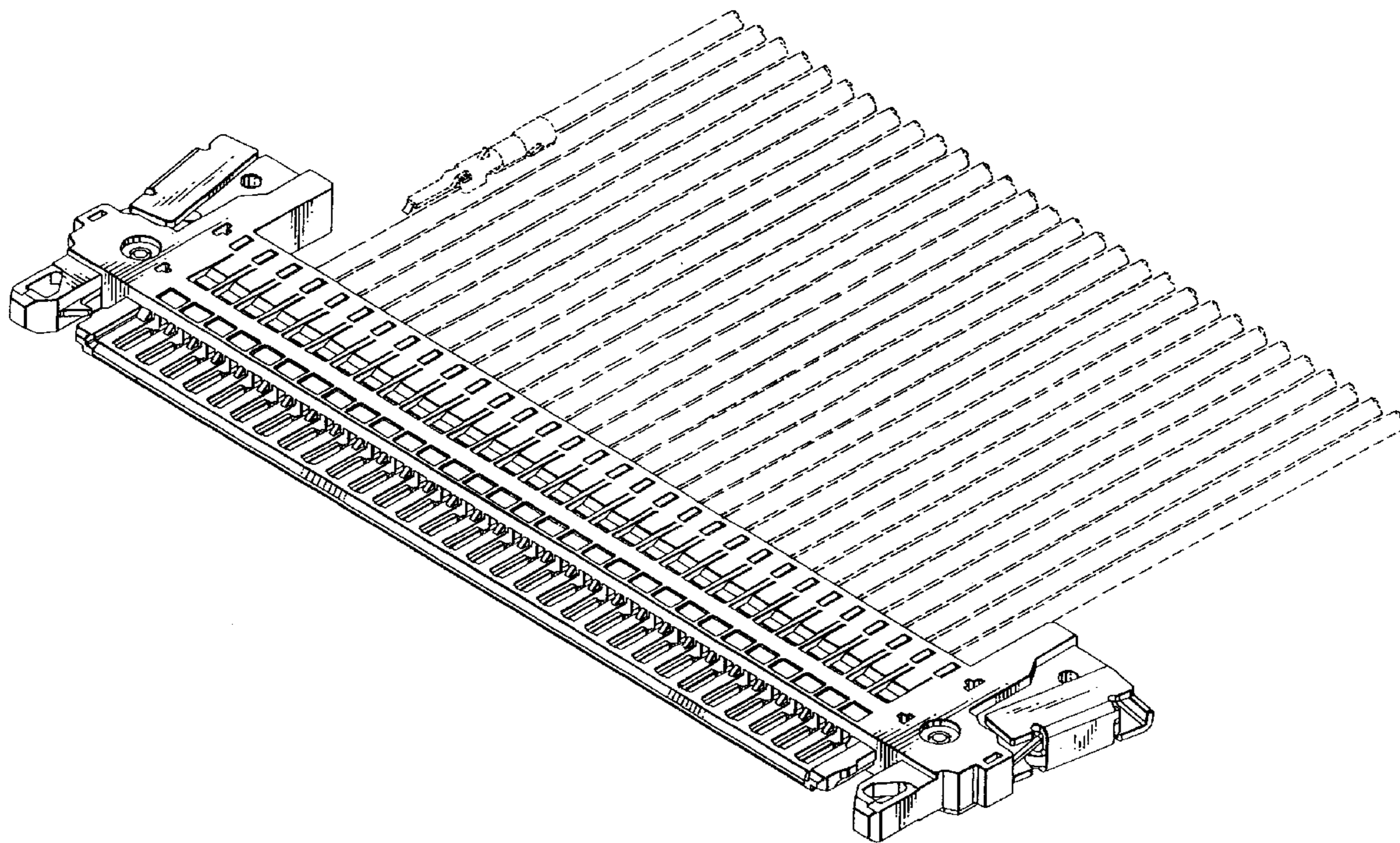
FIG. 6 is a rear view thereof; and,

FIG. 7 is a perspective view showing the state in use thereof where the electrical connector is coupled with a wire harness.

A left side elevational view of the electrical connector is omitted because it is presented symmetrical to the right side elevational view of FIG. 4.

The broken lines showing the wire harness in FIG. 7 are included for the purpose of illustrating environmental structure only and form no part of the claimed design.

**1 Claim, 7 Drawing Sheets**



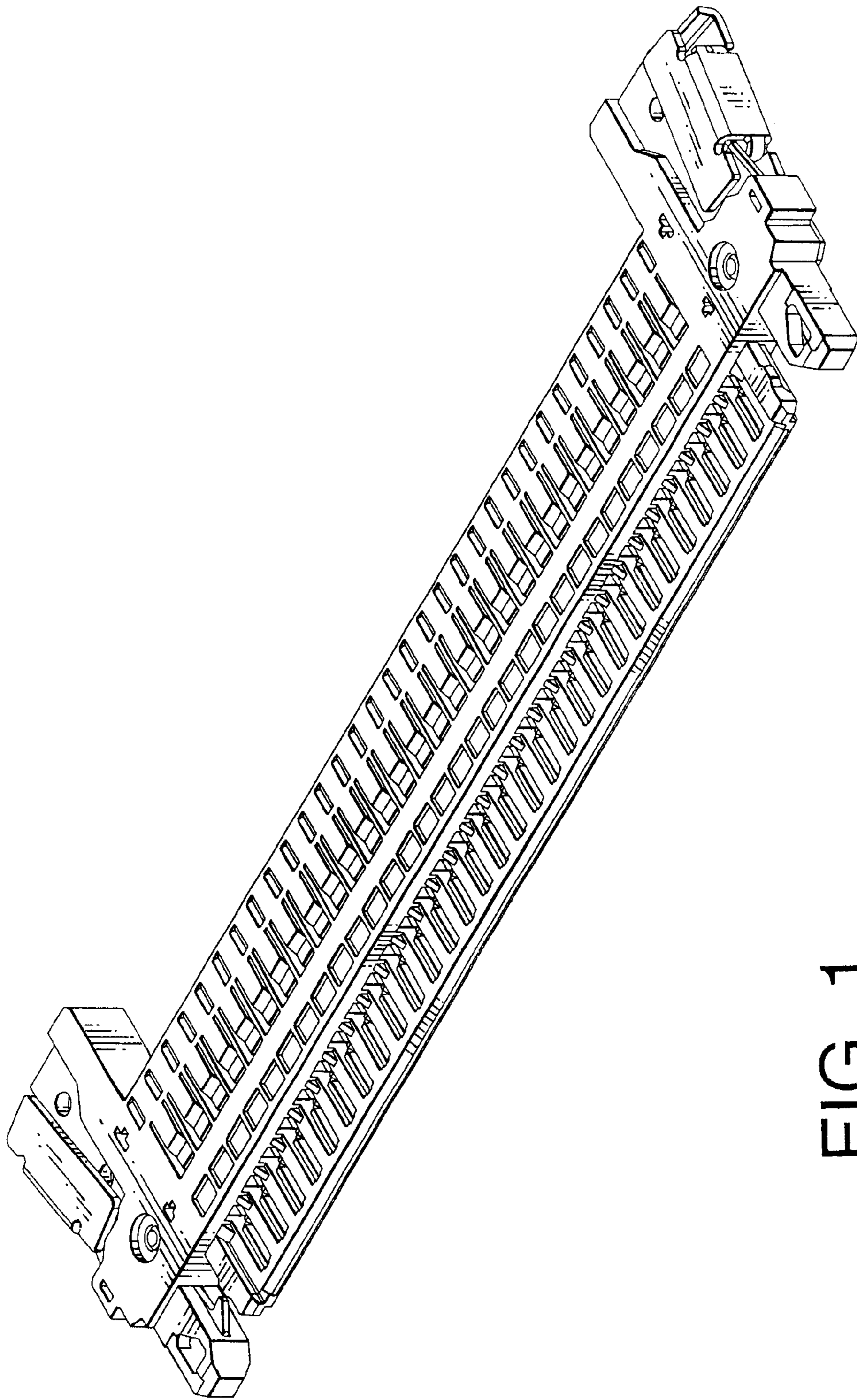


FIG. 1



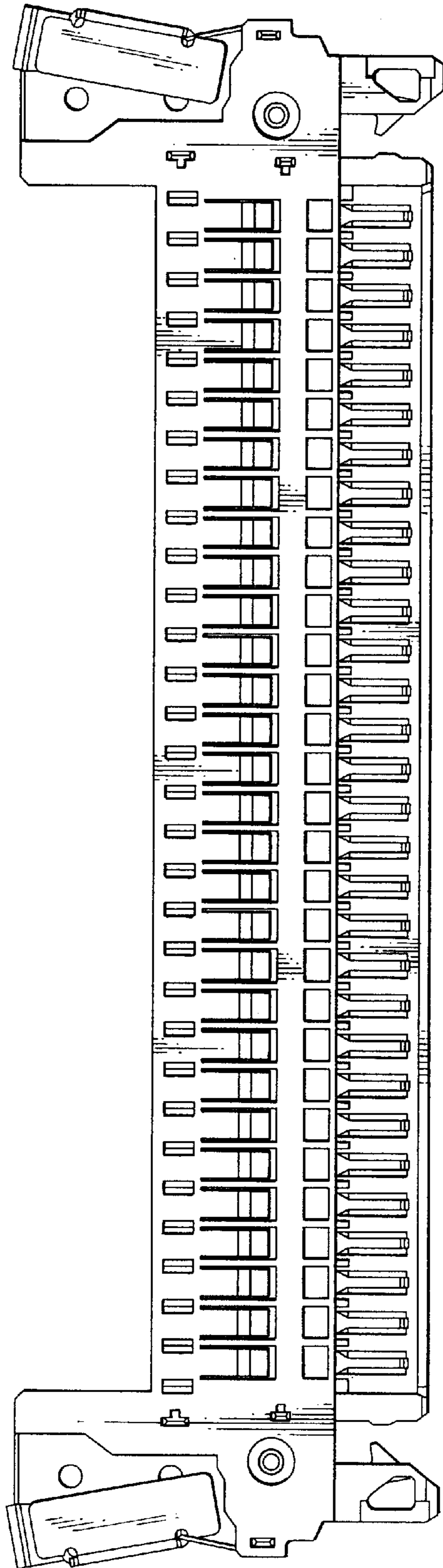


FIG. 2

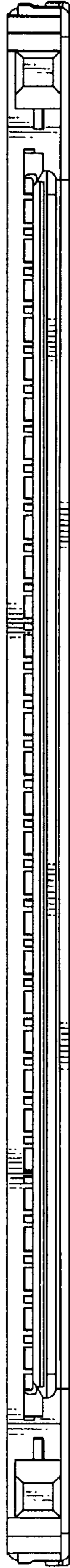


FIG. 3

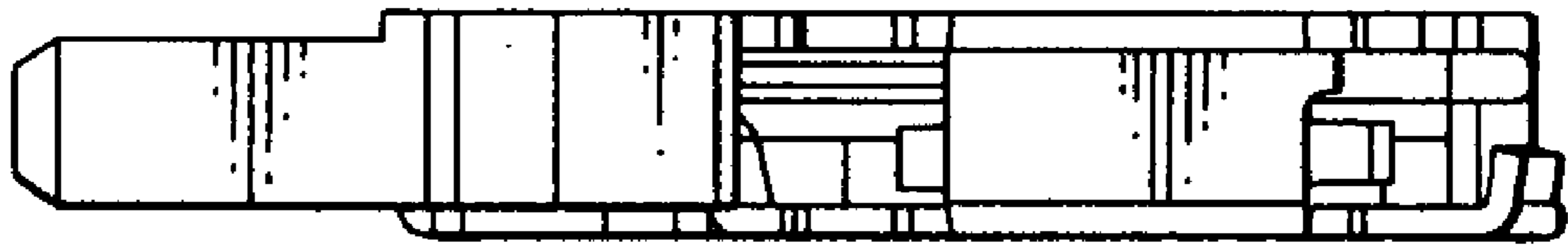


FIG. 4

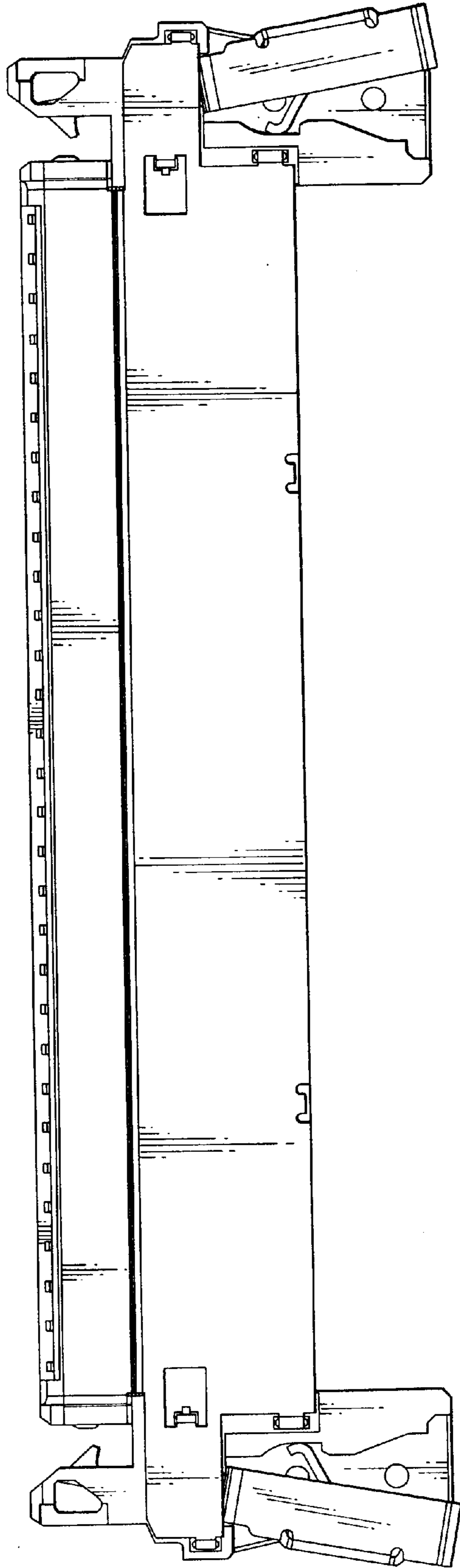


FIG. 5

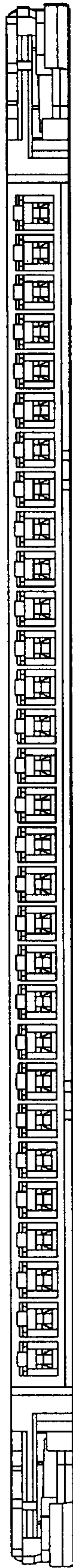


FIG. 6

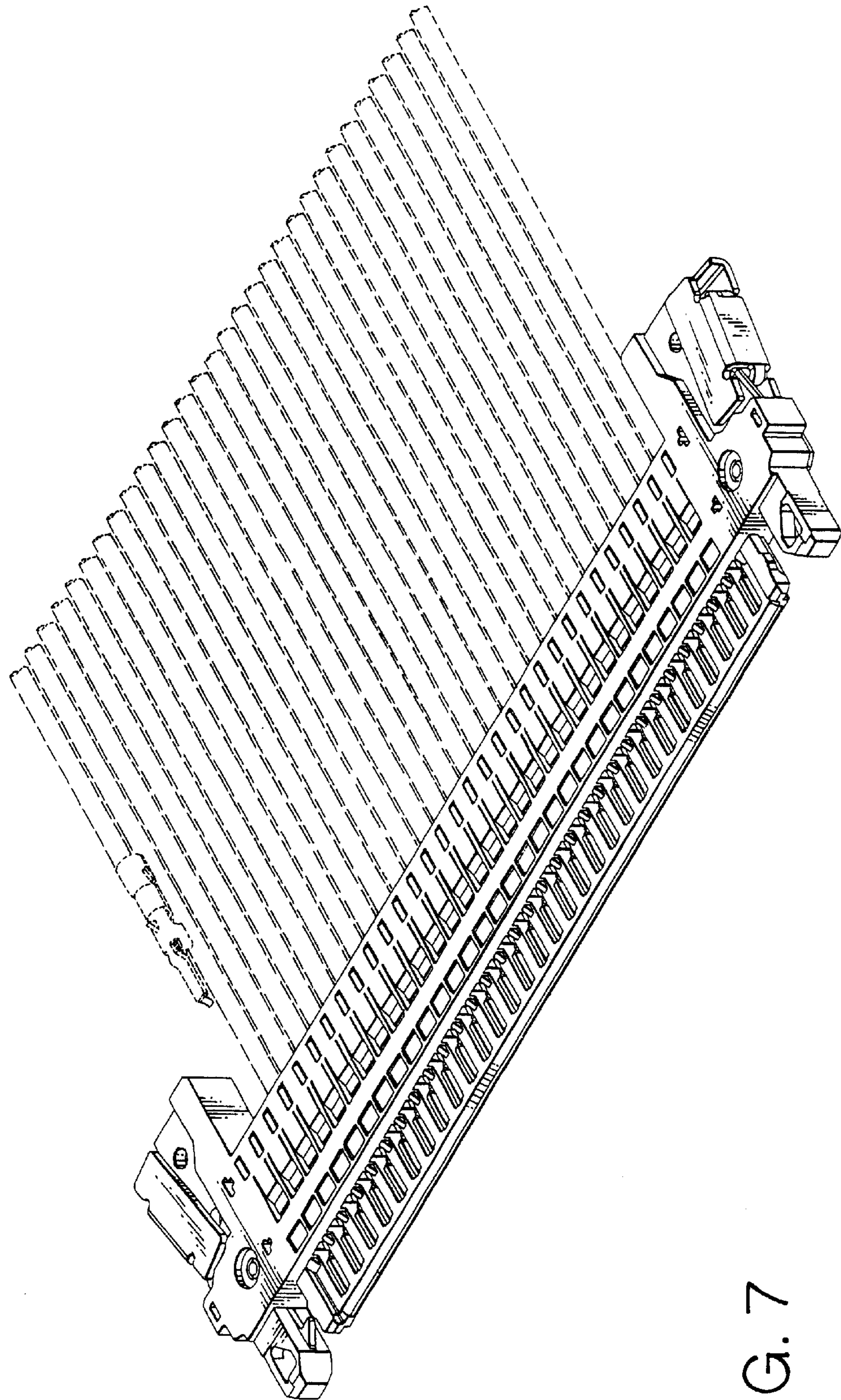


FIG. 7