



US00D482659S

(12) **United States Design Patent**
Zhang

(10) **Patent No.:** **US D482,659 S**

(45) **Date of Patent:** **** Nov. 25, 2003**

(54) **ELECTRICAL CONNECTOR**

(75) Inventor: **Guozeng Zhang**, Kunsan (CN)

(73) Assignee: **Hon Hai Precision Ind. Co., Ltd.**,
Taipei Hsien (TW)

(**) Term: **14 Years**

(21) Appl. No.: **29/173,352**

(22) Filed: **Dec. 24, 2002**

(30) **Foreign Application Priority Data**

Dec. 20, 2002 (TW) 91307440

(51) **LOC (7) Cl.** **13-03**

(52) **U.S. Cl.** **D13/147**

(58) **Field of Search** D13/147; 439/541.5,
439/607, 609, 638

(56) **References Cited**

U.S. PATENT DOCUMENTS

6,027,375 A * 2/2000 Wu 439/607

6,095,861 A * 8/2000 Lin et al. 439/607

6,347,961 B2 * 2/2002 Zhu et al. 439/607

6,364,700 B1 * 4/2002 Zhu et al. 439/567

* cited by examiner

Primary Examiner—Joel Sincavage

(74) *Attorney, Agent, or Firm*—Wei Te Chung

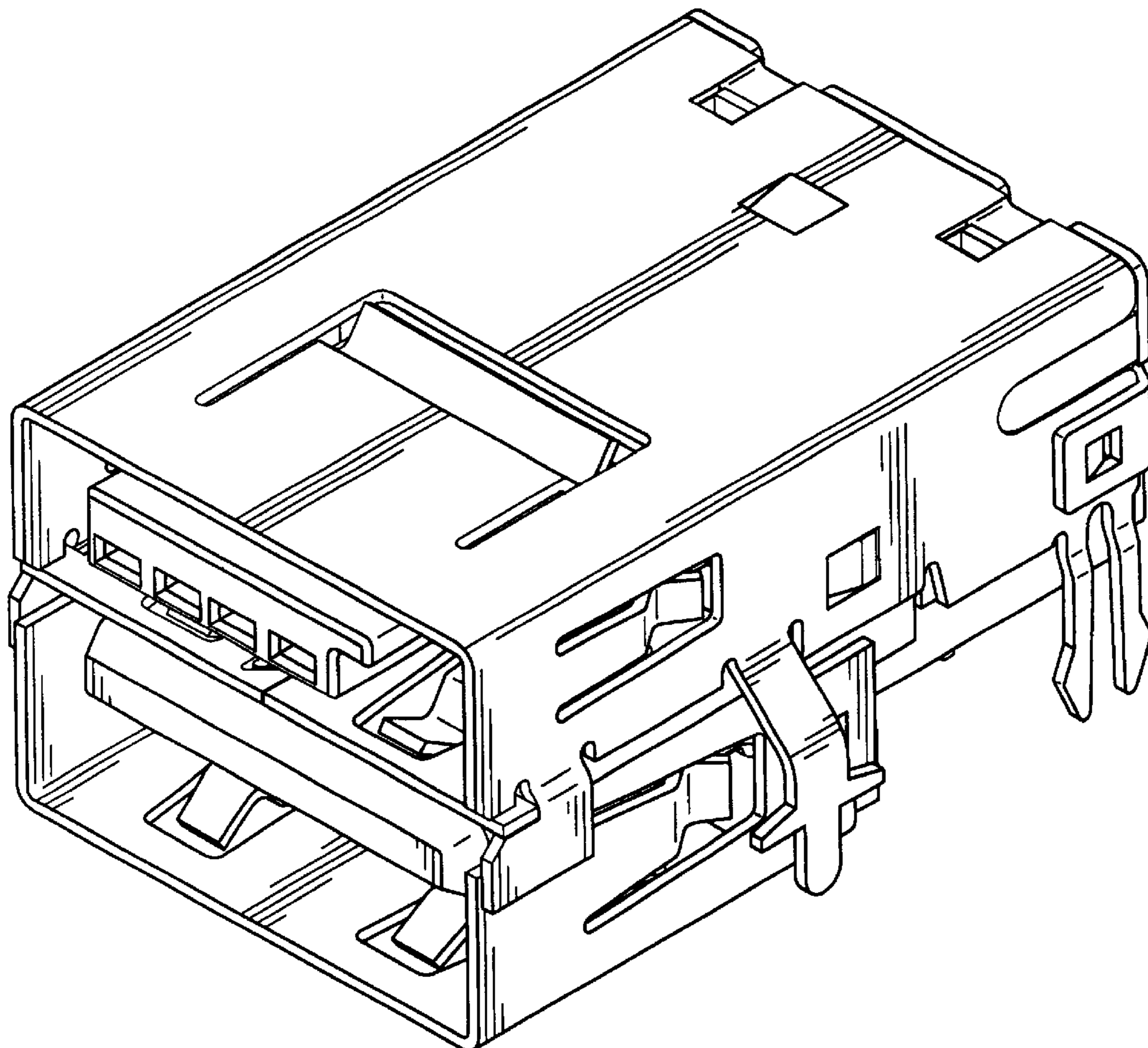
(57) **CLAIM**

The ornamental design for an electrical connector, as shown.

DESCRIPTION

FIG. 1 is a front, top and right side perspective view of an electrical connector showing my new design; FIG. 2 is a front elevational view of FIG. 1; FIG. 3 is a rear elevational view of FIG. 1; FIG. 4 is a left side elevational view of FIG. 1; FIG. 5 is a right side elevational view of FIG. 1; FIG. 6 is a top plan view of FIG. 1; and, FIG. 7 is a bottom plan view of FIG. 1.

1 Claim, 7 Drawing Sheets



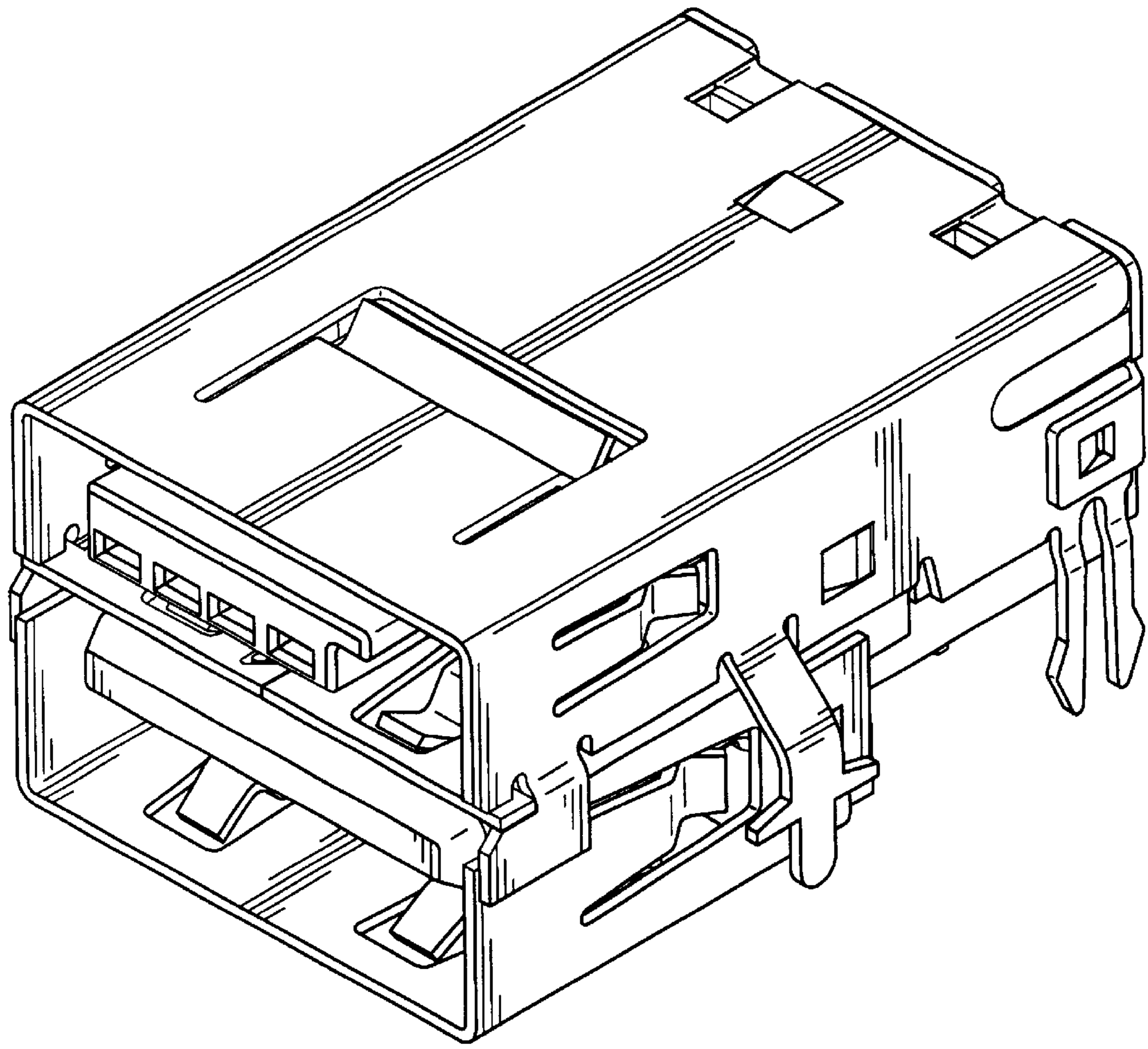


FIG. 1

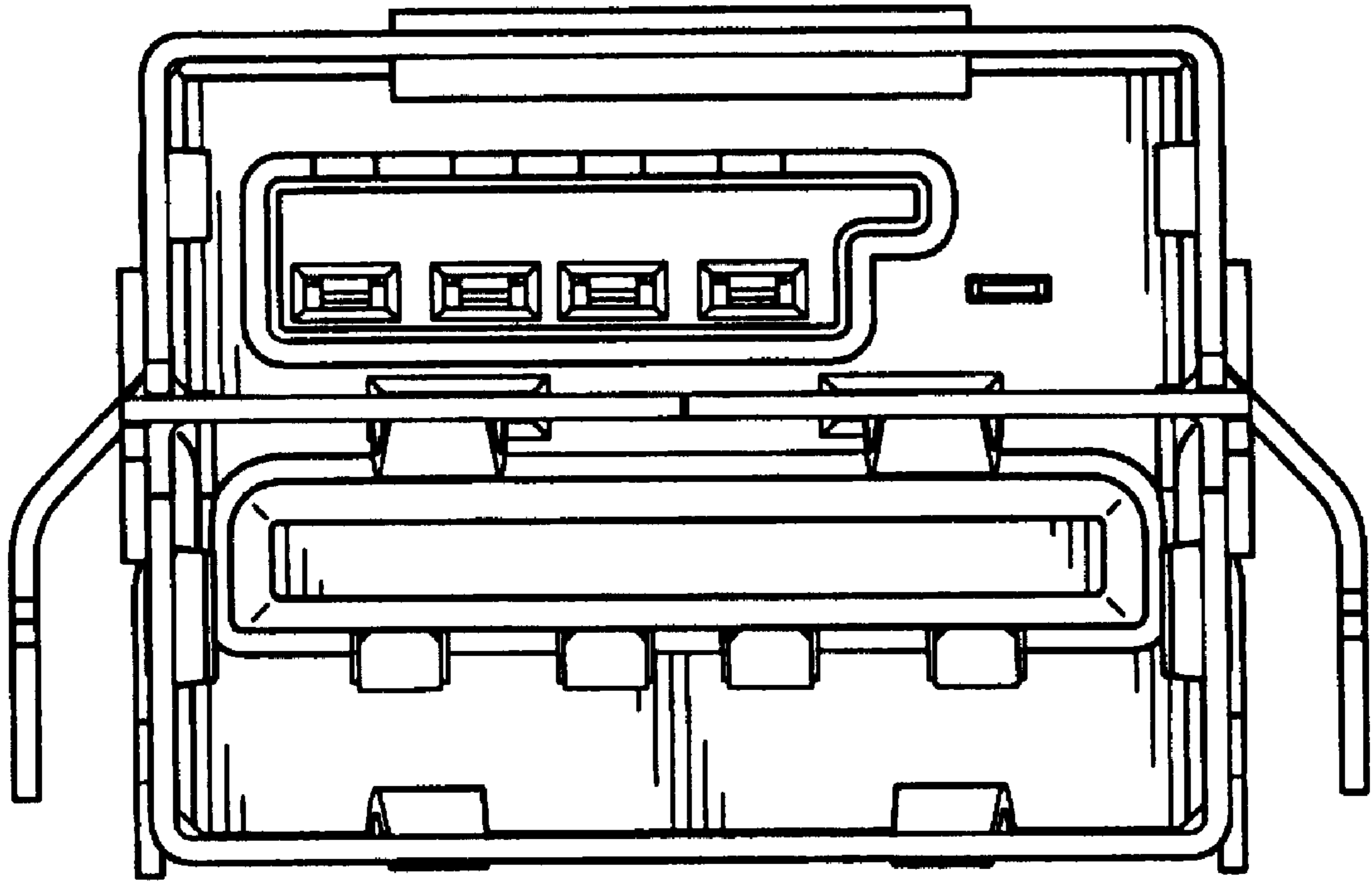


FIG. 2

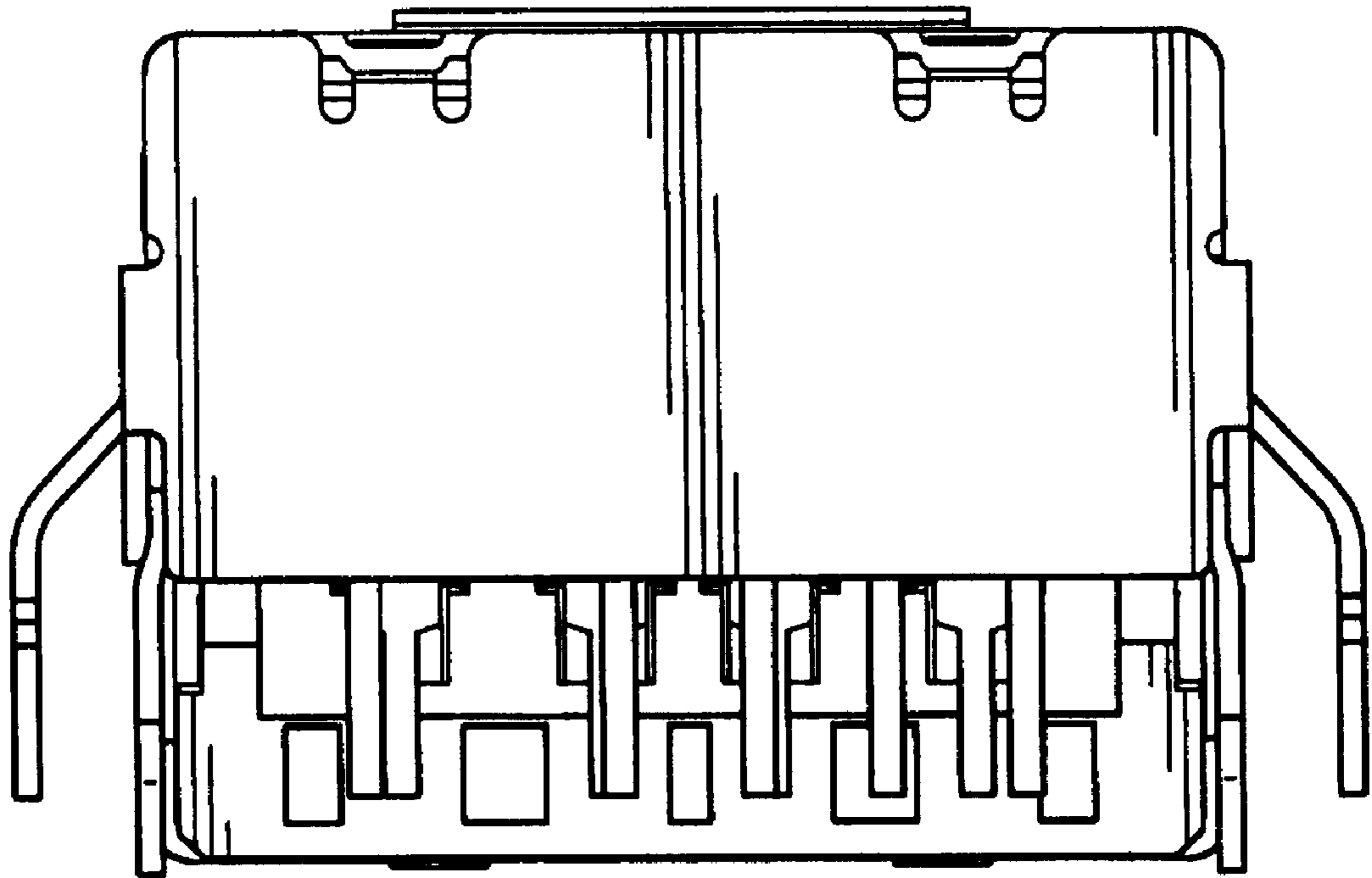


FIG. 3

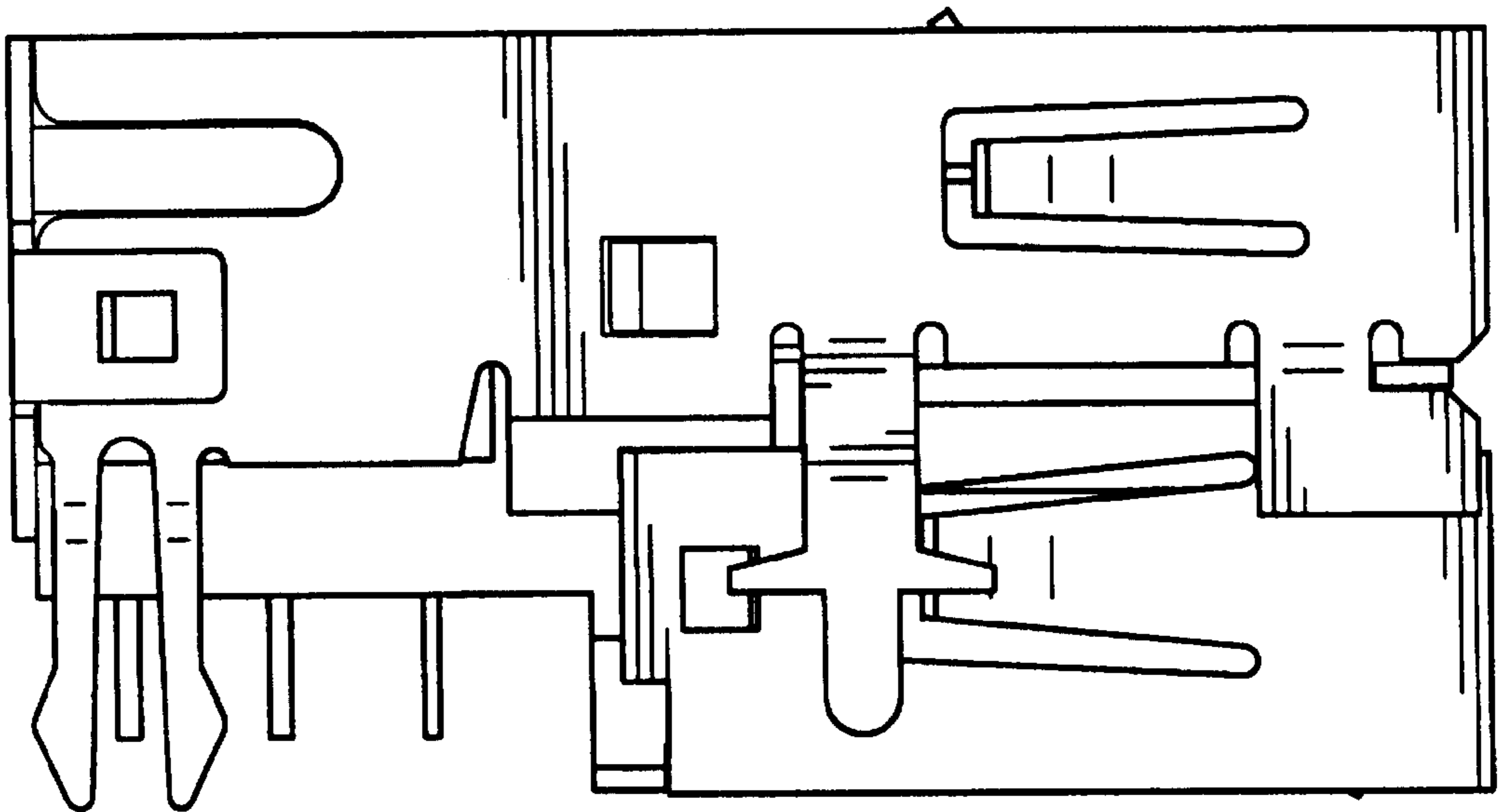


FIG. 4

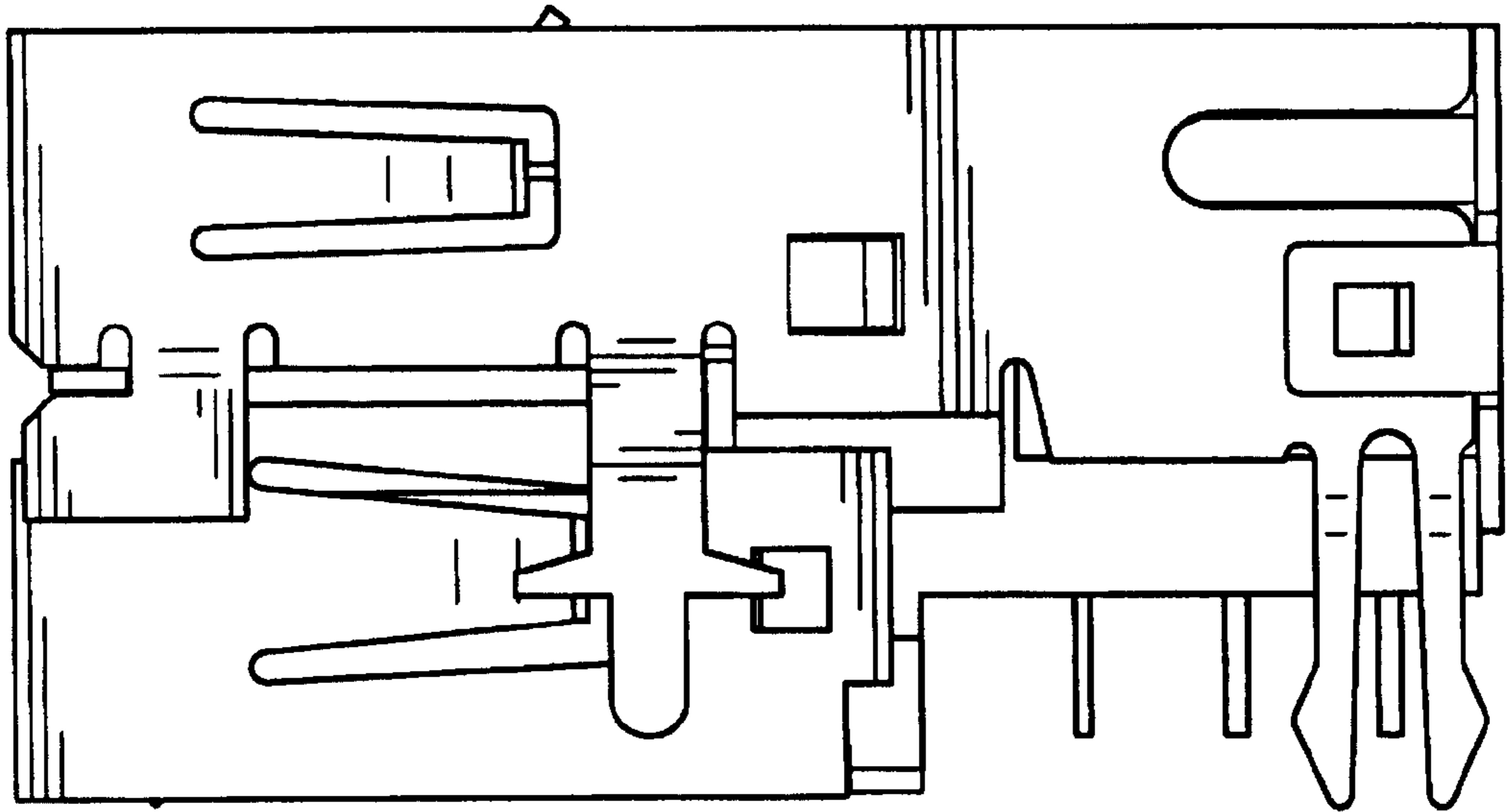


FIG. 5

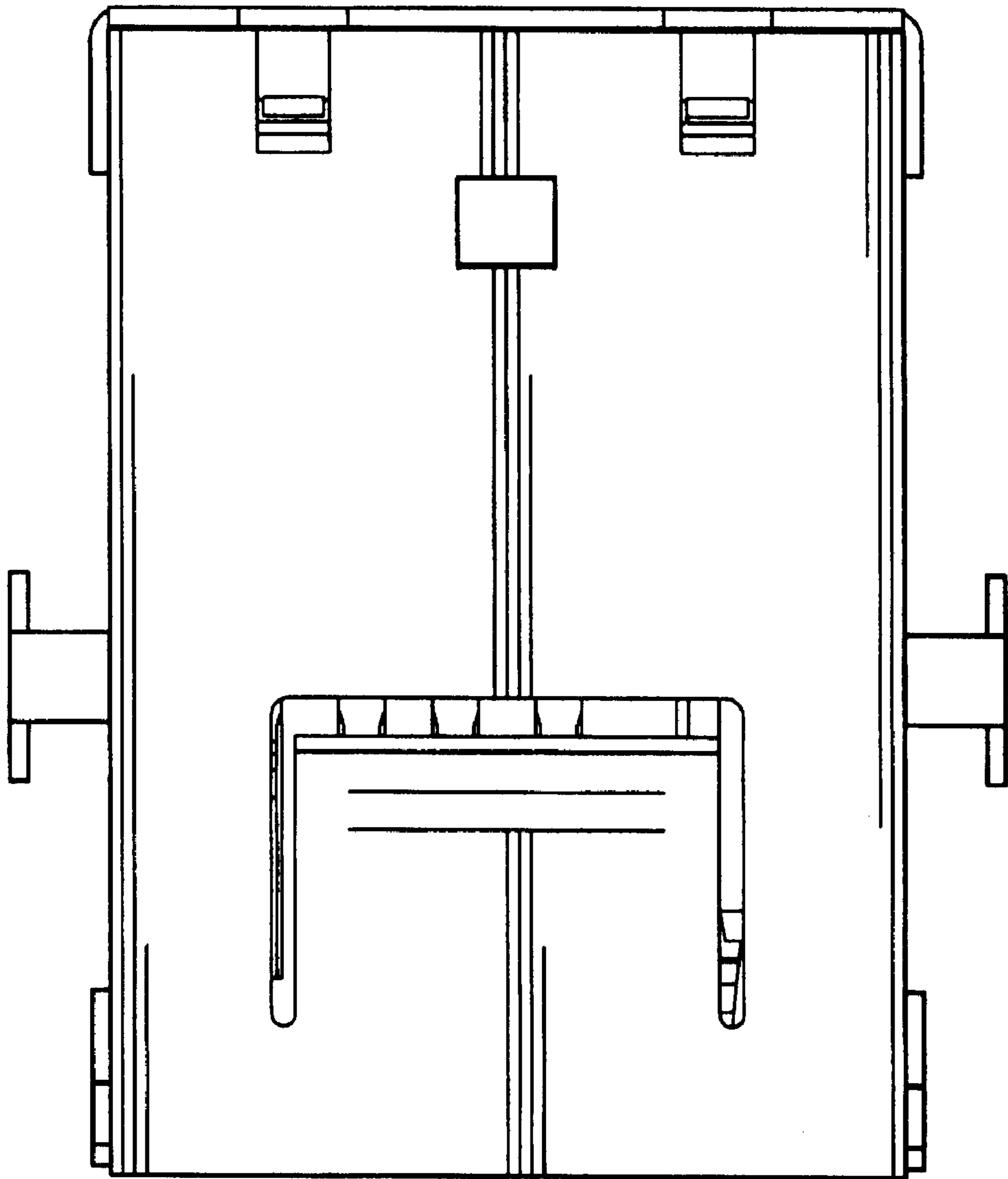


FIG. 6

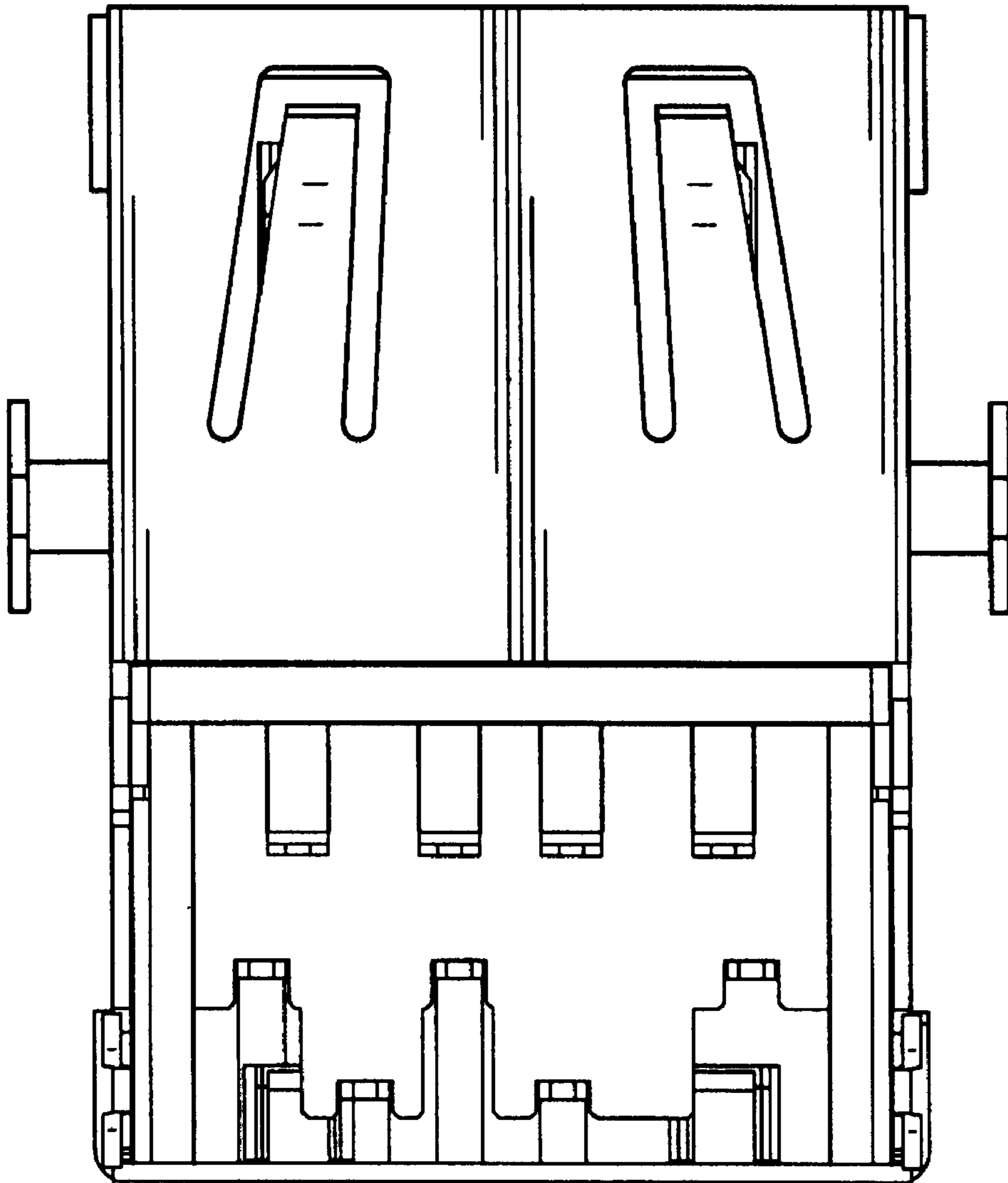


FIG. 7