



US00D482657S

(12) **United States Design Patent**  
**Lai**

(10) **Patent No.:** **US D482,657 S**

(45) **Date of Patent:** **\*\* Nov. 25, 2003**

(54) **ELECTRICAL CONNECTOR ASSEMBLY**

(75) Inventor: **Chin Te Lai, Tu-Chen (TW)**

(73) Assignee: **Hon Hai Precisionind. Co., Ltd.,  
Taipei Hsien (TW)**

(\*\*) Term: **14 Years**

(21) Appl. No.: **29/174,768**

(22) Filed: **Jan. 24, 2003**

(30) **Foreign Application Priority Data**

Dec. 25, 2002 (TW) ..... 91307519

(51) **LOC (7) Cl.** ..... **13-03**

(52) **U.S. Cl.** ..... **D13/146; D13/133**

(58) **Field of Search** ..... **D13/133, 146,  
D13/147; 439/638, 669**

(56) **References Cited**

**U.S. PATENT DOCUMENTS**

D128,400 S \* 7/1941 Miller ..... D13/146  
D298,313 S \* 11/1988 Jong ..... D13/133

5,895,294 A \* 4/1999 DeLangis et al. .... 439/669  
D415,102 S \* 10/1999 Suzuki et al. .... D13/133  
6,203,344 B1 \* 3/2001 Ito ..... 439/669 X  
6,425,783 B1 \* 7/2002 Touboul ..... 439/638

\* cited by examiner

*Primary Examiner*—Joel Sincavage

(74) *Attorney, Agent, or Firm*—Wei Te Chung

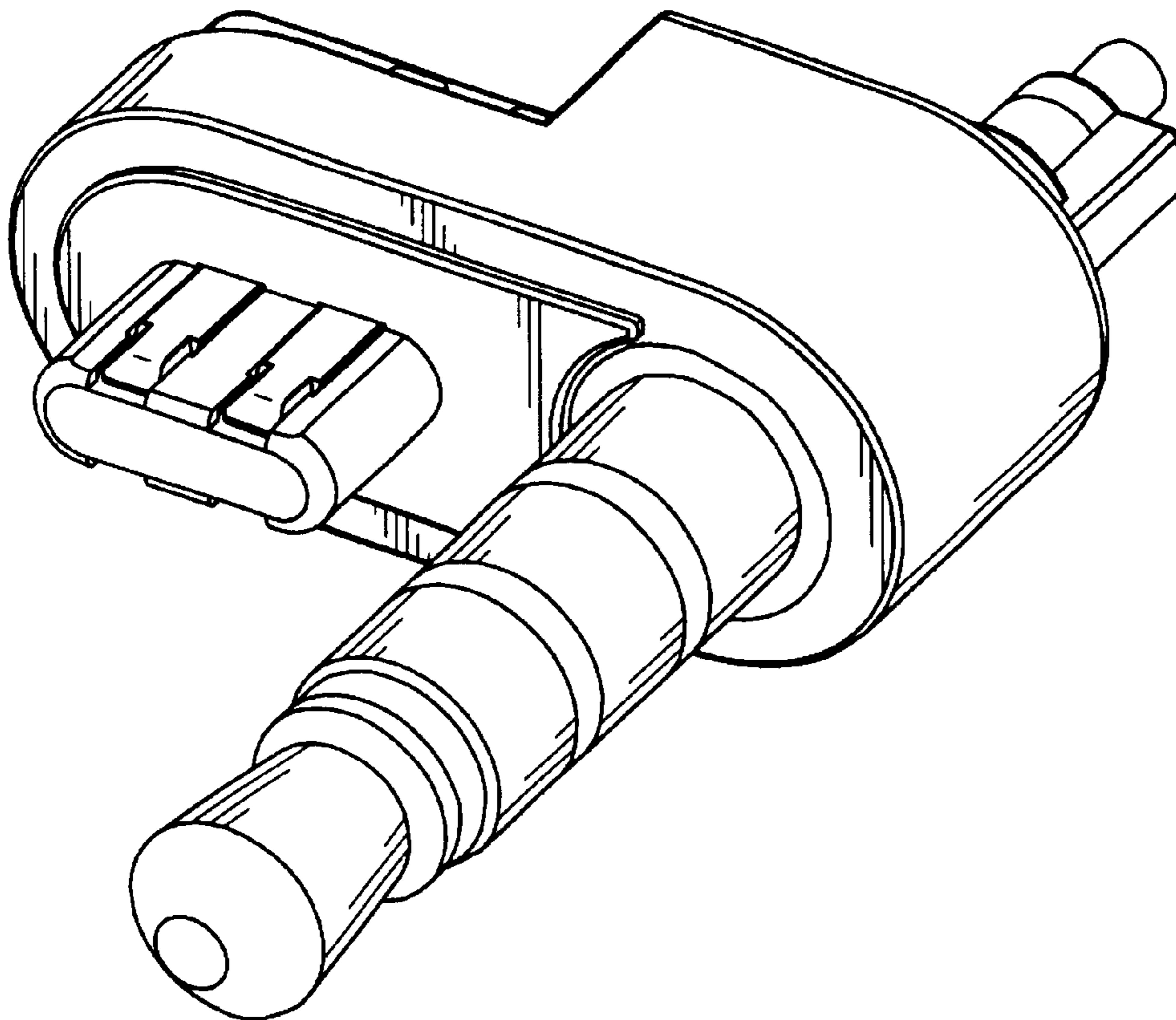
(57) **CLAIM**

The ornamental design for an electrical connector assembly,  
as shown.

**DESCRIPTION**

FIG. 1 is a front, top and left side perspective view of an  
electrical connector assembly;  
FIG. 2 is a front elevational view thereof;  
FIG. 3 is a rear elevational view thereof;  
FIG. 4 is a left side elevational view thereof;  
FIG. 5 is a right side elevational view thereof;  
FIG. 6 is a top plan view thereof; and,  
FIG. 7 is a bottom plan view thereof.

**1 Claim, 7 Drawing Sheets**



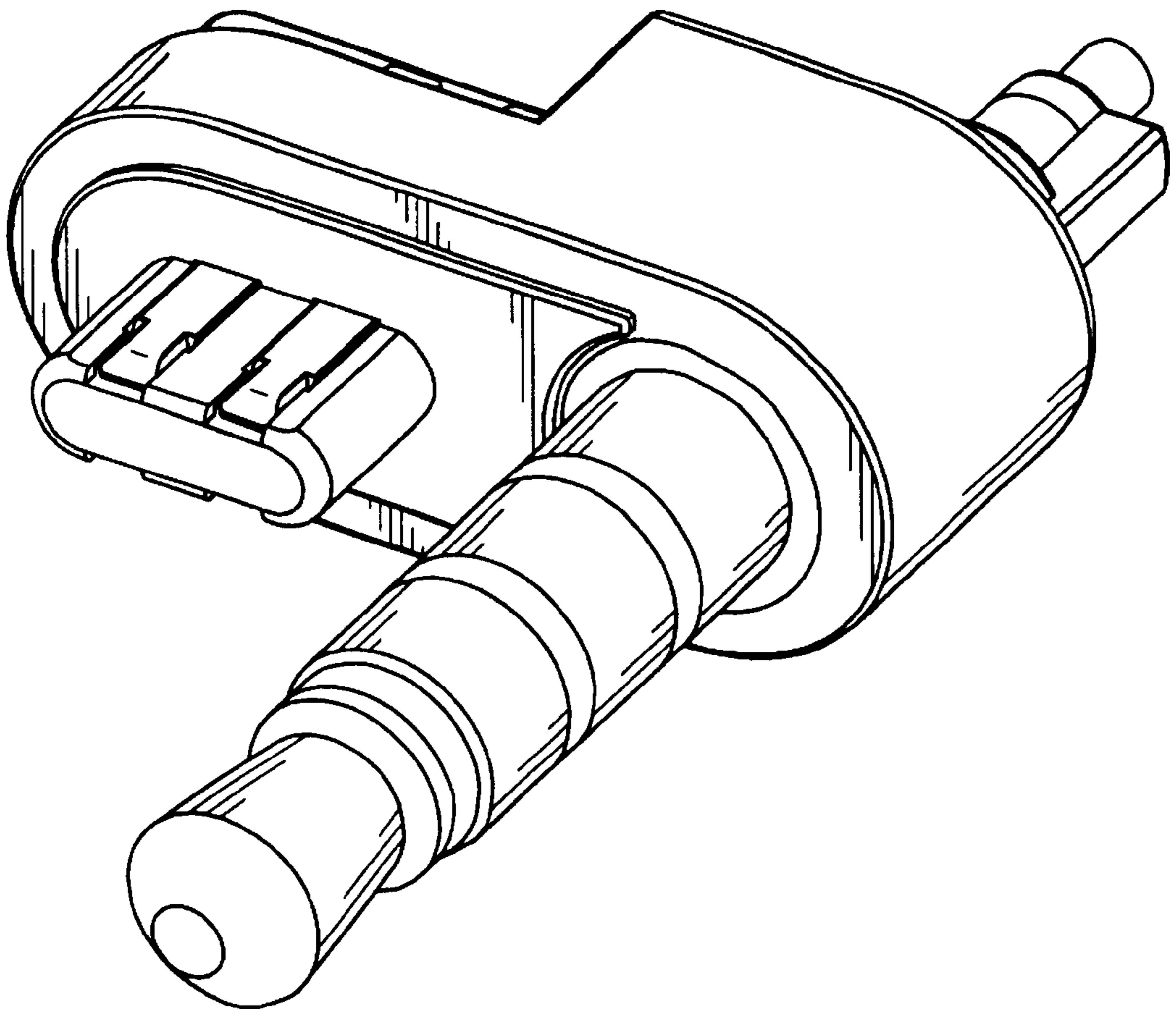


FIG. 1

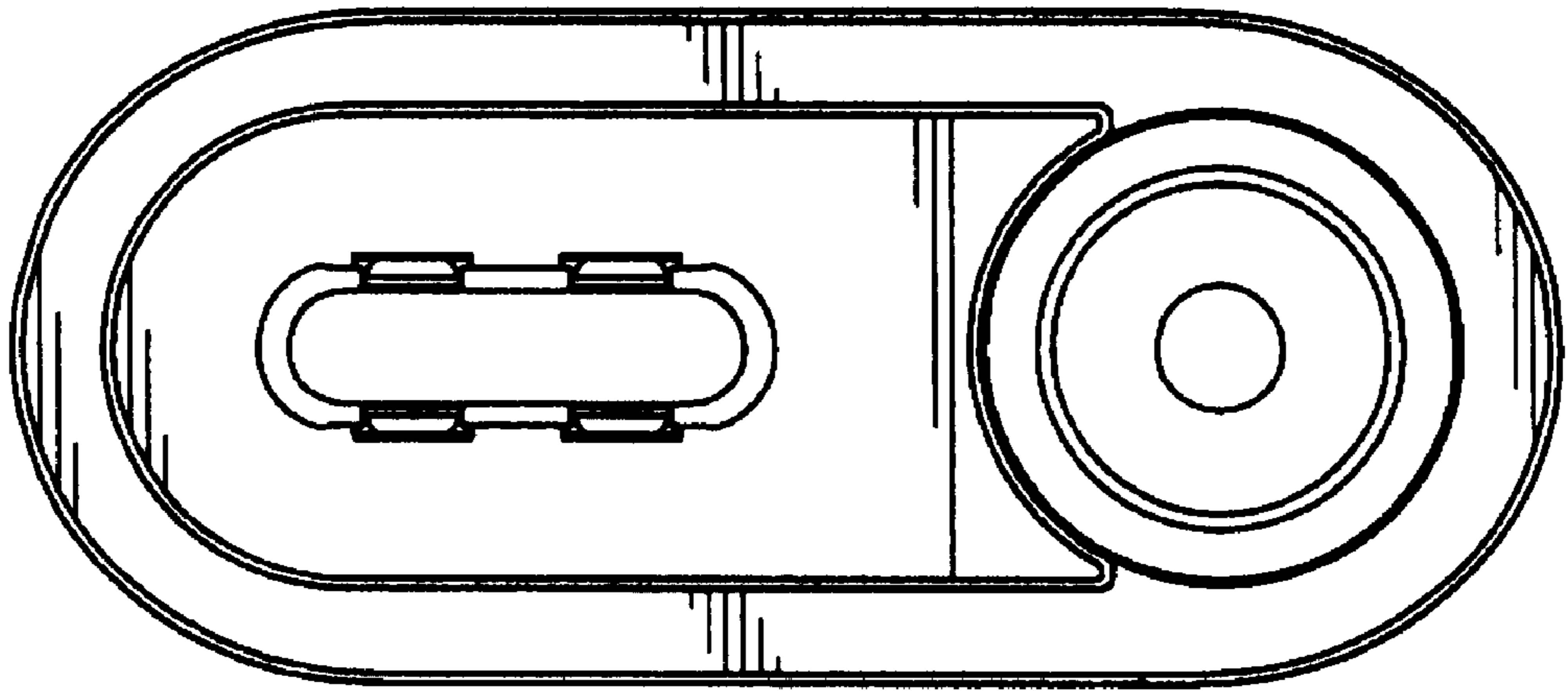


FIG. 2

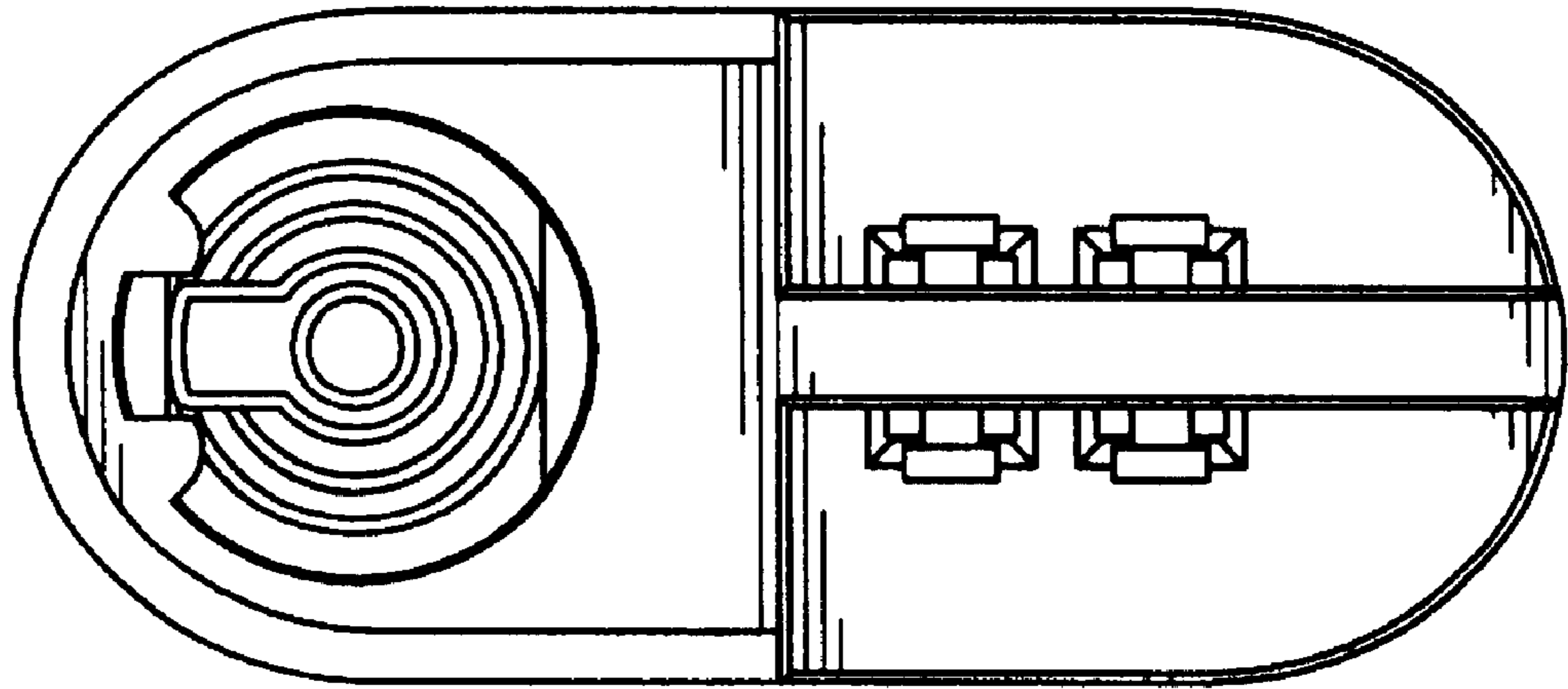


FIG. 3

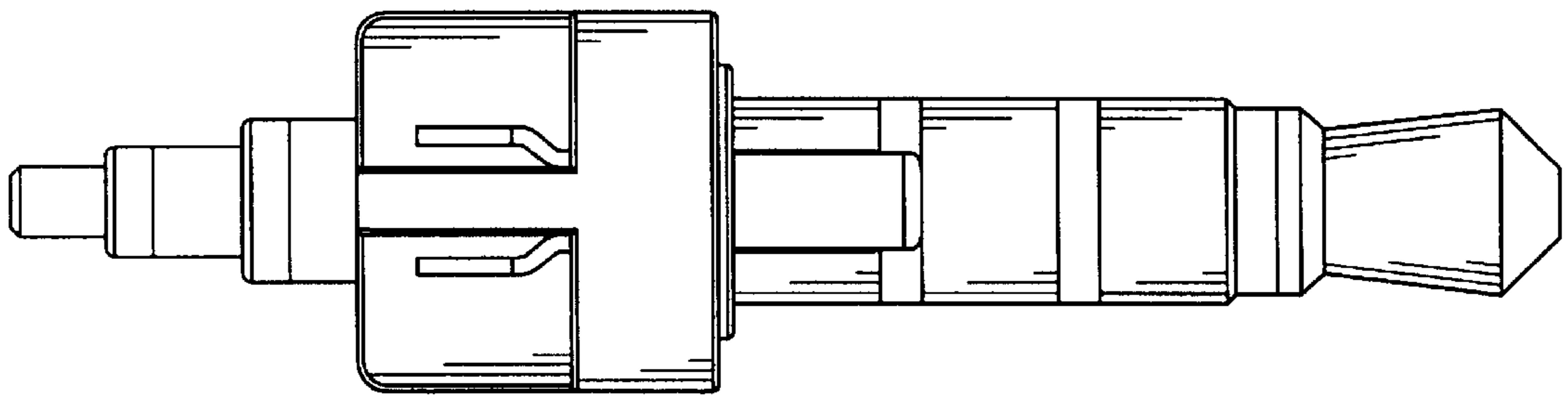


FIG. 4

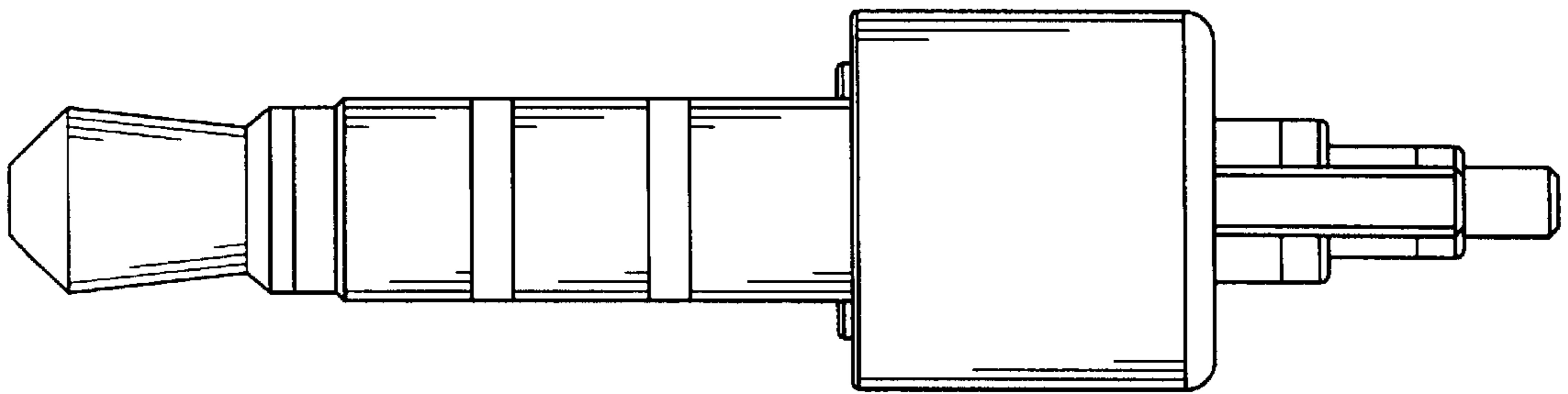


FIG. 5

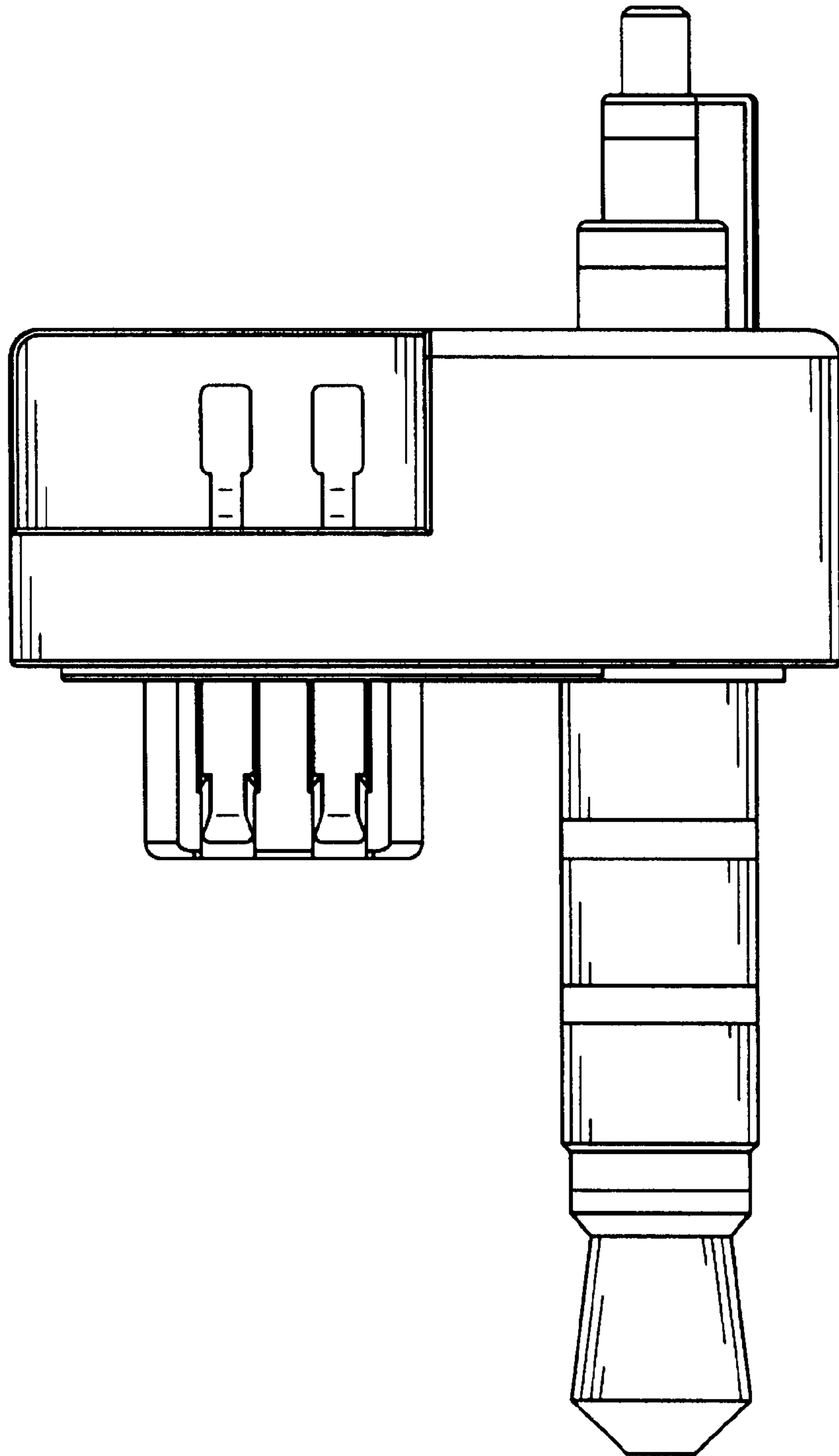


FIG. 6

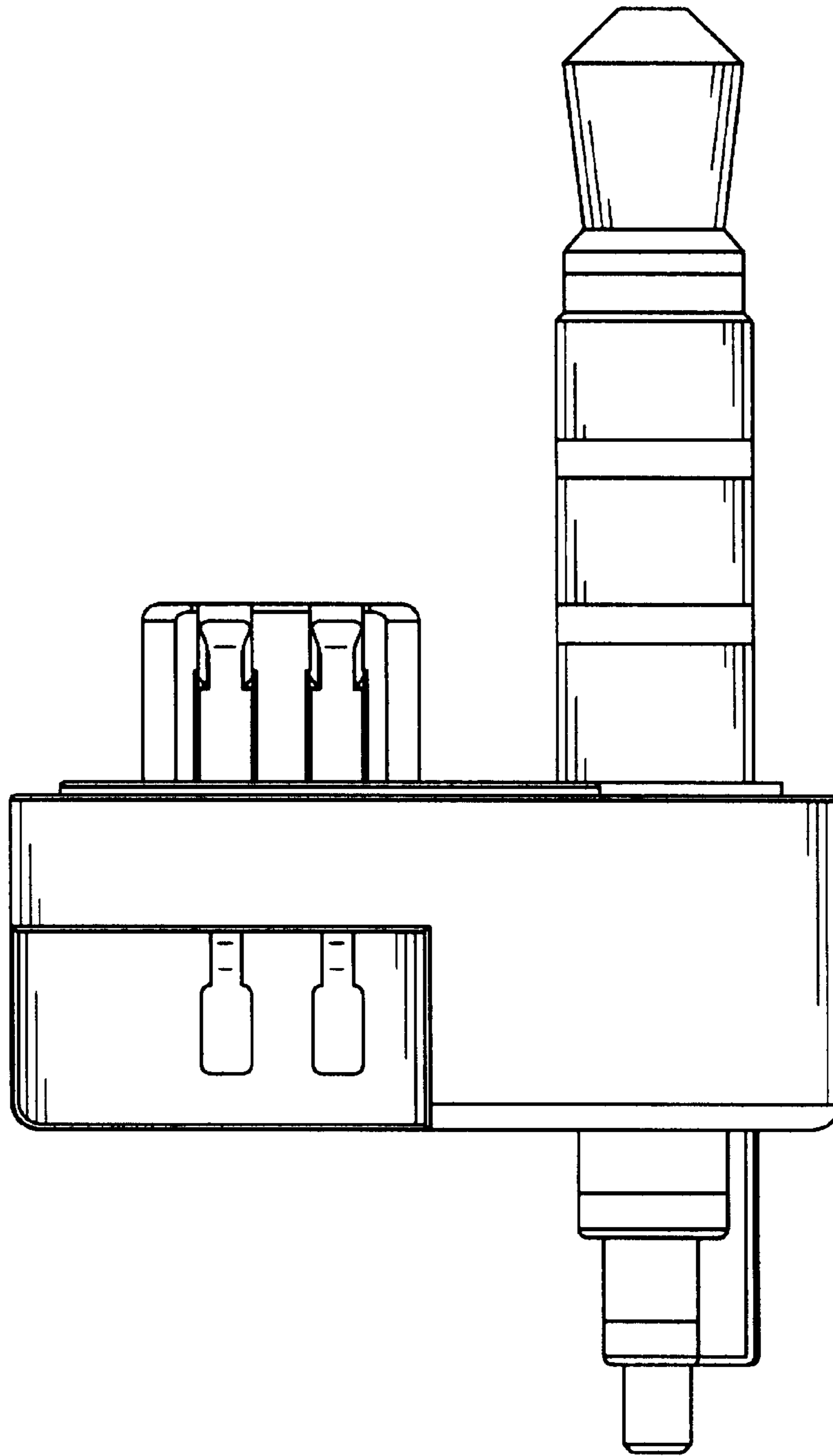


FIG. 7