



US00D482656S

(12) **United States Design Patent**  
**Burwell**

(10) **Patent No.:** **US D482,656 S**

(45) **Date of Patent:** **\*\* Nov. 25, 2003**

(54) **ELECTRICAL CONNECTOR ASSEMBLY**

(75) **Inventor:** **John W. Burwell, Rome City, IN (US)**

(73) **Assignee:** **Lyall Technologies, Inc., Albion, IN (US)**

(\*\*) **Term:** **14 Years**

(21) **Appl. No.:** **29/170,300**

(22) **Filed:** **Nov. 4, 2002**

(51) **LOC (7) Cl.** ..... **13-03**

(52) **U.S. Cl.** ..... **D13/133; D13/156**

(58) **Field of Search** ..... **D13/133, 146, D13/147, 156; 439/135, 358, 519, 521, 484**

(56) **References Cited**

**U.S. PATENT DOCUMENTS**

4,829,223	A	*	5/1989	Broberg et al.	.....	439/34	X
D316,399	S	*	4/1991	Wharton	.....	D13/133	
D348,650	S	*	7/1994	Julian	.....	D13/133	
D371,112	S	*	6/1996	Anthony	.....	D13/146	
D388,054	S	*	12/1997	Eidsvig	.....	D13/133	
5,722,854	A	*	3/1998	Geisler	.....	439/34	X
5,863,221	A	*	1/1999	Castaldo	.....	439/589	
D420,328	S	*	2/2000	Burwell et al.	.....	D13/146	

6,039,602	A	*	3/2000	Witkowski et al.	.....	439/550	
D428,853	S	*	8/2000	Burwell et al.	.....	D13/146	
6,528,746	B2	*	3/2003	DeWitt et al.	.....	200/51.09	

\* cited by examiner

*Primary Examiner*—Joel Sincavage

(74) *Attorney, Agent, or Firm*—Taylor & Aust, P.C.

(57) **CLAIM**

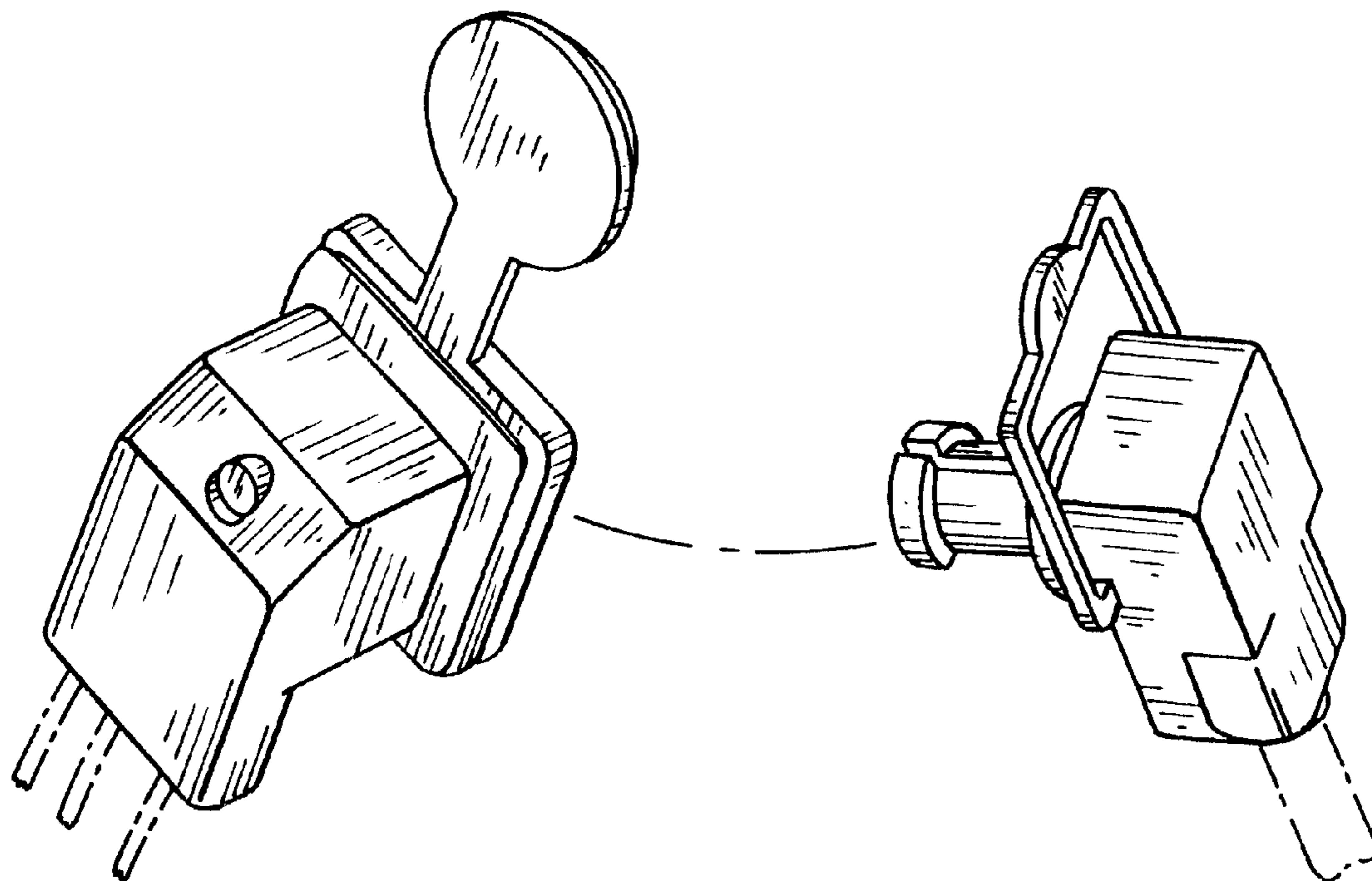
The ornamental design for an electrical connector assembly, as shown and described.

**DESCRIPTION**

FIG. 1 is a perspective view of an electrical connector assembly in a decoupled state, showing my new design; FIG. 2 is a side view thereof in a coupled state, the opposite side view being substantially identical; FIG. 3 is an end view thereof; FIG. 4 is another end view thereof; FIG. 5 is another side view thereof; and, FIG. 6 is yet another side view thereof.

The broken lines showing the conductors in FIGS. 1, 2, 3, 4 and 6 are included for the purpose of illustrating environmental structure only and form no part of the claimed design.

**1 Claim, 2 Drawing Sheets**



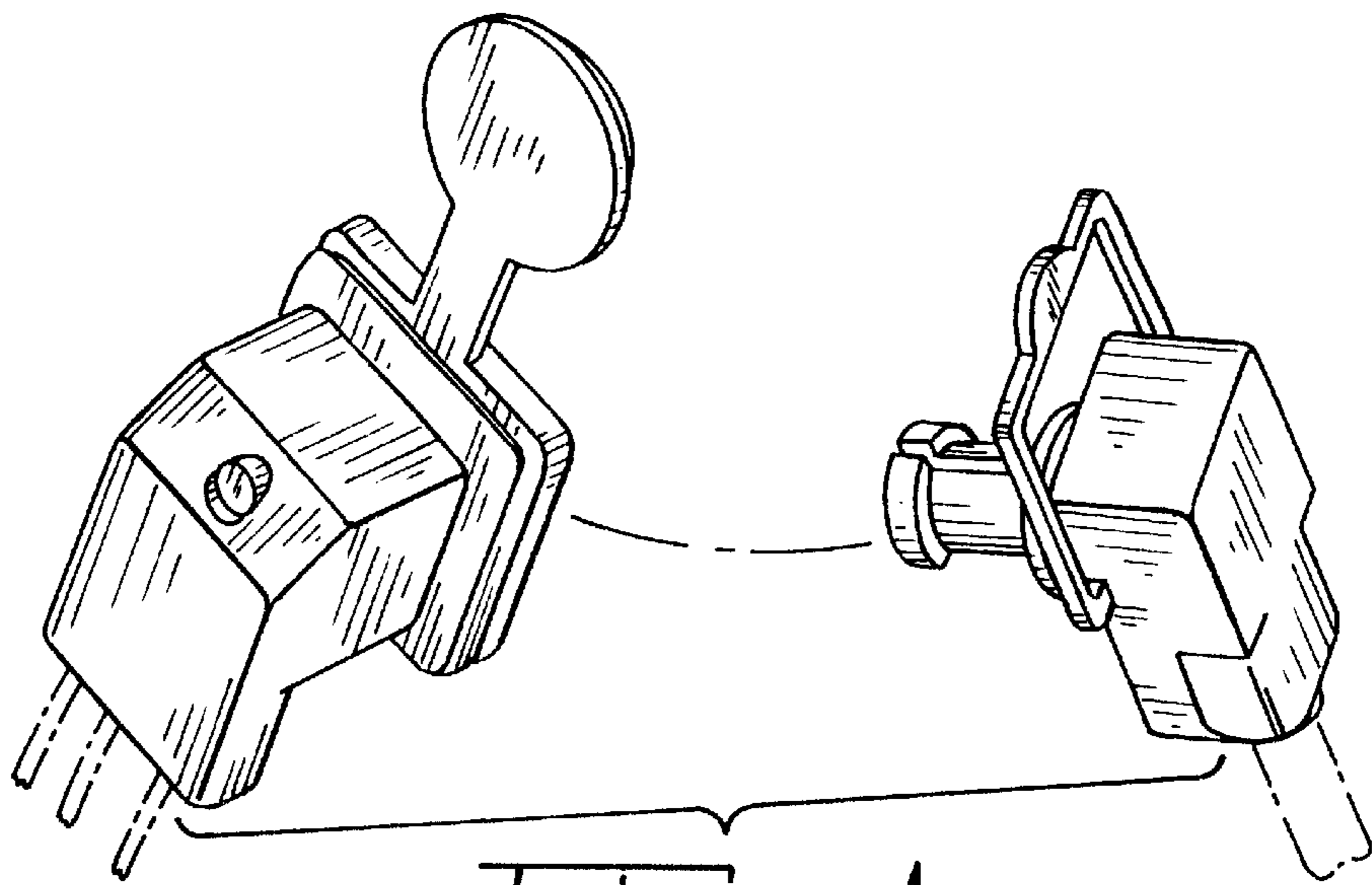


Fig. 1

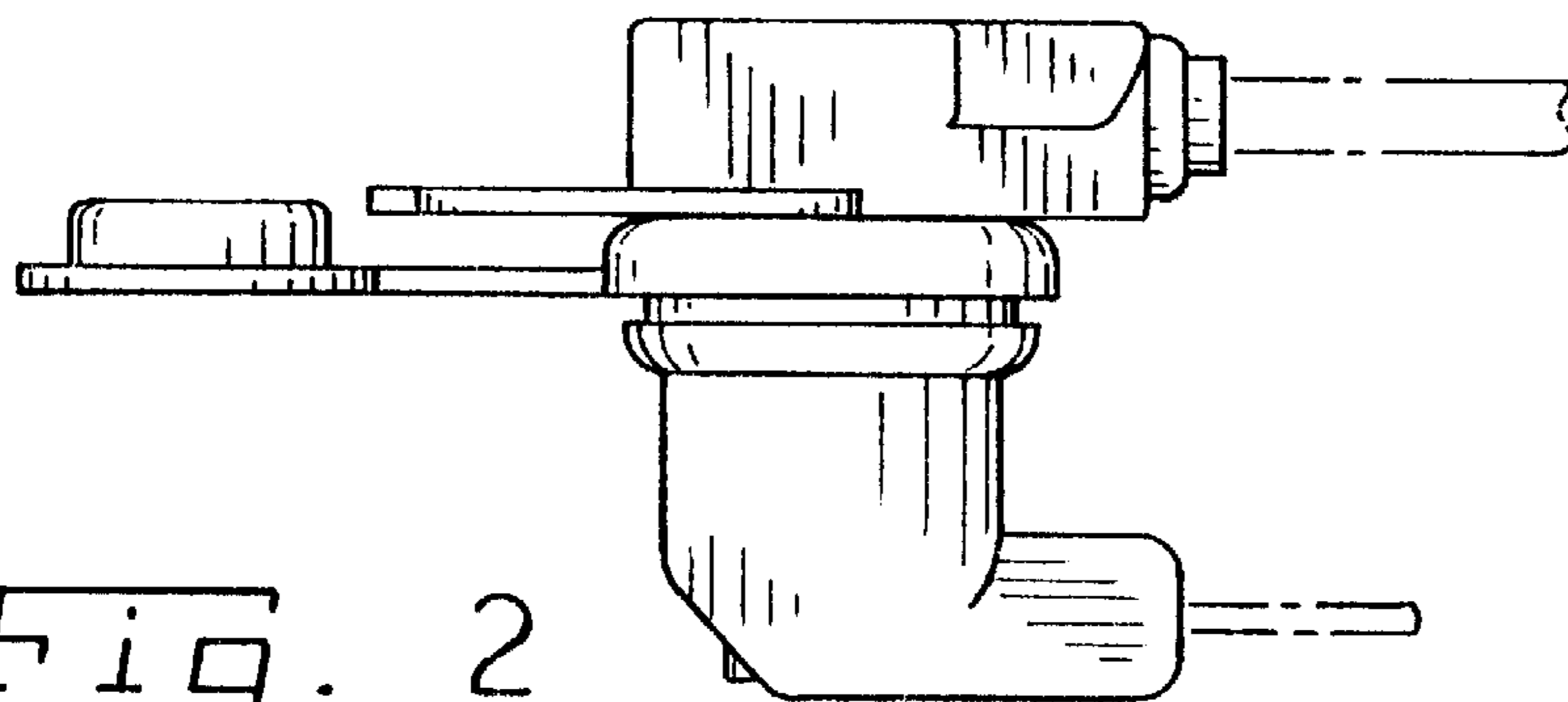


Fig. 2

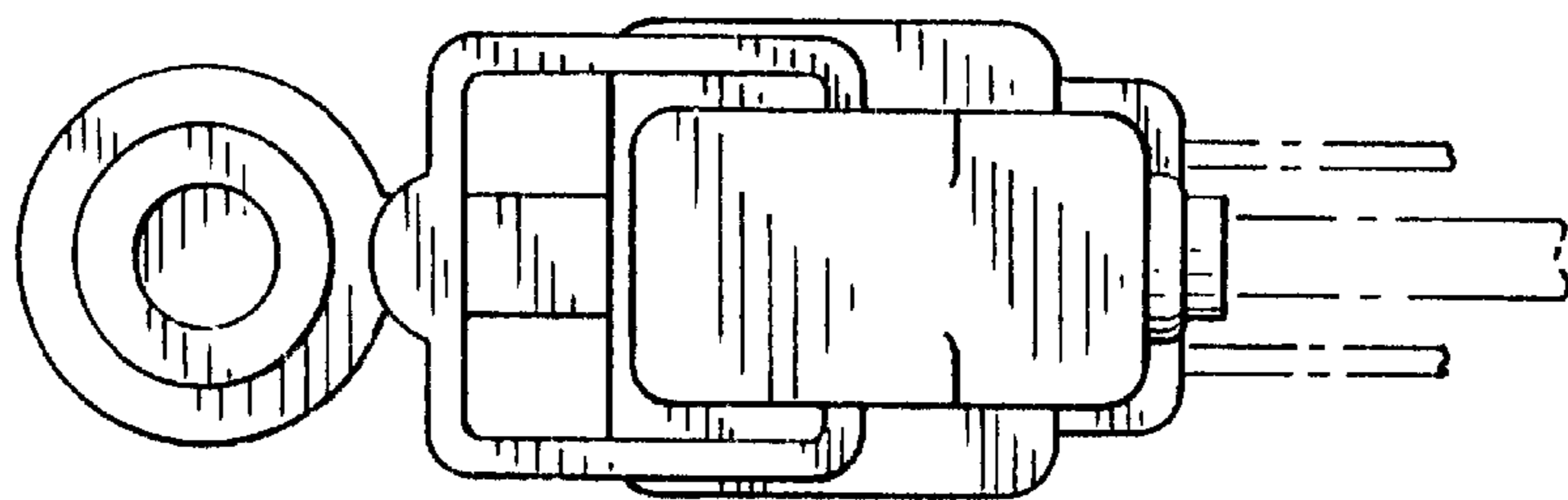


Fig. 3

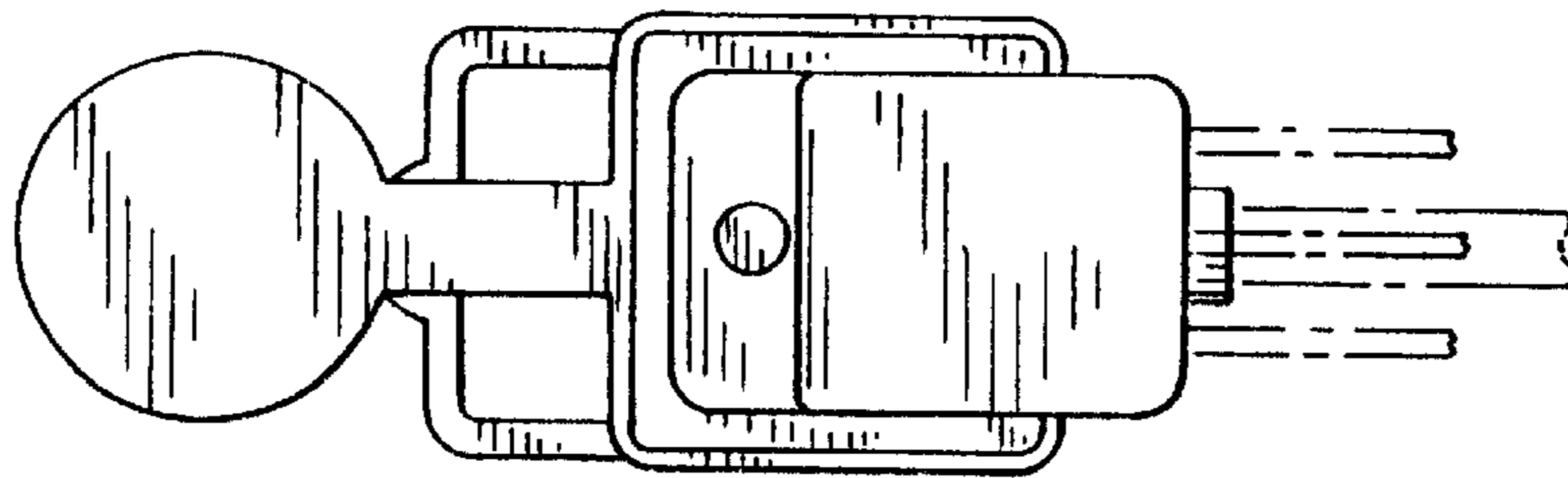


Fig. 4

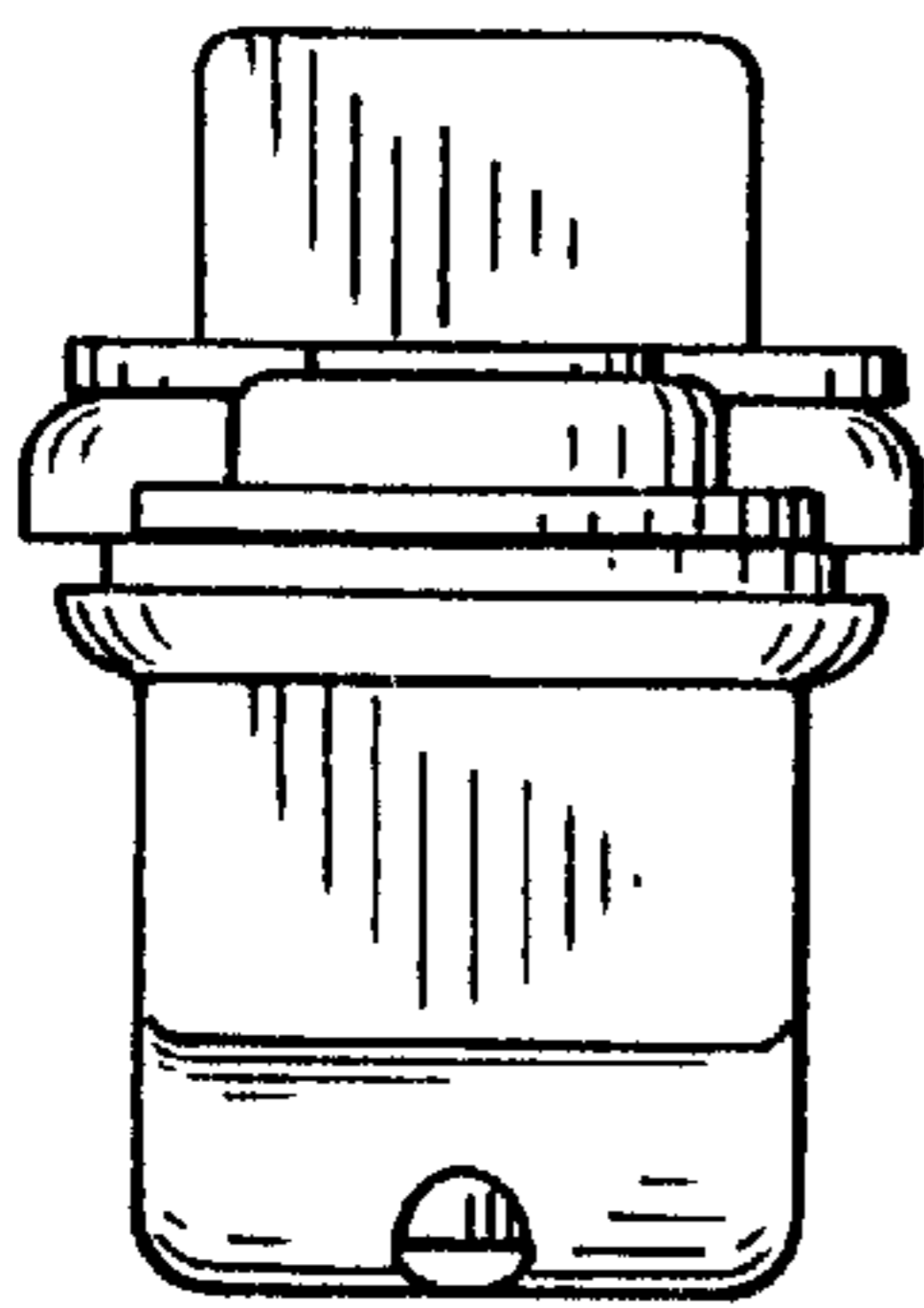


Fig. 5

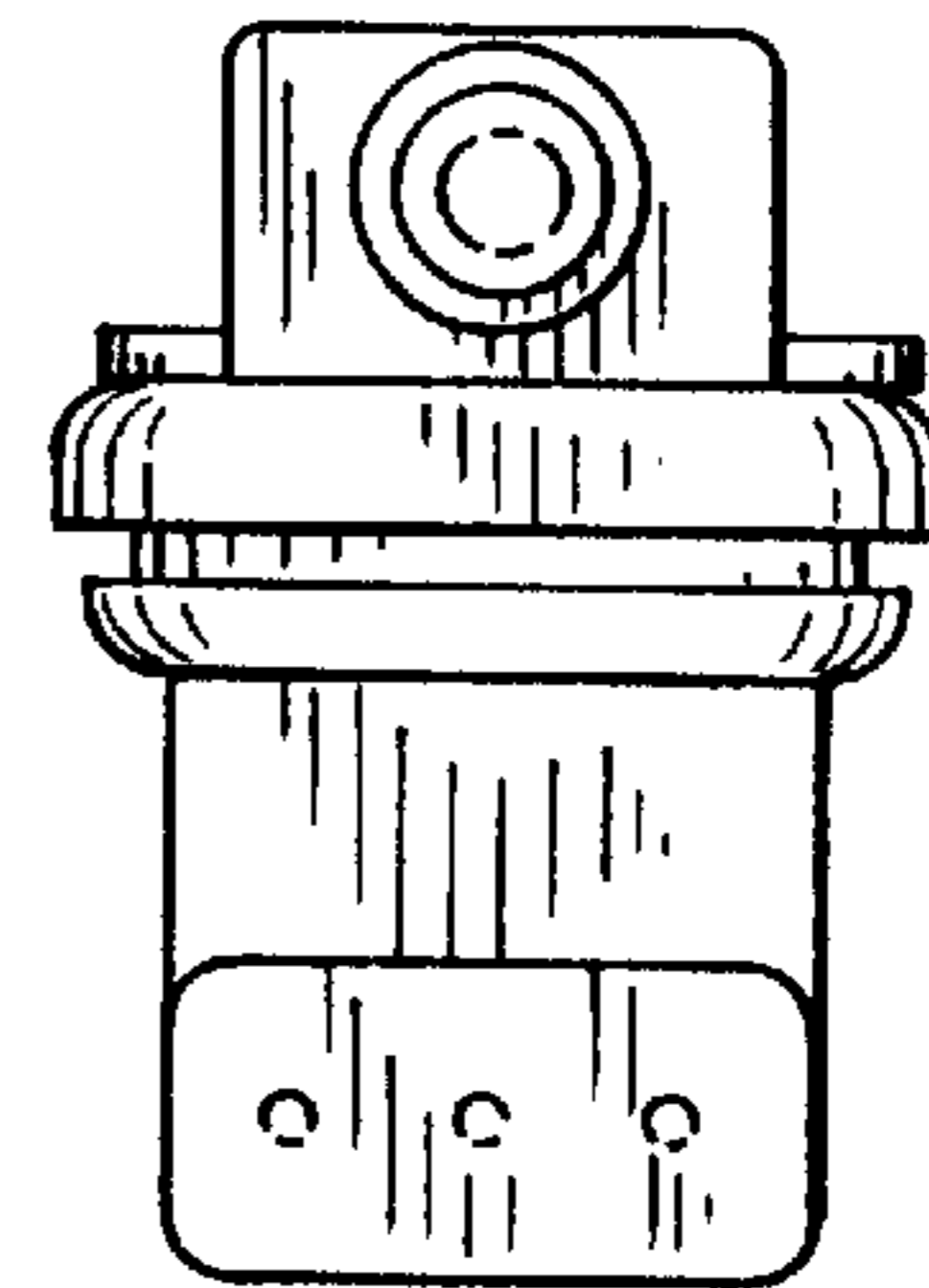


Fig. 6