



US00D482653S

(12) **United States Design Patent**  
**Cho**

(10) **Patent No.:** **US D482,653 S**

(45) **Date of Patent:** **\*\* Nov. 25, 2003**

(54) **UNINTERRUPTIBLE POWER SUPPLY**

D433,994 S \* 11/2000 Jobs et al. .... D13/110

\* cited by examiner

(76) Inventor: **Albert Cho**, 3F, No. 1, Lane 37,  
Ming-Yuan St., San-Chung City, Taipei  
Hsien (TW)

*Primary Examiner*—Holly Baynham  
(74) *Attorney, Agent, or Firm*—Birch, Stewart, Kolasch &  
Birch, LLP

(\*\*) Term: **14 Years**

(57) **CLAIM**

(21) Appl. No.: **29/159,824**

The ornamental design for “uninterruptible power supply”,  
as shown and described.

(22) Filed: **Apr. 30, 2002**

**DESCRIPTION**

(51) **LOC (7) Cl.** ..... **13-01**

(52) **U.S. Cl.** ..... **D13/110**

(58) **Field of Search** ..... D13/110; 361/752;  
307/64, 150–151; 363/141, 144

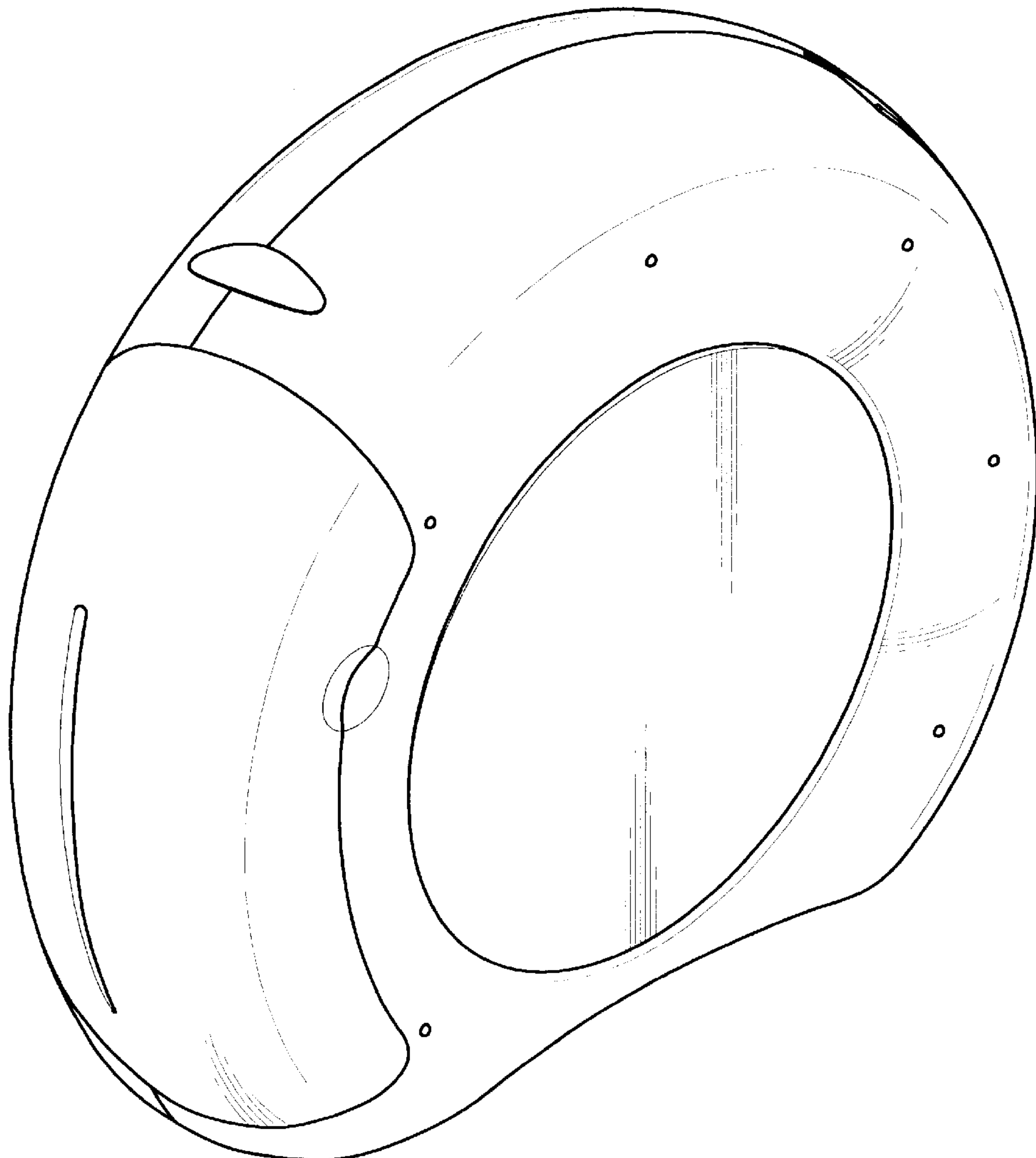
FIG. 1 is a perspective view of “uninterruptible power  
supply” showing our new design thereof;  
FIG. 2 is a right side elevational view;  
FIG. 3 is a top plan view thereof;  
FIG. 4 is a front side elevational view;  
FIG. 5 is a bottom plan view;  
FIG. 6 is left side elevational view; and,  
FIG. 7 is a rear side elevational view.

(56) **References Cited**

**U.S. PATENT DOCUMENTS**

D390,532 S \* 2/1998 Su ..... D13/110  
D414,476 S \* 9/1999 Hibino ..... D14/358

**1 Claim, 4 Drawing Sheets**



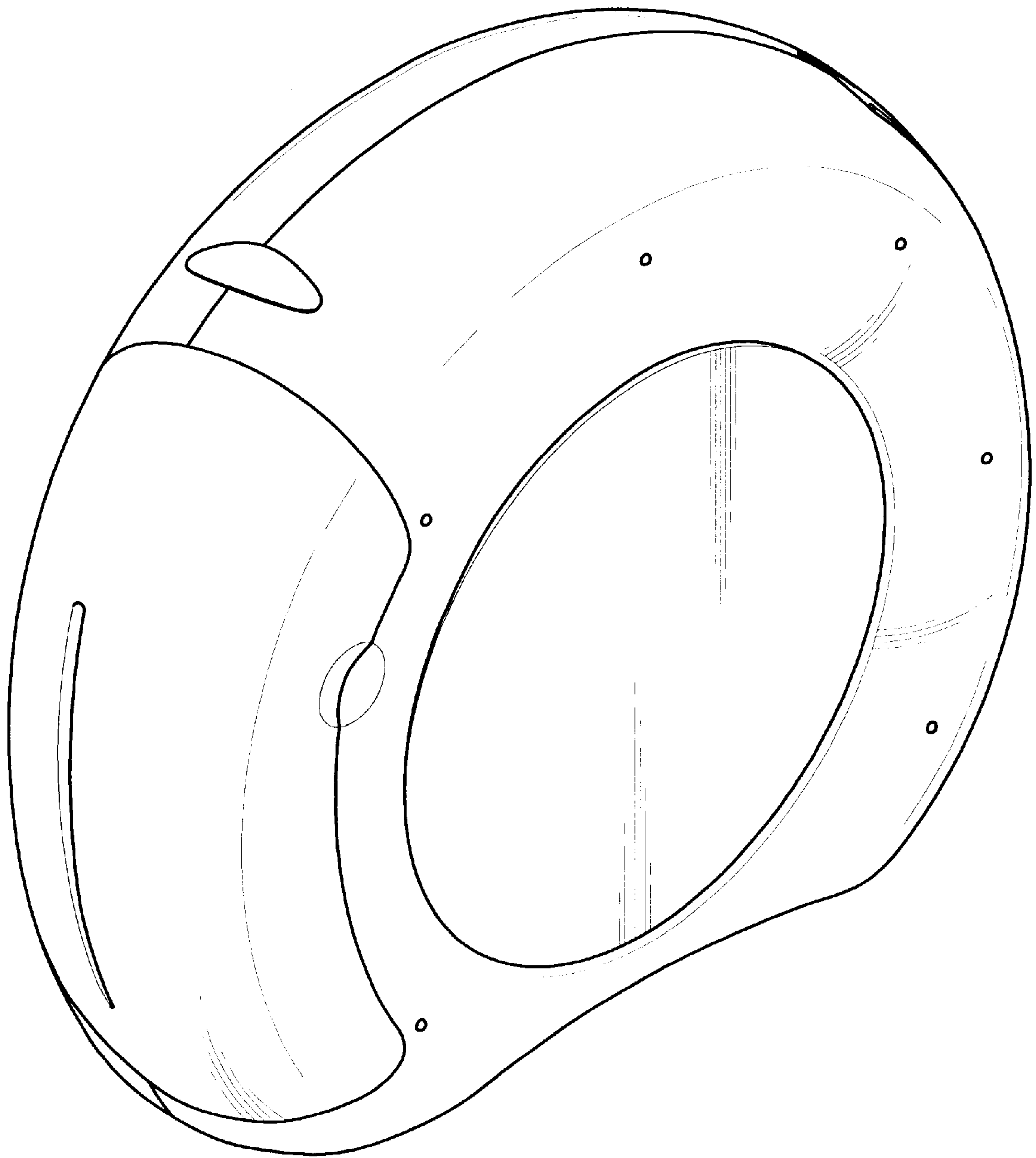


Fig. 1

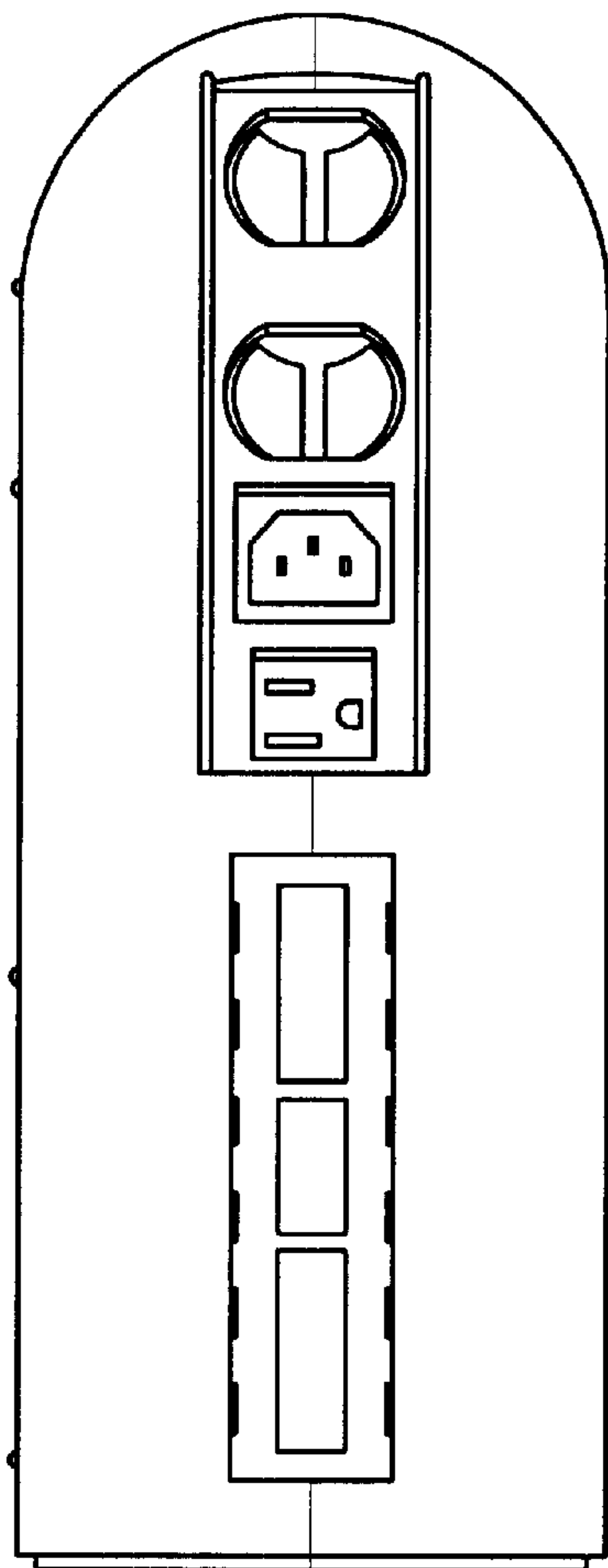


Fig.2

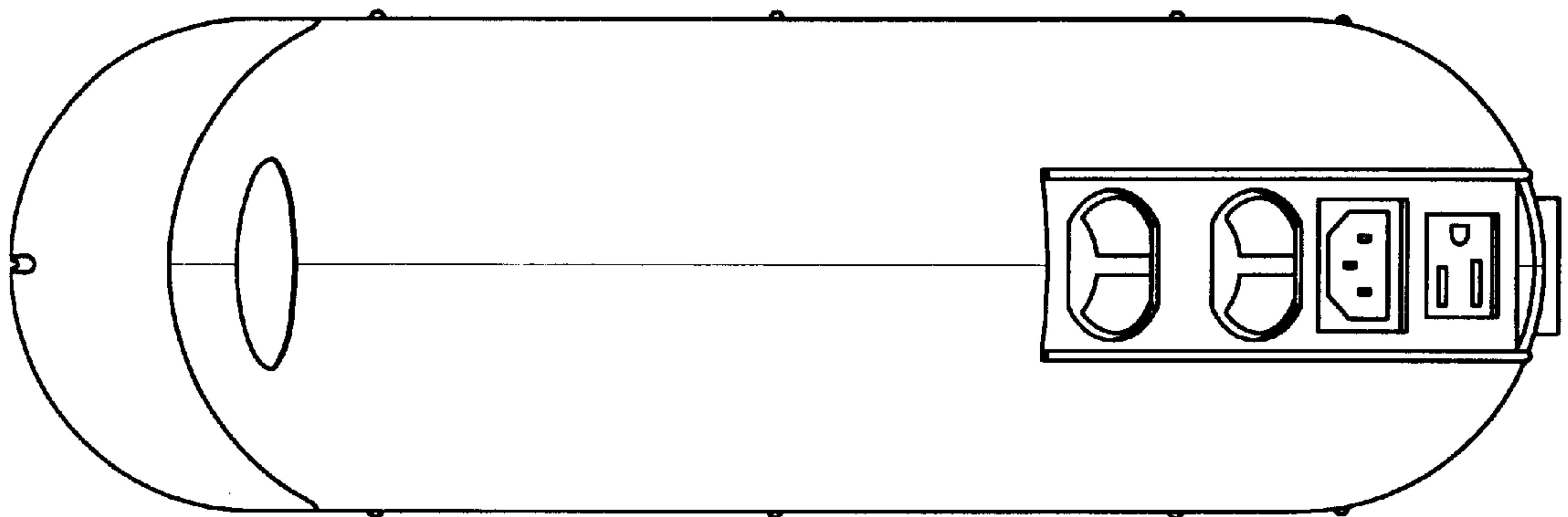


Fig.3

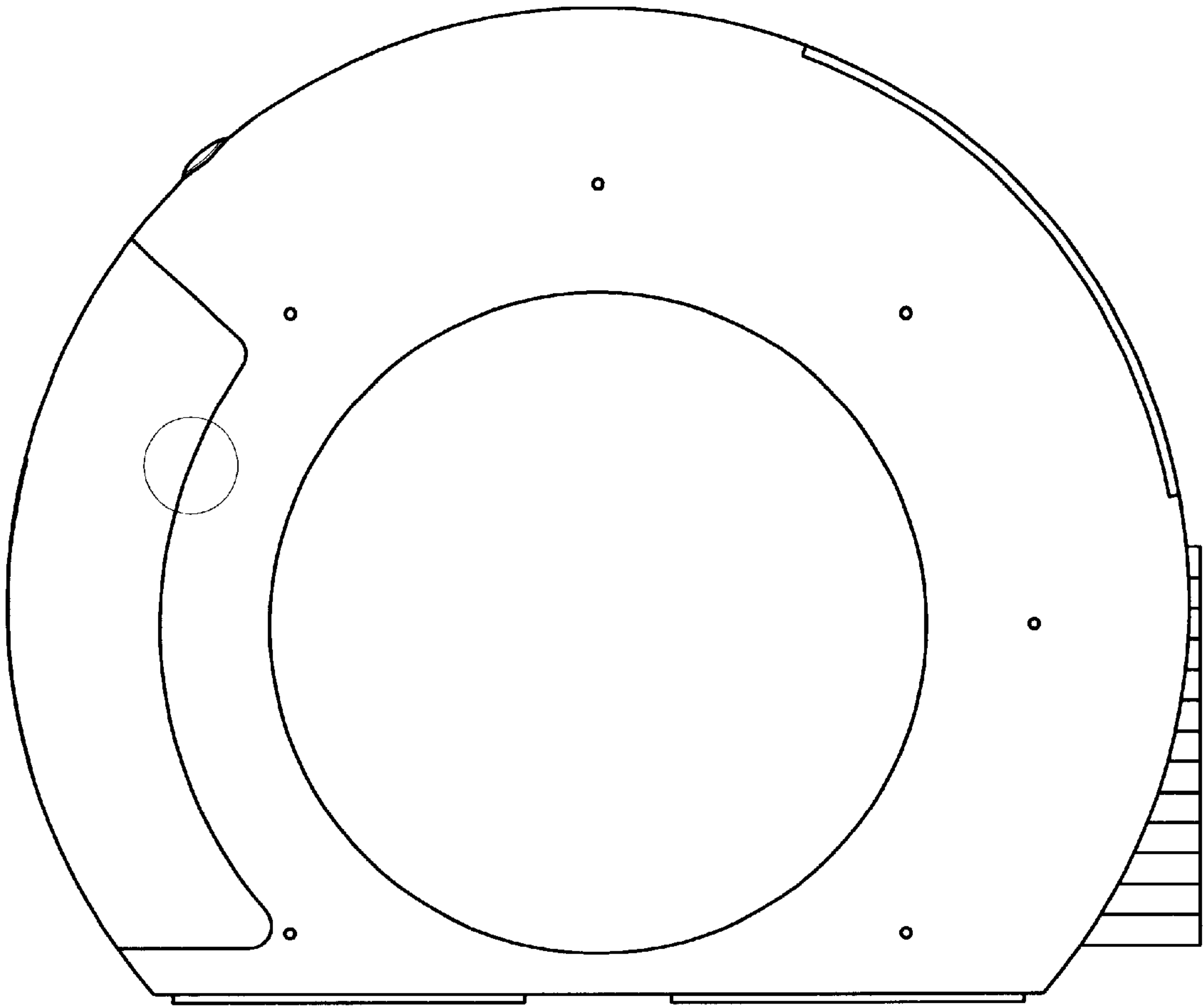


Fig.4

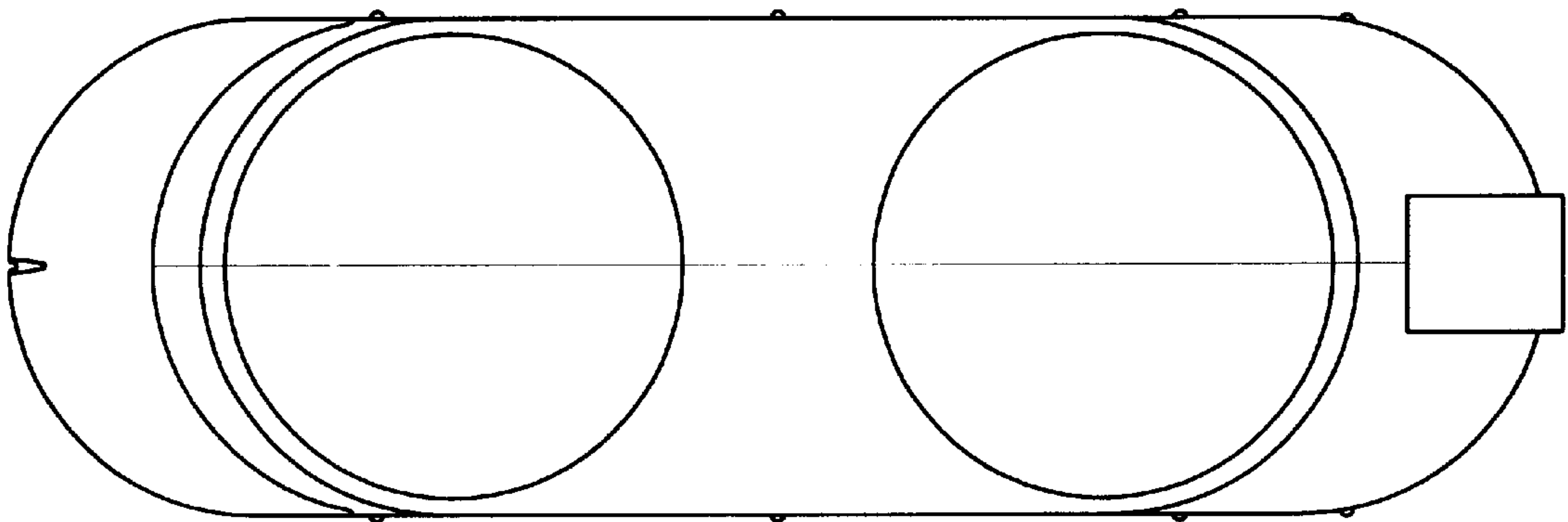


Fig.5

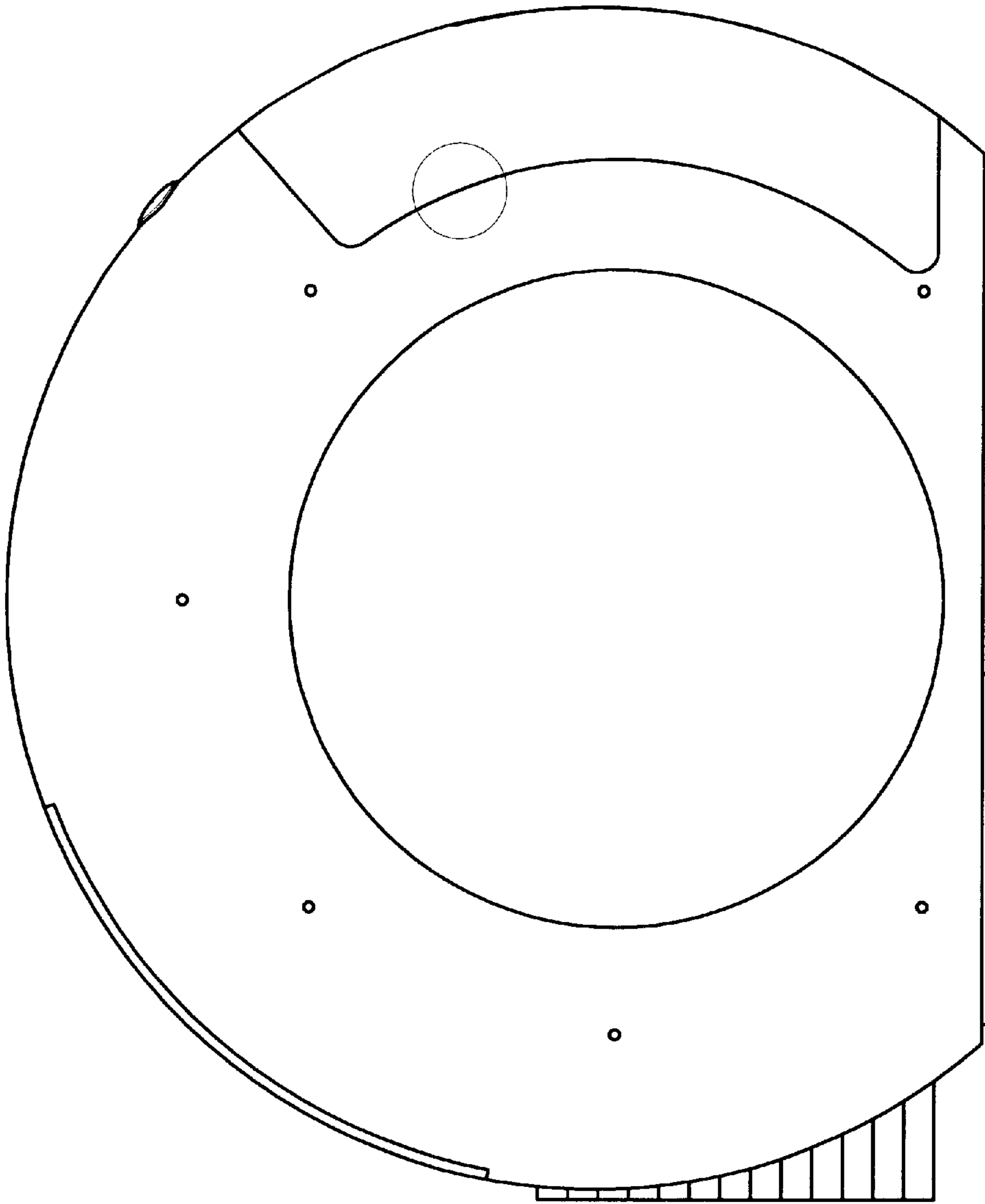


Fig. 6

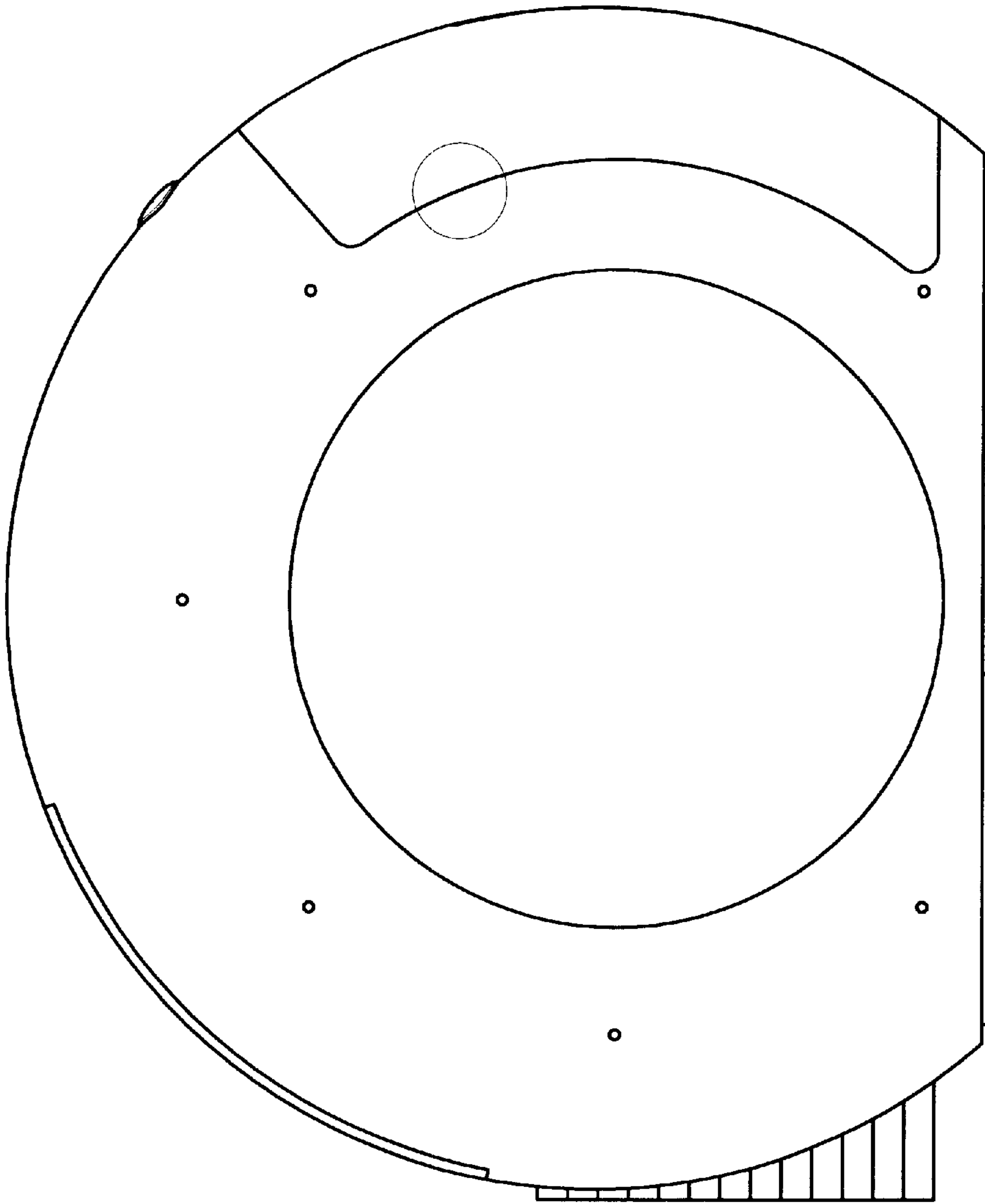


Fig. 7