



US00D482649S

(12) **United States Design Patent**
Eck

(10) **Patent No.:** **US D482,649 S**

(45) **Date of Patent:** **** Nov. 25, 2003**

(54) **SET OF ELEMENTS OF A WAKEBOARD TOWER**

(75) **Inventor:** **Richard E. Eck**, Mount Vernon, IL (US)

(73) **Assignee:** **Bombardier Motor Corporation of America**, Grant, FL (US)

(**) **Term:** **14 Years**

(21) **Appl. No.:** **29/166,316**

(22) **Filed:** **Aug. 27, 2002**

Related U.S. Application Data

(62) Division of application No. 29/154,734, filed on Jan. 25, 2002, now Pat. No. Des. 465,194, which is a division of application No. 29/157,129, filed on Mar. 14, 2002, now Pat. No. Des. 468,254.

(51) **LOC (7) Cl.** **12-06**

(52) **U.S. Cl.** **D12/317**

(58) **Field of Search** D12/300-317;
114/253, 254, 242

(56) **References Cited**

U.S. PATENT DOCUMENTS

D409,972 S * 5/1999 Todd D12/317
6,192,819 B1 * 2/2001 Larson et al. 114/253
D442,910 S * 5/2001 Metcalf D12/317
2001/0045182 A1 * 11/2001 Roeseler et al. 114/253

OTHER PUBLICATIONS

<http://www.caribecatalog.com/store.asp>, Copyright 2002.
<http://www.boardsparadisewakeboardingshop.com/store/shop.mpl>, Copyright 2001-2002.
<http://www.waketower.com/>, Copyright 2001-2002.

<http://www.bossaccessories.com/>, Copyright 2002.
<http://www.skylonsports.com/>, Copyright 2001.
<http://www.mastercraft.com/>, Copyright 2001.
<http://www.tige.com/home.htm/>, Copyright 2001.
<http://www.malibuboats.com/>, Copyright 2001.
http://www.skinautique.com/index_13_flash.cfm/, Copyright 2002.

* cited by examiner

Primary Examiner—Lisa Lichtenstein
(74) *Attorney, Agent, or Firm*—Pillsbury Winthrop LLP

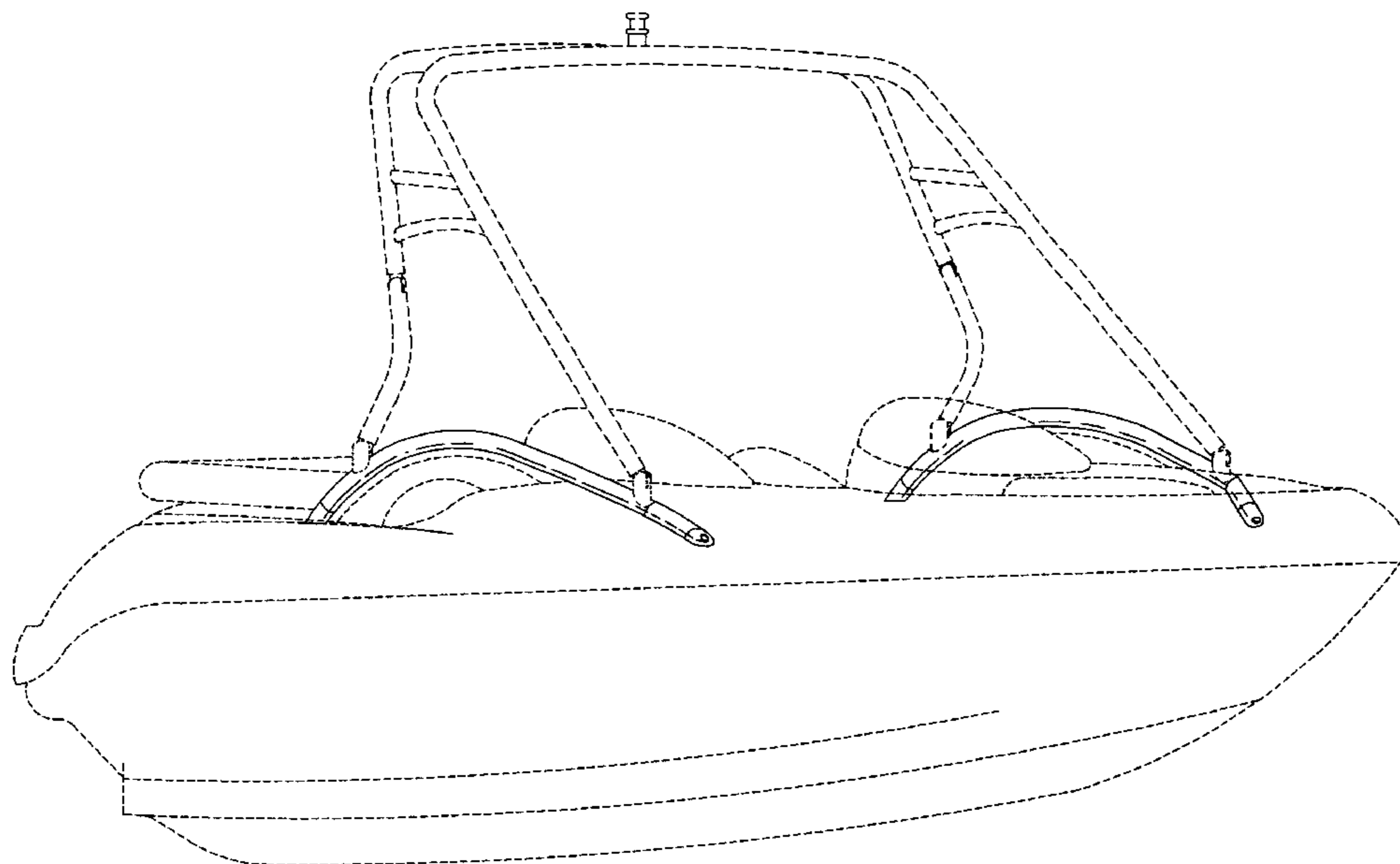
(57) **CLAIM**

The ornamental design for a set of elements of a wakeboard tower, as shown and described.

DESCRIPTION

FIG. 1 is a perspective illustration, from the front and right side, of a first embodiment of set of elements of the wakeboard tower according to my design;
FIG. 2 is a top view thereof;
FIG. 3 is a right side view thereof, the left side view being a mirror image of the right side view;
FIG. 4 is a front view thereof;
FIG. 5 is a rear view thereof;
FIG. 6 is a perspective illustration, from the front and right side, of a second embodiment of elements of the wakeboard tower according to my design;
FIG. 7 is a top view of FIG. 6;
FIG. 8 is a right side view of FIG. 6, the left side view being a mirror image of the right side view;
FIG. 9 is a front view of FIG. 6; and,
FIG. 10 is a rear view of FIG. 6.
Where included, broken lines showing environment or structure are for illustrative purposes only and form no part of the claimed design.

1 Claim, 6 Drawing Sheets



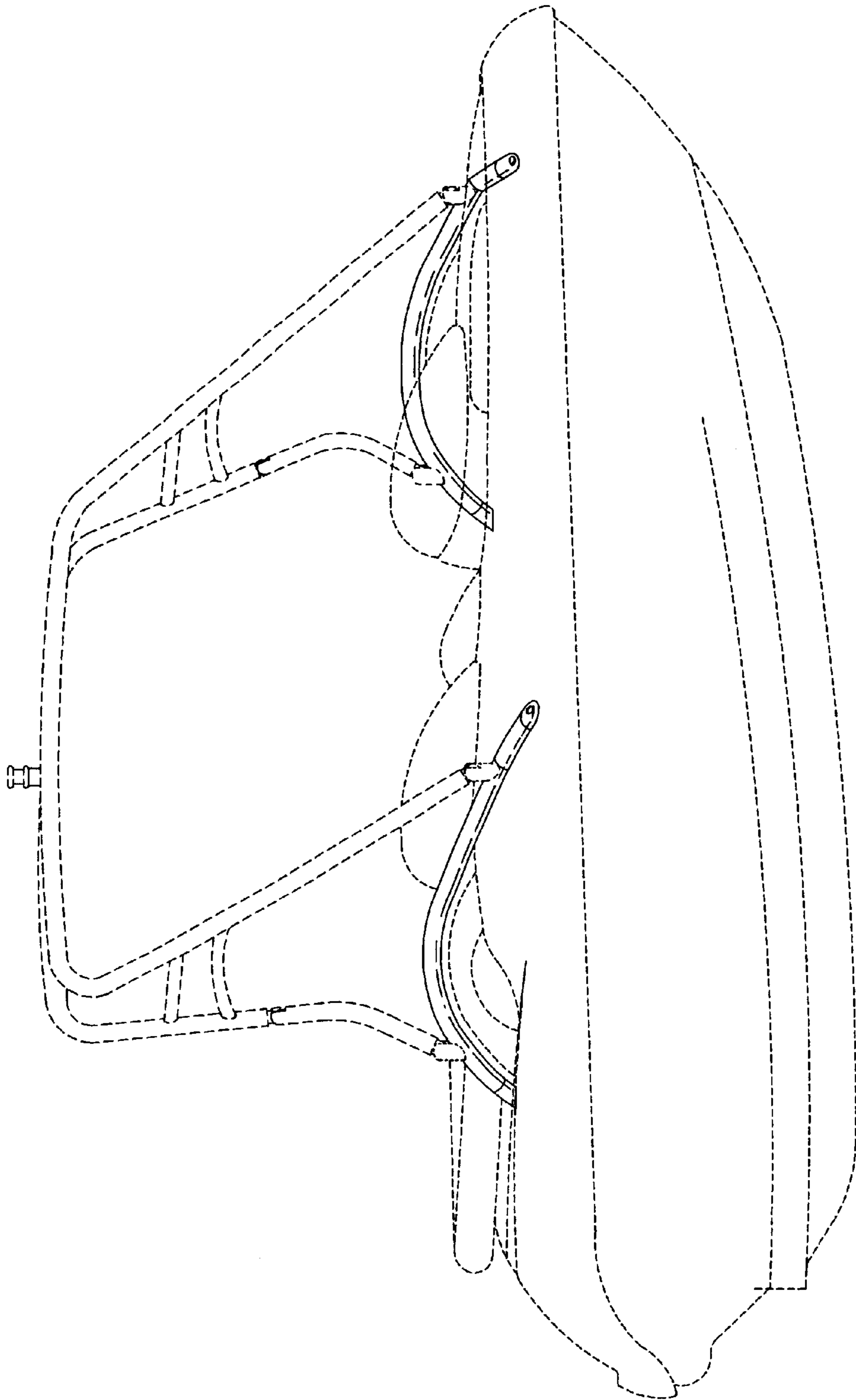


FIG. 1

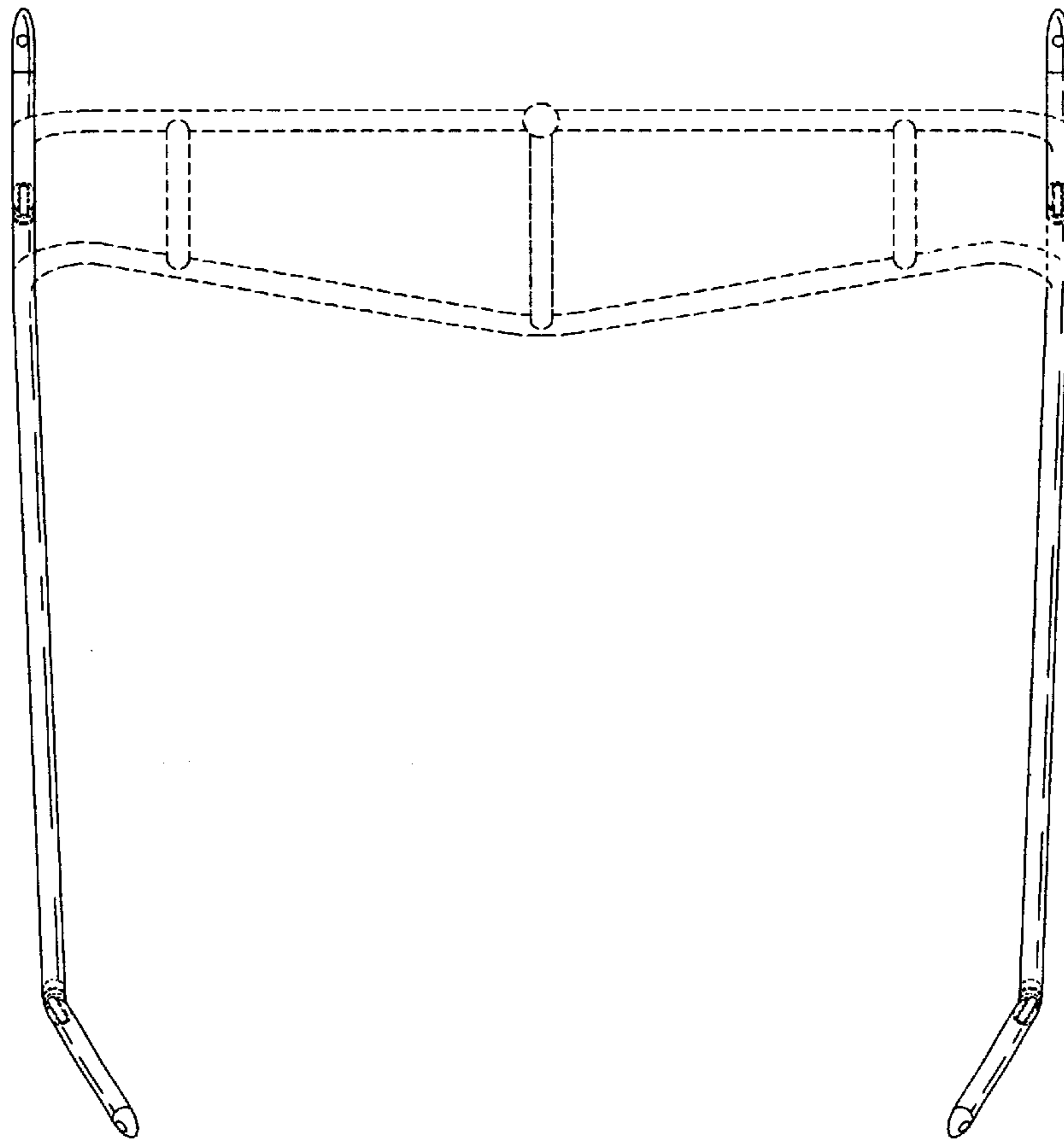


FIG. 2

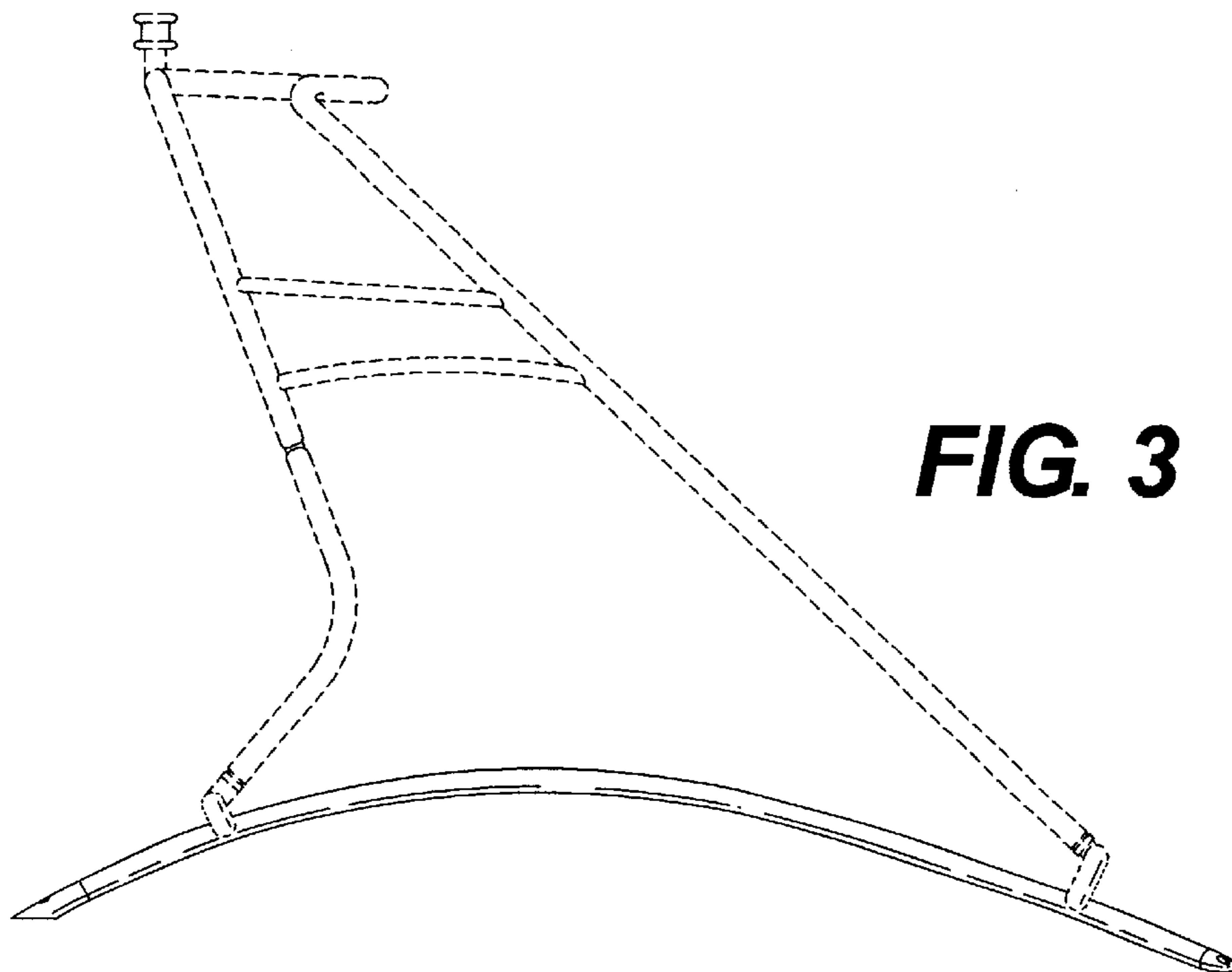


FIG. 3

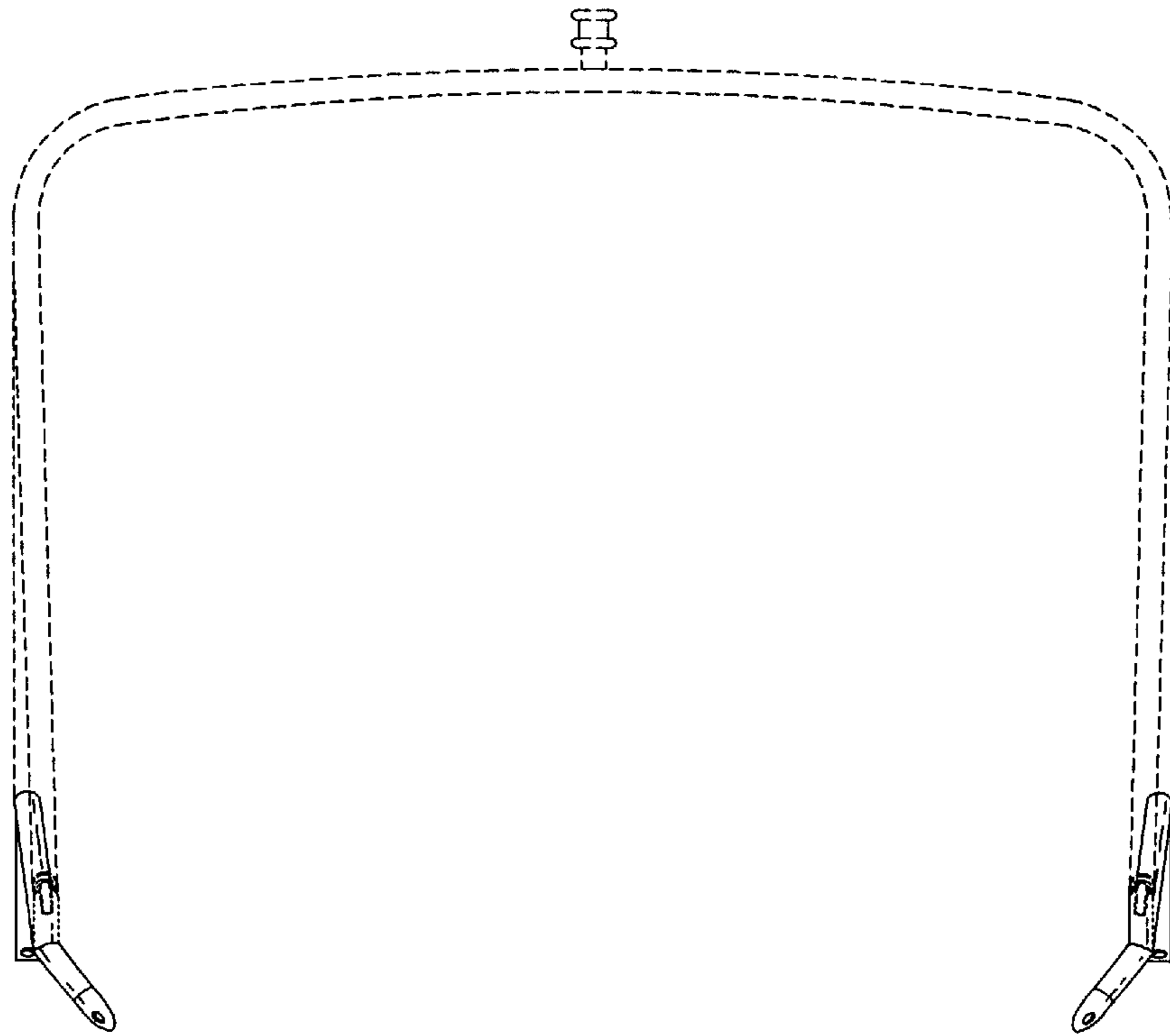


FIG. 4

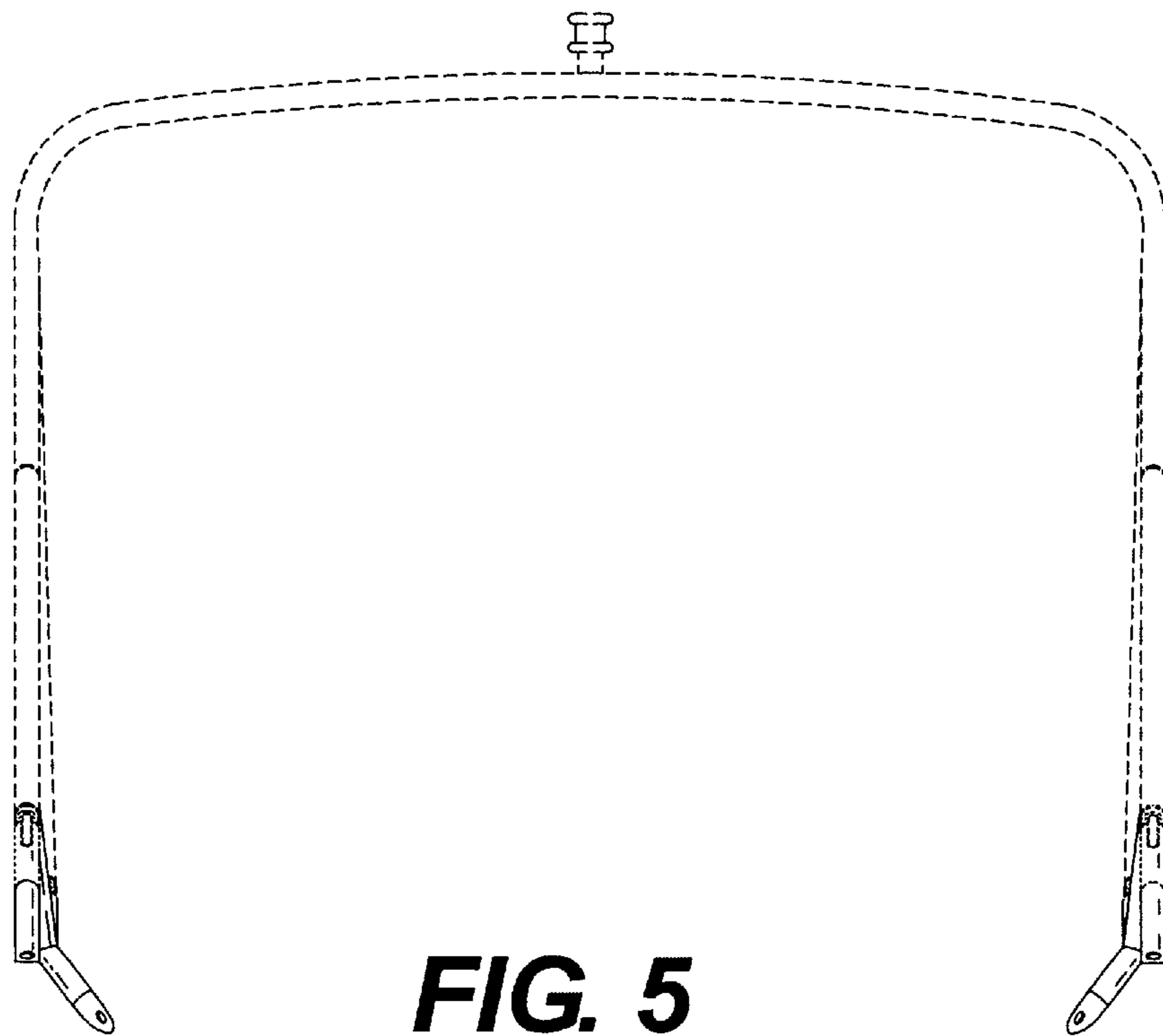


FIG. 5

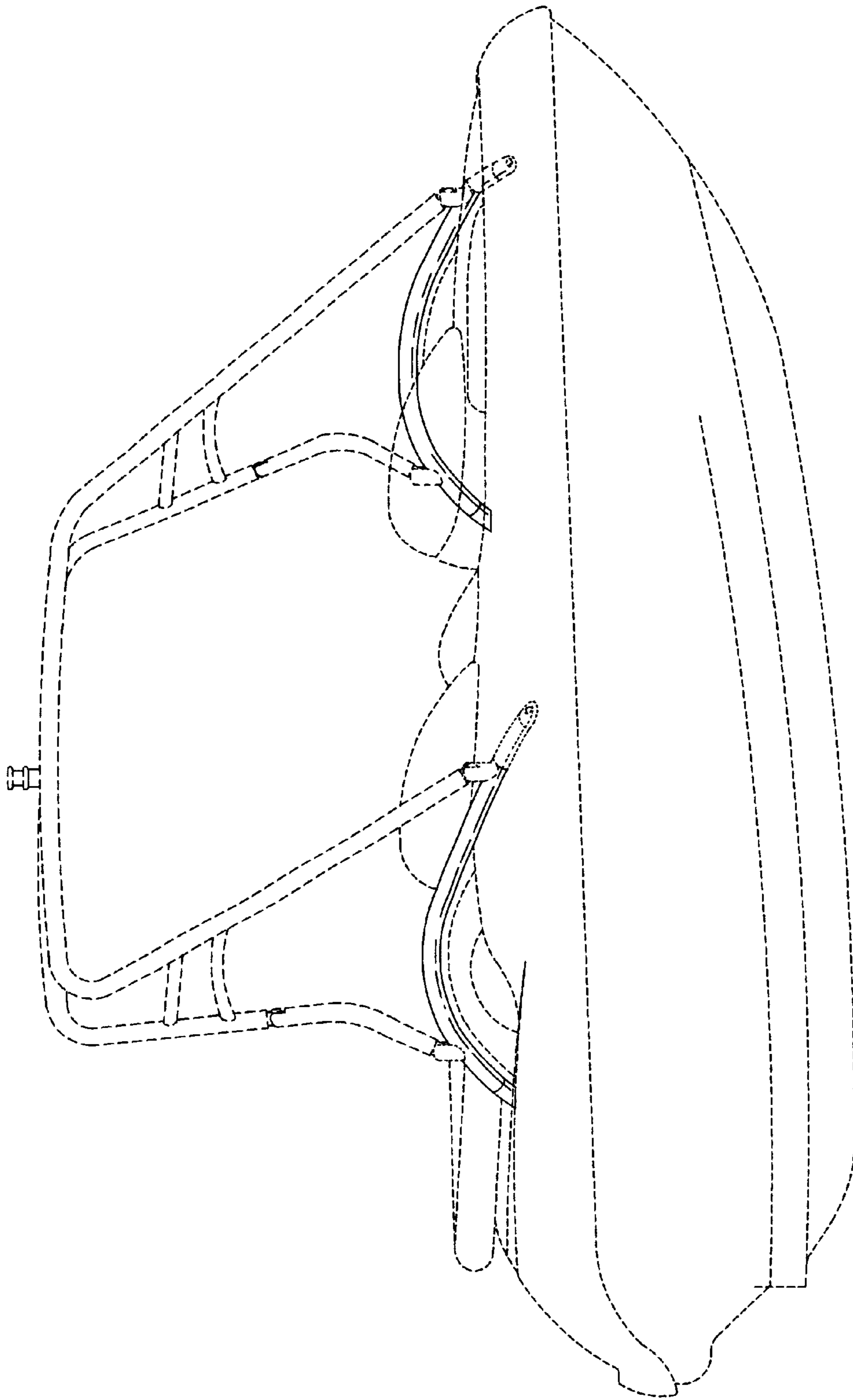


FIG. 6

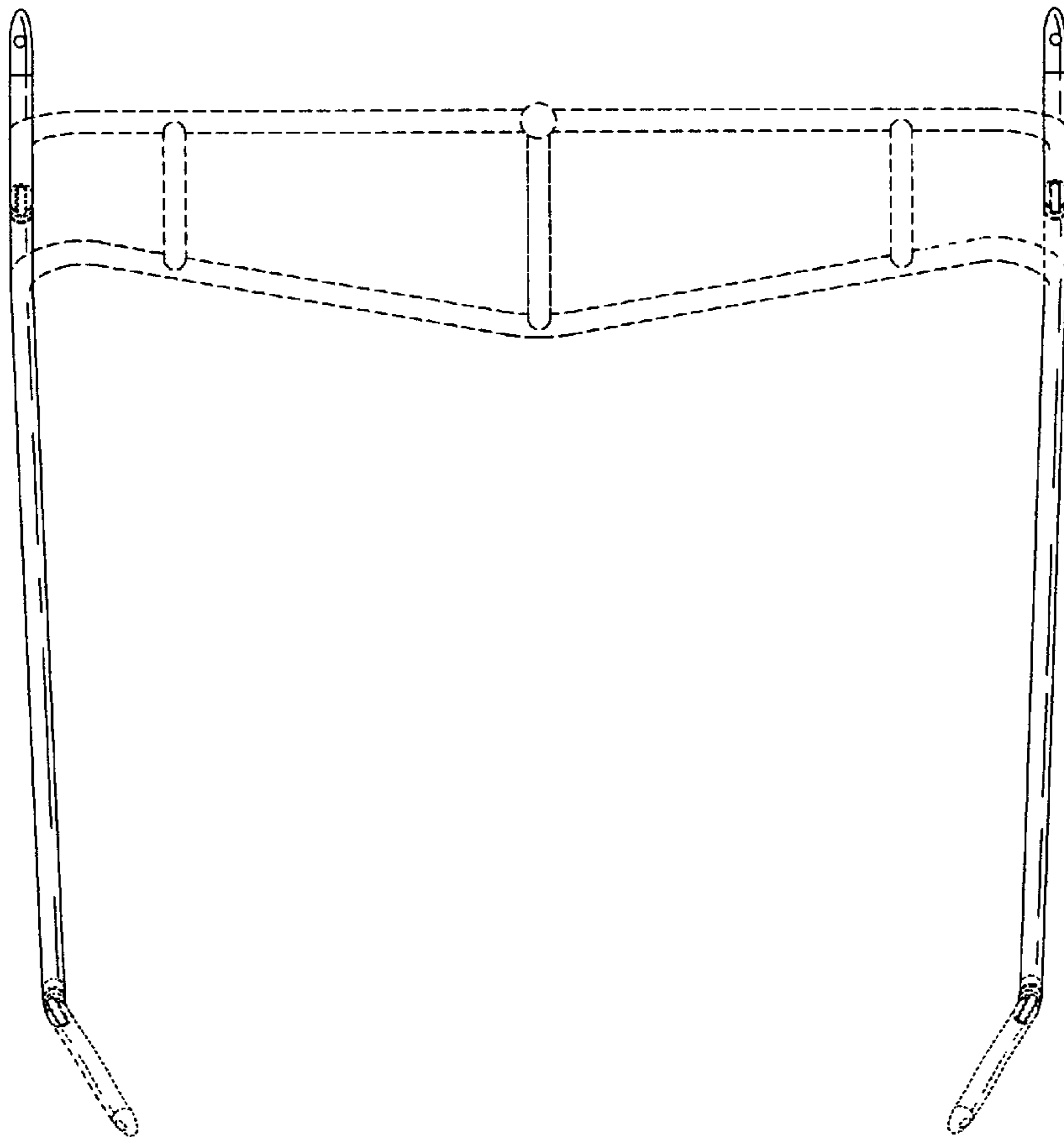


FIG. 7

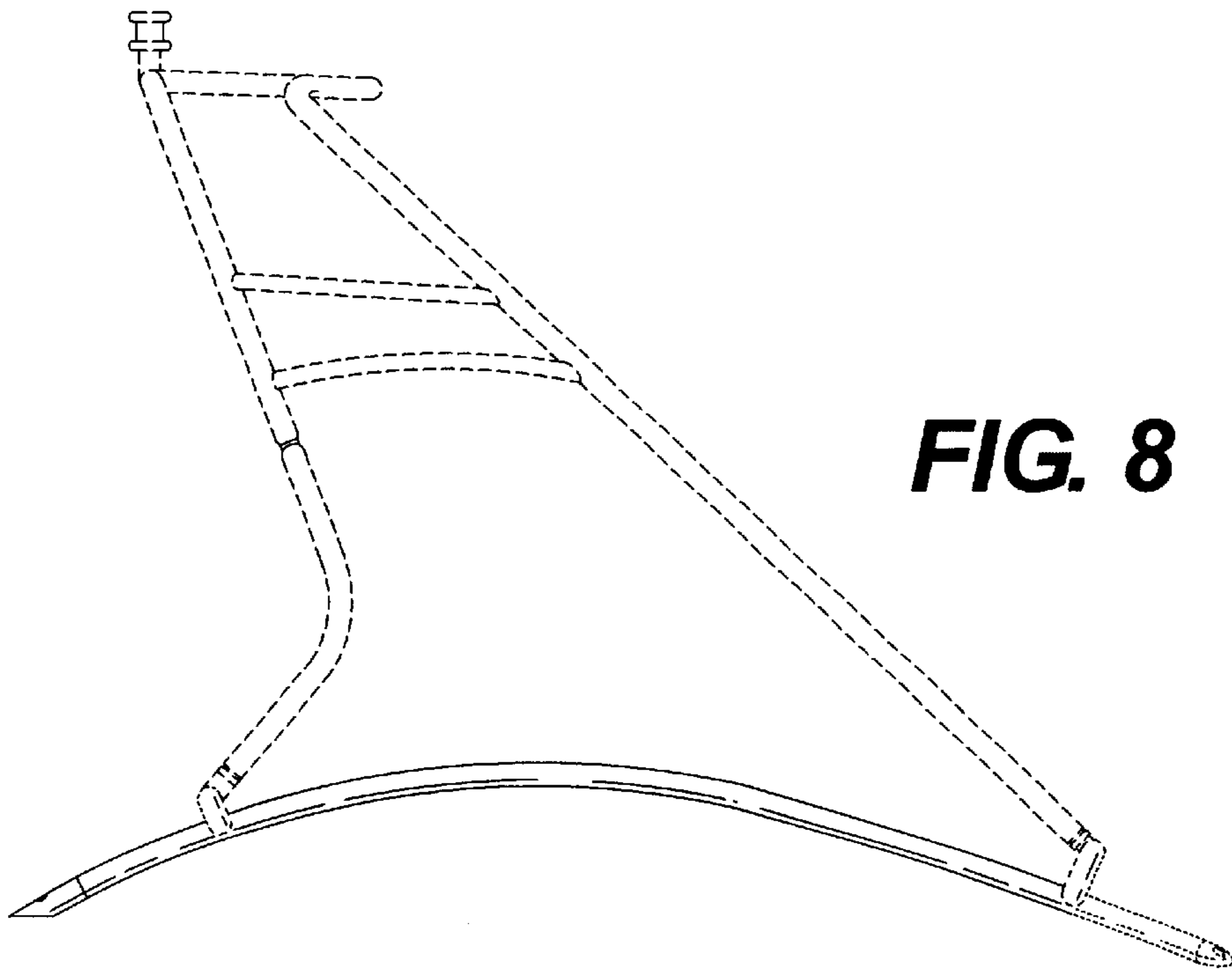


FIG. 8

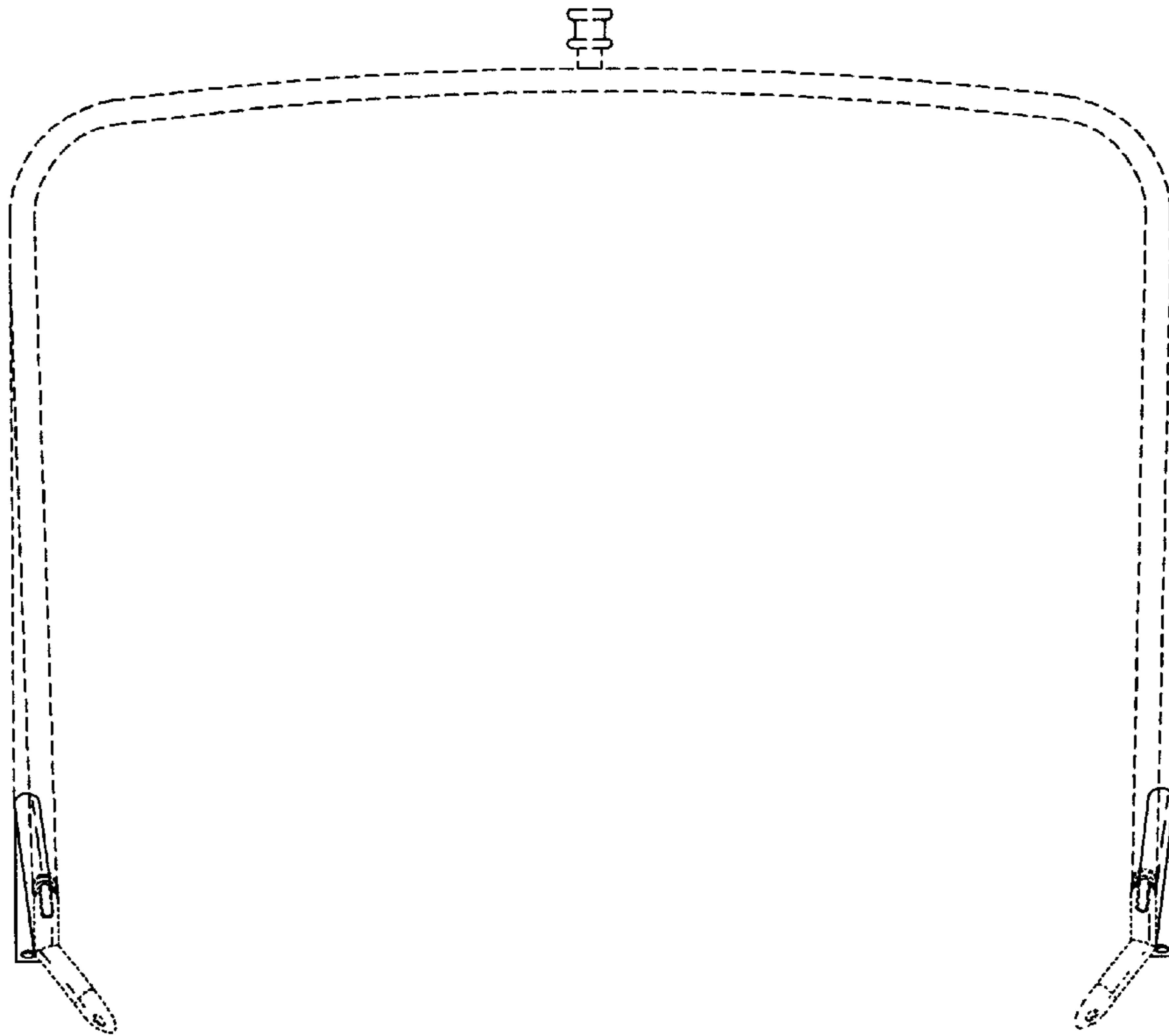


FIG. 9

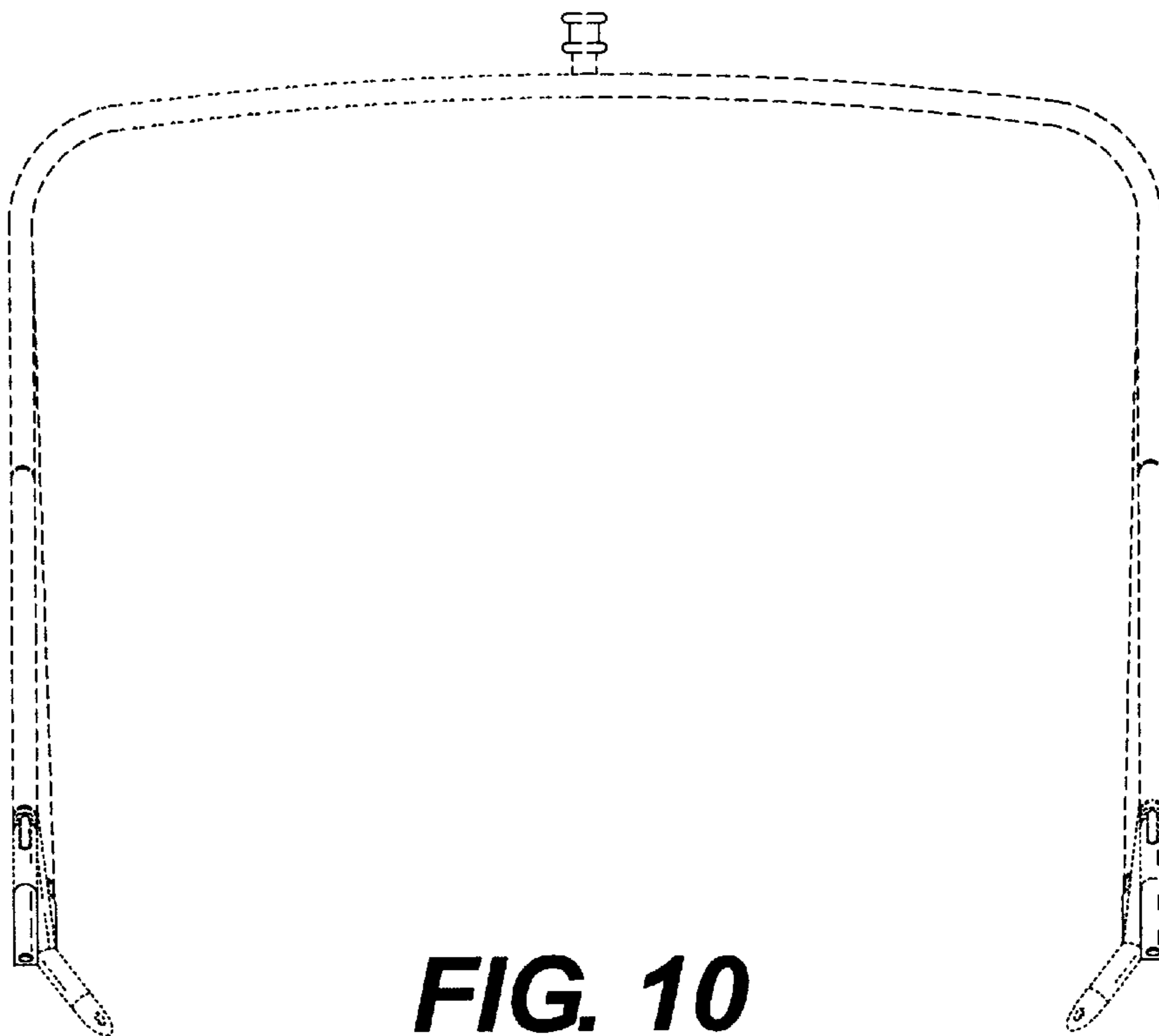


FIG. 10