



US00D482647S

(12) **United States Design Patent**  
**Lecher et al.**

(10) **Patent No.:** **US D482,647 S**

(45) **Date of Patent:** **\*\* Nov. 25, 2003**

(54) **FRONT FACE OF A VEHICLE WHEEL**

(75) Inventors: **Franz Lecher**, Sindelfingen (DE);  
**Michael Plessing**, Renningen (DE)

(73) Assignee: **DaimlerChrysler AG**, Stuttgart (DE)

(\*\*) Term: **14 Years**

(21) Appl. No.: **29/166,865**

(22) Filed: **Sep. 6, 2002**

(30) **Foreign Application Priority Data**

Mar. 8, 2002 (DE) ..... 4 02 02 083

(51) **LOC (7) Cl.** ..... **12-16**

(52) **U.S. Cl.** ..... **D12/211**

(58) **Field of Search** ..... D12/204-211;  
301/37.101, 64.101, 65

(56) **References Cited**

**U.S. PATENT DOCUMENTS**

- D84,319 S \* 6/1931 Beutke et al. .... D12/211
- D360,179 S \* 7/1995 Fuller ..... D12/211
- D388,047 S \* 12/1997 Pfeiffer et al. .... D12/211
- D401,899 S \* 12/1998 Pfeiffer ..... D12/209
- D409,968 S \* 5/1999 Goplen ..... D12/211
- D427,131 S \* 6/2000 Wang ..... D12/211

- D451,066 S \* 11/2001 Pfeiffer et al. .... D12/211
- D454,825 S \* 3/2002 Amantino ..... D12/211
- D460,032 S \* 7/2002 Mattin ..... D12/209
- D471,144 S \* 3/2003 Pfeiffer ..... D12/209
- D471,852 S \* 3/2003 Pfeiffer et al. .... D12/211
- D475,961 S \* 6/2003 Pfeiffer et al. .... D12/211
- D478,305 S \* 8/2003 Kern ..... D12/209

\* cited by examiner

*Primary Examiner*—Stacia Cadmus

(74) *Attorney, Agent, or Firm*—Crowell & Moring LLP

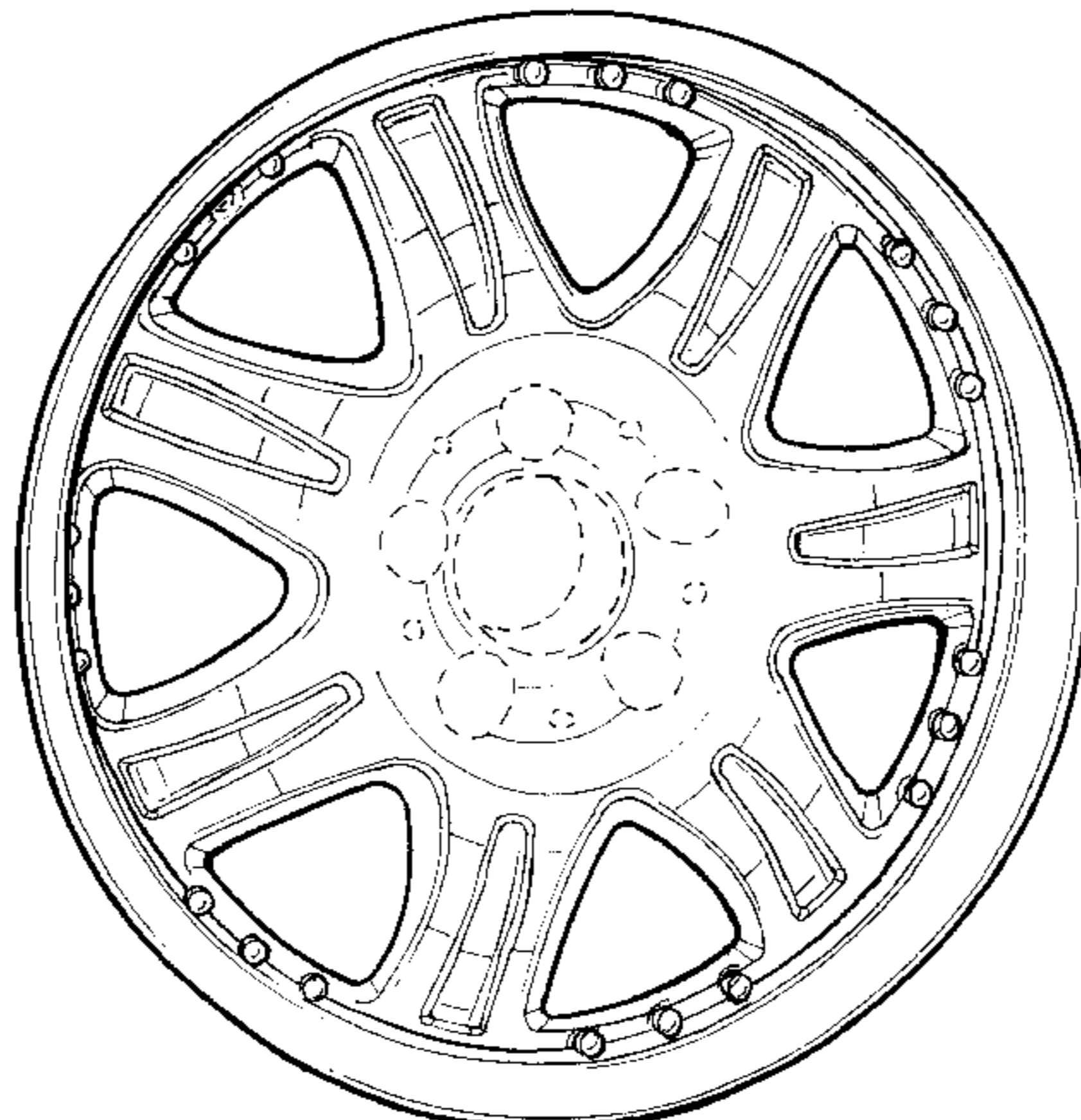
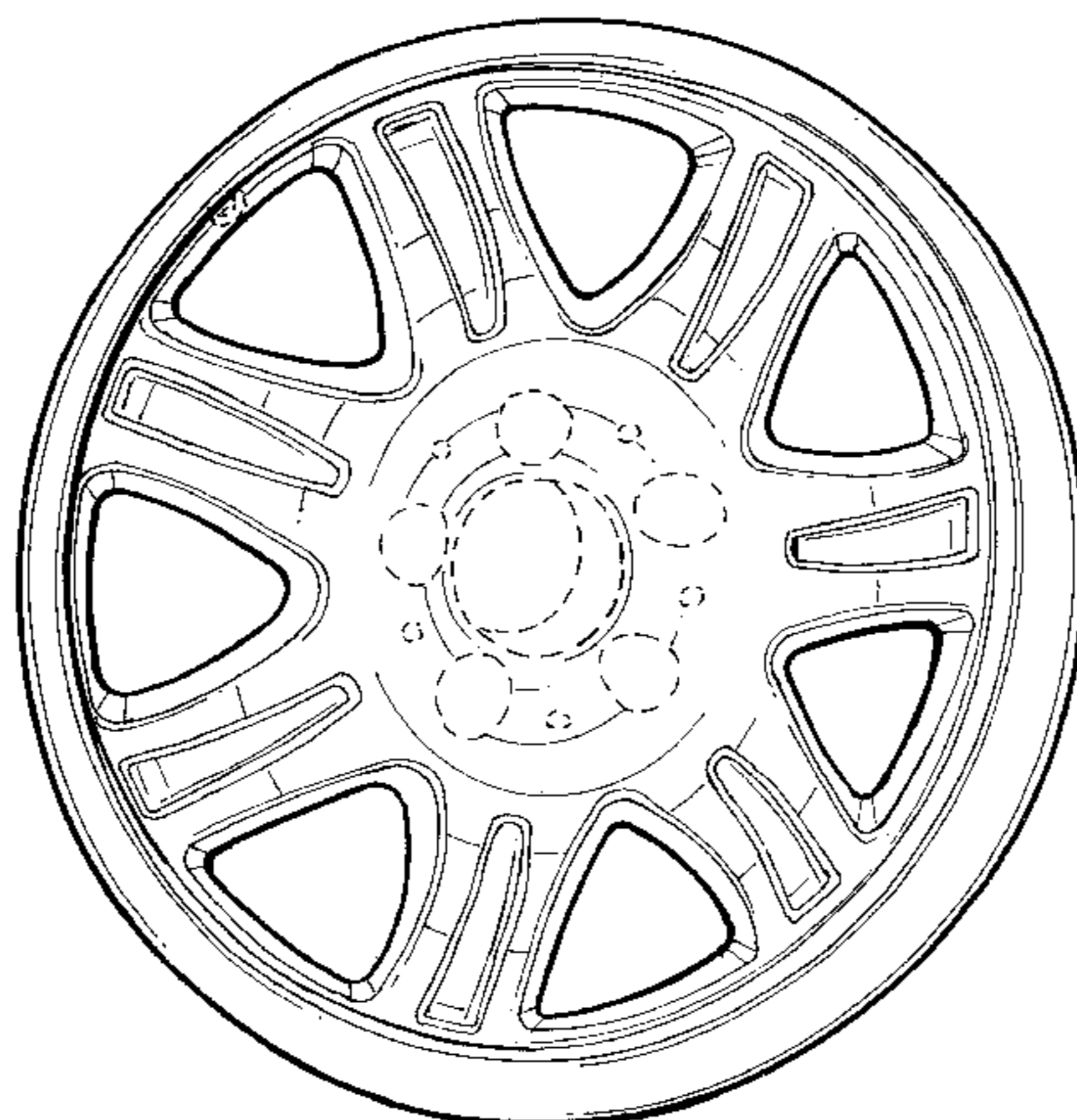
(57) **CLAIM**

The ornamental design for a front face of a vehicle wheel, as shown and described.

**DESCRIPTION**

FIG. 1 is a front view of a first embodiment of a front face of a vehicle wheel according to our novel design; FIG. 2 is a perspective view of a first embodiment of the front face of a vehicle wheel according to our novel design; FIG. 3 is a front view of a second embodiment of the front face of a vehicle wheel according to our novel design; and, FIG. 4 is a perspective view of a second embodiment of the front face of a vehicle wheel according to our novel design. The dash lines included depict environment and are not part of the claimed design.

**1 Claim, 2 Drawing Sheets**



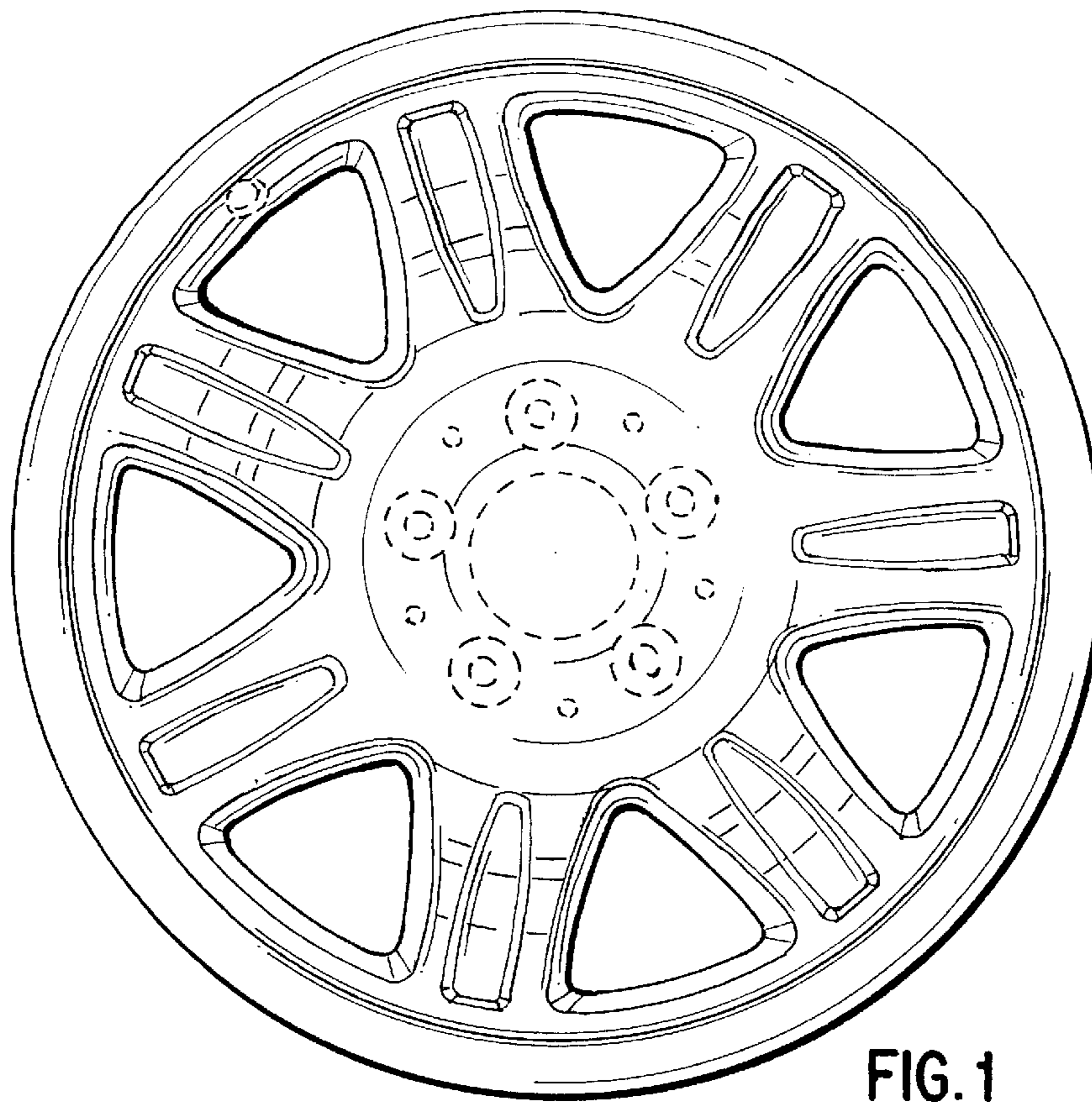


FIG. 1

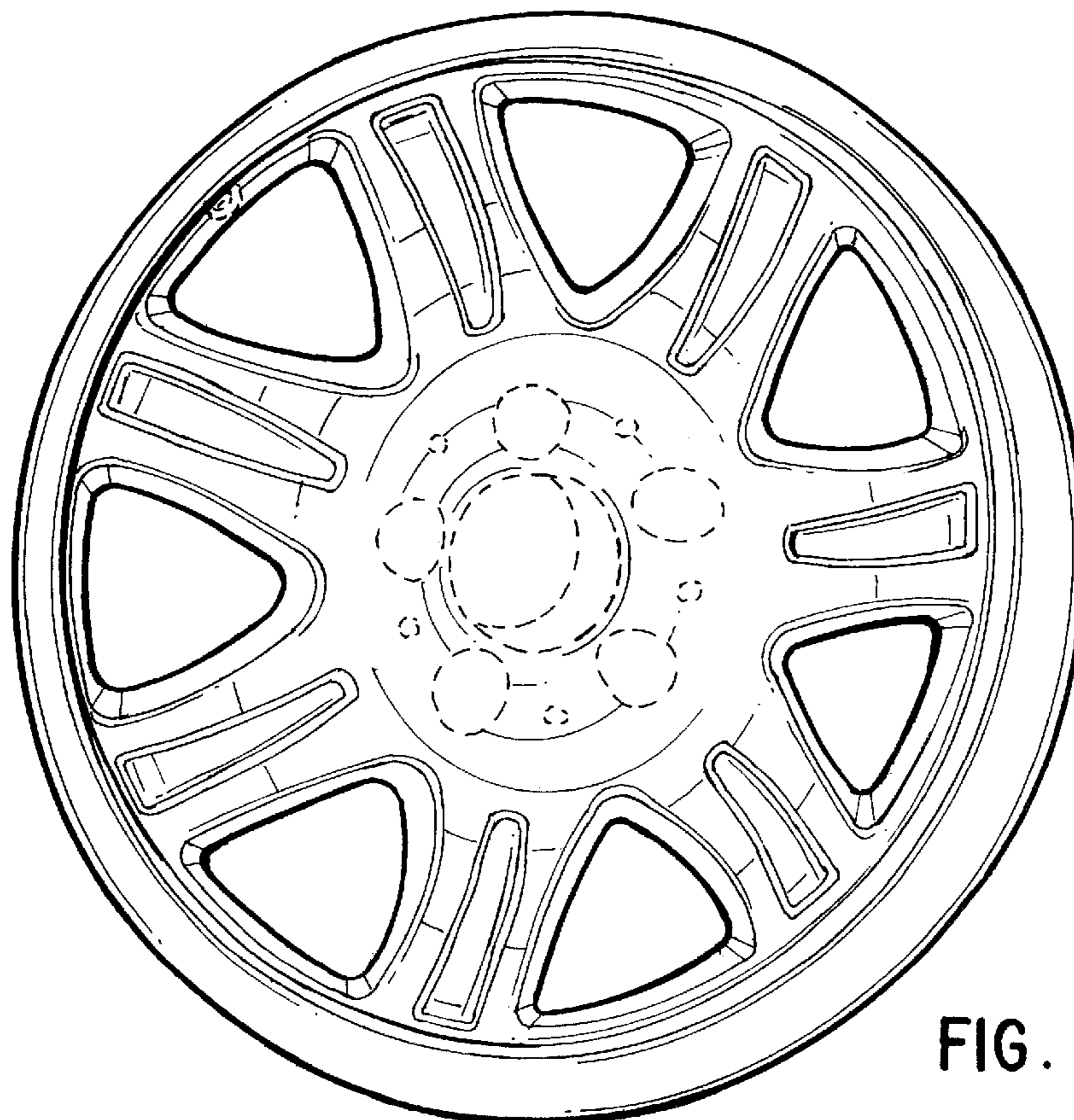


FIG. 2

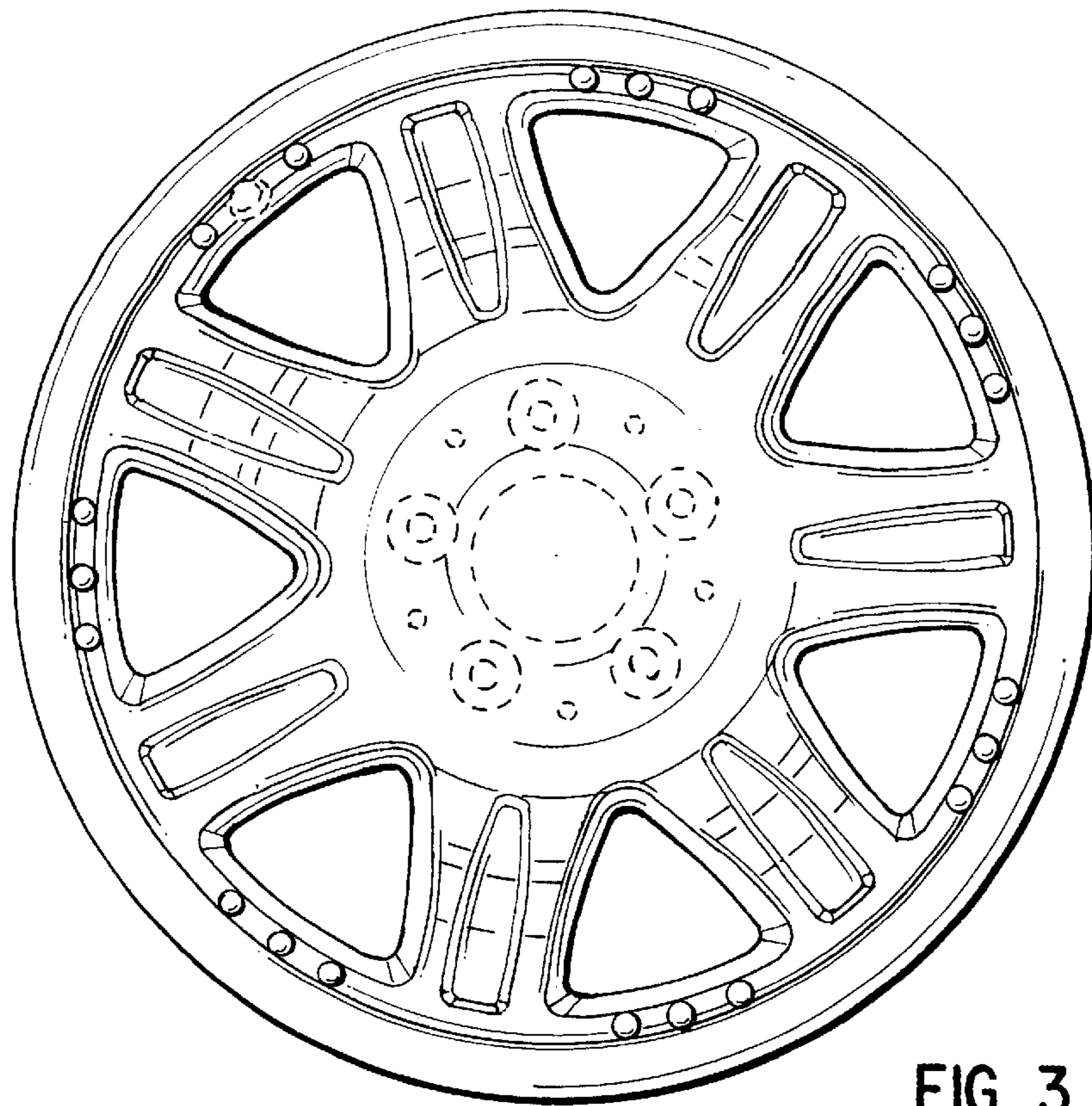


FIG. 3

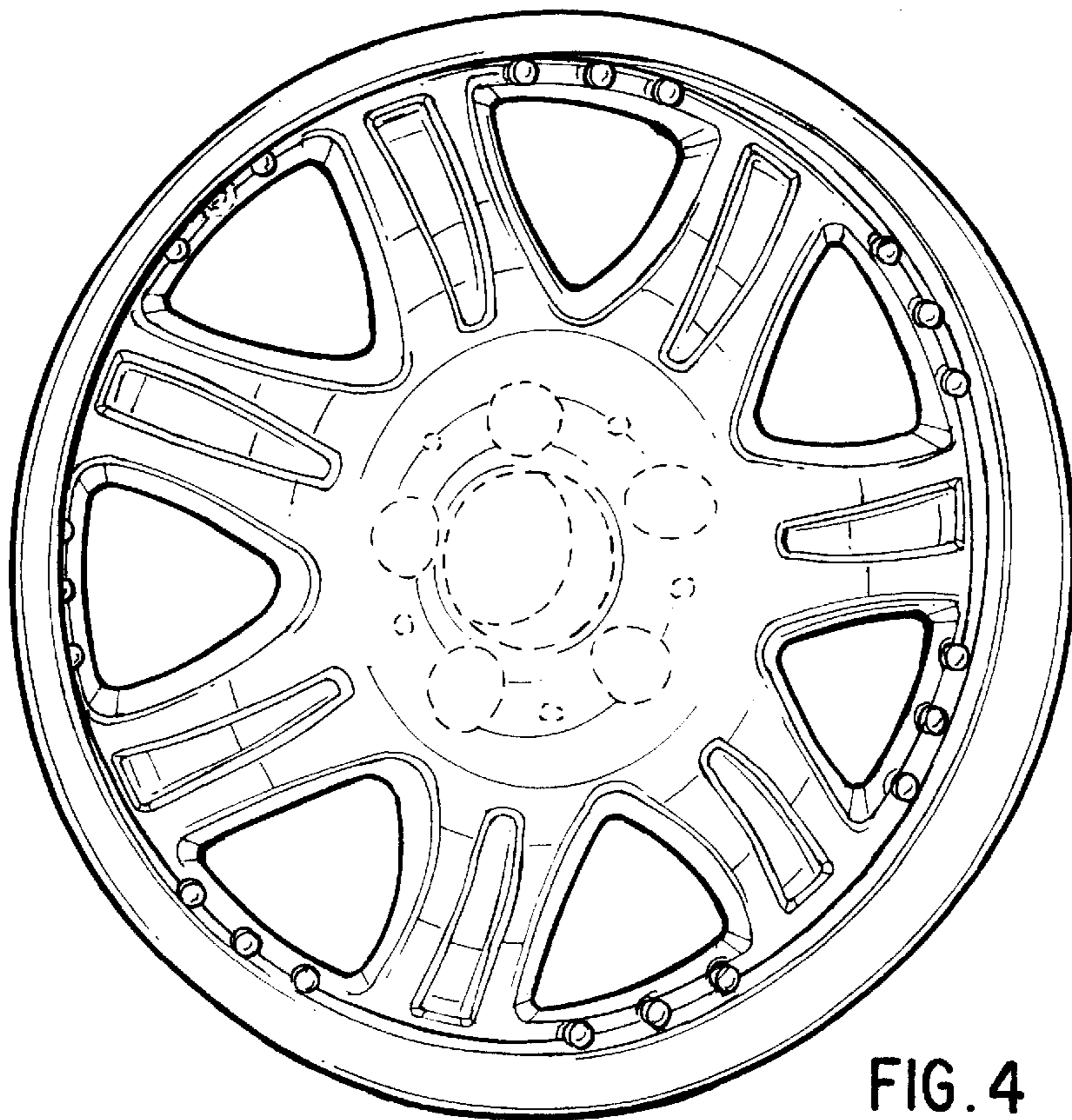


FIG. 4