



US00D482643S

(12) **United States Design Patent**
Gavin

(10) **Patent No.:** **US D482,643 S**

(45) **Date of Patent:** **** Nov. 25, 2003**

(54) **DISC BRAKE PILLAR ARRAY**

(75) **Inventor:** **Stephen Patrick Gavin, Bateau Bay (AU)**

(73) **Assignee:** **Disc Brakes Australia Pty Ltd, Silverwater (AU)**

(**) **Term:** **14 Years**

(21) **Appl. No.:** **29/167,824**

(22) **Filed:** **Sep. 19, 2002**

(51) **LOC (7) Cl.** **12-16**

(52) **U.S. Cl.** **D12/180**

(58) **Field of Search** **D12/180; 188/24.12, 188/24.13, 24.11, 218 XL, 73.2; 192/107 R, 70.16**

(56) **References Cited**

U.S. PATENT DOCUMENTS

4,865,167 A	9/1989	Giorgetti et al.	
D446,177 S	* 8/2001	Ueno	D12/180
D446,756 S	* 8/2001	York	D12/180
D465,179 S	* 11/2002	Ballinger	D12/180
D471,140 S	* 3/2003	Oberti	D12/180

* cited by examiner

Primary Examiner—Melody N. Brown

(74) *Attorney, Agent, or Firm*—Knobbe, Martens, Olson & Bear, LLP

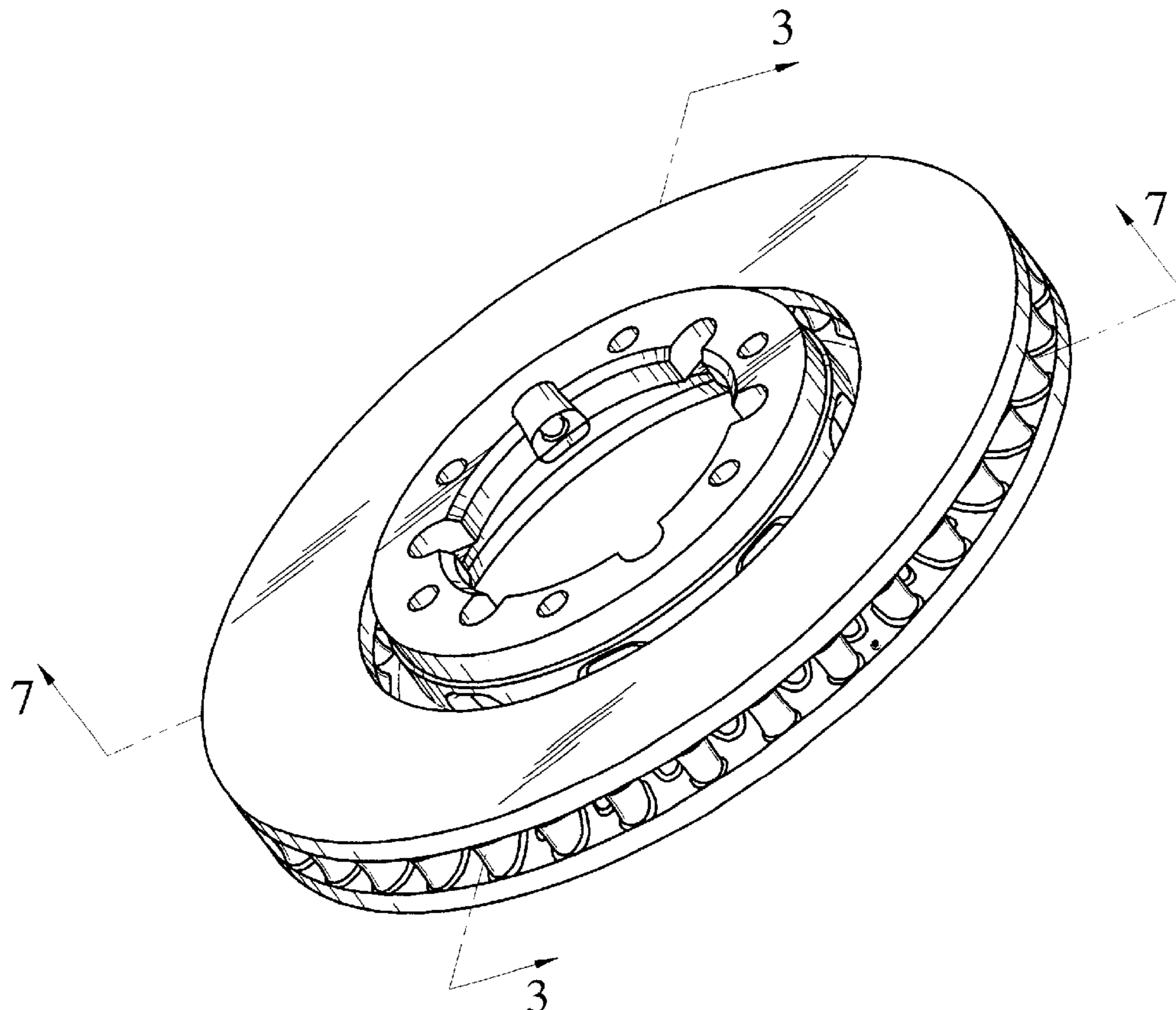
(57) **CLAIM**

The ornamental design for a disc brake pillar array, as shown and described.

DESCRIPTION

FIG. 1 is a top perspective view of a disc brake pillar array having a unique configuration of the present design;
 FIG. 2 is a bottom perspective view of a disc brake pillar array having a unique configuration of the present design;
 FIG. 3 is a cross-sectional side view of a disc brake pillar array having a unique configuration of the present design taken along line 3—3 in FIG. 1;
 FIG. 4 is a top view of a disc brake pillar array having a unique configuration of the present design;
 FIG. 5 is a bottom view of a disc brake pillar array having a unique configuration of the present design;
 FIG. 6 is a side view of a disc brake pillar array having a unique configuration of the present design; and,
 FIG. 7 is a cross-sectional top view of a disc brake pillar array having a unique configuration of the present design taken along line 7—7 in FIG. 1.

1 Claim, 7 Drawing Sheets



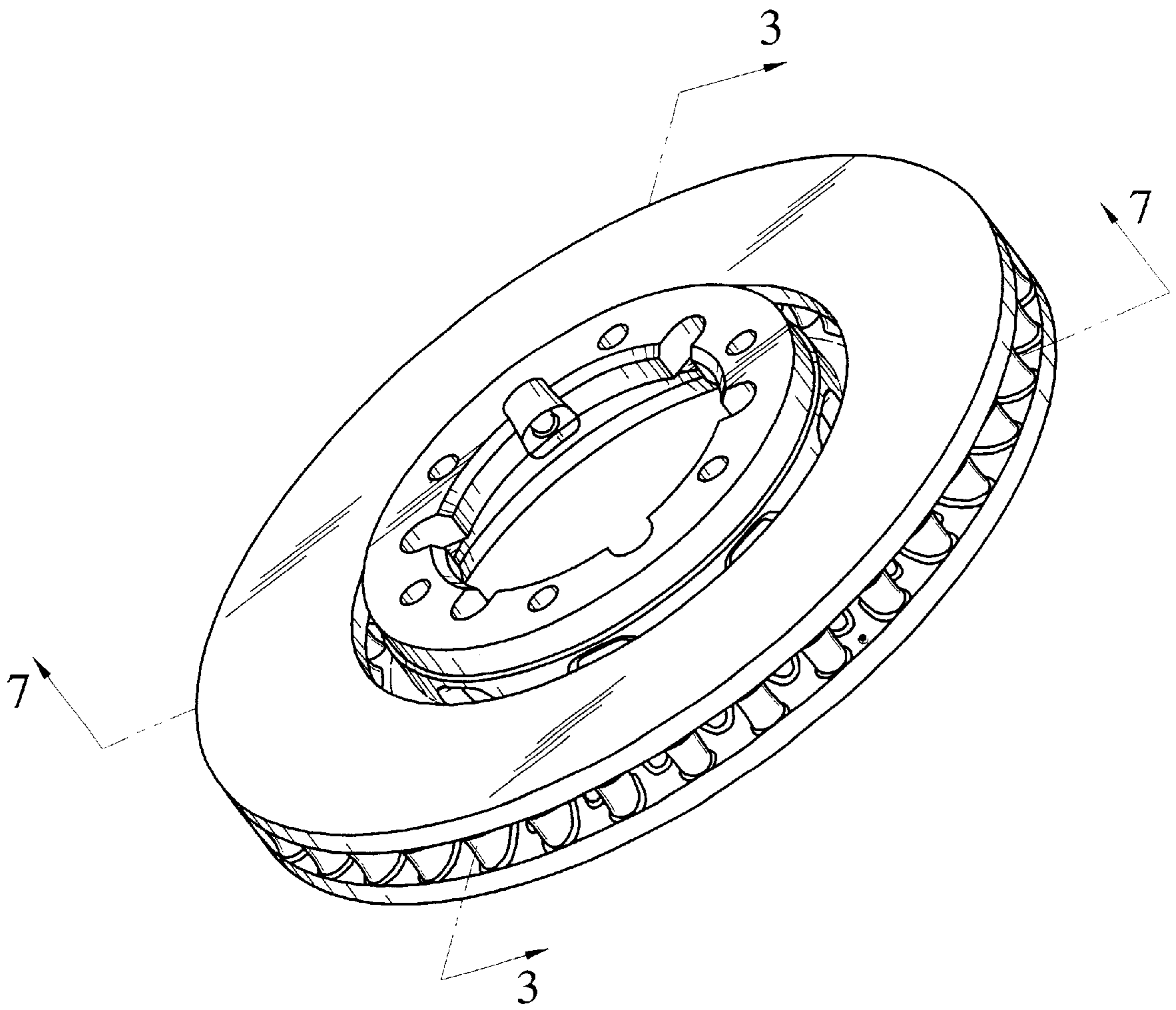


FIG. 1

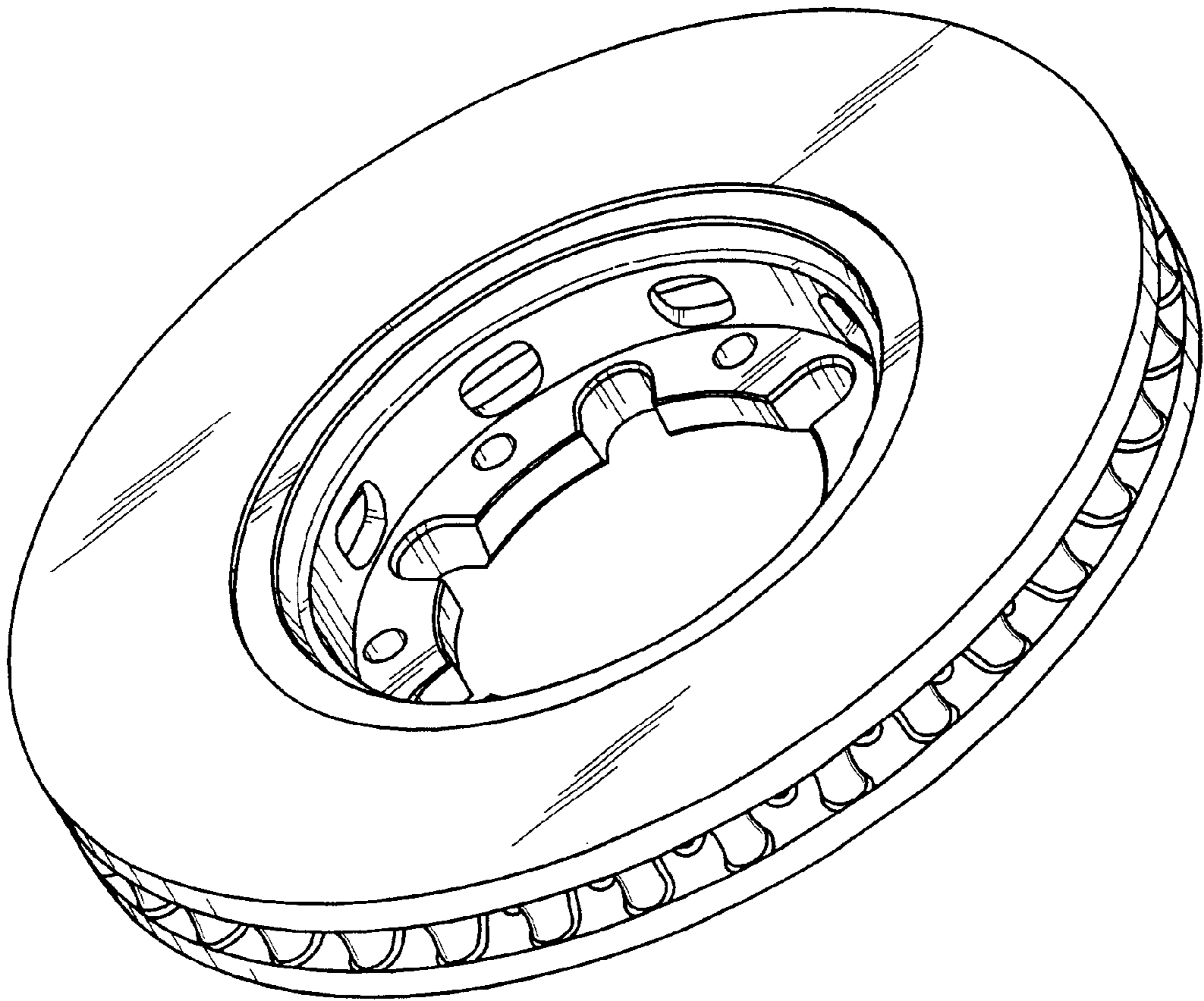


FIG. 2

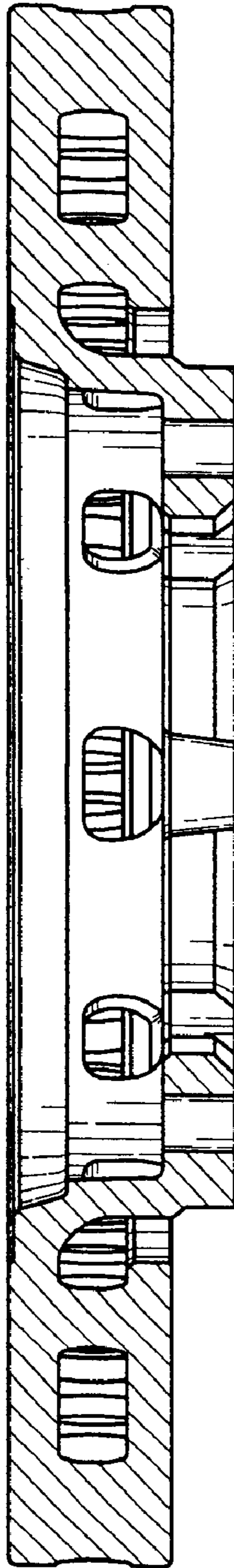


FIG. 3

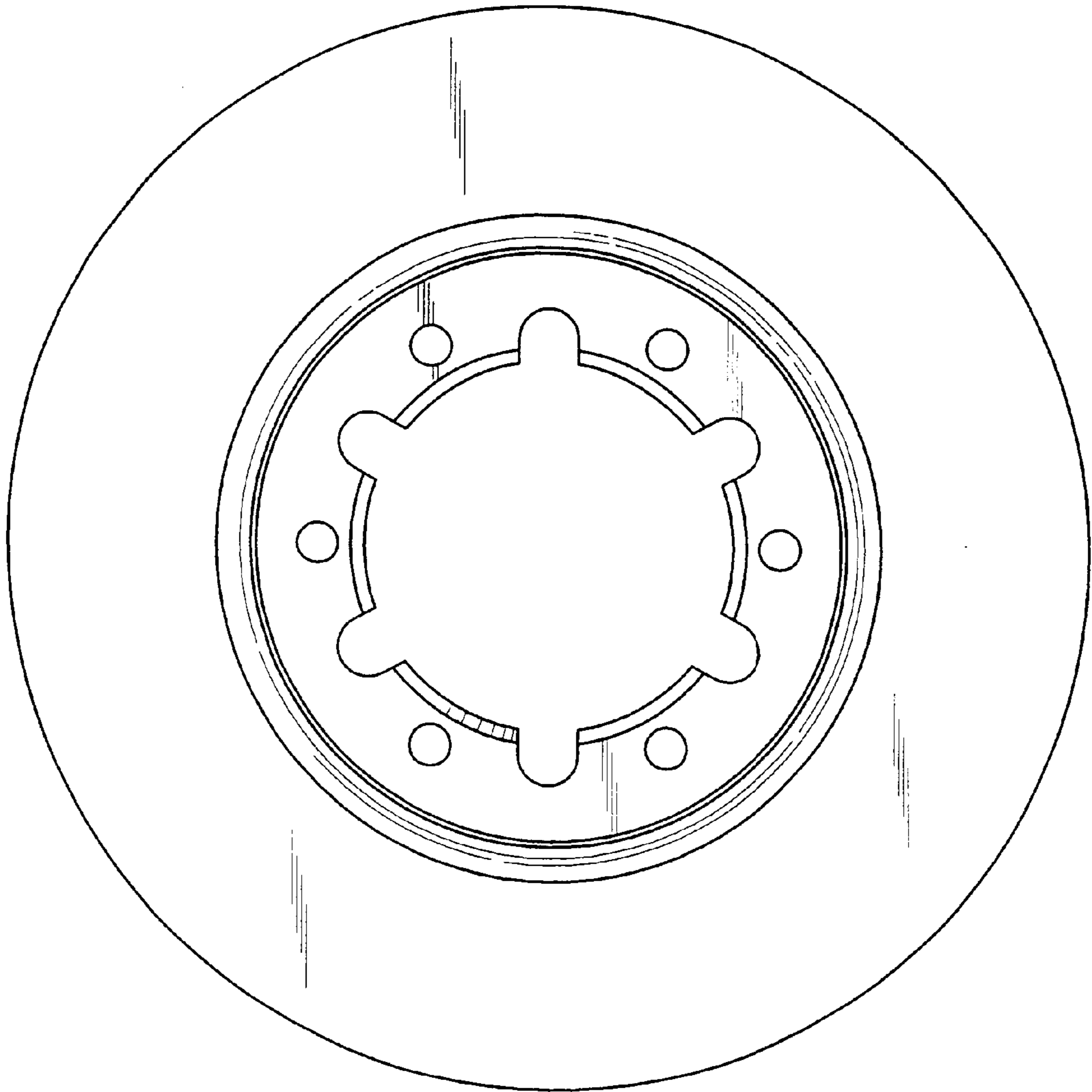


FIG. 4

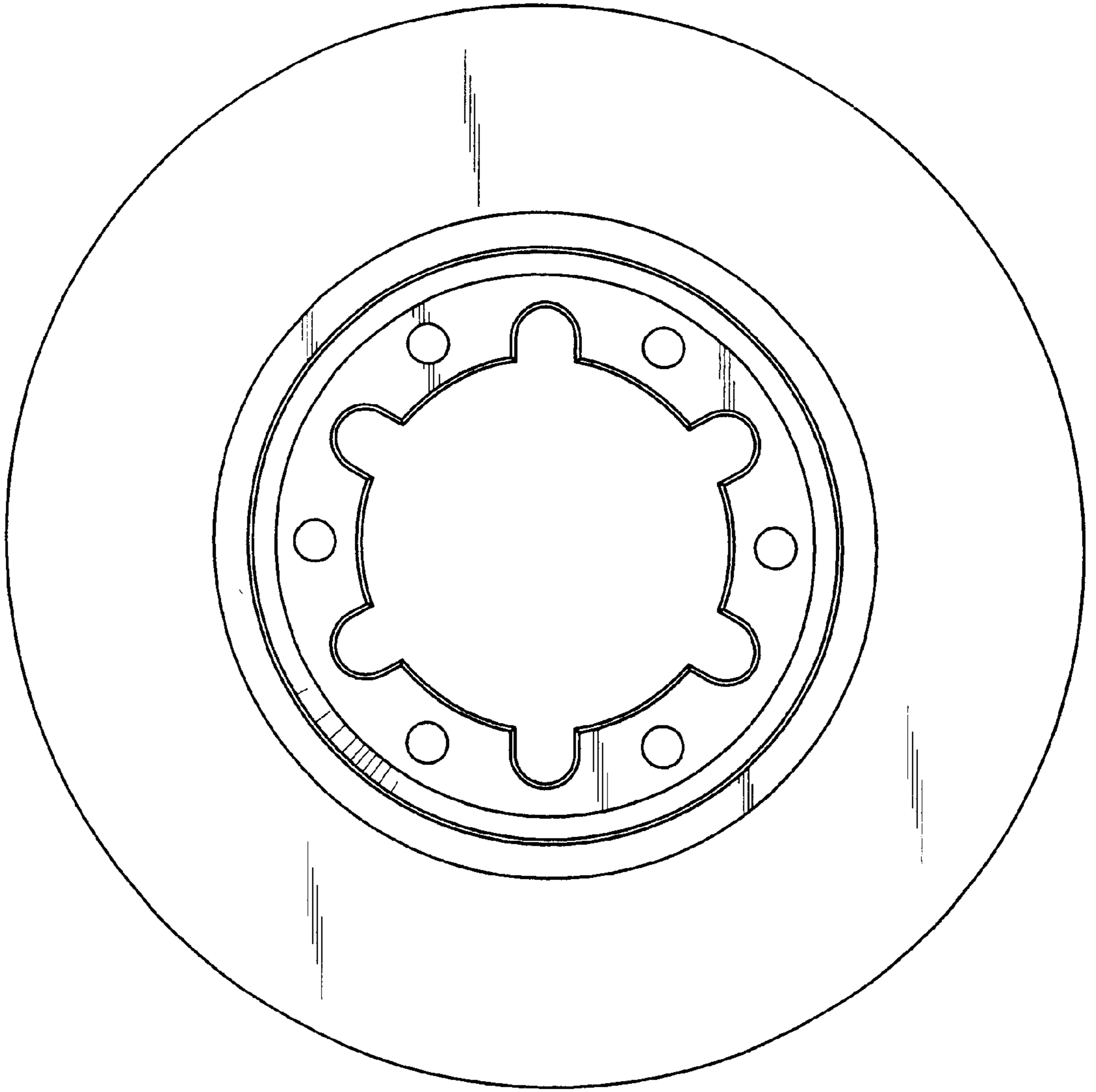


FIG. 5

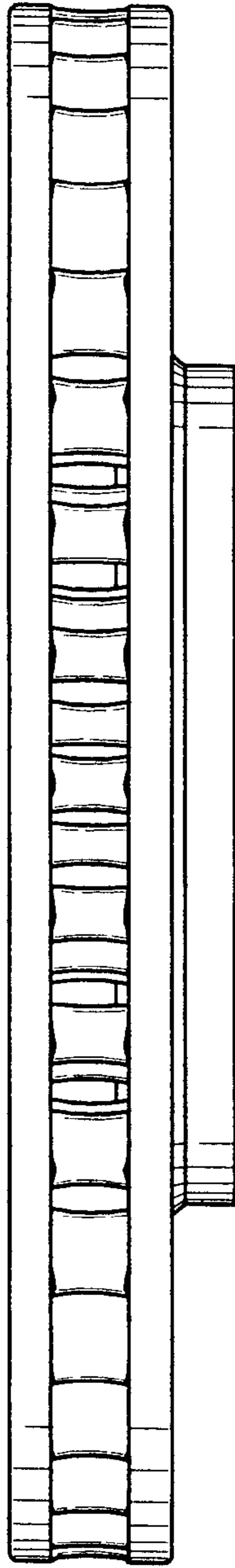


FIG. 6

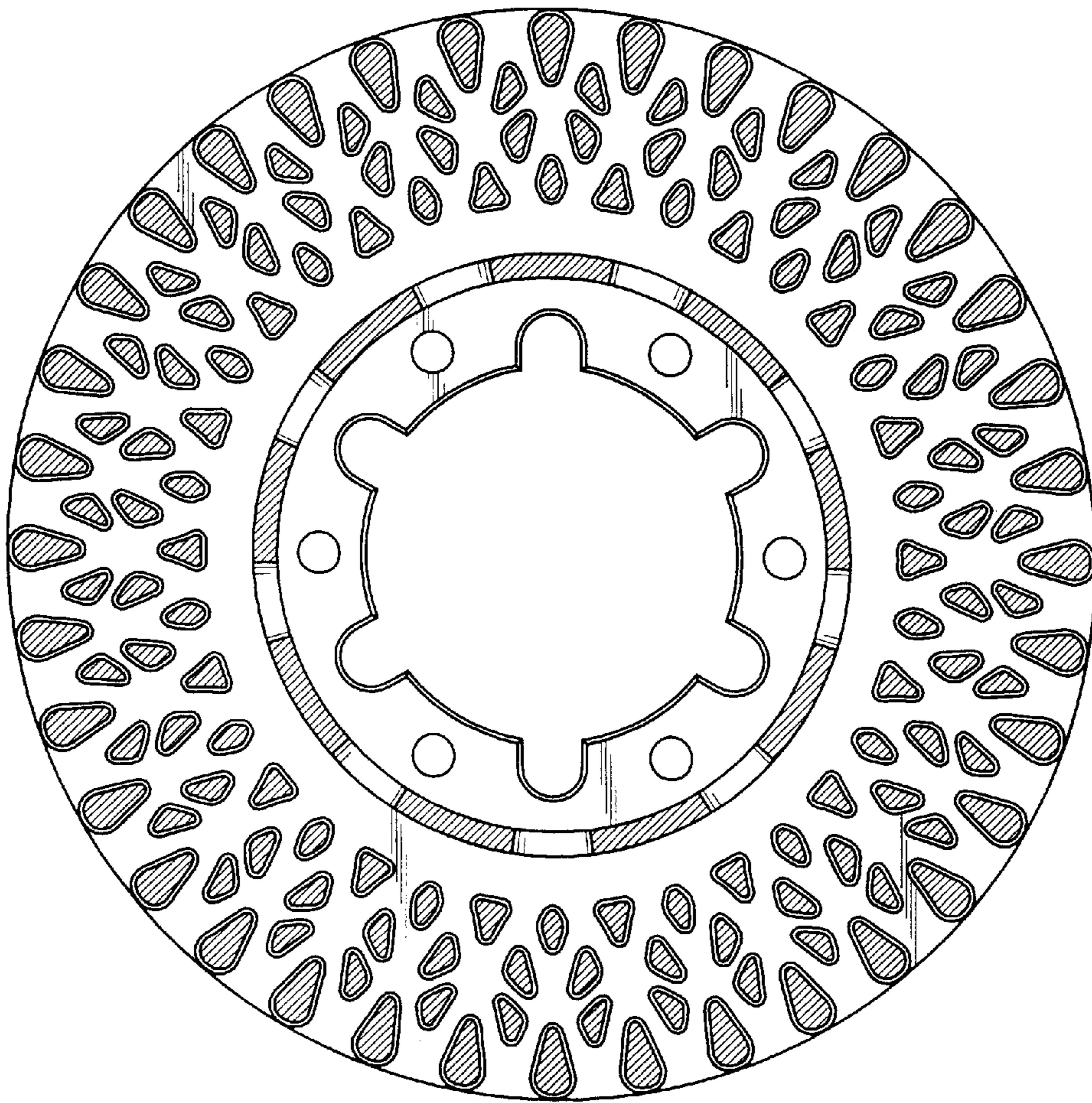


FIG. 7