



US00D482639S

(12) **United States Design Patent**
Yamamoto et al.

(10) **Patent No.:** **US D482,639 S**

(45) **Date of Patent:** **** Nov. 25, 2003**

(54) **MOTORCYCLE**

D456,315 S * 4/2002 Sawabe et al. D12/110

(75) Inventors: **Shoji Yamamoto, Wako (JP); Kazuhiro Sakamoto, Wako (JP)**

* cited by examiner

(73) Assignee: **Honda Giken Kogyo Kabushiki Kaisha, Tokyo (JP)**

Primary Examiner—Alan P. Douglas

Assistant Examiner—Linda Brooks

(**) Term: **14 Years**

(74) *Attorney, Agent, or Firm*—Birch, Stewart, Kolasch & Birch, LLP

(21) Appl. No.: **29/163,691**

(57) **CLAIM**

(22) Filed: **Jul. 11, 2002**

The ornamental design for a motorcycle, as shown and described.

(30) **Foreign Application Priority Data**

DESCRIPTION

Jan. 11, 2002 (JP) 2002-000500

FIG. 1 is a right side perspective view of a motorcycle, showing our new design;

(51) **LOC (7) Cl.** **12-11**

FIG. 2 is a left side perspective view thereof;

(52) **U.S. Cl.** **D12/110**

FIG. 3 is another left side perspective view thereof;

(58) **Field of Search** **D12/110; 180/219**

FIG. 4 is another right side perspective view thereof;

FIG. 5 is a left side elevation view thereof;

FIG. 6 is a right side elevation view thereof;

FIG. 7 is a front elevation view thereof;

FIG. 8 is a rear elevation view thereof; and,

FIG. 9 is a top plan view thereof.

(56) **References Cited**

U.S. PATENT DOCUMENTS

D419,922 S * 2/2000 Yamase et al. D12/110

D430,822 S * 9/2000 Sakaguchi et al. D12/110

1 Claim, 5 Drawing Sheets

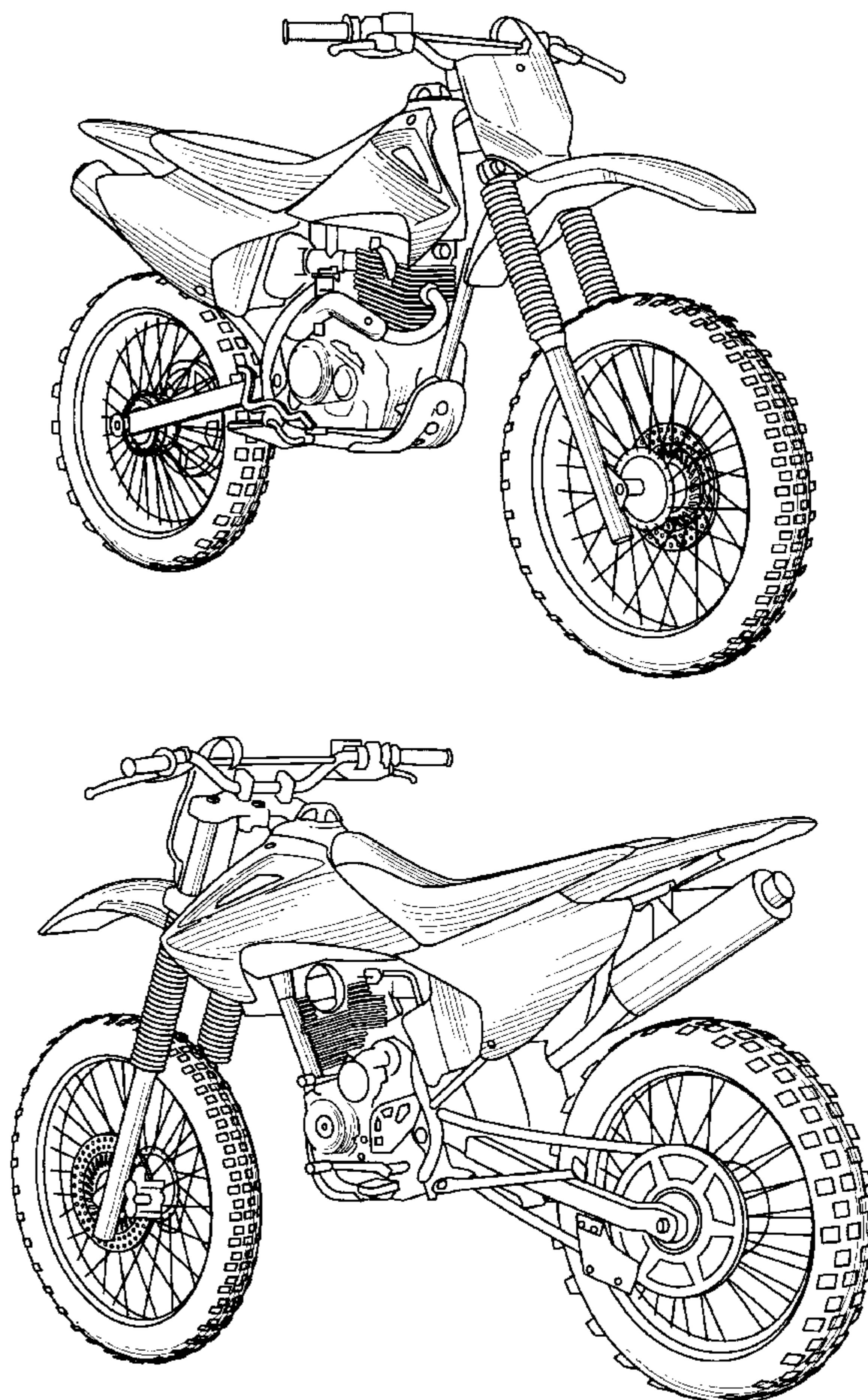


Fig. 1

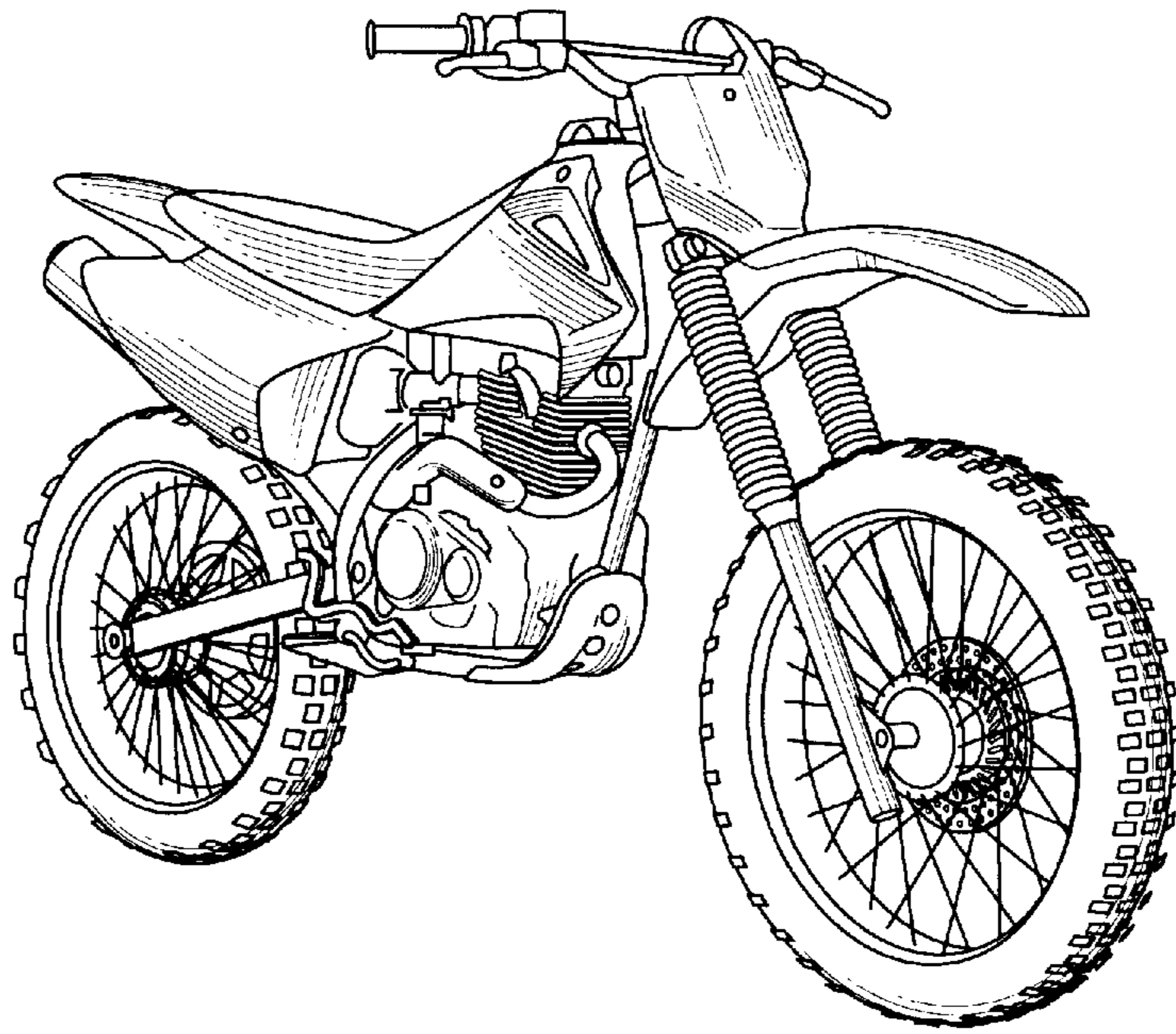


Fig. 2

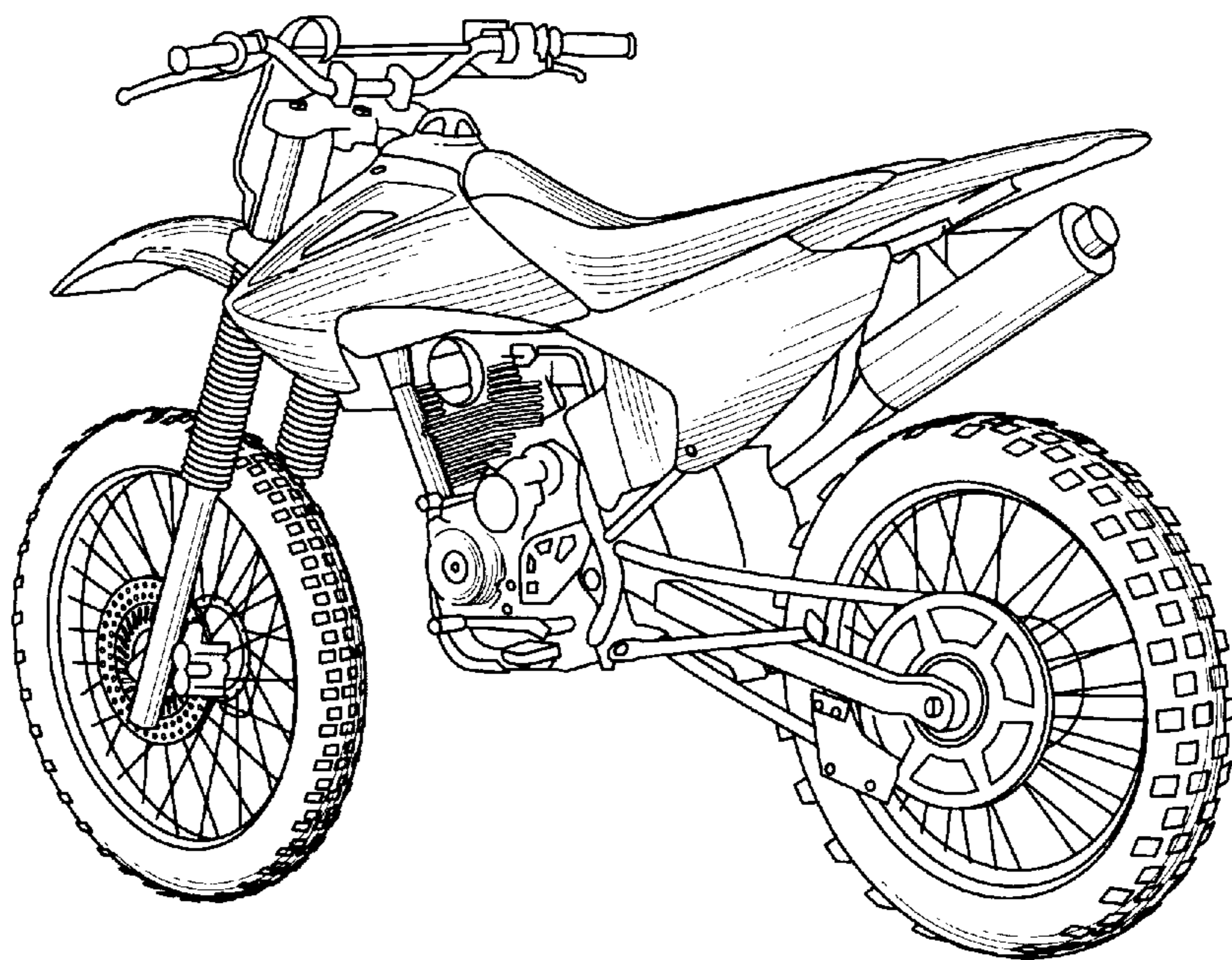


Fig.3

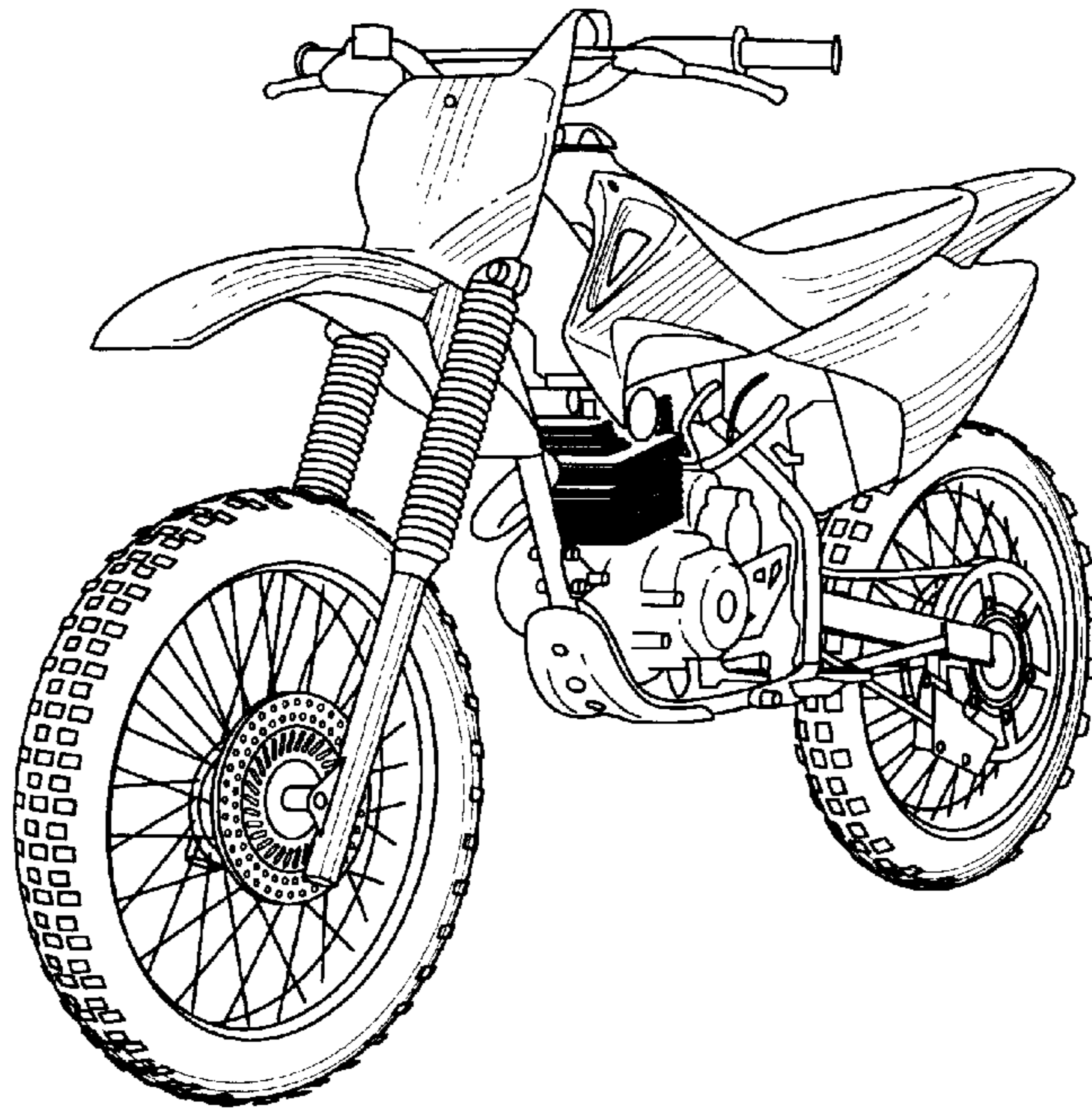


Fig.4

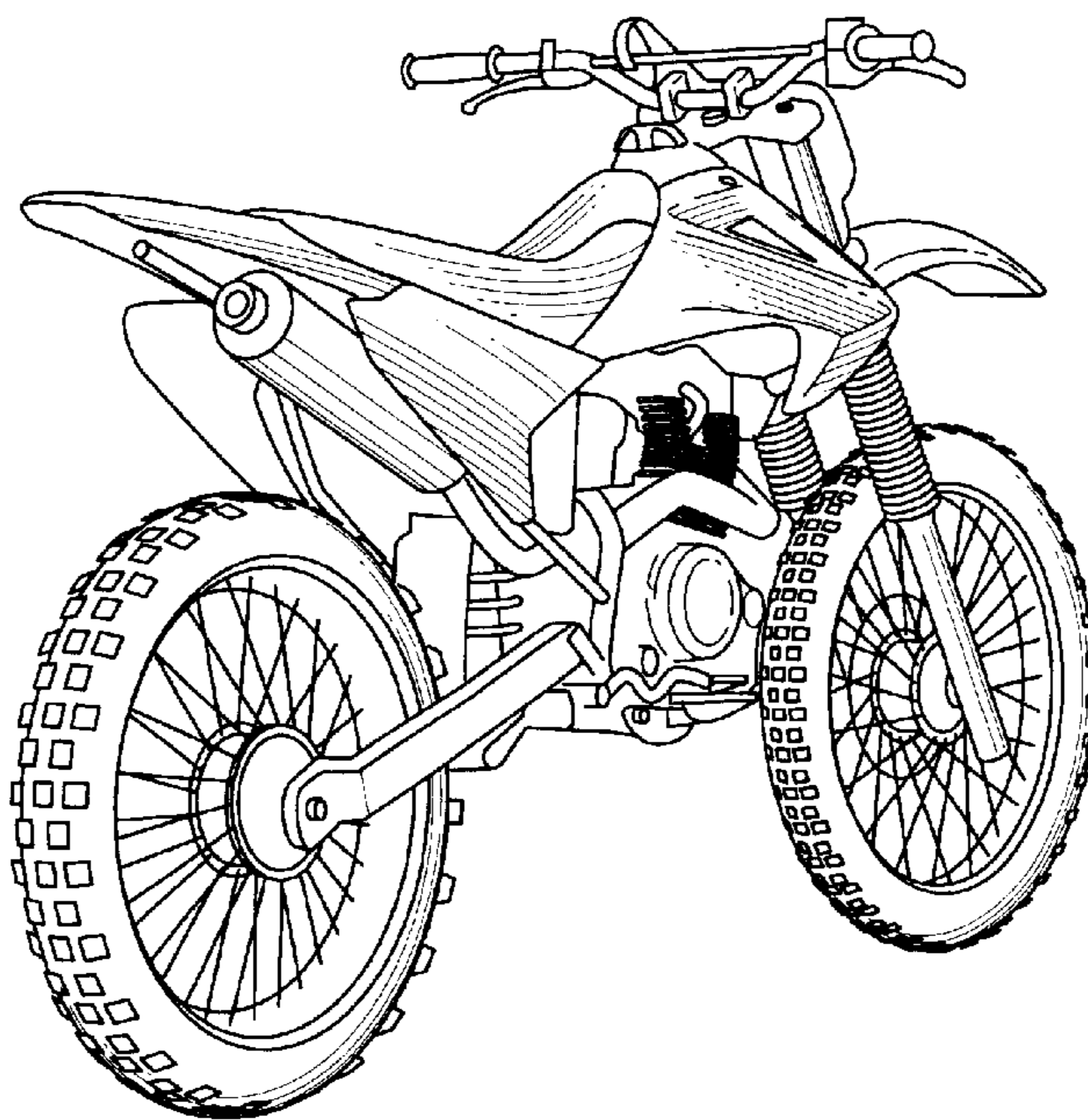


Fig. 5

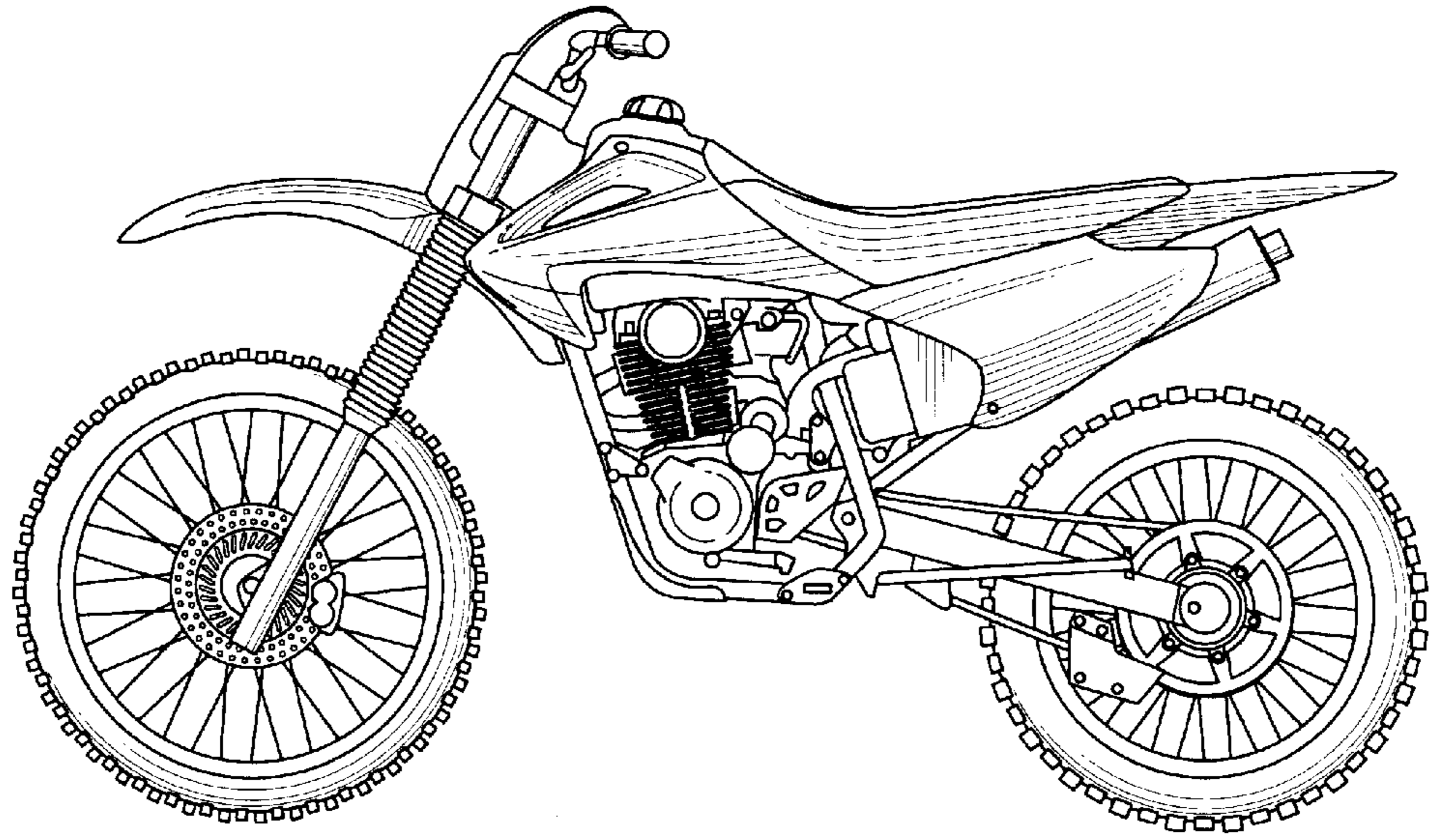


Fig. 6

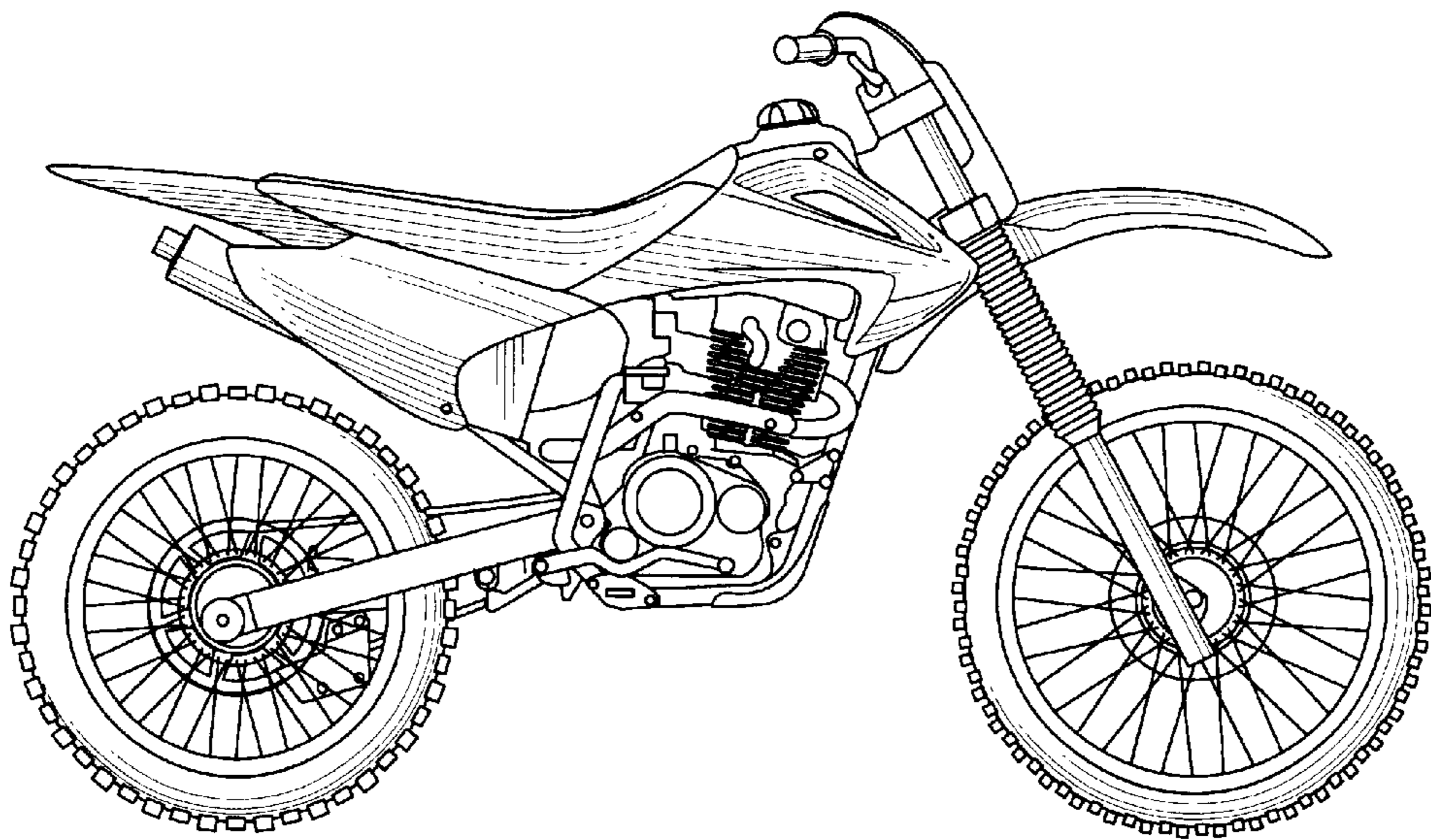


Fig. 7

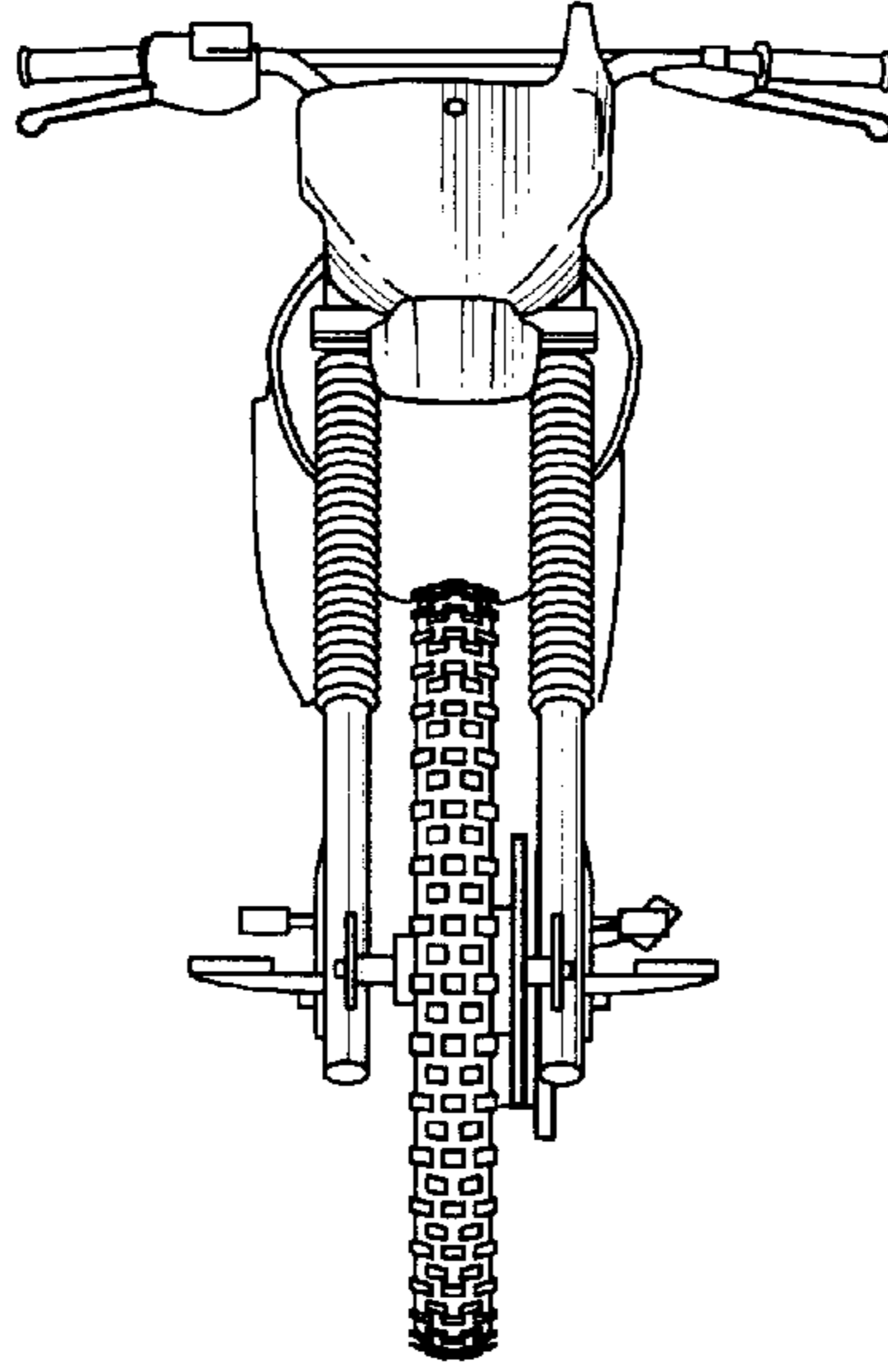


Fig. 8

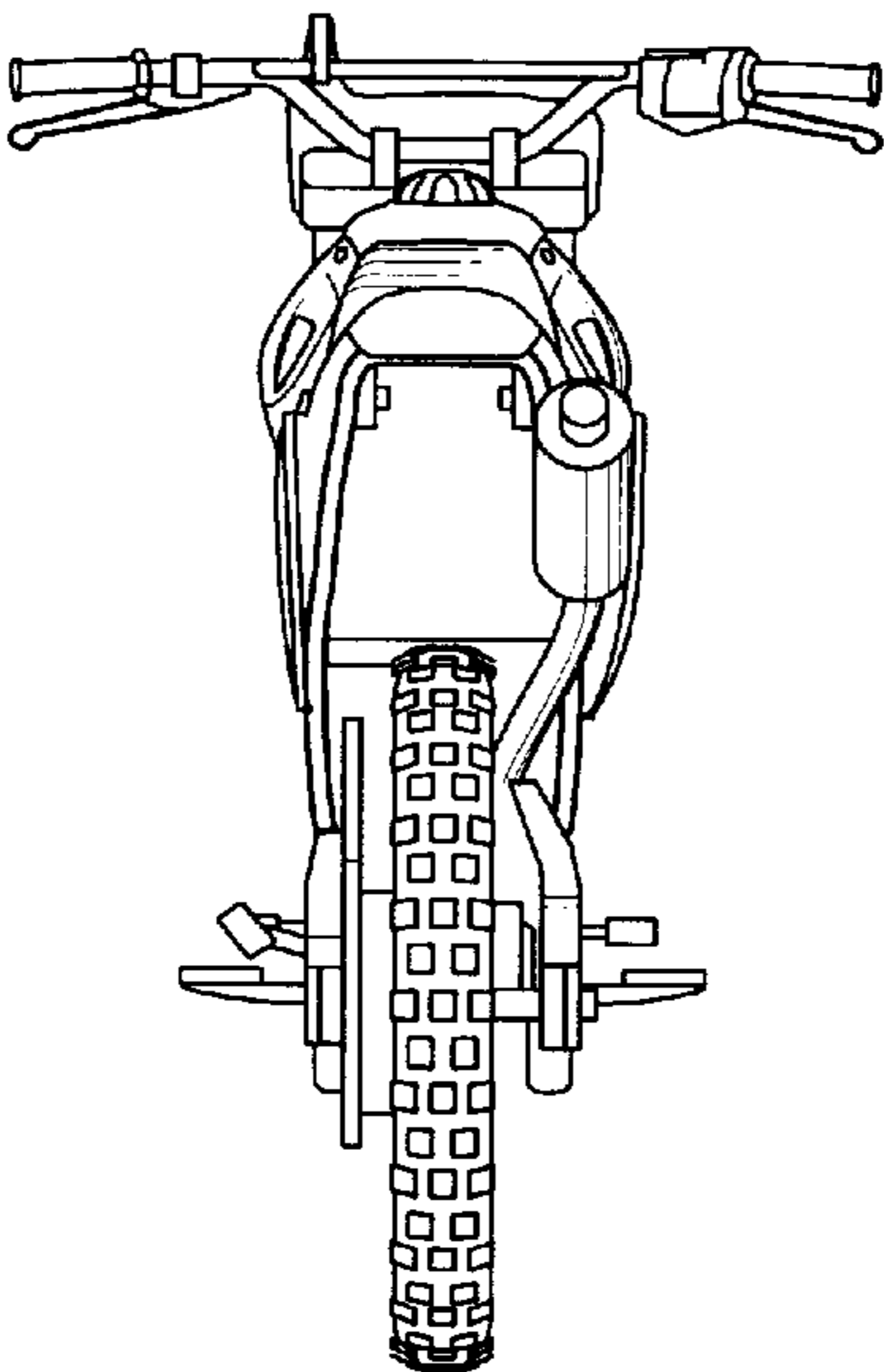


Fig.9

