



US00D482637S

(12) **United States Design Patent**
Gilad

(10) **Patent No.:** **US D482,637 S**

(45) **Date of Patent:** **** Nov. 25, 2003**

(54) **VASE MAKER**

D424,471 S * 5/2000 Souris D11/146
D471,740 S * 3/2003 Kaniuk et al. D6/486

(75) Inventor: **Ron Gilad**, New York, NY (US)

* cited by examiner

(73) Assignee: **Designfenzider, LLC**, NJ (US)

Primary Examiner—Doris V. Coles

(**) Term: **14 Years**

Assistant Examiner—Mimosa De

(21) Appl. No.: **29/171,640**

(74) *Attorney, Agent, or Firm*—Eitan, Pearl, Latzer & Cohen Zedek,LLP

(22) Filed: **Nov. 27, 2002**

(57) **CLAIM**

(51) **LOC (7) Cl.** **11-02**

The ornamental design for a vase maker, as shown and described.

(52) **U.S. Cl.** **D11/143; D11/154**

(58) **Field of Search** D11/143, 144,
D11/146, 148, 152, 153, 154; 47/65.5,
66.6, 67, 68, 71, 39, 41.01, 41.11, 41.12,
41.13, 41.15; D14/224; D6/403–405, 480,
486; 248/27.8, 127, 346.01, 346.03; 206/423

DESCRIPTION

(56) **References Cited**

U.S. PATENT DOCUMENTS

D164,295 S	*	8/1951	Gierlich	D6/486
D184,500 S	*	2/1959	White	D6/486
D240,983 S	*	8/1976	Rowman	D6/486
D241,388 S	*	9/1976	McClung et al.	D6/403
D284,149 S	*	6/1986	Rose	D6/486
4,597,550 A	*	7/1986	Rice, Sr.	248/346.03
4,754,943 A	*	7/1988	Froutzis	248/188.1
D345,848 S	*	4/1994	May et al.	D99/5
D346,763 S	*	5/1994	Smith	D11/144
D360,887 S	*	8/1995	Karnaze	D14/224
D403,614 S	*	1/1999	Terranova	D11/146

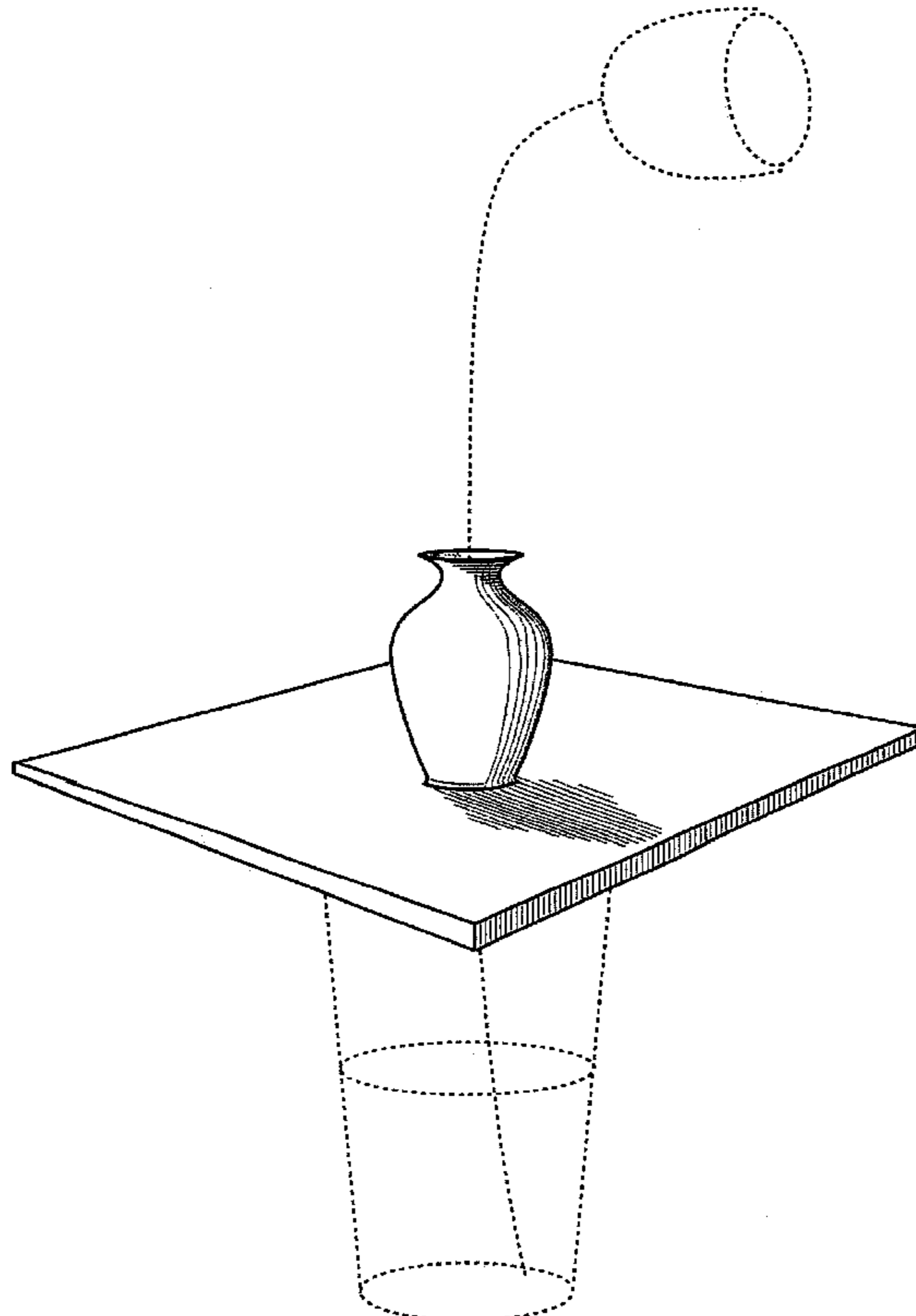
FIG. 1 is a perspective view of the vase maker, with broken lines representing environmental structure; in this case the broken lines show a glass on which the vase maker lies, water in the glass, and a flower extending through the vase maker into the glass (any broken line illustration of environmental structure in the drawing is not part of the design sought to be patented);

FIG. 2 is a front perspective view of the vase maker shown in FIG. 1;

FIG. 3 is a side view of the vase maker shown in FIG. 1, the three other side views being identical (except for broken lines representing the environment, which may differ among the views);

FIG. 4 is a top view of the vase maker shown in FIG. 1; and, FIG. 5 is a bottom view of the vase maker shown in FIG. 1.

1 Claim, 5 Drawing Sheets



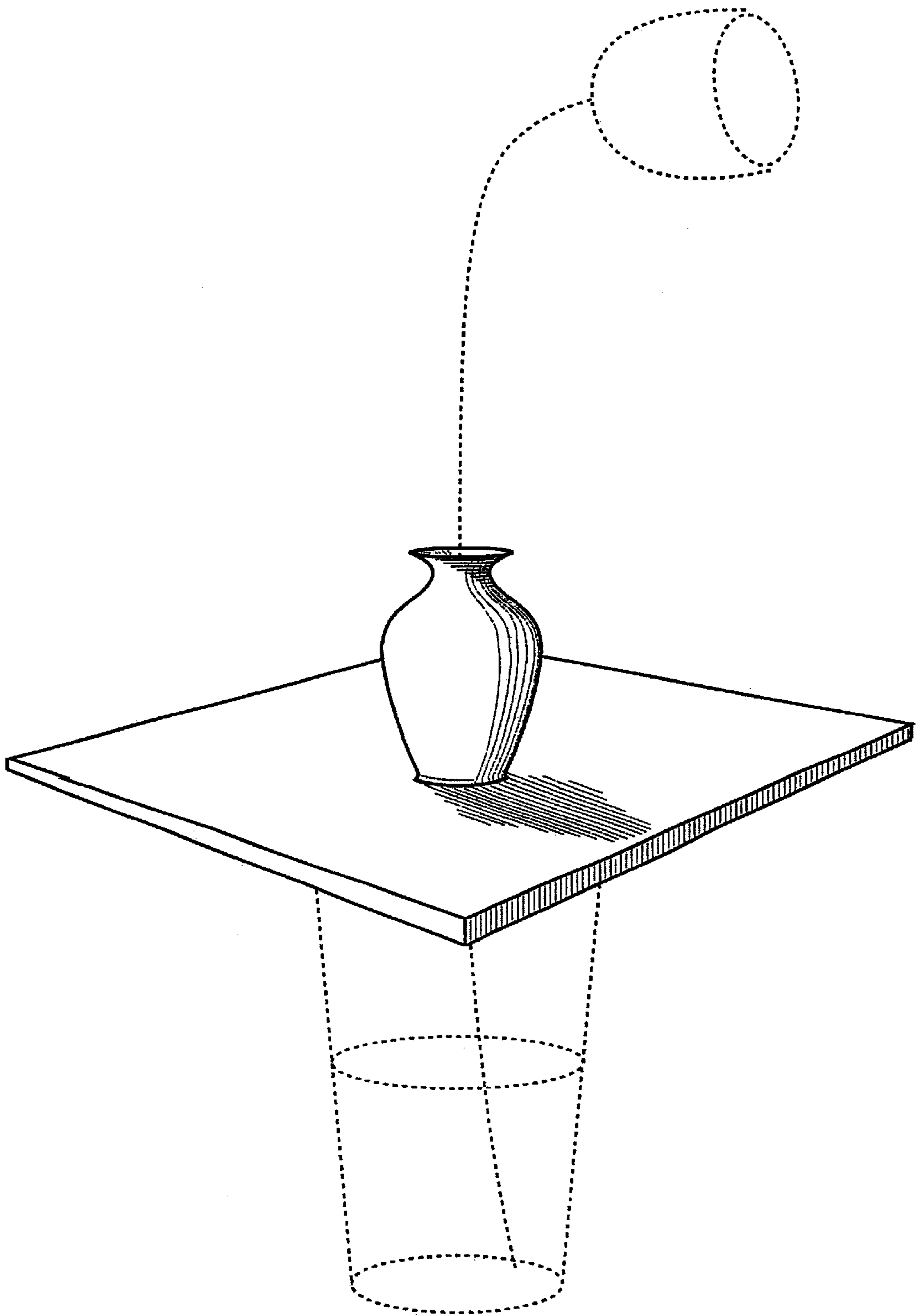


FIG. 1

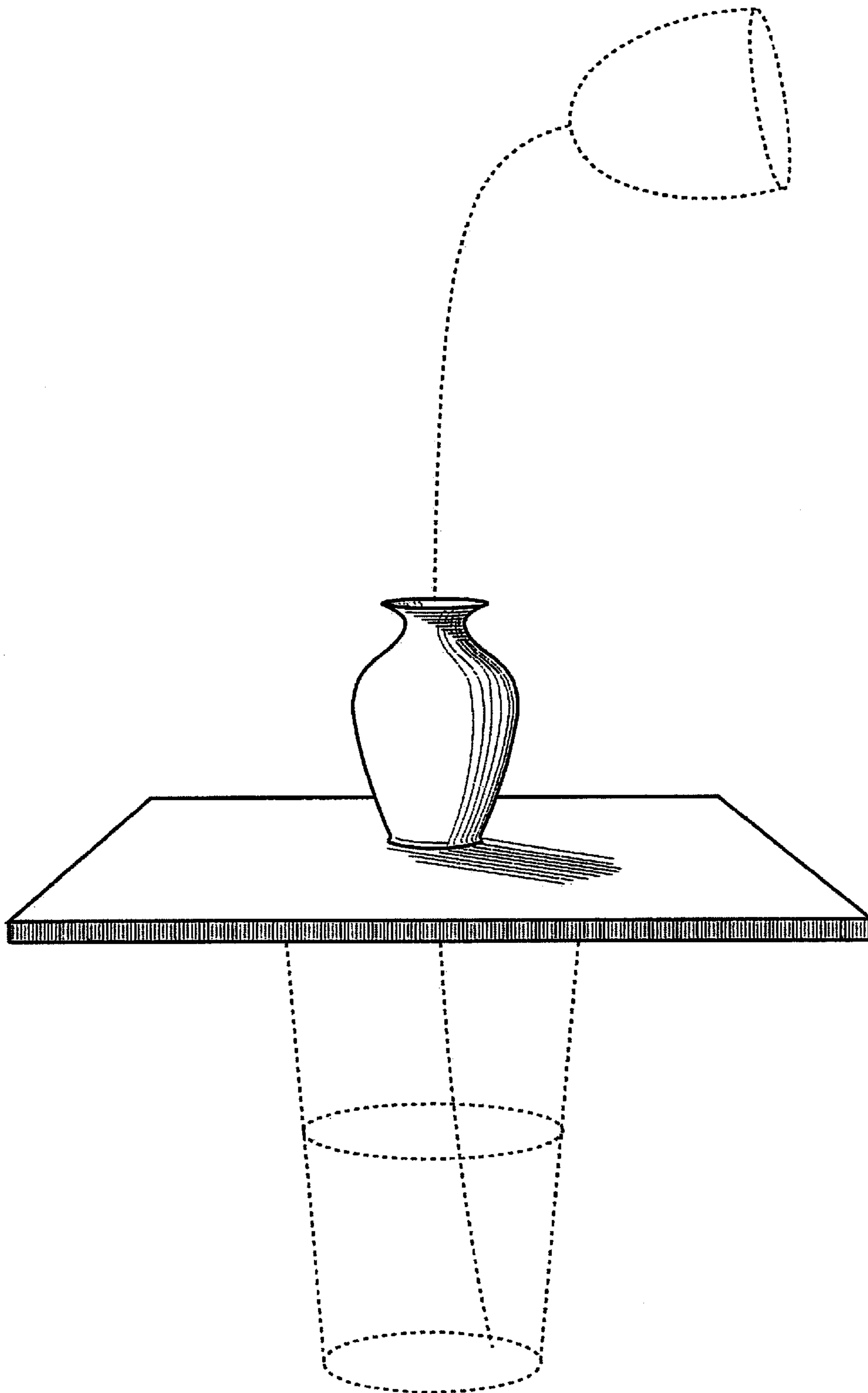


FIG. 2

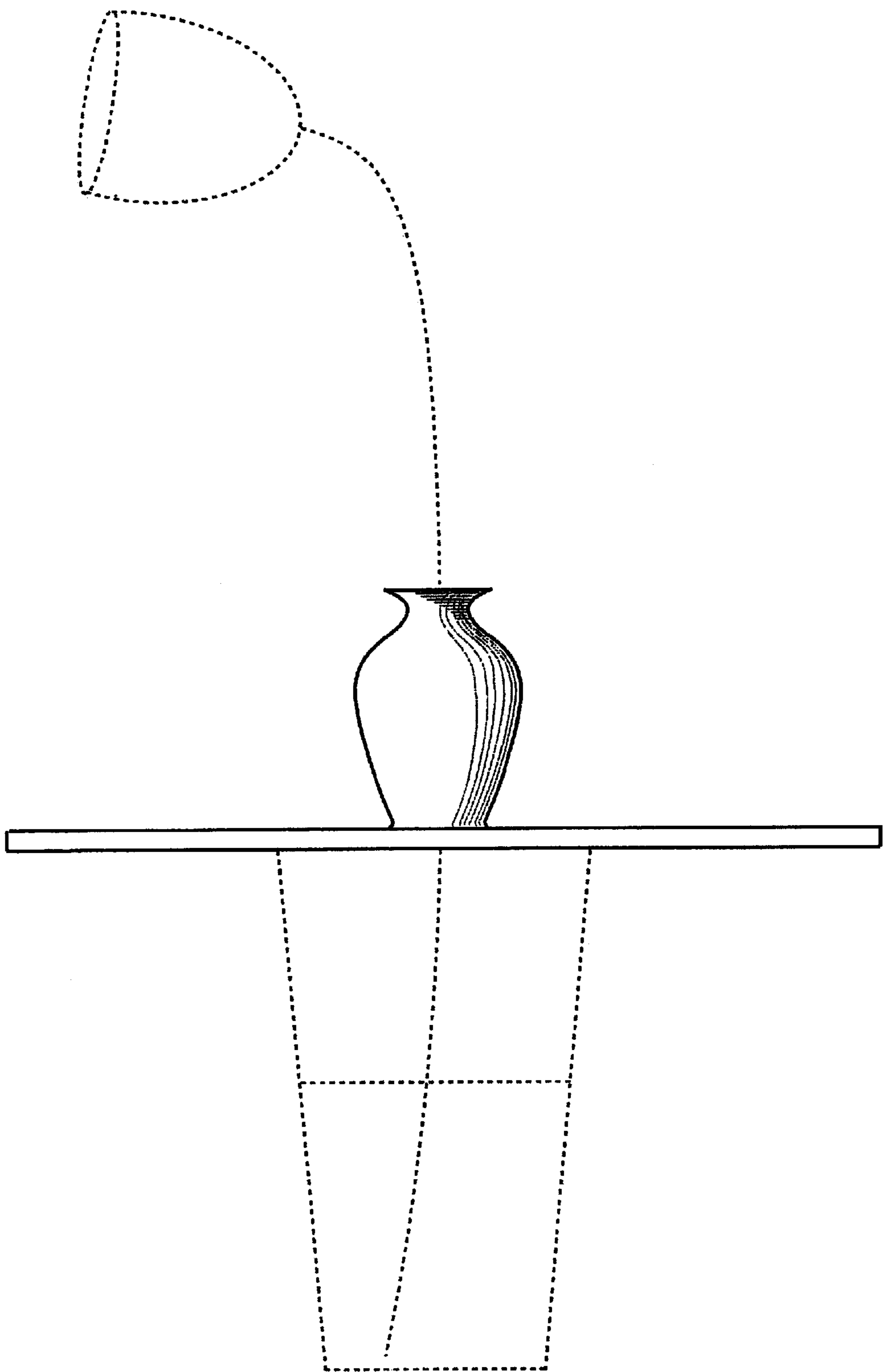


FIG. 3

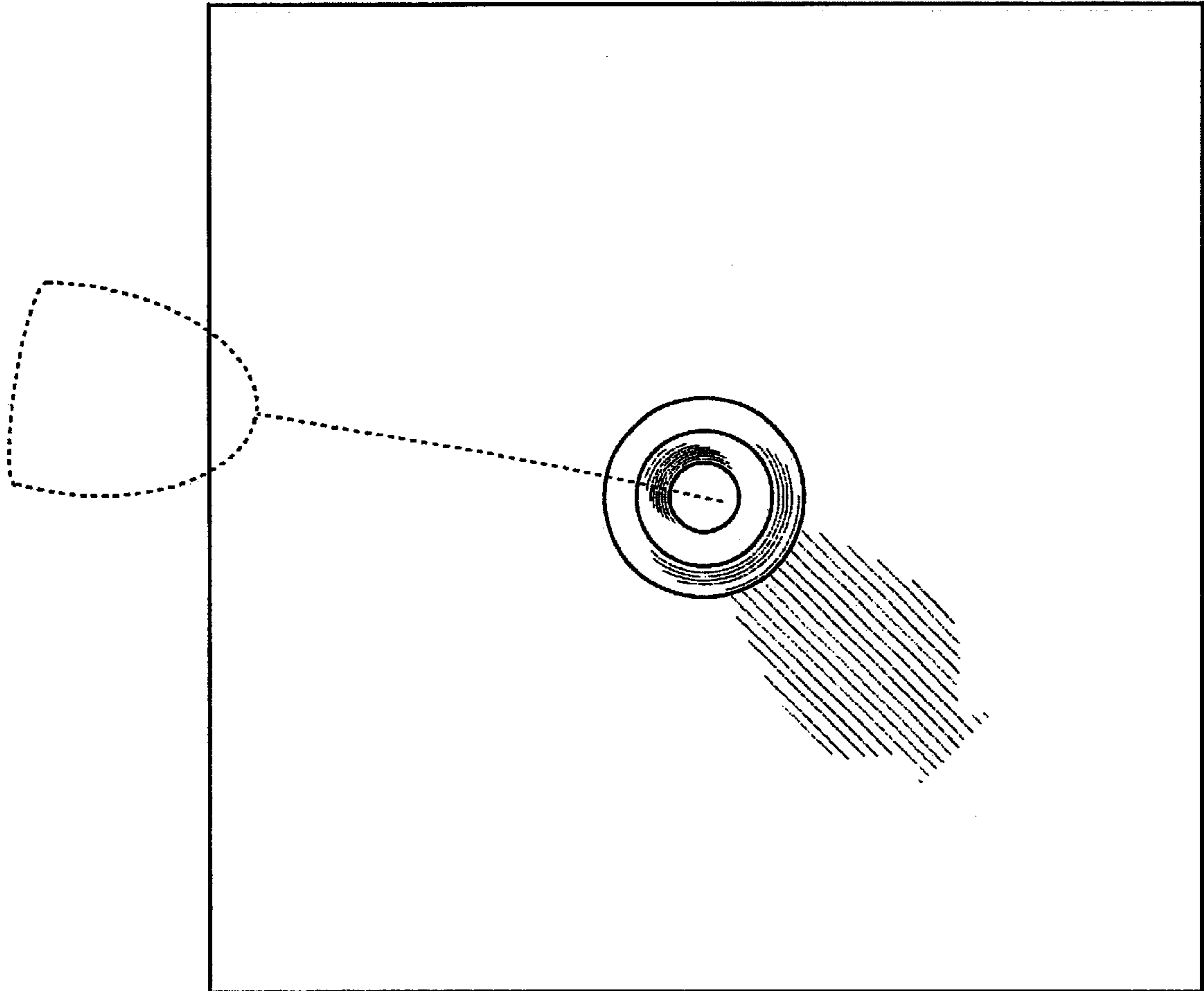


FIG. 4

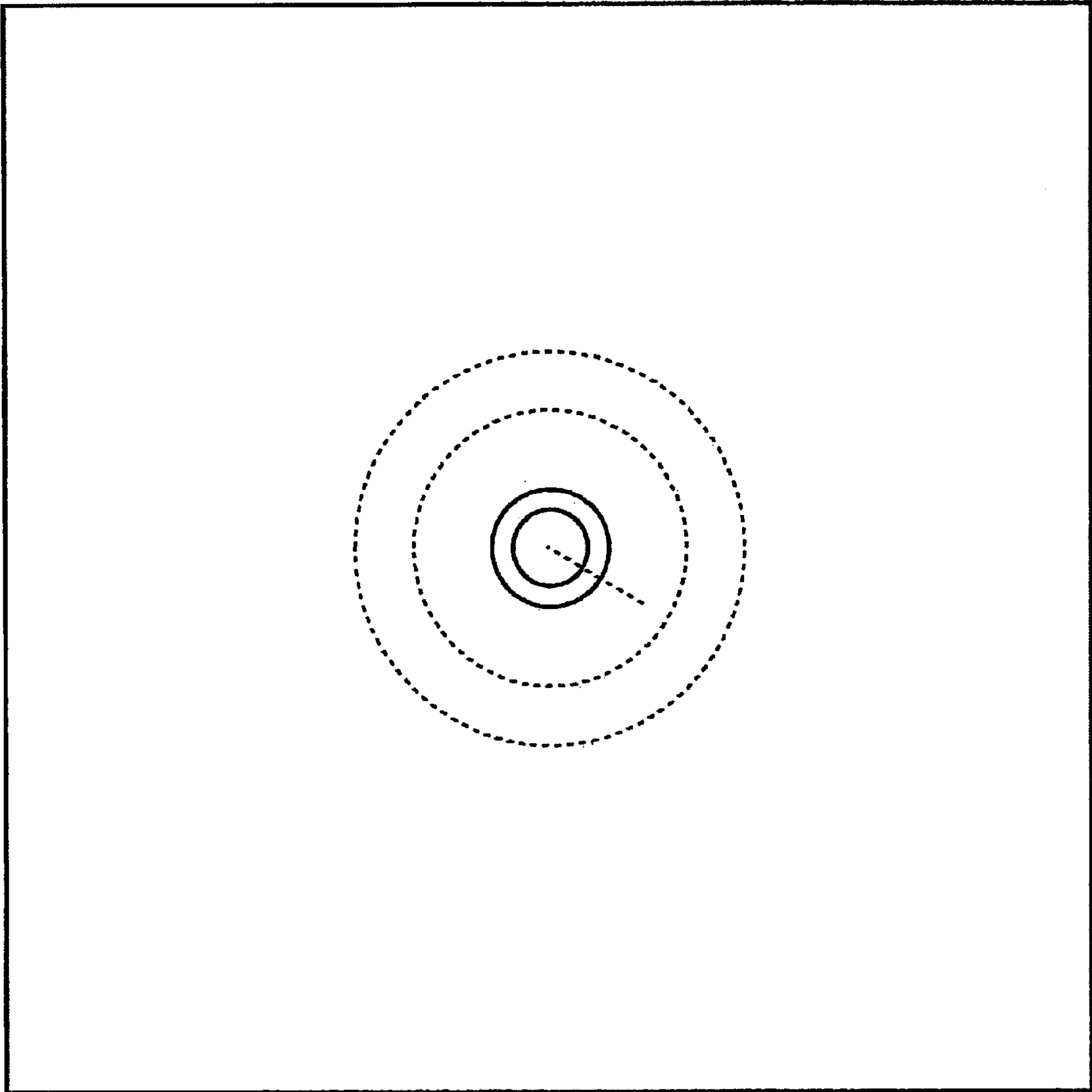


FIG. 5