



US00D482636S

(12) **United States Design Patent**
Pachauer

(10) **Patent No.:** **US D482,636 S**

(45) **Date of Patent:** **** Nov. 25, 2003**

(54) **JEWELRY SETTING**

(76) **Inventor:** **Werner Pachauer**, 2745 N. Narcoossee Rd., St. Cloud, FL (US) 34771

(**) **Term:** **14 Years**

(21) **Appl. No.:** **29/149,704**

(22) **Filed:** **Dec. 7, 2001**

(51) **LOC (7) Cl.** **11-01**

(52) **U.S. Cl.** **D11/91**

(58) **Field of Search** 63/15-15.9, 26-31;
D11/26-39, 40-42, 43-45, 75-78, 79-80,
89-92

(56) **References Cited**

U.S. PATENT DOCUMENTS

2,200,841 A	*	5/1940	Gaertner	63/27
D372,883 S	*	8/1996	Adler	D11/89
D373,971 S	*	9/1996	Katz	D11/90
D377,770 S	*	2/1997	Udco	D11/75
D379,776 S	*	6/1997	Spitzer	D11/90
D383,411 S	*	9/1997	Spitzer	D11/90
D388,016 S	*	12/1997	Kejajian	D11/91

D388,017 S	*	12/1997	Kejajian	D11/91
D447,717 S	*	9/2001	Siebenberg	D11/90
6,389,846 B1	*	5/2002	Siebenberg	63/26
D460,017 S	*	7/2002	Chan	D11/91

OTHER PUBLICATIONS

JCK Jun. 2001□□p. 81 insert showing 4stone circular settings with prongs.*

Macy's Department Store Flier #702□□Jul. 24, 2002, p. 10 "Pie-cut Studs".*

* cited by examiner

Primary Examiner—Louis S. Zarfaz

Assistant Examiner—Deanne Levy

(57) **CLAIM**

The ornamental design for a jewelry setting, as shown.

DESCRIPTION

FIG. 1 is a top plan view of my new design jewelry setting. FIG. 2 is a side elevation view of jewelry setting; and, FIG. 3 is a top perspective view of jewelry setting shown in FIG. 1 and FIG. 2.

1 Claim, 3 Drawing Sheets

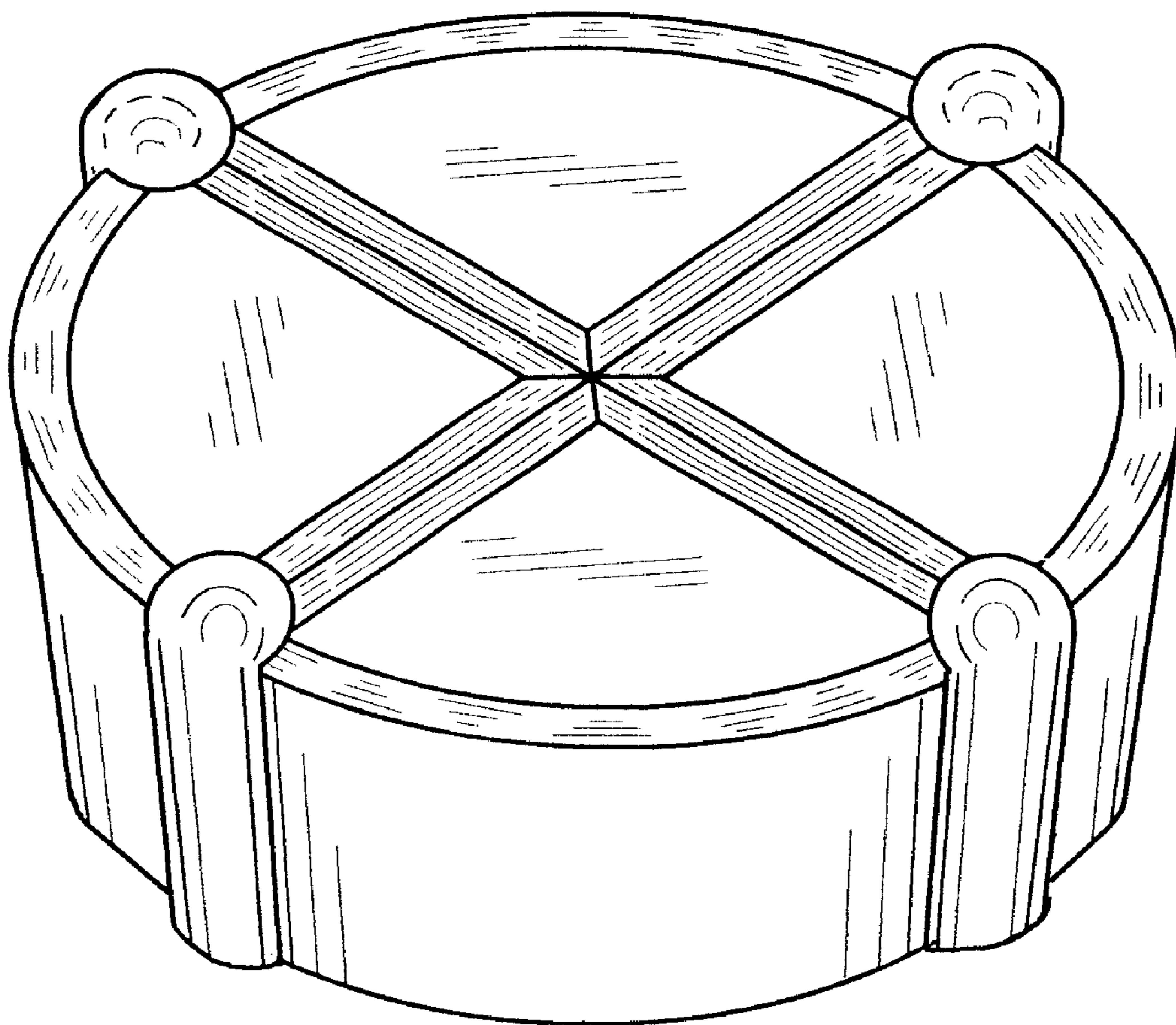


Figure 1

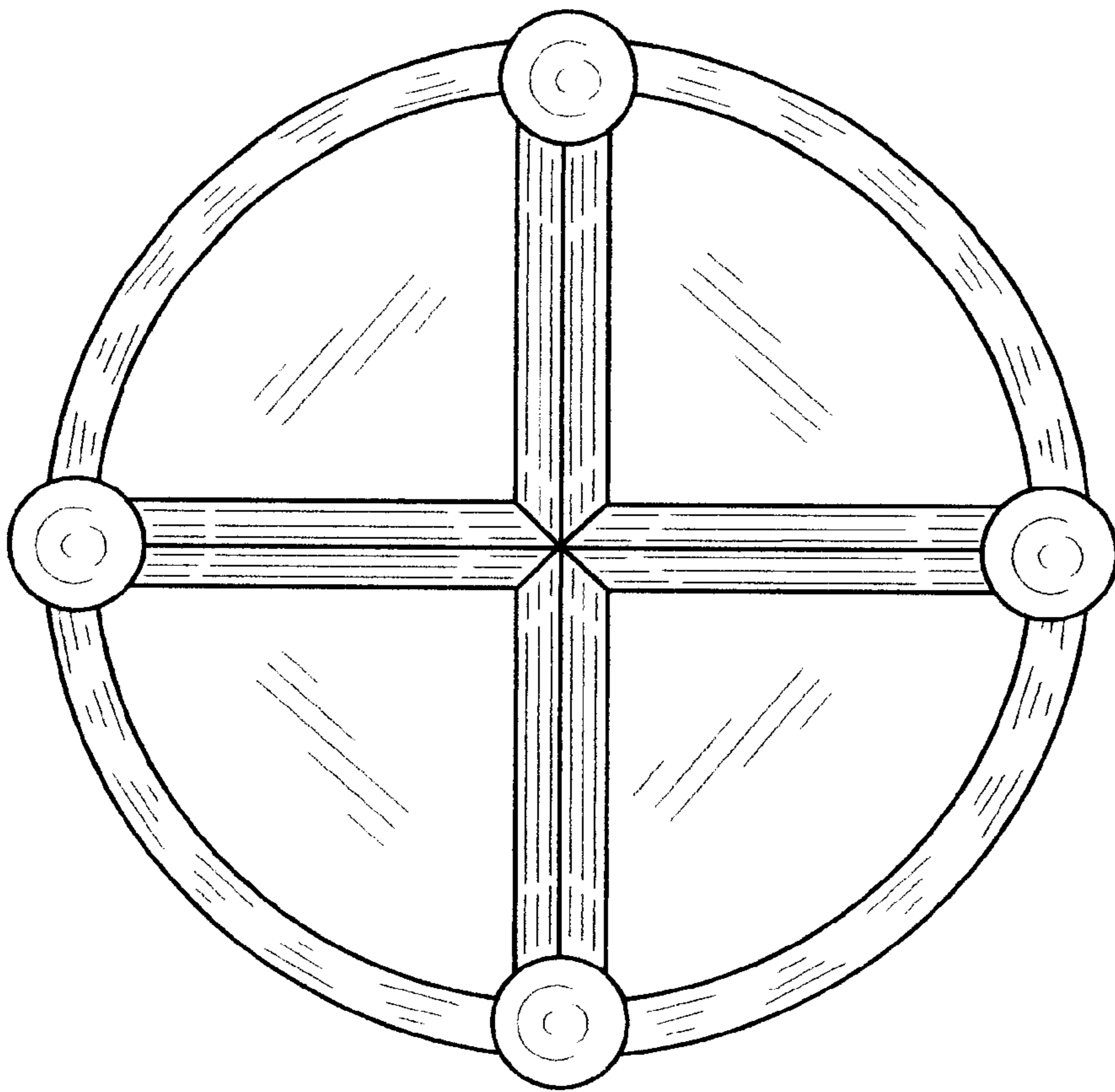


Figure 2

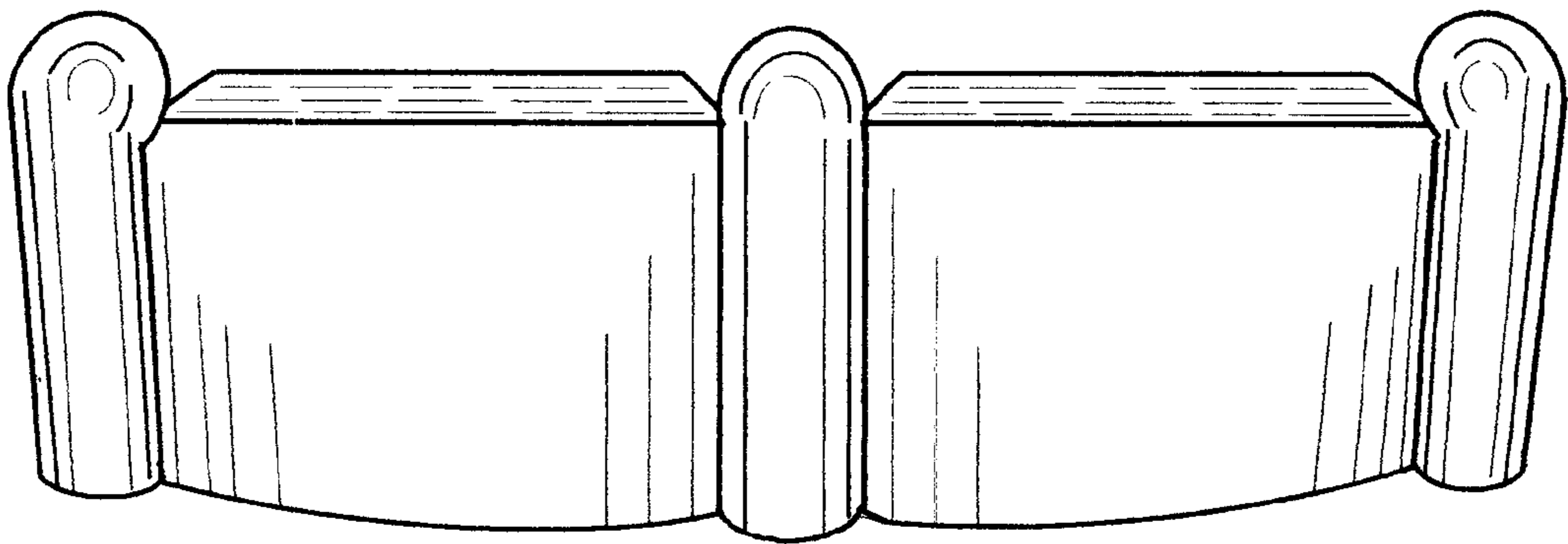


Figure 3

