



US00D482635S

(12) **United States Design Patent**
Tejima

(10) **Patent No.:** **US D482,635 S**
(45) **Date of Patent:** **** Nov. 25, 2003**

(54) **BUCKLE**

(75) Inventor: **Masaru Tejima**, Kashiwa (JP)

(73) Assignee: **Teplas Co., Ltd.**, Chiba (JP)

(**) Term: **14 Years**

(21) Appl. No.: **29/167,116**

(22) Filed: **Sep. 9, 2002**

(30) **Foreign Application Priority Data**

Mar. 11, 2002 (JP) 2002-006230

(51) **LOC (7) Cl.** **11-01**

(52) **U.S. Cl.** **D11/87; D11/216**

(58) **Field of Search** **D11/200, 201, D11/212-214, 210, 216, 218, 86-87, 231-232, 234, 236, 238; 24/615, 616, 196, 326, 316, 644, 174, 185, 194, 455, 371, 368**

(56) **References Cited**

U.S. PATENT DOCUMENTS

2,986,792 A *	6/1961	Wyatt	24/616
D264,828 S *	6/1982	Gray	D11/87
D295,268 S *	4/1988	Riethmann	D11/87
5,231,740 A *	8/1993	Mohebkhosravi	24/616
D360,848 S *	8/1995	Koven	D11/87
D373,325 S *	9/1996	Koven	D11/87

* cited by examiner

Primary Examiner—Ralf Seifert

(74) *Attorney, Agent, or Firm*—Jordan and Hamburg LLP

(57) **CLAIM**

The ornamental design for a buckle, as shown and described.

DESCRIPTION

FIG. 1 is a front elevational view of a buckle showing my new design;

FIG. 2 is a right side elevational view thereof;

FIG. 3 is a left side elevational view thereof;

FIG. 4 is a top plan view thereof;

FIG. 5 is a rear elevational view thereof;

FIG. 6 is a bottom plan view thereof;

FIG. 7 is a cross-sectional view taken along the line A—A in FIG. 1;

FIG. 8 is a perspective view thereof;

FIG. 9 is a front elevational view of the male portion of the buckle of my new design;

FIG. 10 is a right side elevational view of the male portion;

FIG. 11 is a left side elevational view of the male portion;

FIG. 12 is a top plan view of the male portion;

FIG. 13 is a rear elevational view of the male portion;

FIG. 14 is a bottom plan view of the male portion;

FIG. 15 is a cross-sectional view taken along the line B—B in FIG. 9;

FIG. 16 is a perspective view of the male portion;

FIG. 17 is a front elevational view of the female portion of the buckle of my new design;

FIG. 18 is a right side elevational view of the female portion;

FIG. 19 is a left side elevational view of the female portion;

FIG. 20 is a top plan view of the female portion;

FIG. 21 is a rear elevational view of the female portion;

FIG. 22 is a bottom plan view of the female portion;

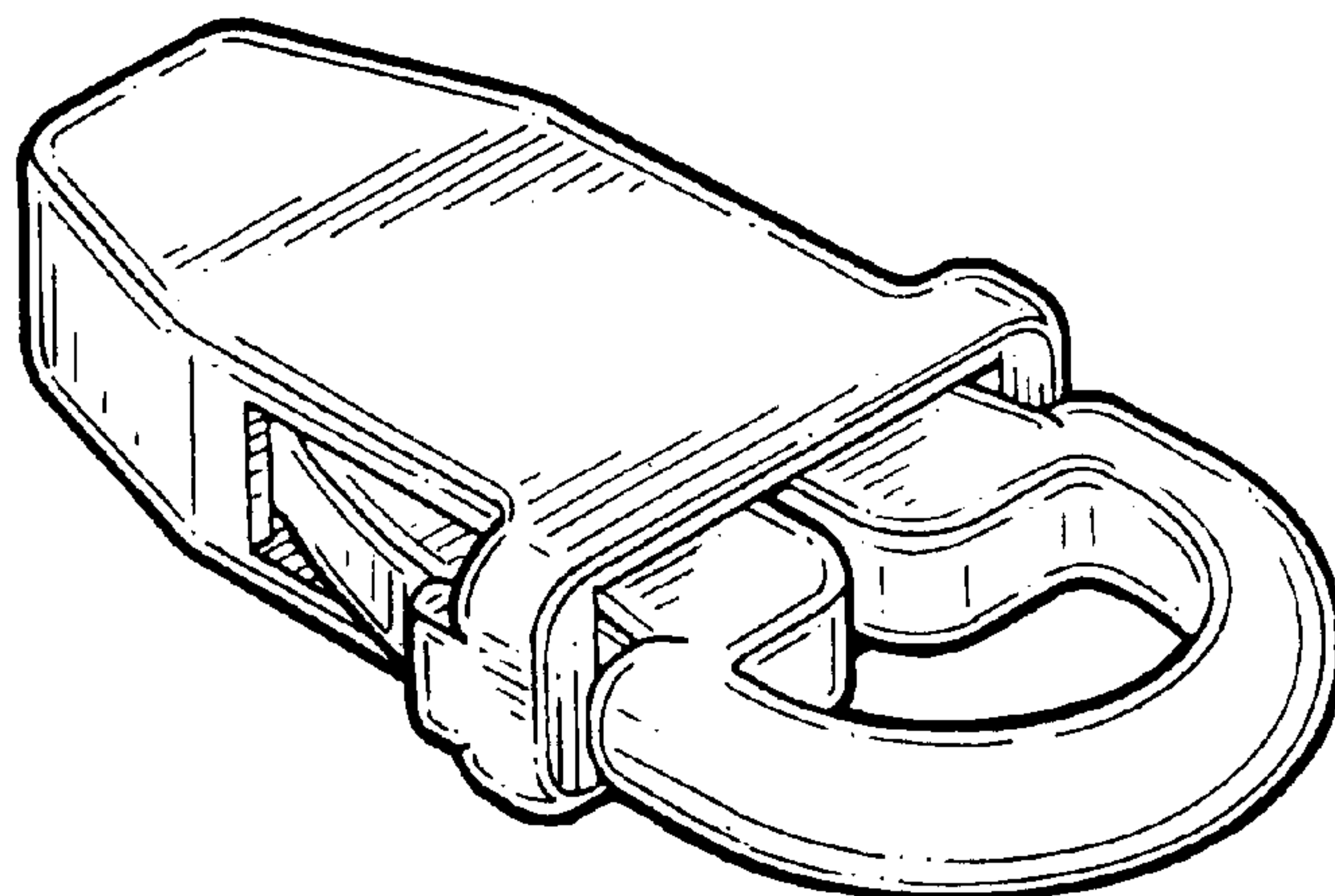
FIG. 23 is a cross-sectional view taken along the line C—C in FIG. 17;

FIG. 24 is a perspective view of the female portion; and,

FIG. 25 is a perspective view of the buckle used in conjunction with a strap.

This product is a buckle for use in a portable strap composed of a male section and a female section. A small hole is placed on the left side of the female section for attachment of a slim line. There is a loop segment on the right side of the male section for attachment of belt, keys, decorative figurines, etc. The rear view and the front view are mirror images of each other, as are the bottom view and the top view. The male rear view and the male front view are mirror images of each other, as are the male bottom view and the male top view. The female rear view and the female front view are mirror images of each other, as are the female bottom view and the female top view. Therefore these are abbreviated.

1 Claim, 8 Drawing Sheets



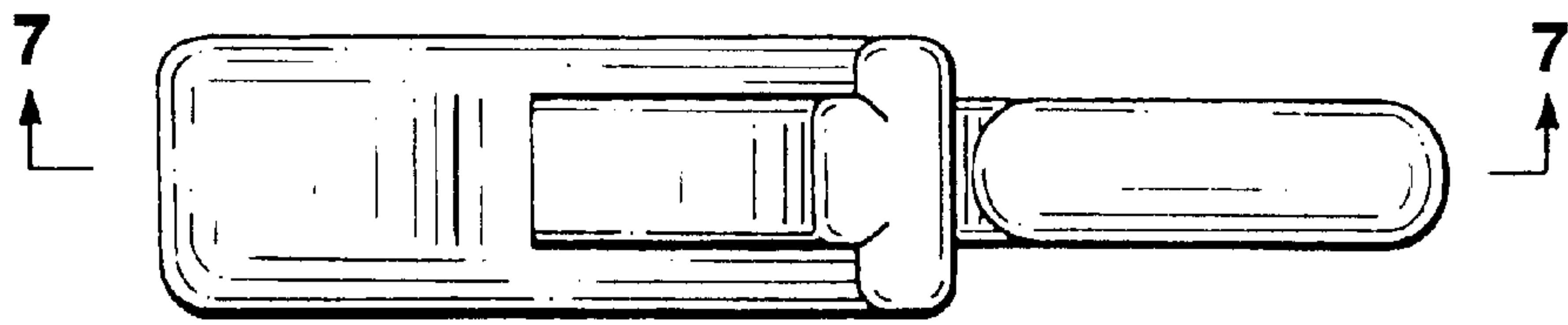


Fig. 1

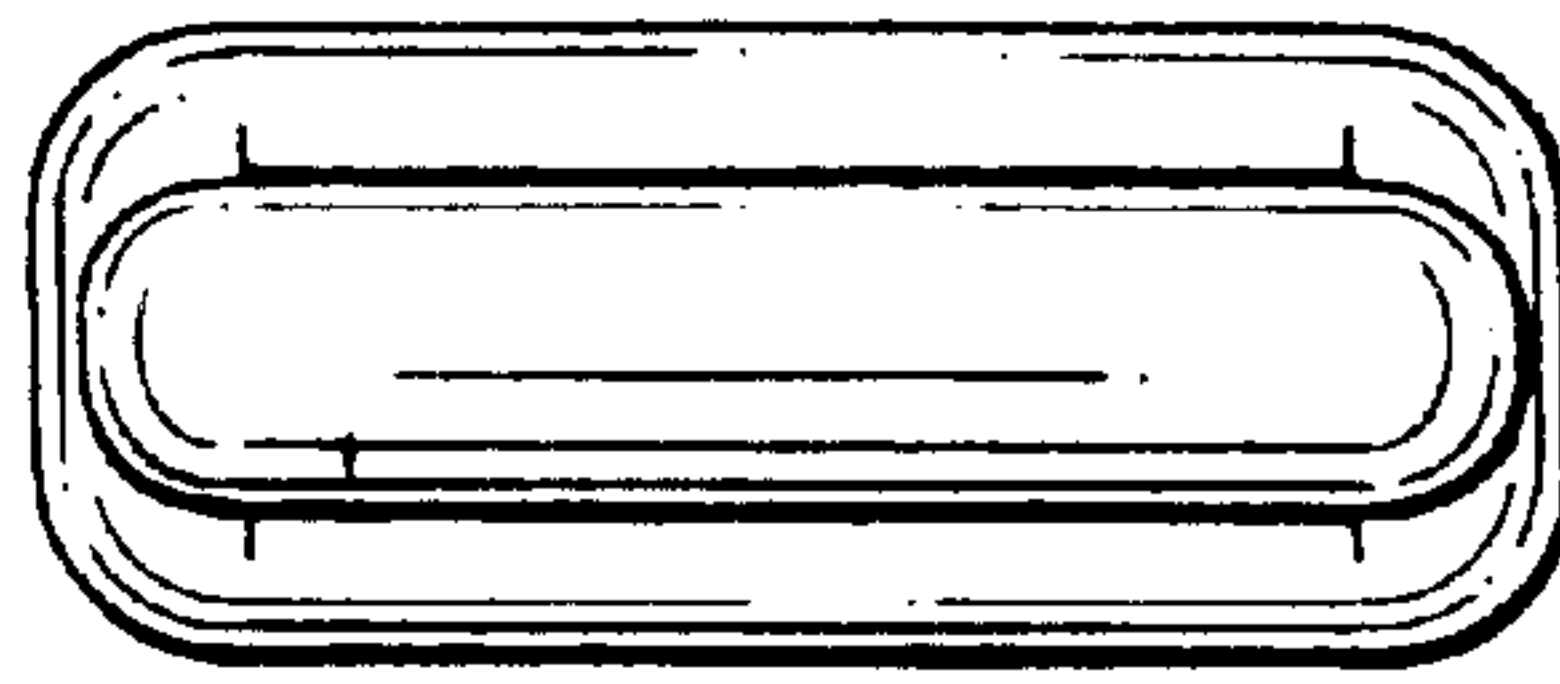


Fig. 2

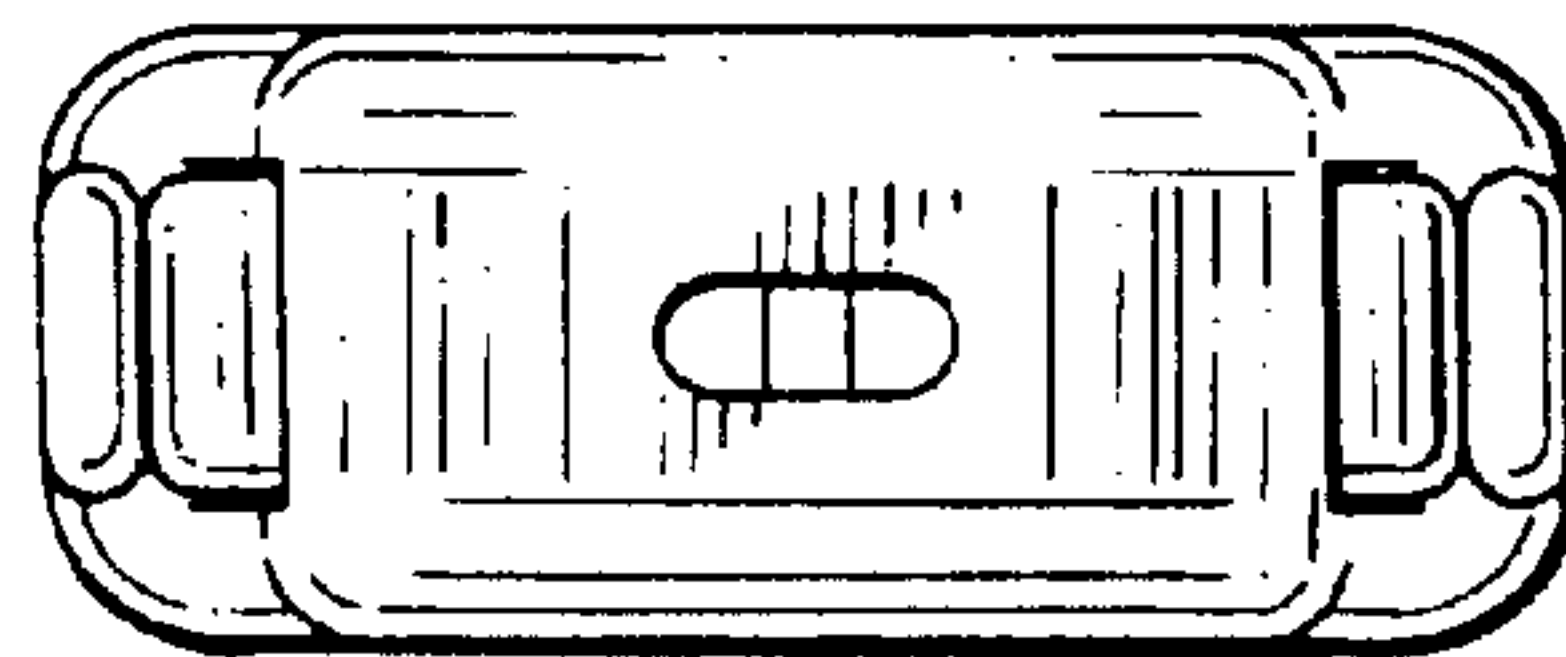


Fig. 3

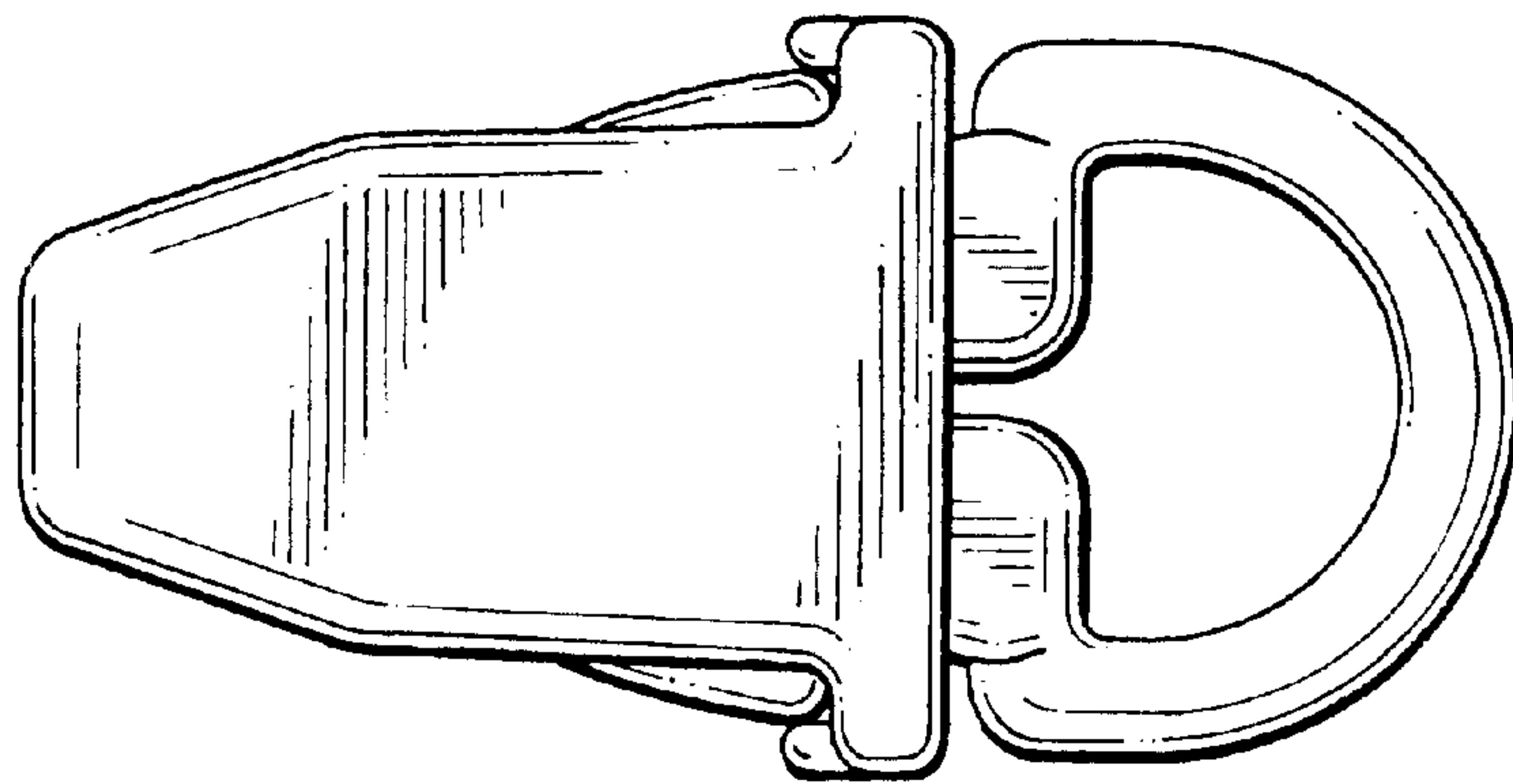


Fig. 4

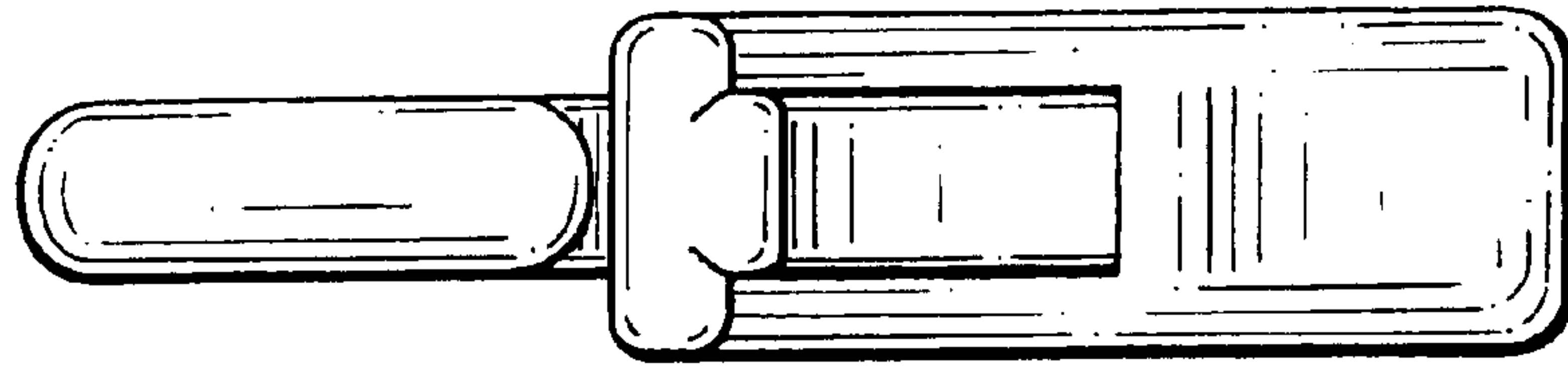


Fig. 5

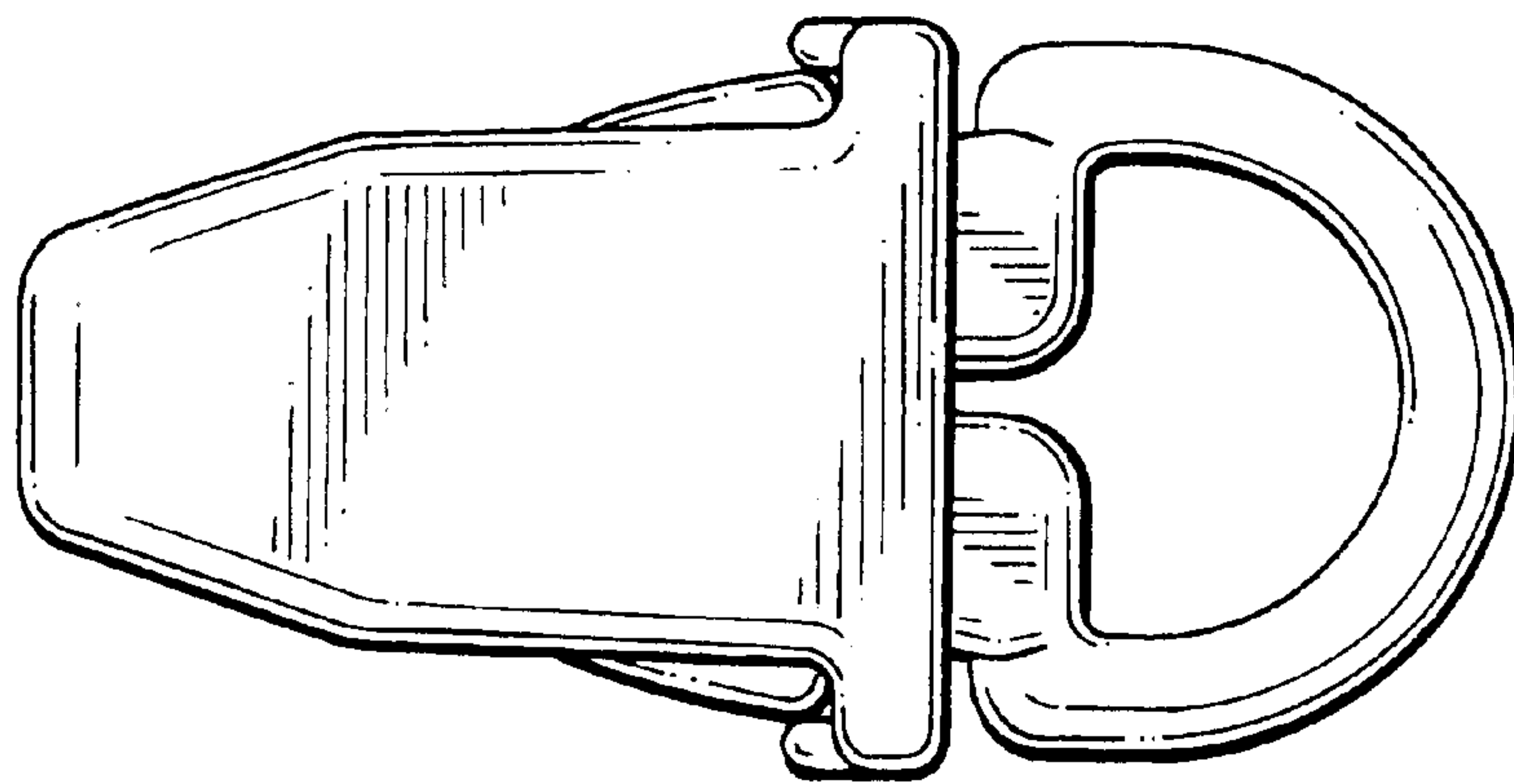


Fig. 6

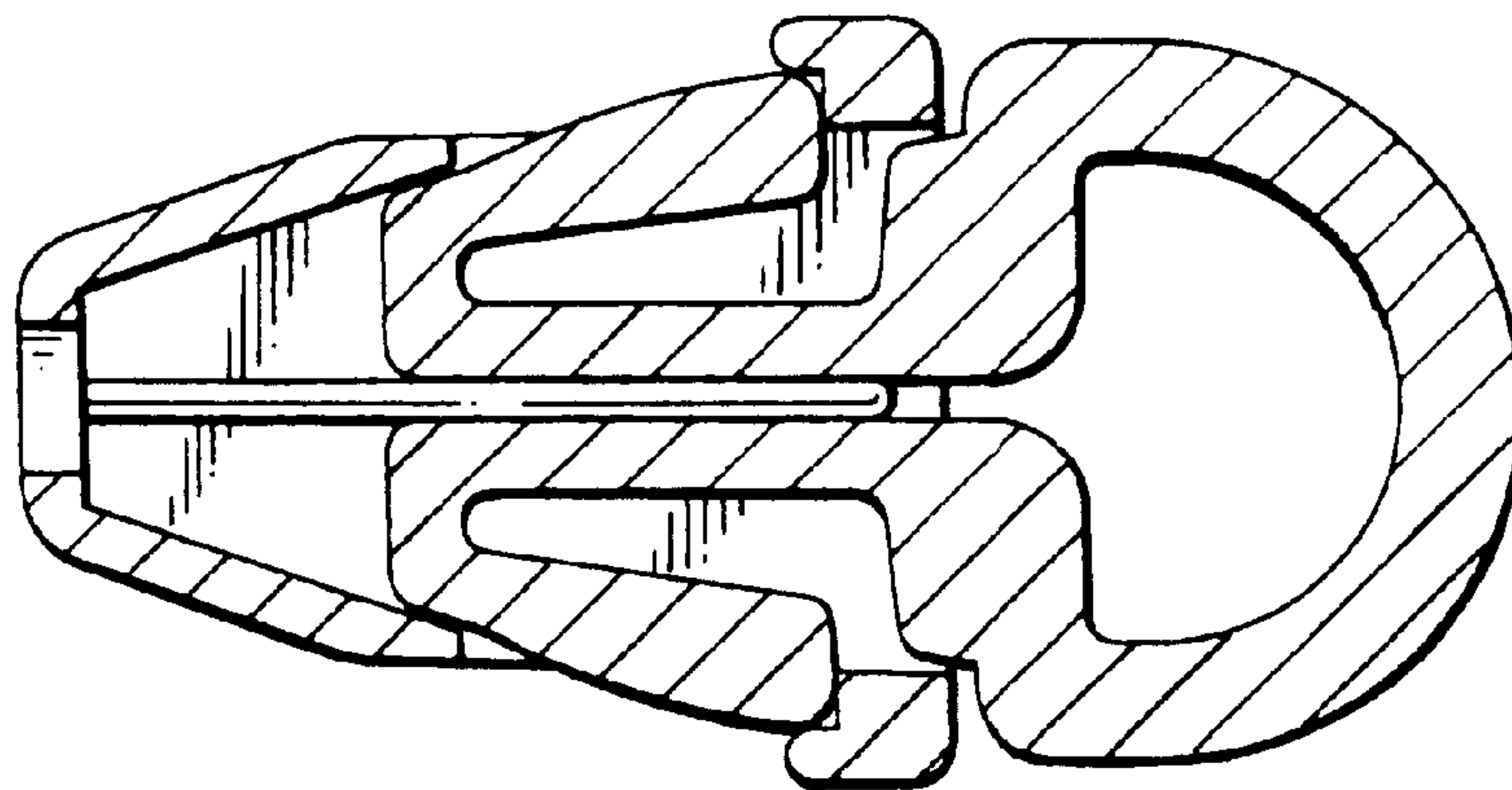


Fig. 7

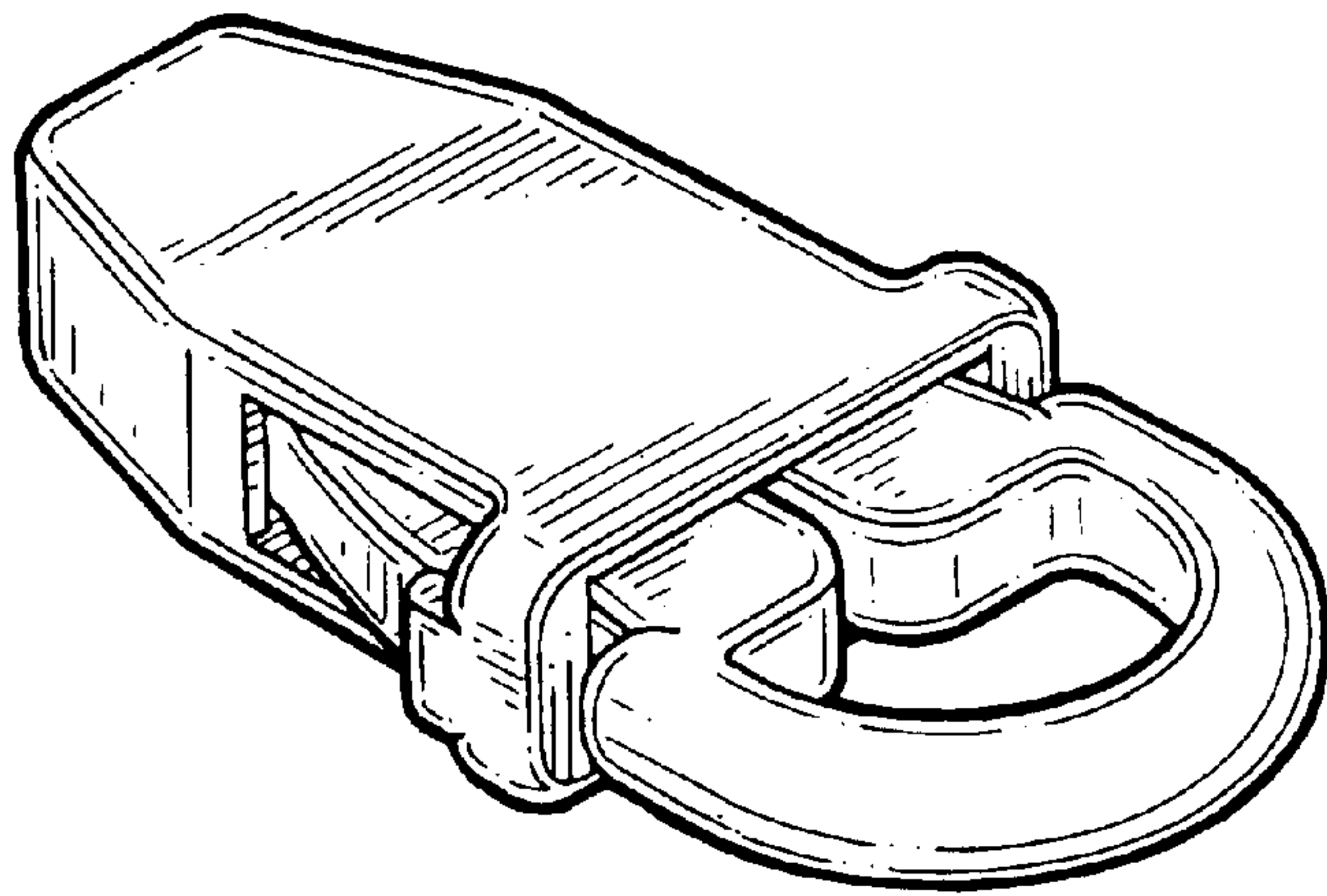


Fig. 8

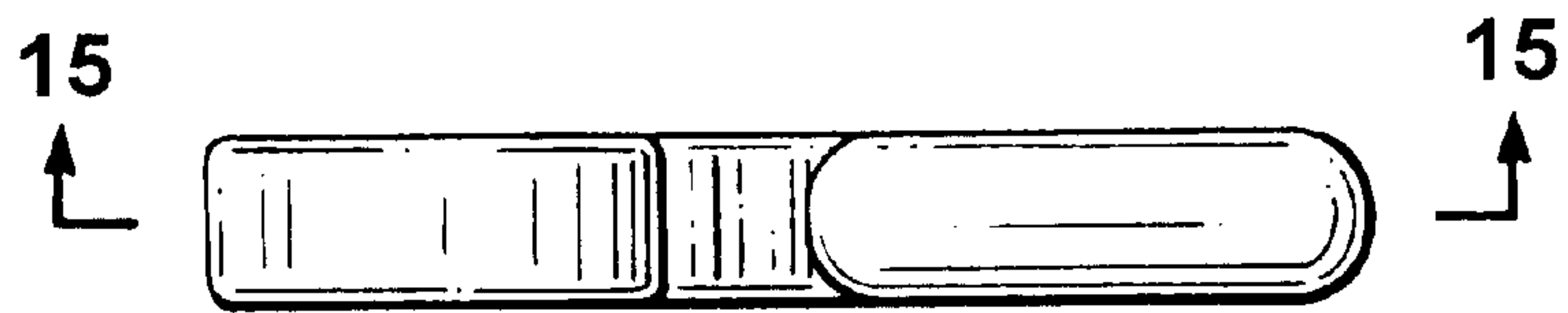


Fig. 9

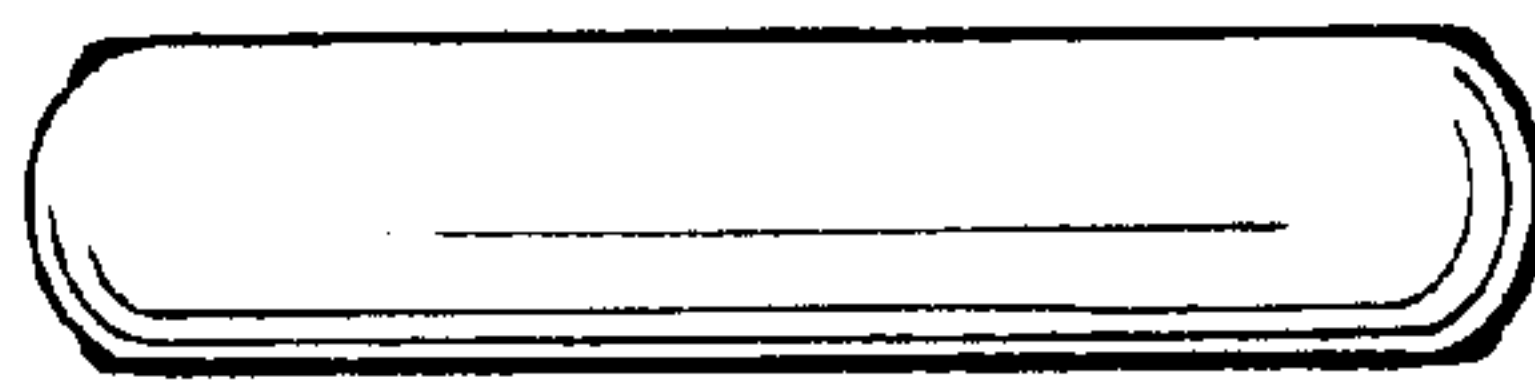


Fig. 10



Fig. 11

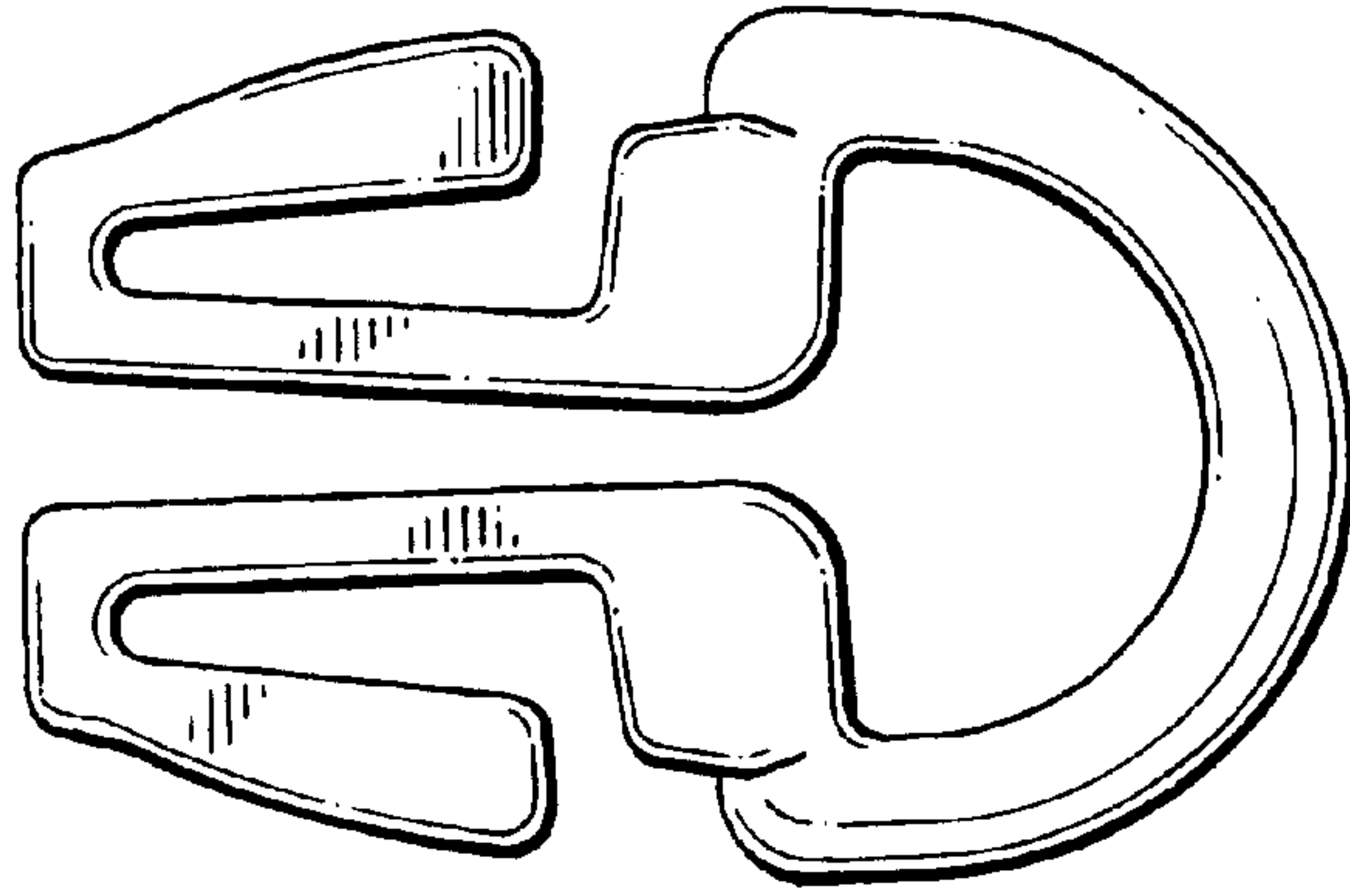


Fig. 12



Fig. 13

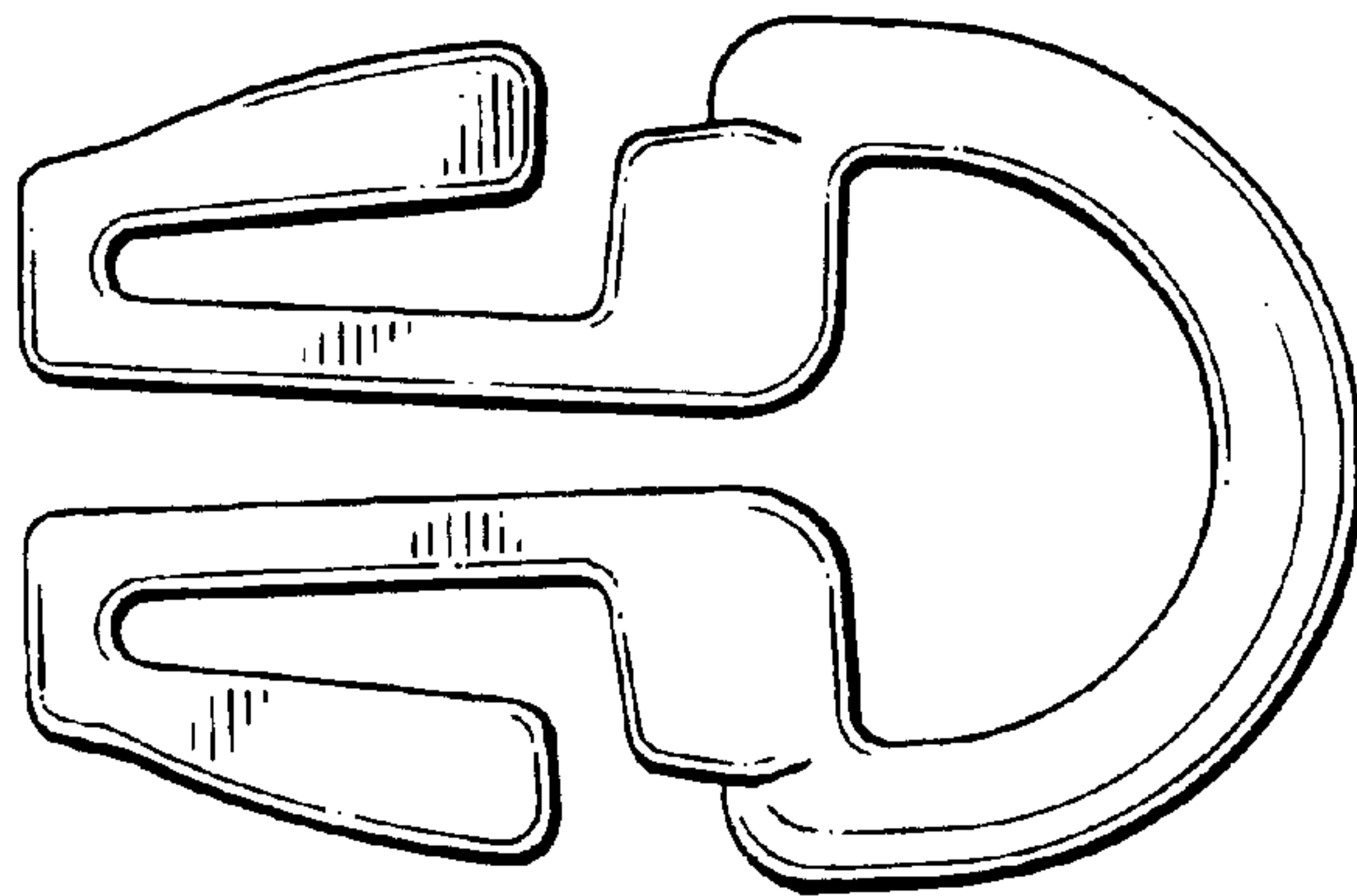


Fig. 14

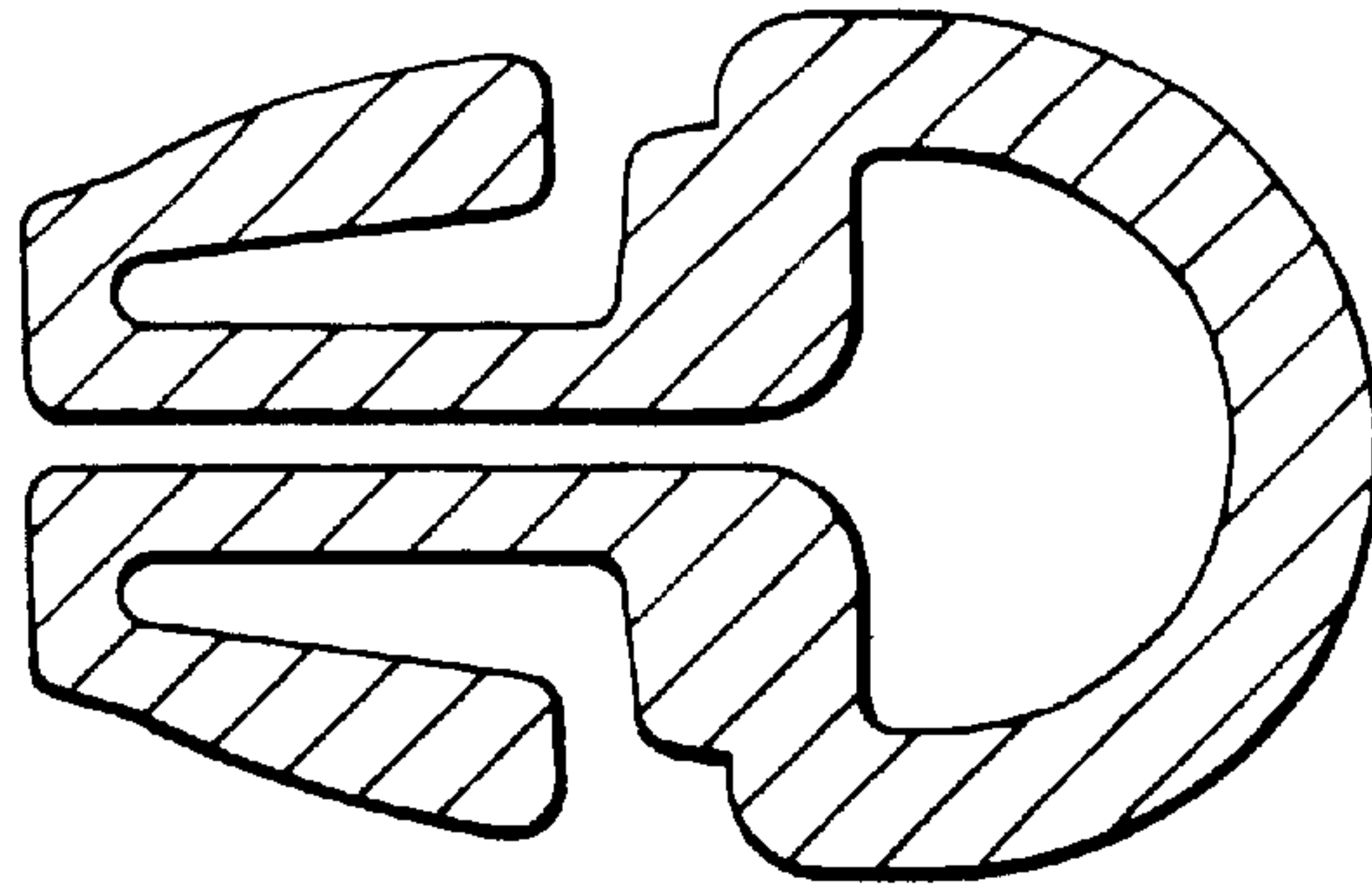


Fig. 15

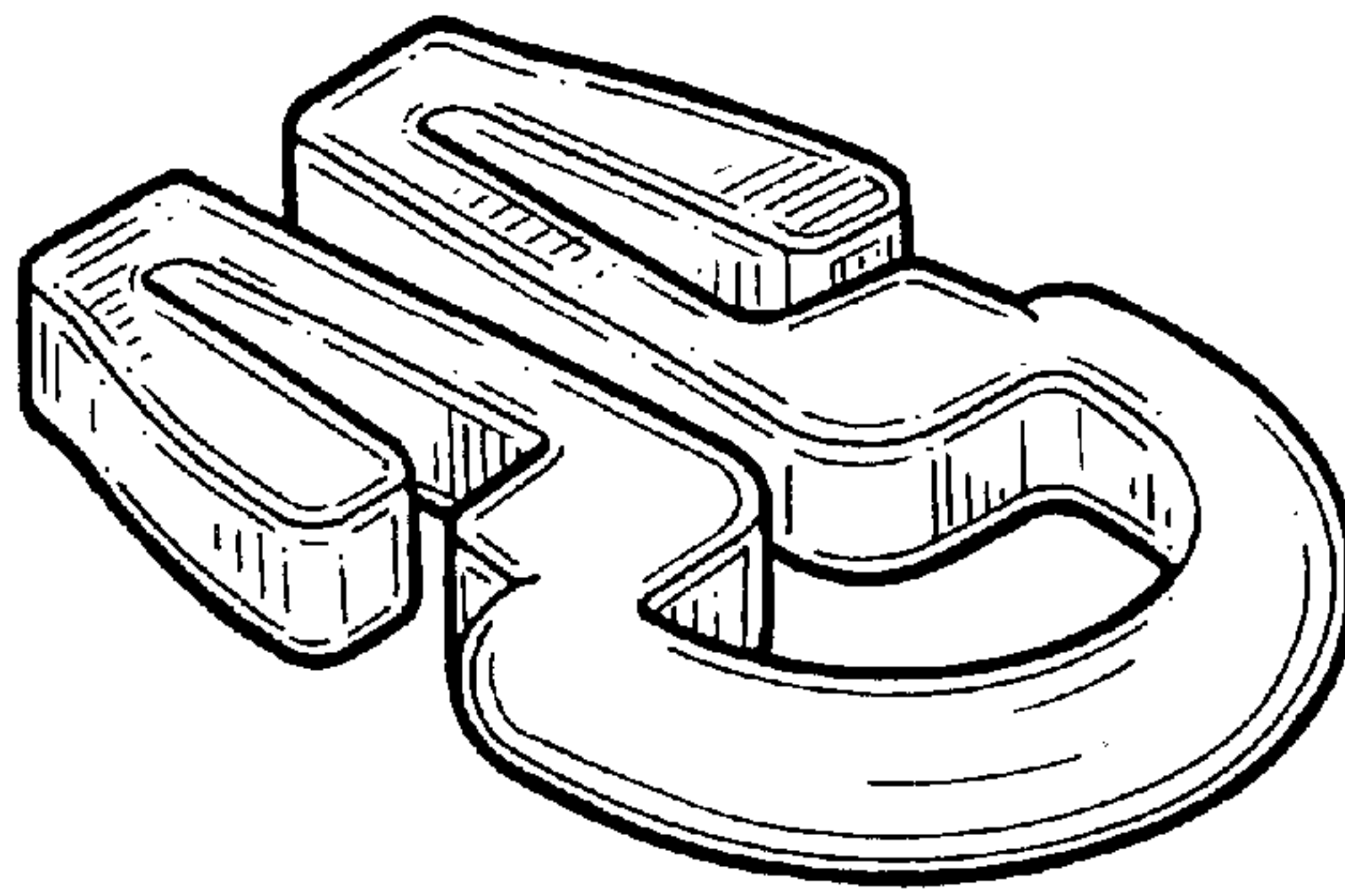


Fig. 16

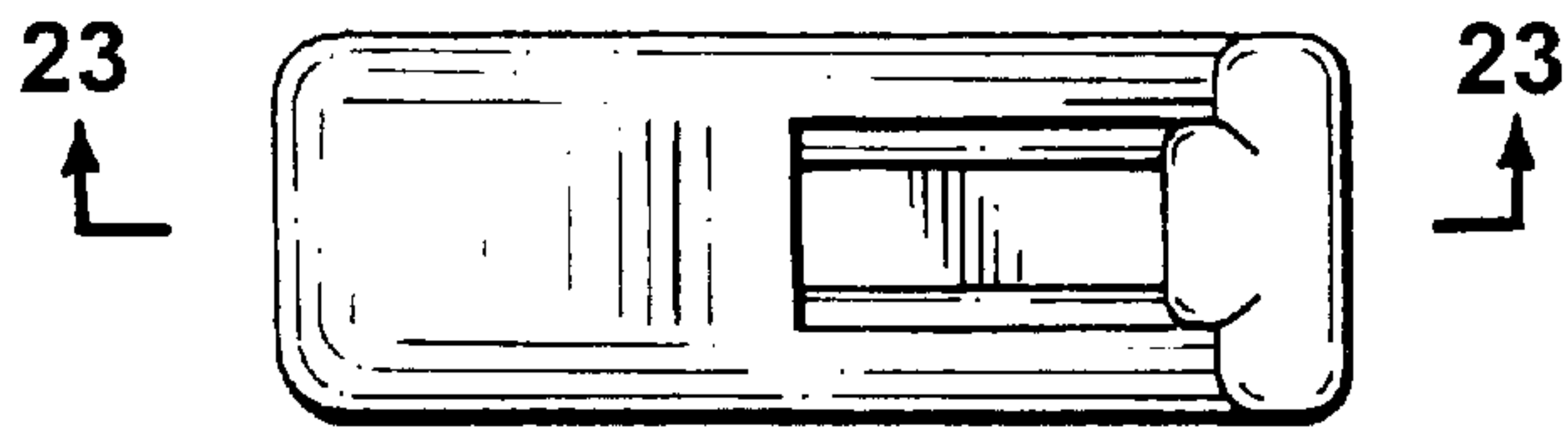


Fig. 17

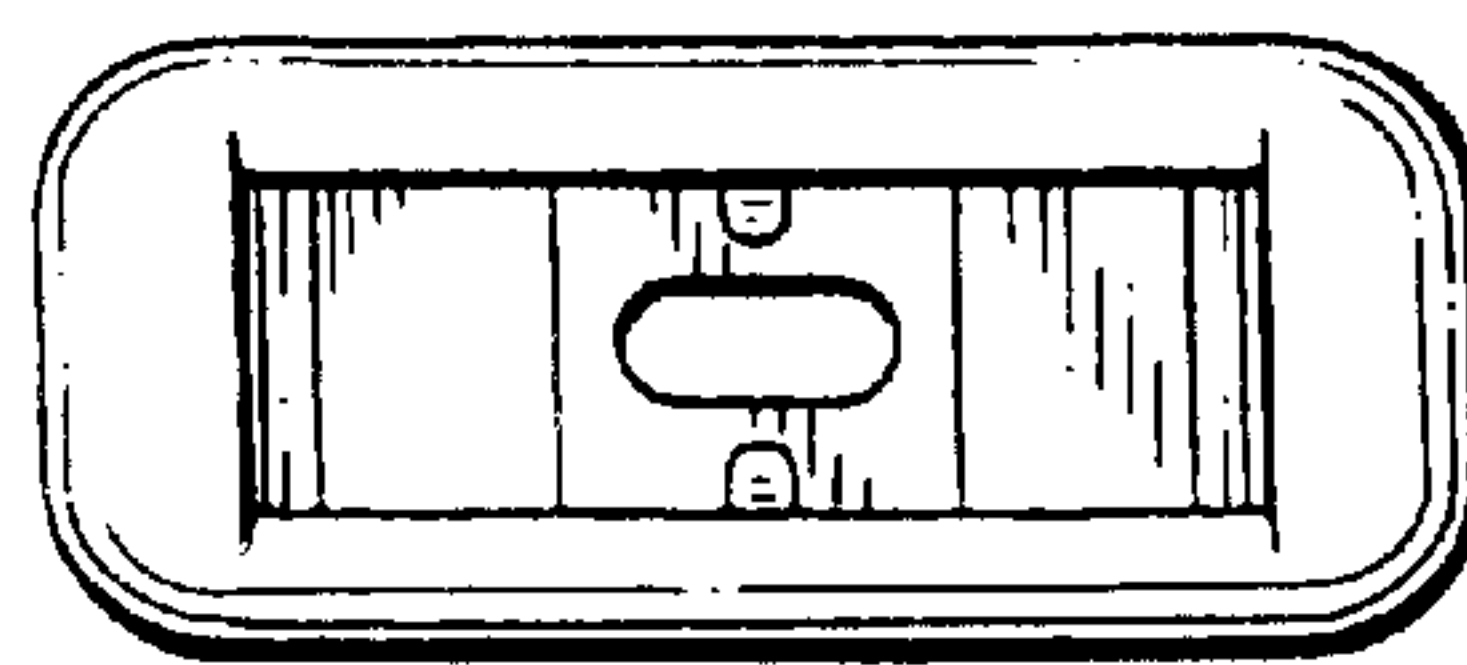


Fig. 18

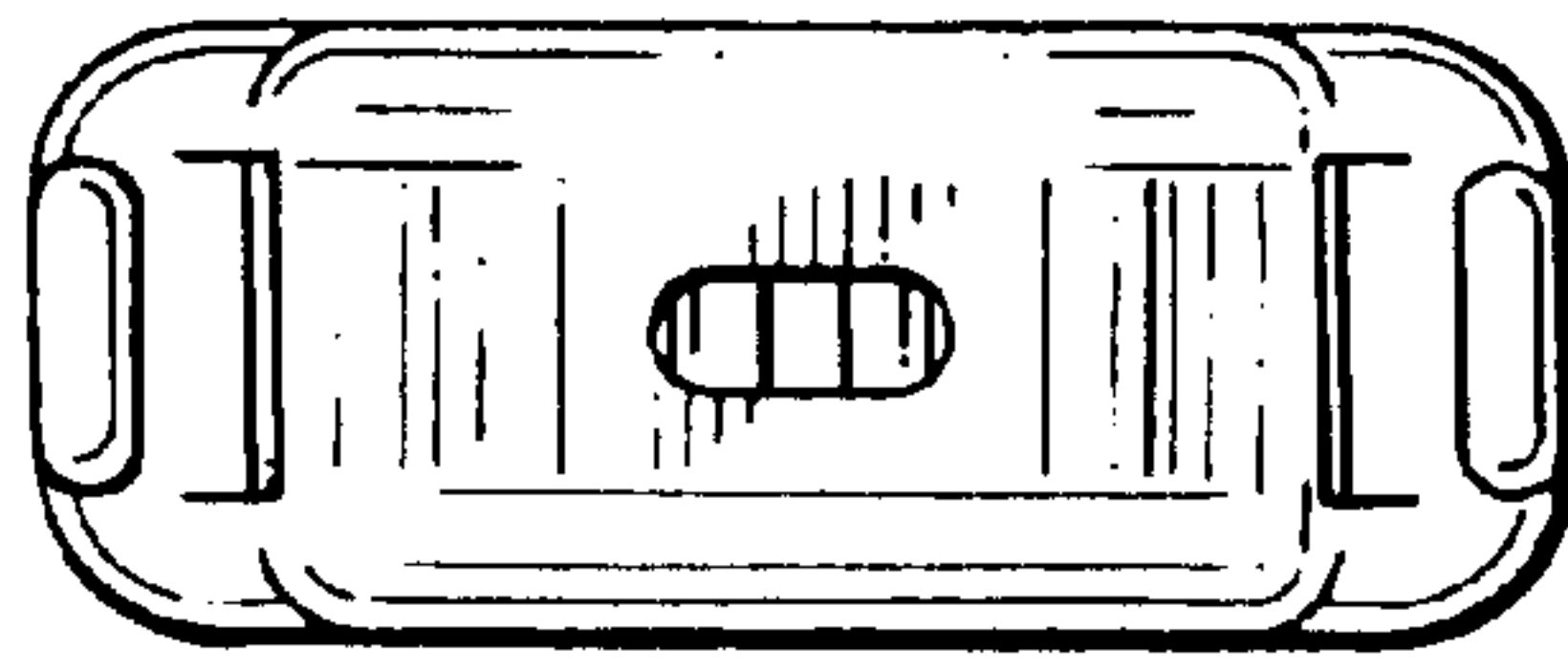


Fig. 19

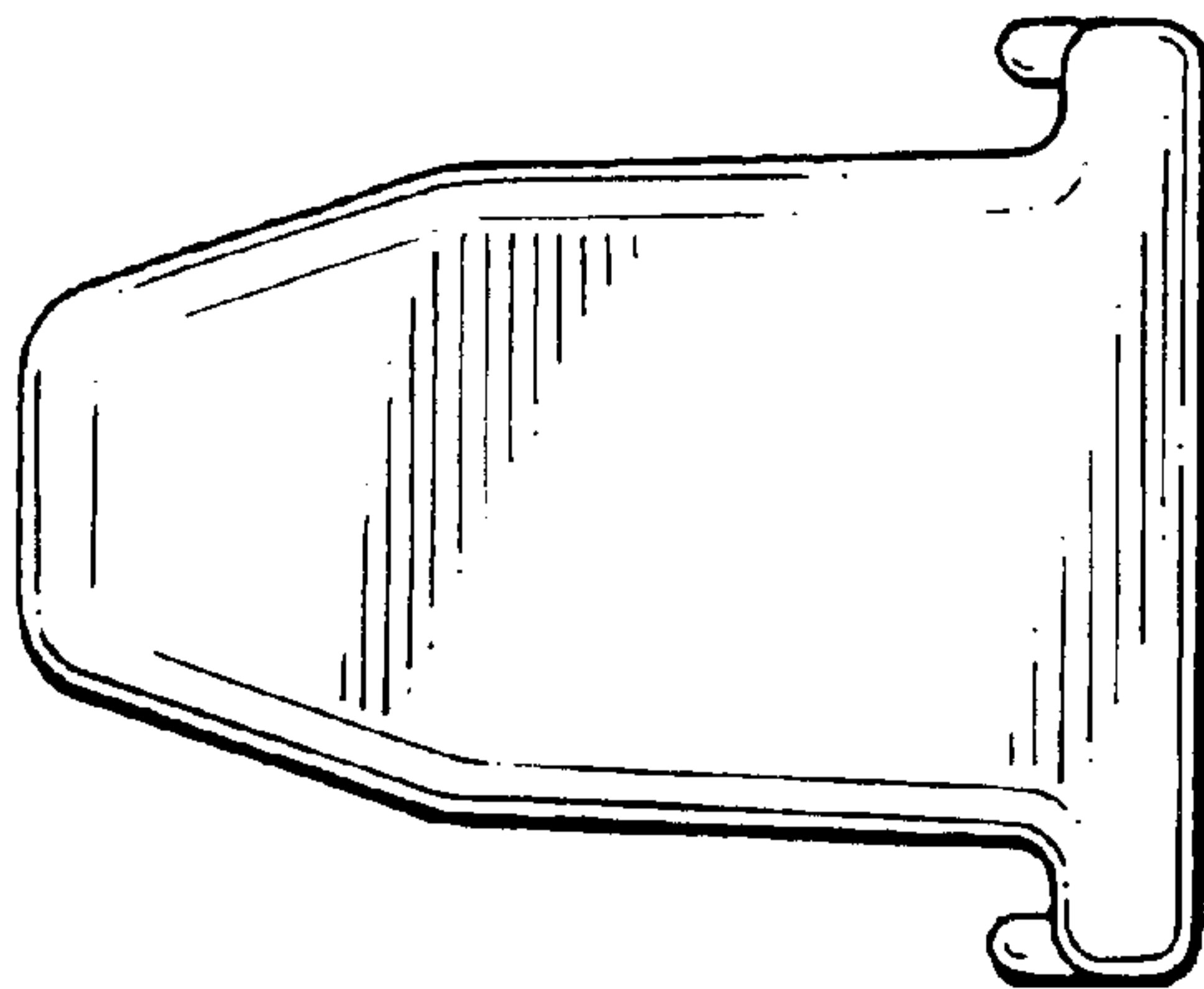


Fig. 20

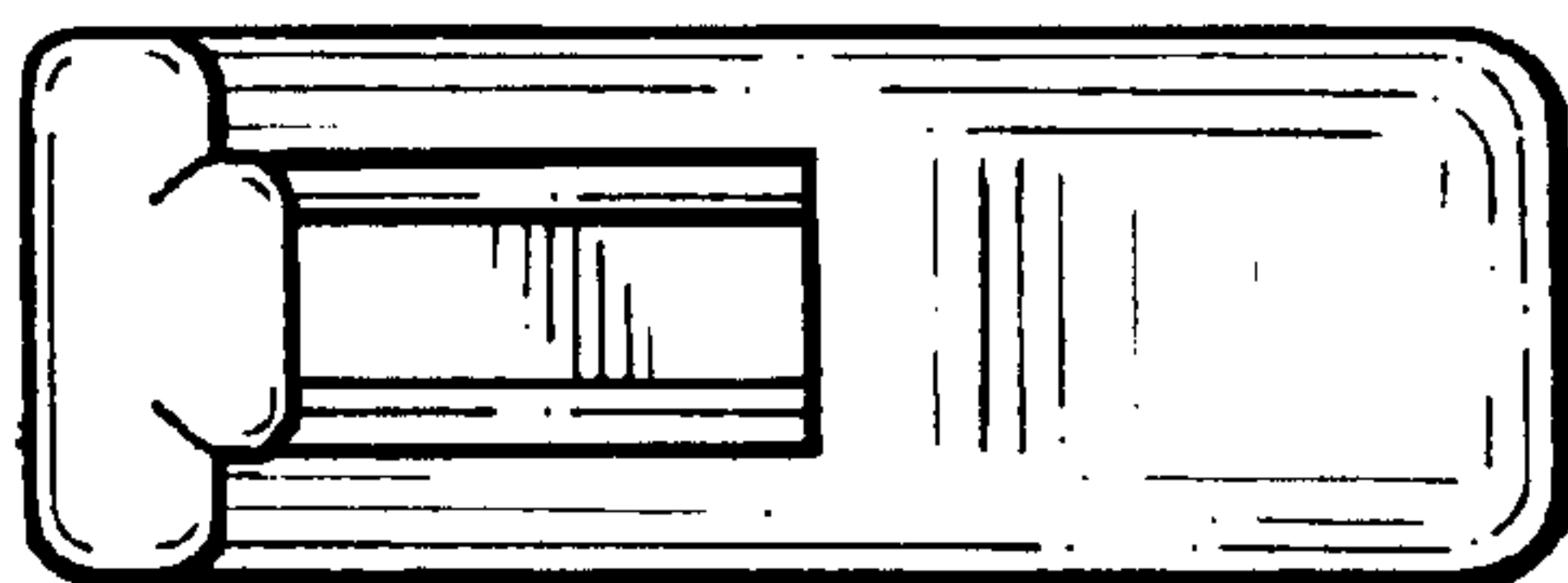


Fig. 21

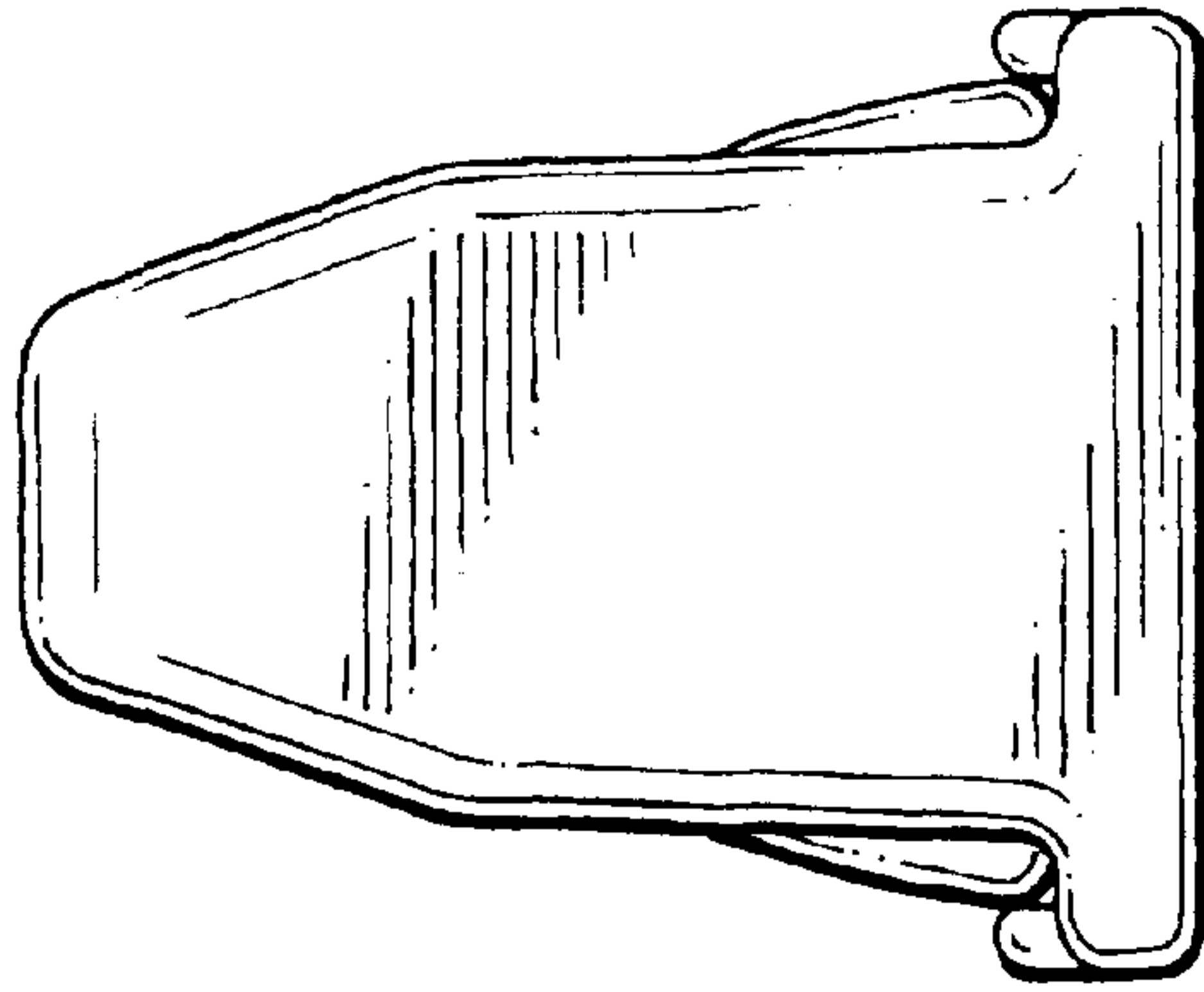


Fig. 22

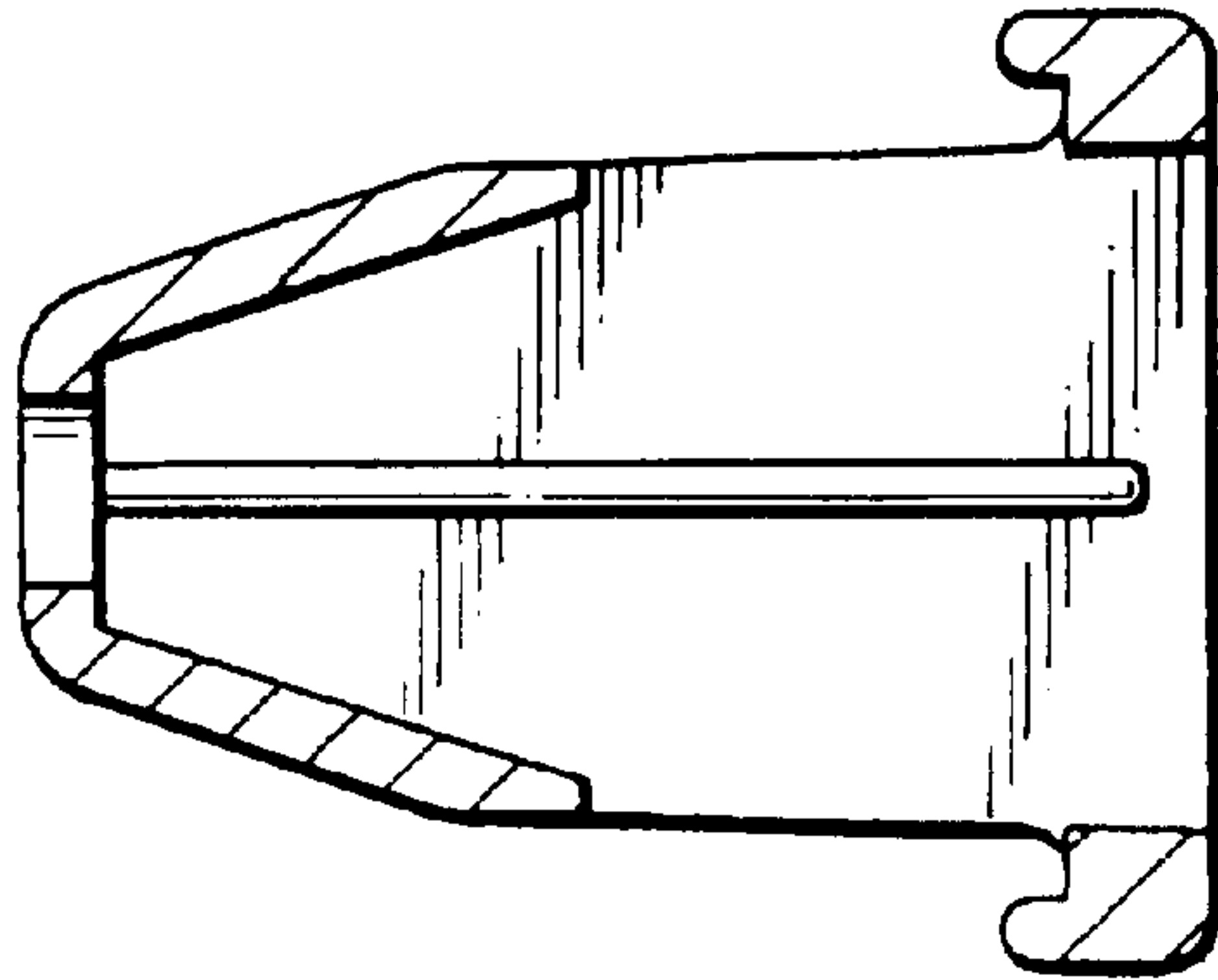


Fig. 23

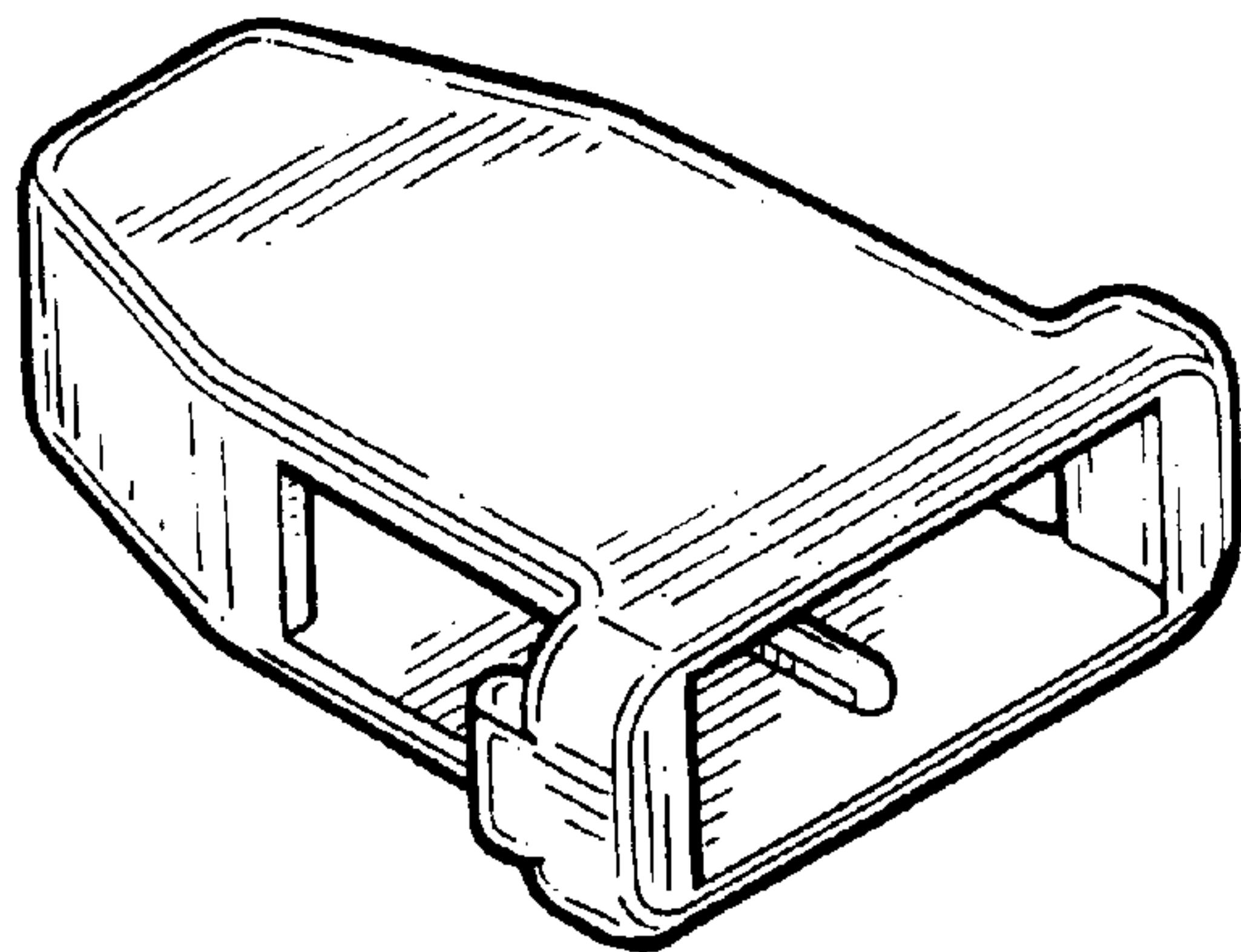


Fig. 24

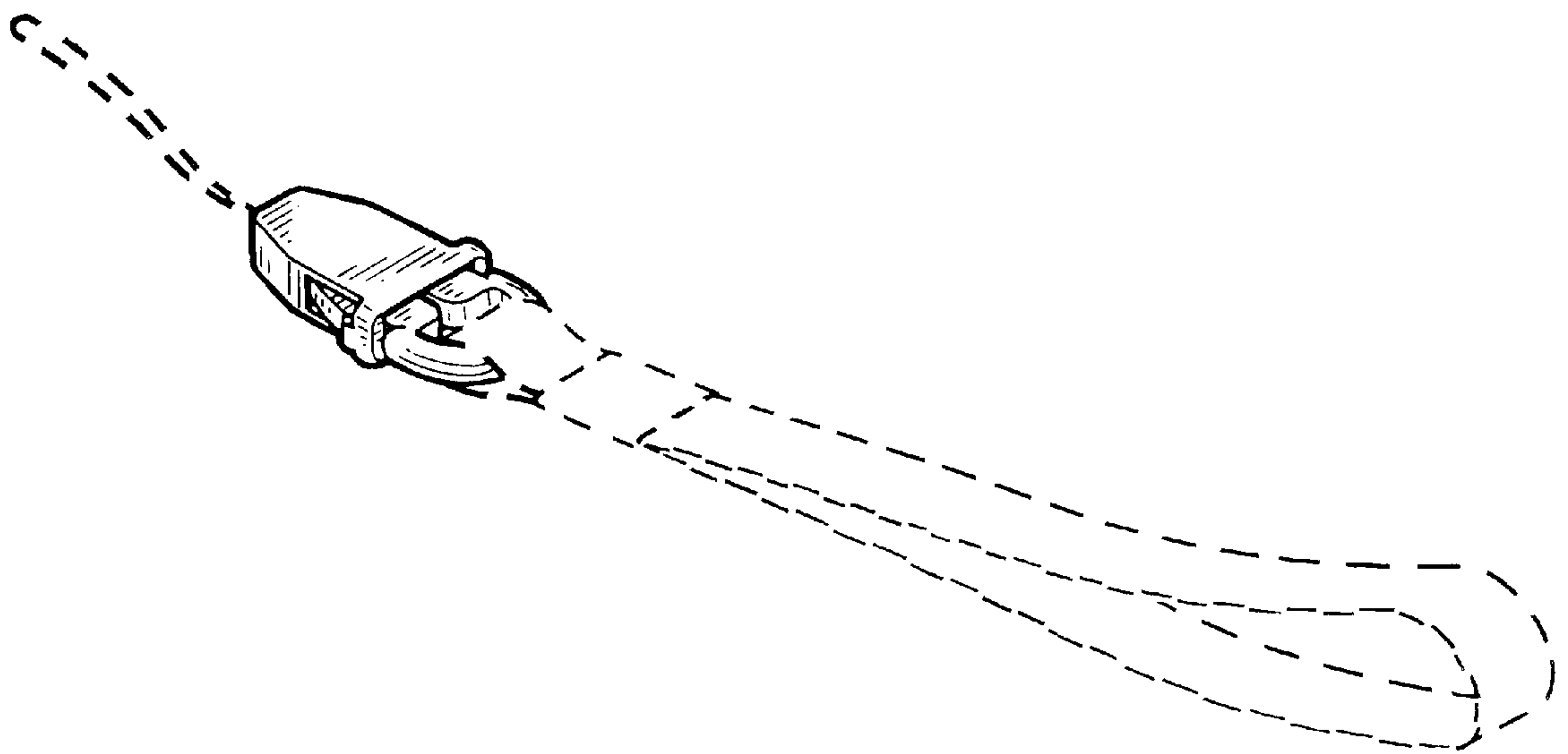


Fig. 25