



US00D482628S

(12) **United States Design Patent**  
**Rollason et al.**

(10) **Patent No.:** **US D482,628 S**

(45) **Date of Patent:** **\*\* Nov. 25, 2003**

(54) **LINE VOLTAGE MONITORING DEVICE**

5,739,640 A \* 4/1998 Noble ..... 315/119  
D472,827 S \* 4/2003 Harju et al. .... D10/78

(76) Inventors: **Bryan Rollason**, Fairbank, Pollard Avenue, Eldwick, Bingley (GB), BD16 3DD; **Gene Letchford**, Bryan Alyn, Fron Park, Holywell, Flintshire (GB), CH8 7SP; **Philip Brown Allen, Jr.**, 6485 Eagle Ridge Rd., Bettendorf, IA (US) 52722

**FOREIGN PATENT DOCUMENTS**

GB 2 312 518 B 10/1997

\* cited by examiner

*Primary Examiner*—Antoine Duval Davis  
(74) *Attorney, Agent, or Firm*—McKee, Voorhees & Sease, P.L.C.

(\*\*) Term: **14 Years**

(21) Appl. No.: **29/171,238**

(22) Filed: **Nov. 19, 2002**

(51) **LOC (7) Cl.** ..... **10-04**

(52) **U.S. Cl.** ..... **D10/78**

(58) **Field of Search** ..... D10/75, 78; 315/106-107, 315/119, 308; 324/765, 103 P, 763, 771, 126, 72, 86, 115, 149; 340/506, 511, 537, 660, 662, 825.5, 870.16; 361/59, 75, 86, 90, 76, 85

(57) **CLAIM**

We claim the ornamental design for a line voltage monitoring device, substantially as shown.

**DESCRIPTION**

FIG. 1 is a perspective view of the line voltage monitoring device of the present invention.

FIG. 2 is a front elevational view of the line voltage monitoring device.

FIG. 3 is a back elevational view of the line voltage monitoring device.

FIG. 4 is a right side elevational view of the line voltage monitoring device.

FIG. 5 is a top elevational view of the line voltage monitoring device; and,

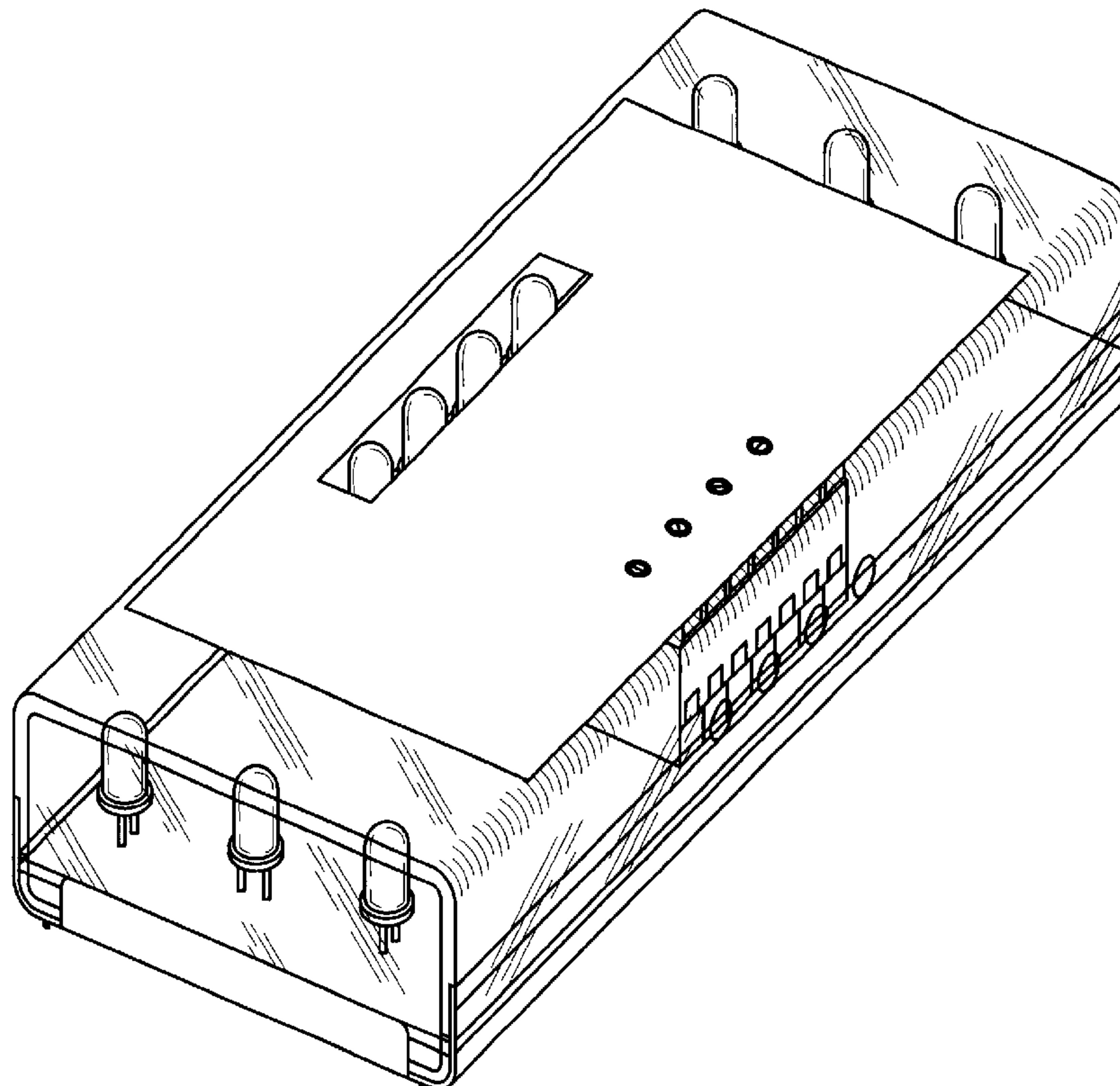
FIG. 6 is a bottom elevational view of the line voltage monitoring device.

(56) **References Cited**

**U.S. PATENT DOCUMENTS**

4,210,948 A \* 7/1980 Waltz ..... 361/76  
4,611,207 A \* 9/1986 Anderson et al. .... 340/870.16  
4,803,331 A \* 2/1989 Cohen ..... 219/110  
4,999,730 A \* 3/1991 Pickard ..... 361/59  
5,498,972 A \* 3/1996 Haulin ..... 324/765  
5,670,937 A \* 9/1997 Right et al. .... 340/506

**1 Claim, 2 Drawing Sheets**



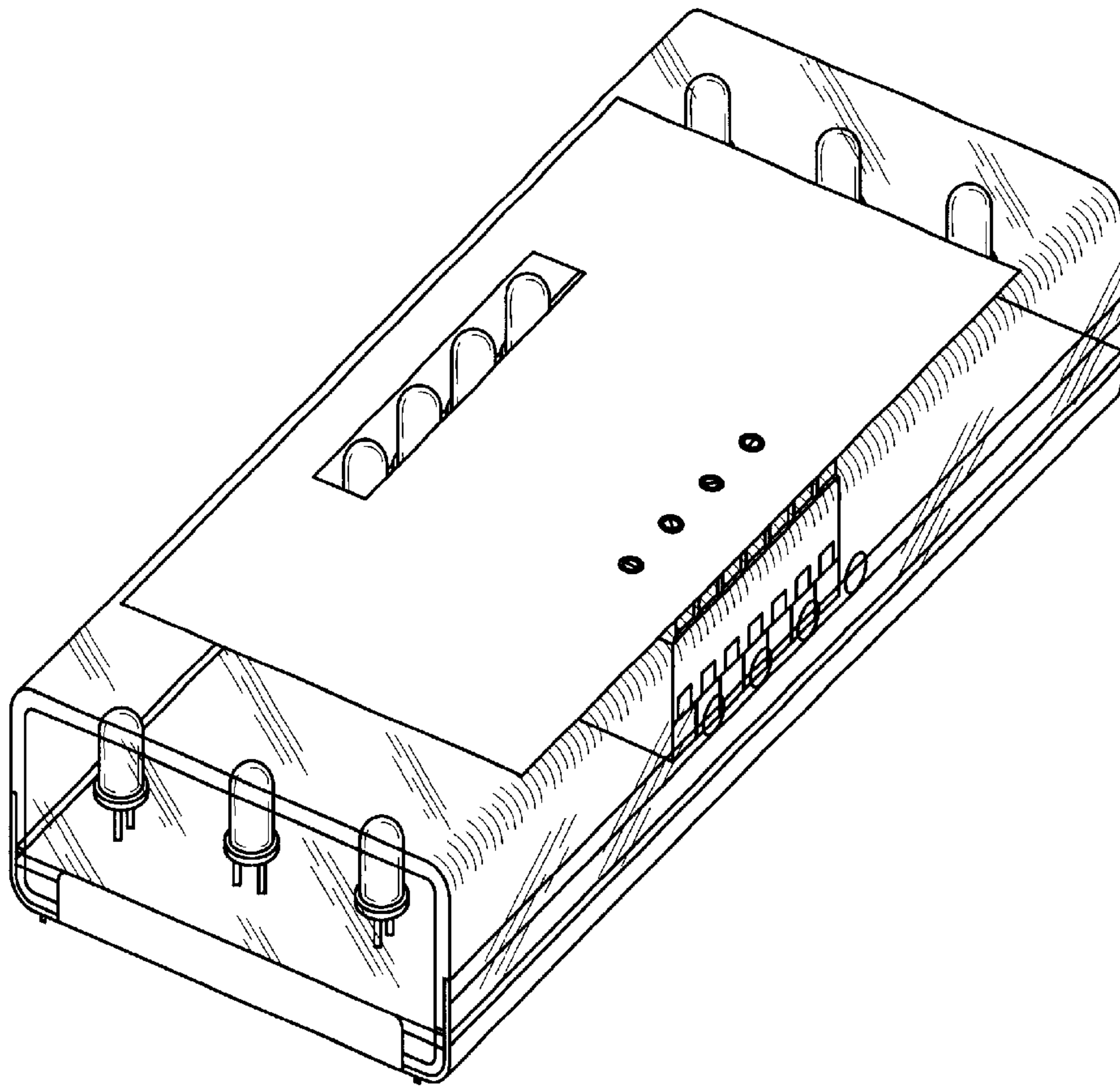


FIG. 1

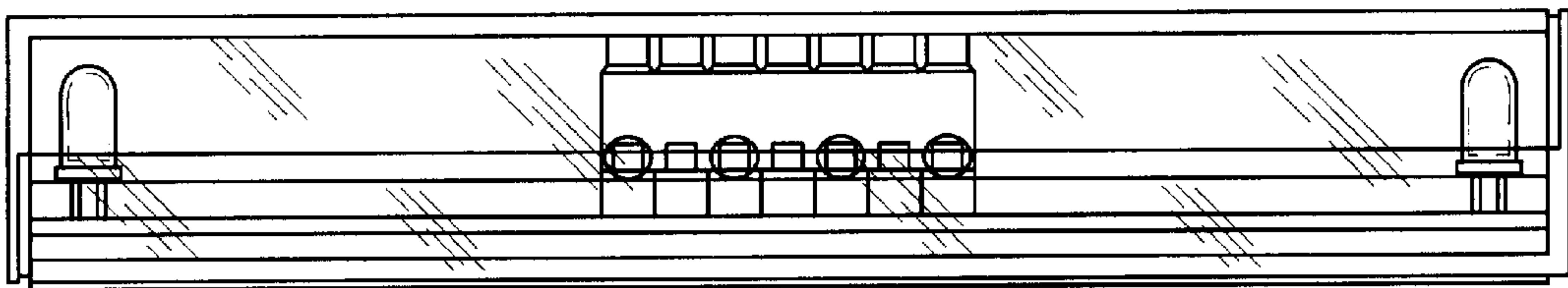


FIG. 2

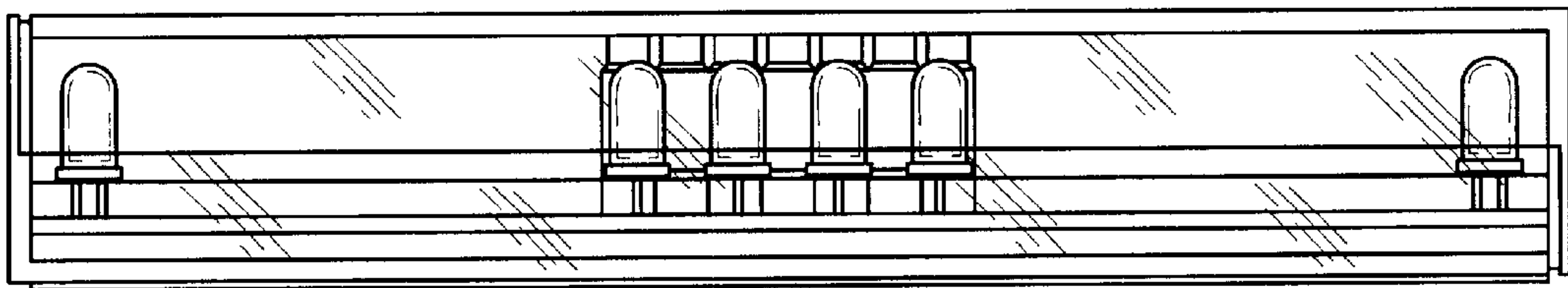


FIG. 3

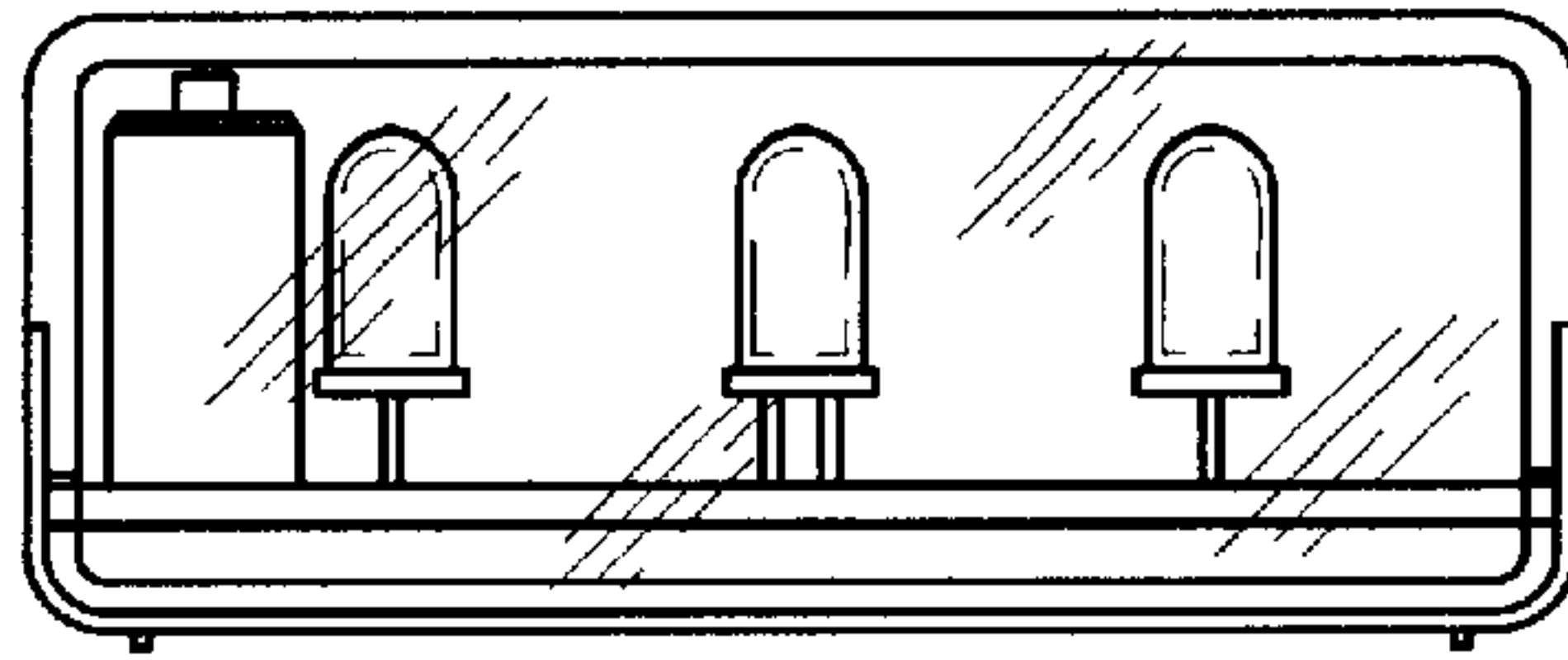


FIG. 4

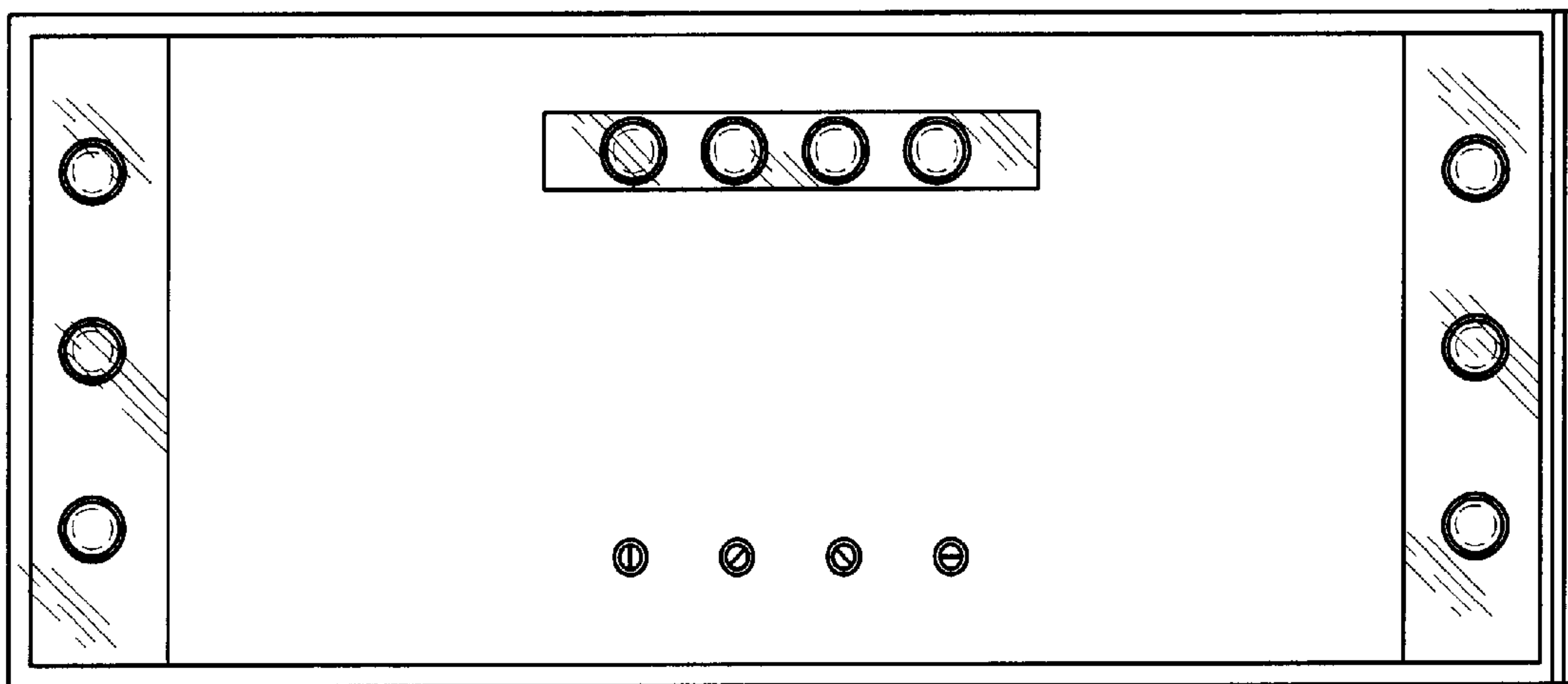


FIG. 5

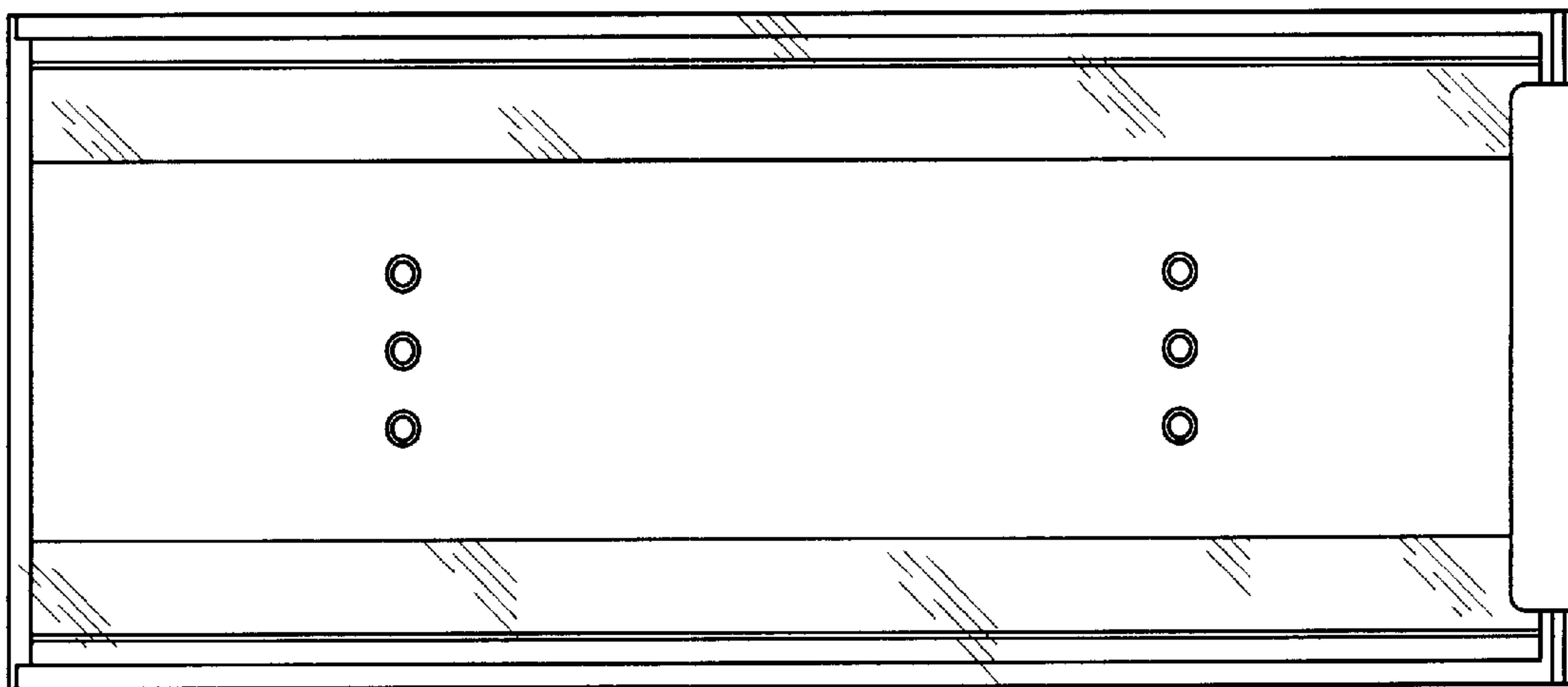


FIG. 6