



US00D482627S

(12) **United States Design Patent**  
**Houlihan**

(10) **Patent No.:** **US D482,627 S**

(45) **Date of Patent:** **\*\* Nov. 25, 2003**

(54) **WATCH CASING AND PORTION OF A STRAP**

(75) **Inventor:** **John T. Houlihan**, Groton Long Point, CT (US)

(73) **Assignee:** **Timex Group B.V. (NL)**

(\*\*) **Term:** **14 Years**

(21) **Appl. No.:** **29/174,582**

(22) **Filed:** **Jan. 21, 2003**

(51) **LOC (7) Cl.** ..... **10-02**

(52) **U.S. Cl.** ..... **D10/30**

(58) **Field of Search** ..... D10/30-39, 122-132;  
368/82-84, 239-242, 280-282, 276-277,  
10-11

(56) **References Cited**

**U.S. PATENT DOCUMENTS**

D287,341 S	12/1986	Grimes	
D351,350 S	* 10/1994	Morishima	D10/38
D355,376 S	* 2/1995	Nakai	D10/38
D387,677 S	* 12/1997	Hanagata	D10/30
D402,900 S	* 12/1998	Hanagata et al.	D10/30
D407,329 S	* 3/1999	Kawashima et al.	D10/30
D411,115 S	* 6/1999	Houlihan et al.	D10/30
D411,957 S	7/1999	Ramos	
D416,812 S	11/1999	Houlihan et al.	
D417,401 S	12/1999	Houlihan et al.	
D428,346 S	* 7/2000	Goto et al.	D10/30
D433,342 S	* 11/2000	Fox	D10/30

RE37,096 E	3/2001	Houlihan	
D442,499 S	* 5/2001	Syoubayashi	D10/30
D443,832 S	6/2001	Streltsov	
D452,169 S	* 12/2001	Syoubayashi	D10/30
D464,890 S	* 10/2002	Streltsov	D10/30
D466,030 S	11/2002	Houlihan	
D472,477 S	* 4/2003	Sun	D10/30
D472,820 S	* 4/2003	Ditullo et al.	D10/30

\* cited by examiner

*Primary Examiner*—Nelson C. Holtje

(74) *Attorney, Agent, or Firm*—Carmody & Torrance LLP

(57) **CLAIM**

The ornamental design for a watch casing and portion of a strap, as shown and described.

**DESCRIPTION**

FIG. 1 is a top plan view of a watch casing and portion of a strap showing my new design;

FIG. 2 is a left side elevational view thereof;

FIG. 3 is a right side elevational view thereof;

FIG. 4 is a first end elevational view thereof;

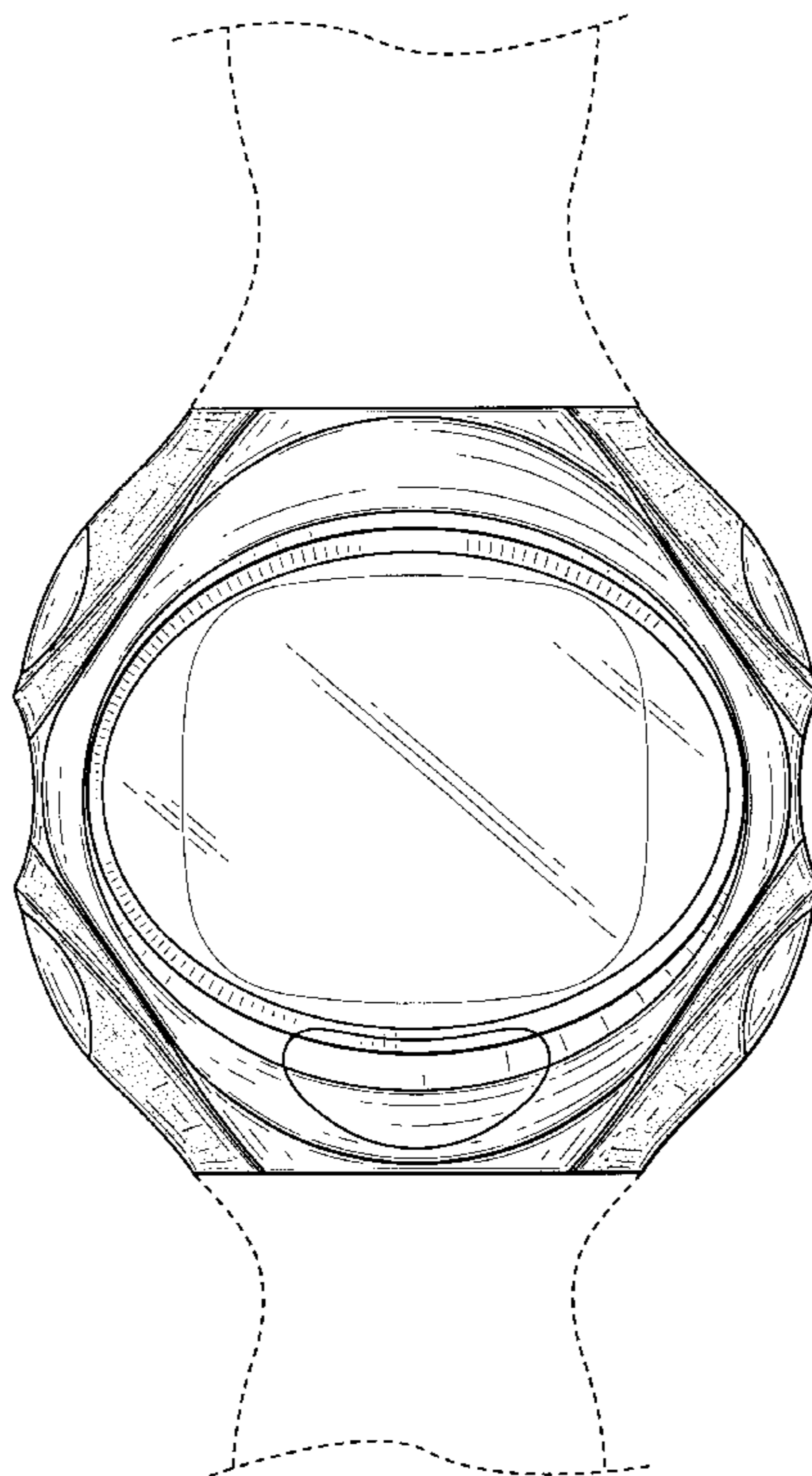
FIG. 5 is a second end elevational view thereof; and,

FIG. 6 is a bottom plan view.

The broken-line showings are environmental only and form no part of the claimed design.

The speckled dots are intended to illustrate a contrast in color and/or material used to construct and illustrate the claimed invention. The fact that the drawings illustrate dots, in and of itself, is not material to the invention.

**1 Claim, 5 Drawing Sheets**



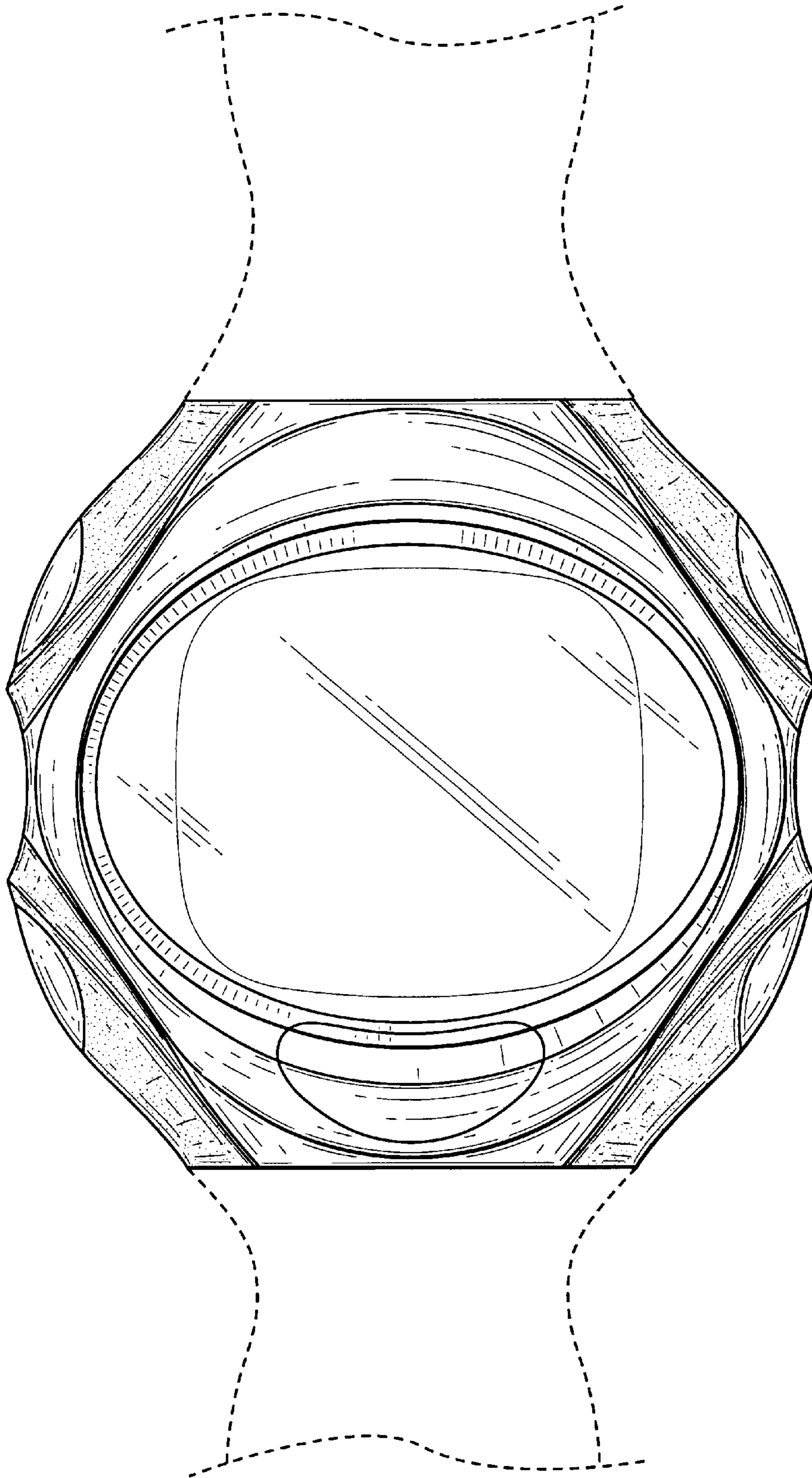


FIG. 1

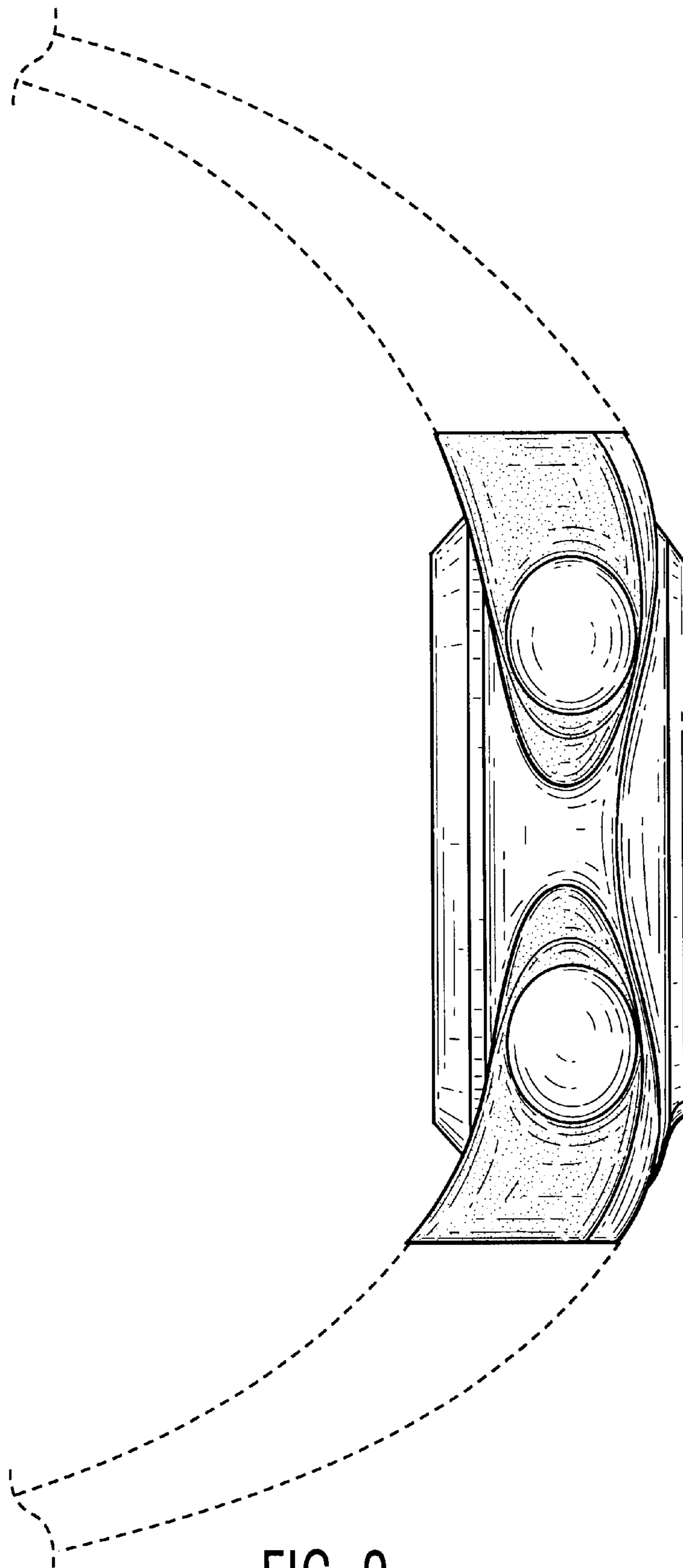


FIG. 2

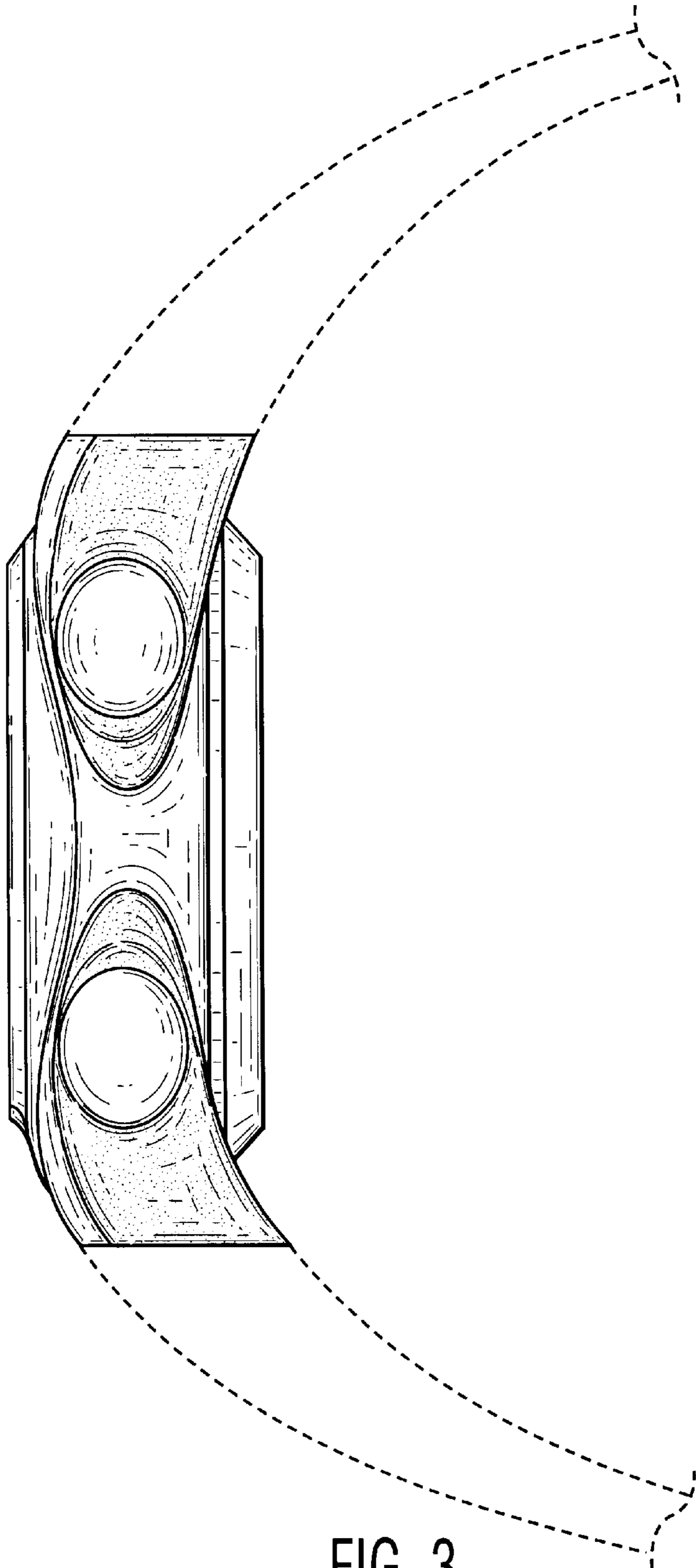


FIG. 3



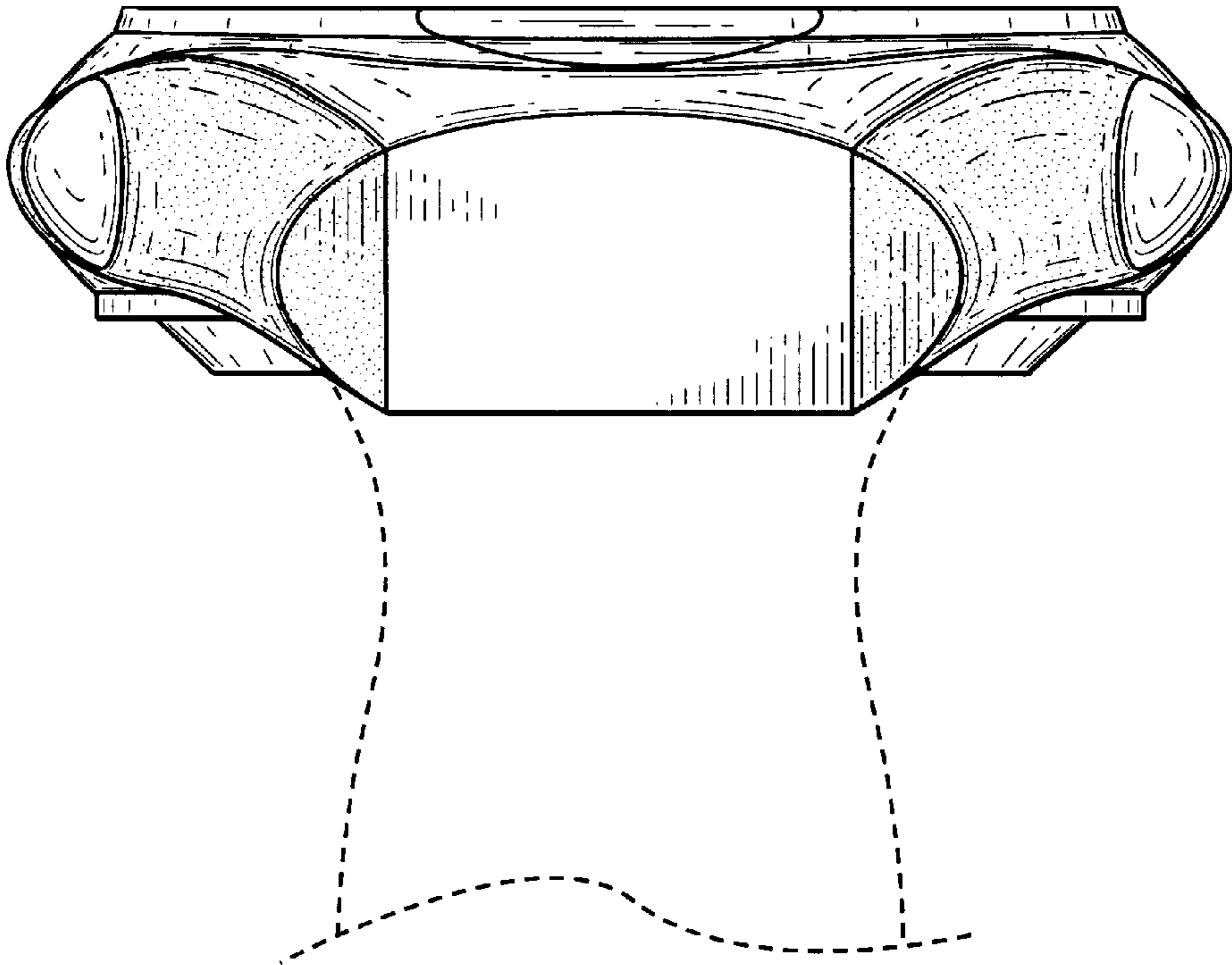


FIG. 4

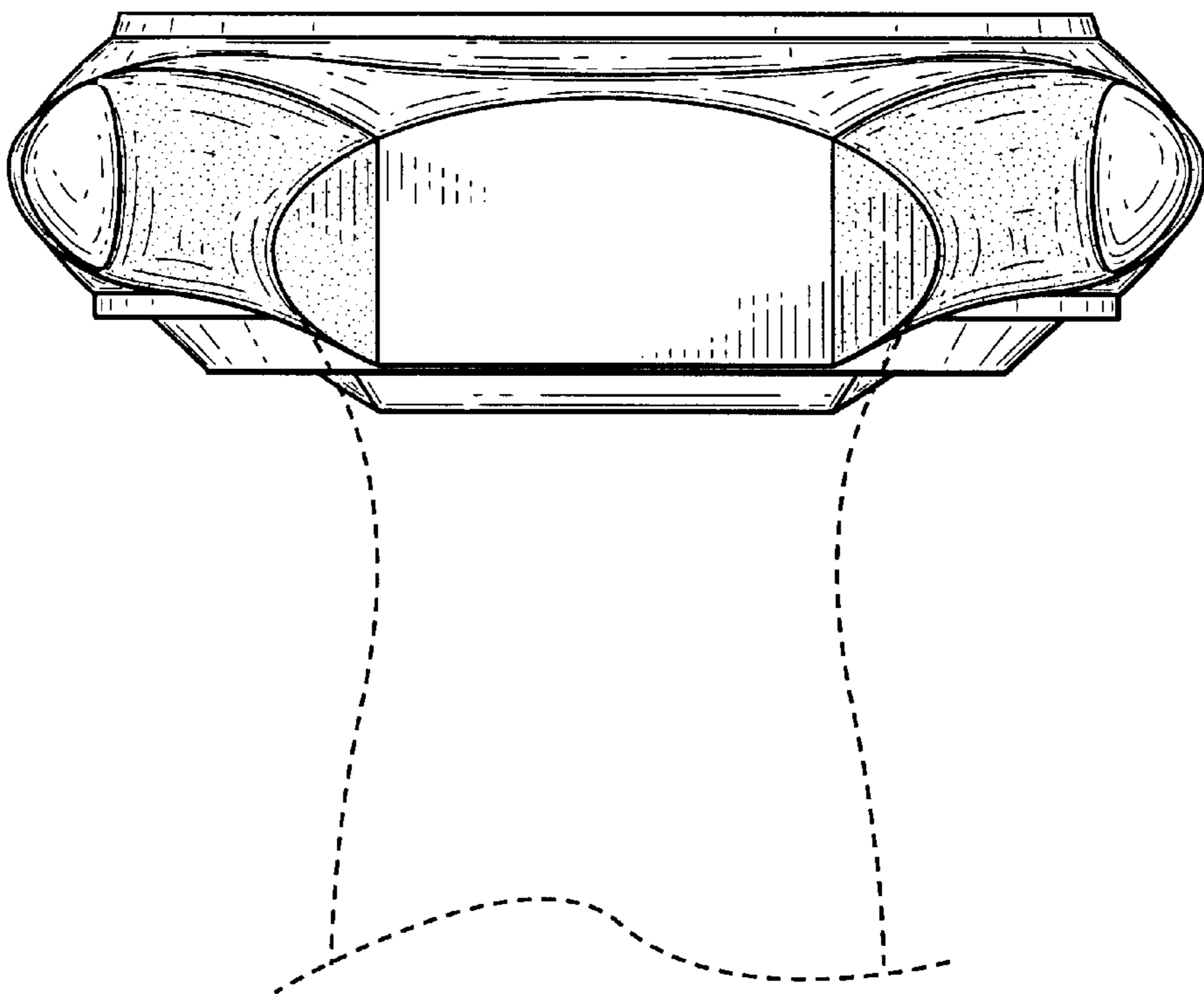


FIG. 5

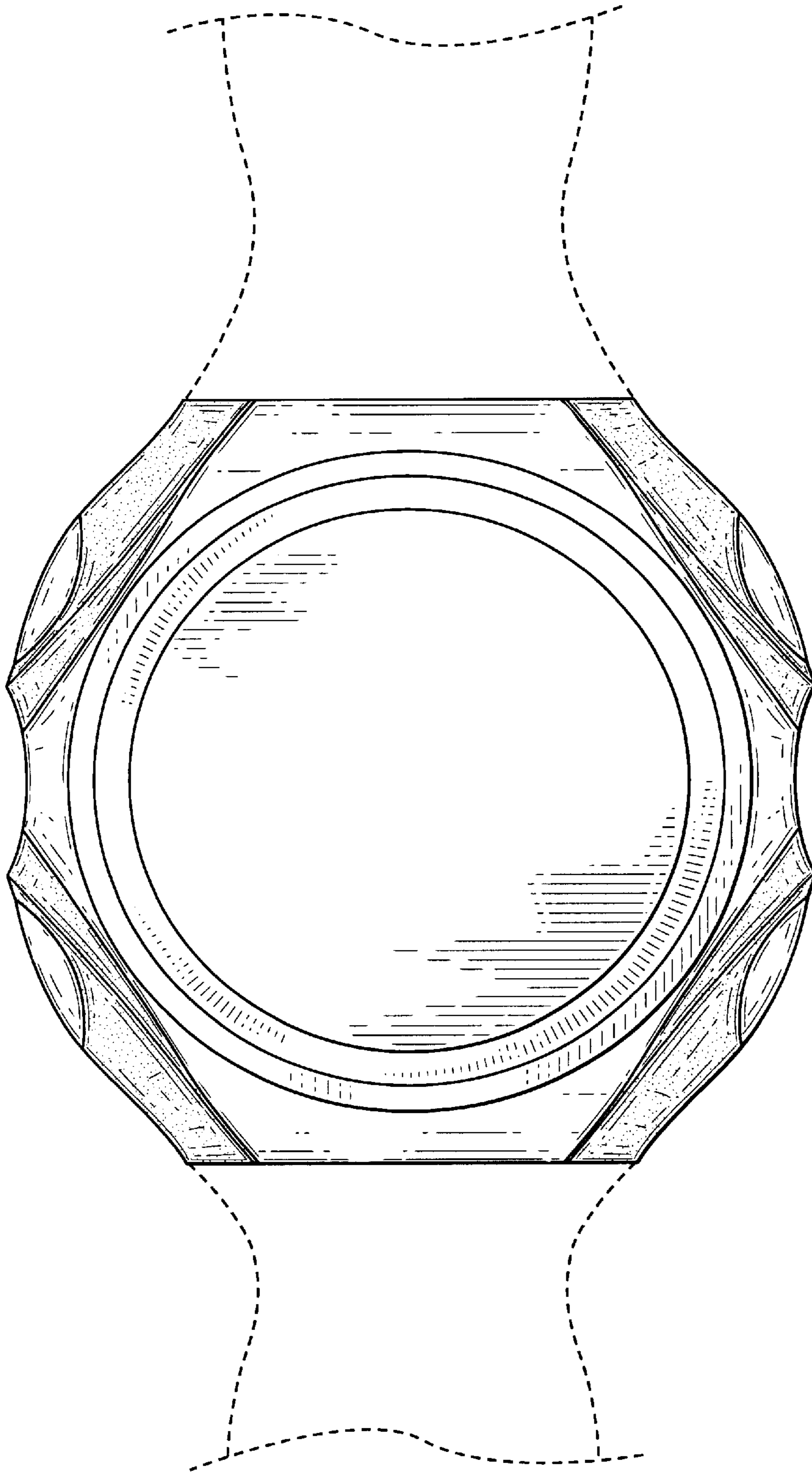


FIG. 6