



US00D482617S

(12) **United States Design Patent**
Weber

(10) **Patent No.:** **US D482,617 S**

(45) **Date of Patent:** **** Nov. 25, 2003**

(54) **COMBINED CONTAINER AND CAP**

(76) Inventor: **Heinz Weber**, 64 Gables Court,
Beaconsfield, Quebec (CA), H9W 5H4

(**) Term: **14 Years**

(21) Appl. No.: **29/170,698**

(22) Filed: **Nov. 12, 2002**

Related U.S. Application Data

(62) Division of application No. 29/157,889, filed on Mar. 27,
2002.

(51) **LOC (7) Cl.** **09-03**

(52) **U.S. Cl.** **D9/529; D9/338; D9/574**

(58) **Field of Search** D9/337, 338, 339,
D9/529, 574, 539, 540, 542, 543, 549,
499; 206/38, 204, 37, 527; 220/200, 213,
288, 890; 221/312 R; 222/173, 465.1, 575

(56) **References Cited**

U.S. PATENT DOCUMENTS

D266,146 S * 9/1982 Morris D9/338
D305,300 S * 1/1990 Kraft D9/529

D306,137 S * 2/1990 Nitta D9/300
D370,635 S * 6/1996 Dutton D9/540
D412,664 S * 8/1999 Hirst D9/424

* cited by examiner

Primary Examiner—Ted Shooman
Assistant Examiner—Daniel Bui
(74) *Attorney, Agent, or Firm*—Eric Fincham

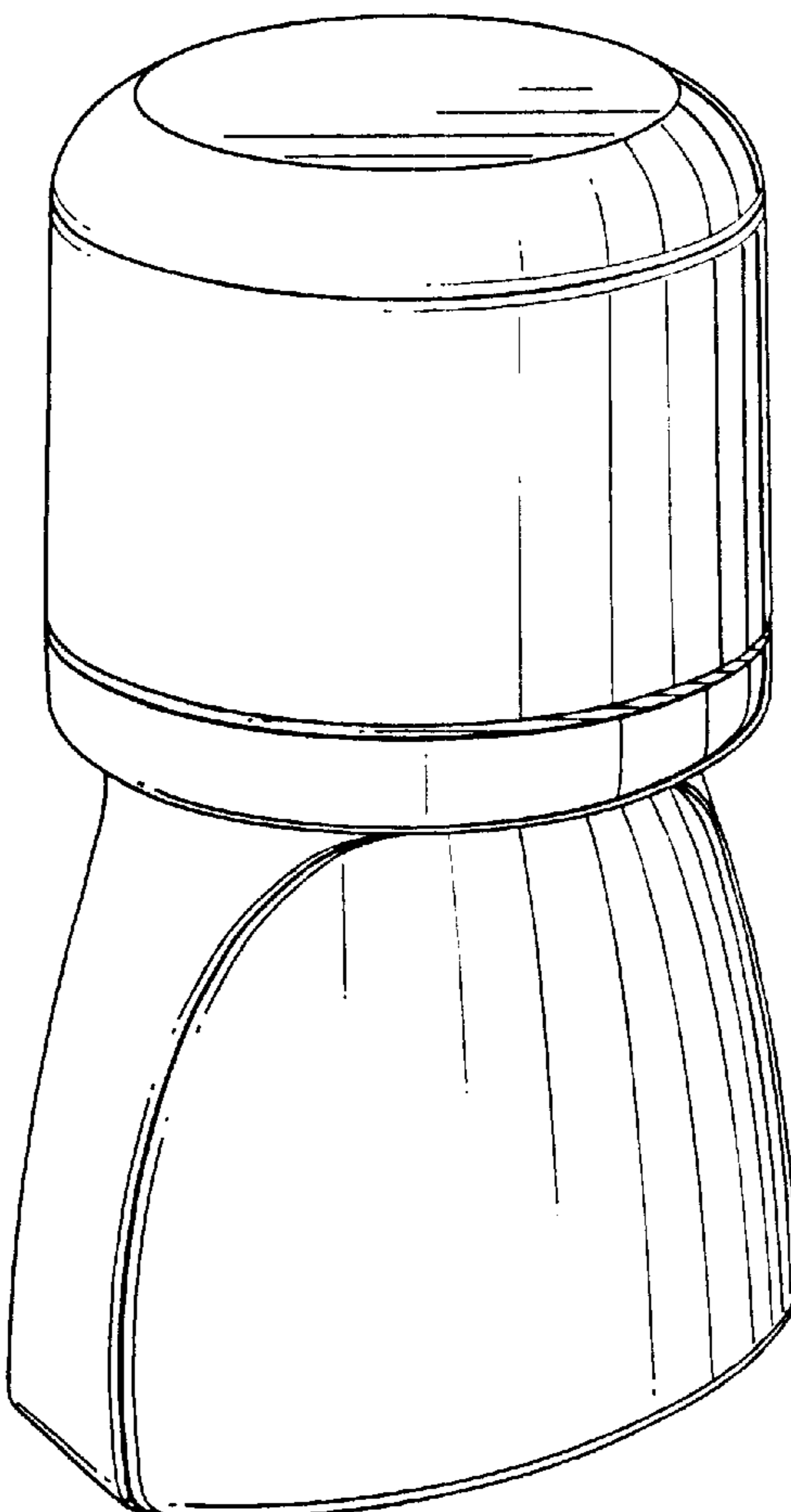
(57) **CLAIM**

An ornamental design for a combined container and cap, as shown and described.

DESCRIPTION

FIG. 1 is a perspective view of the combined container and cap of the instant design;
FIG. 2 is a front elevational view thereof;
FIG. 3 is a first end elevational view thereof;
FIG. 4 is a top plan view thereof;
FIG. 5 is a rear elevational view thereof;
FIG. 6 is a second end elevational view thereof; and,
FIG. 7 is a bottom plan view thereof.
The broken line showing of environment is for illustrative purposes only and forms no part of the claimed design.

1 Claim, 3 Drawing Sheets



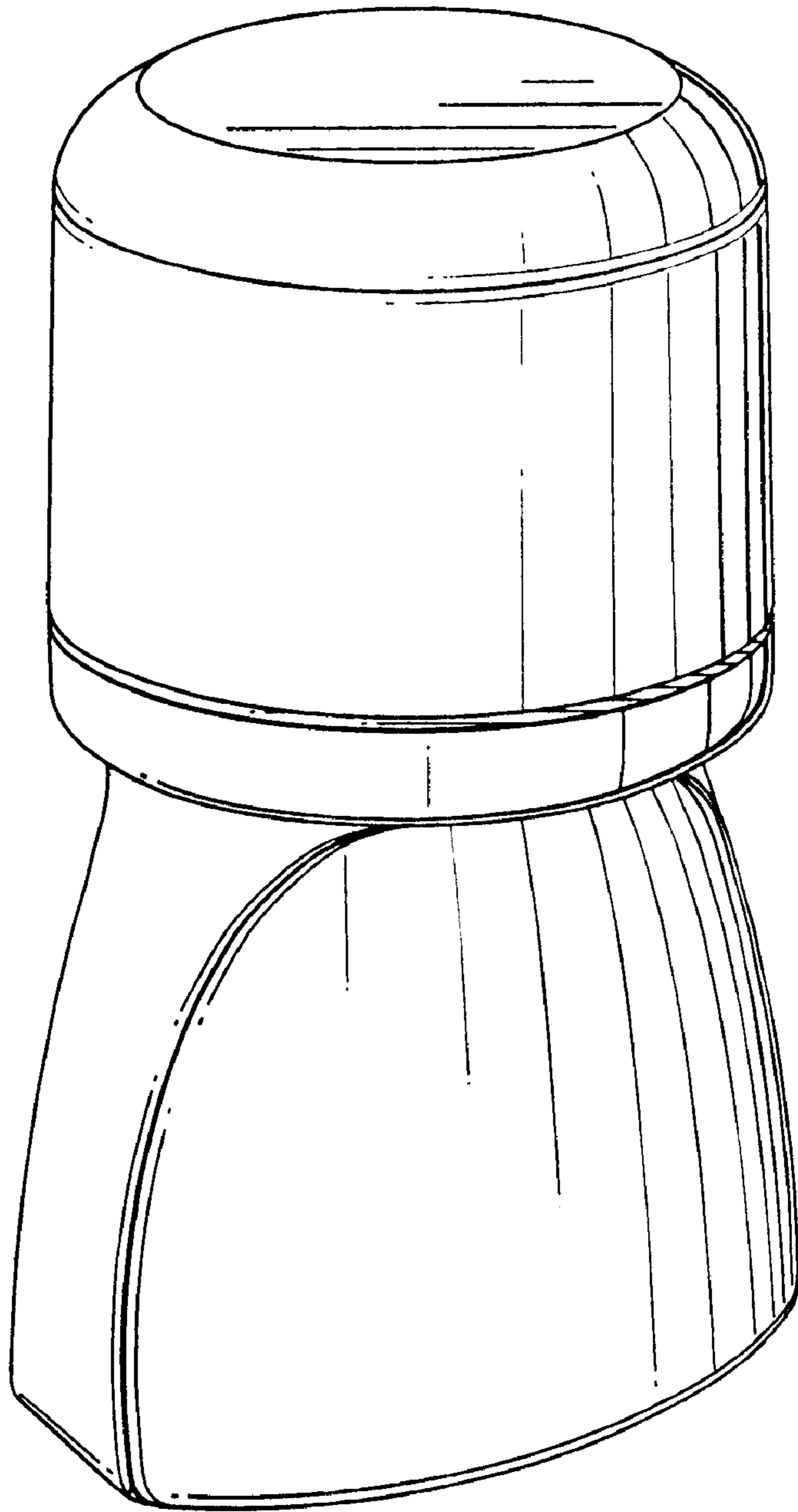


Fig-1

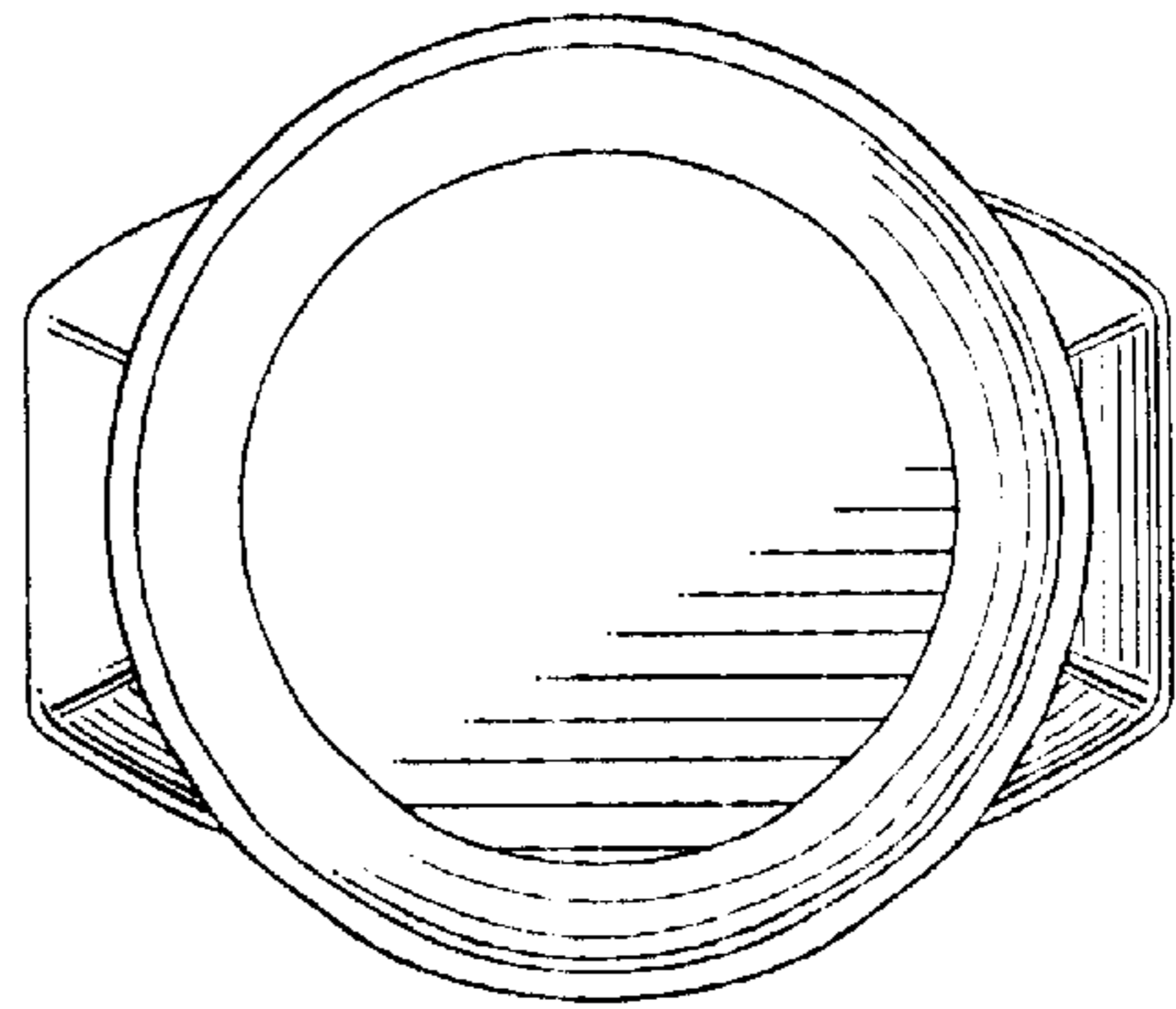


Fig-4

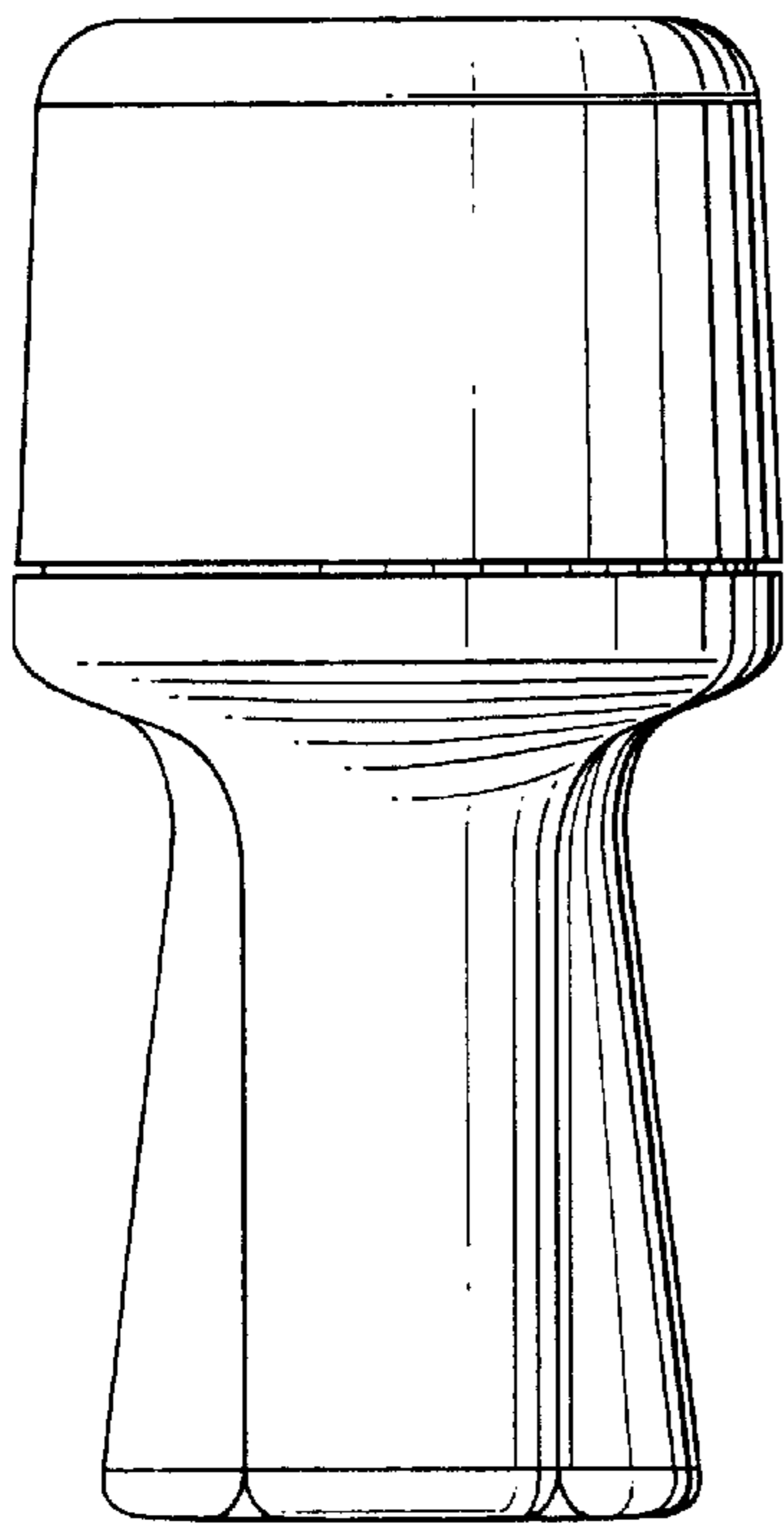


Fig-3

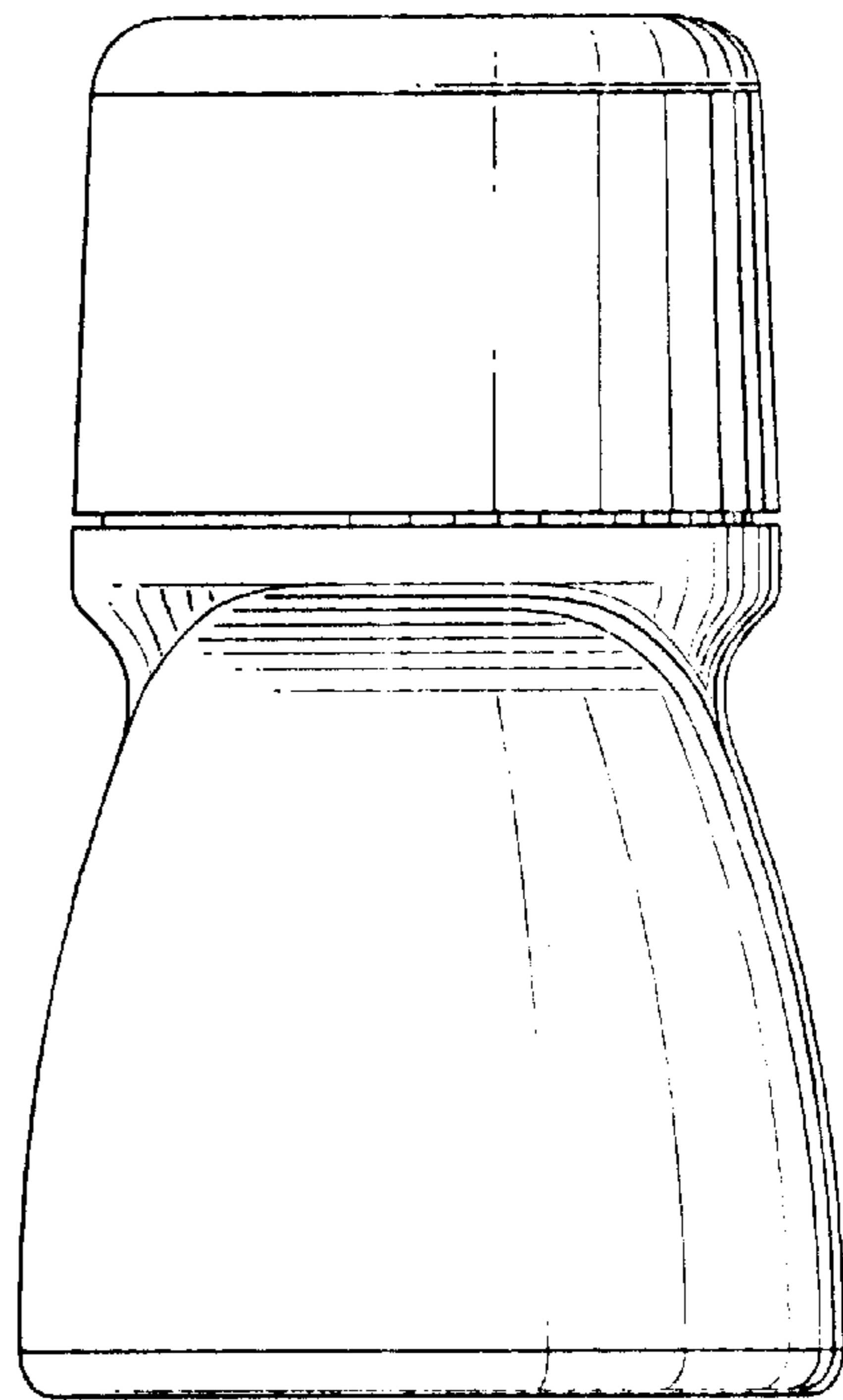


Fig-2

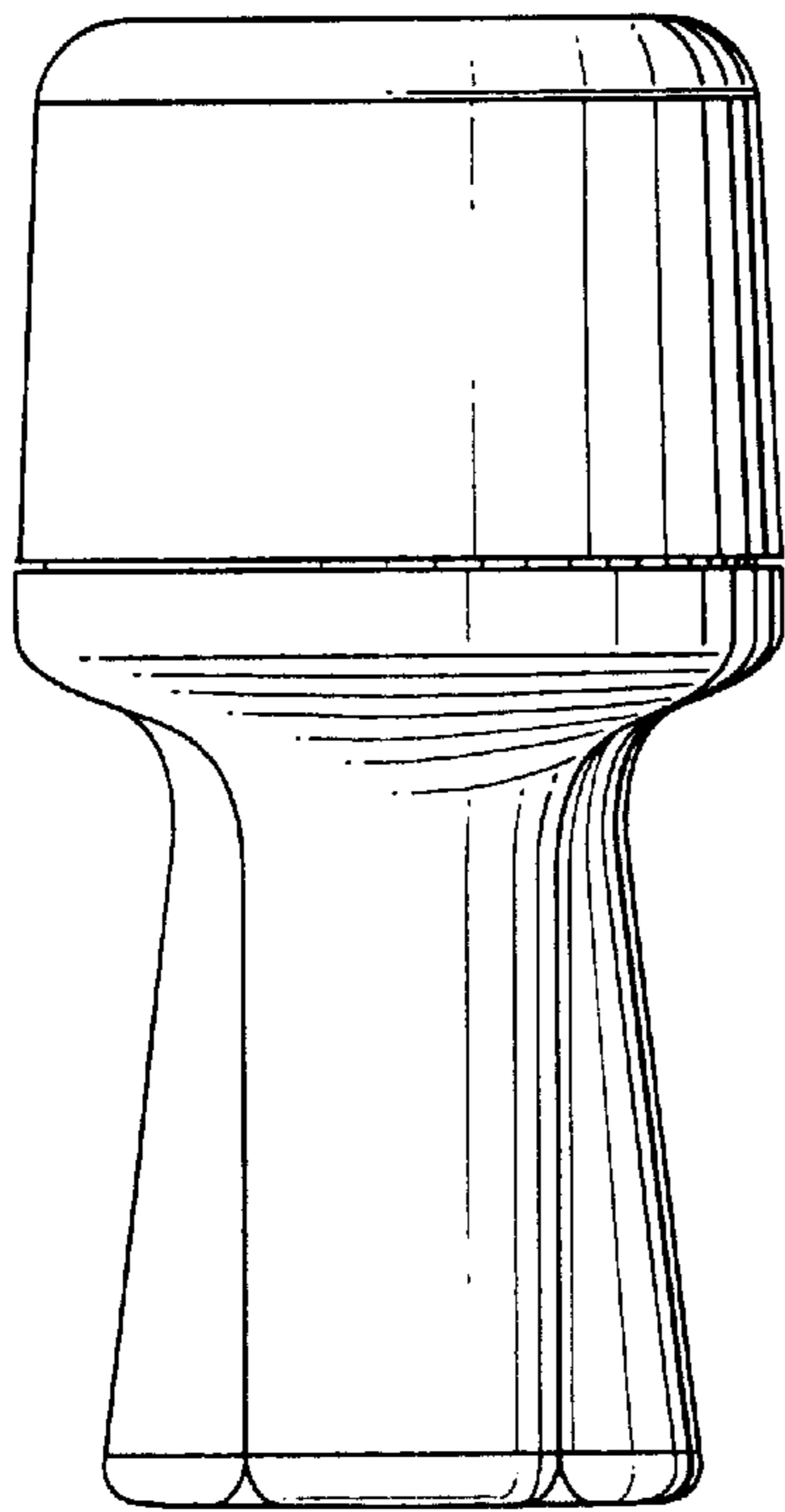


Fig-6

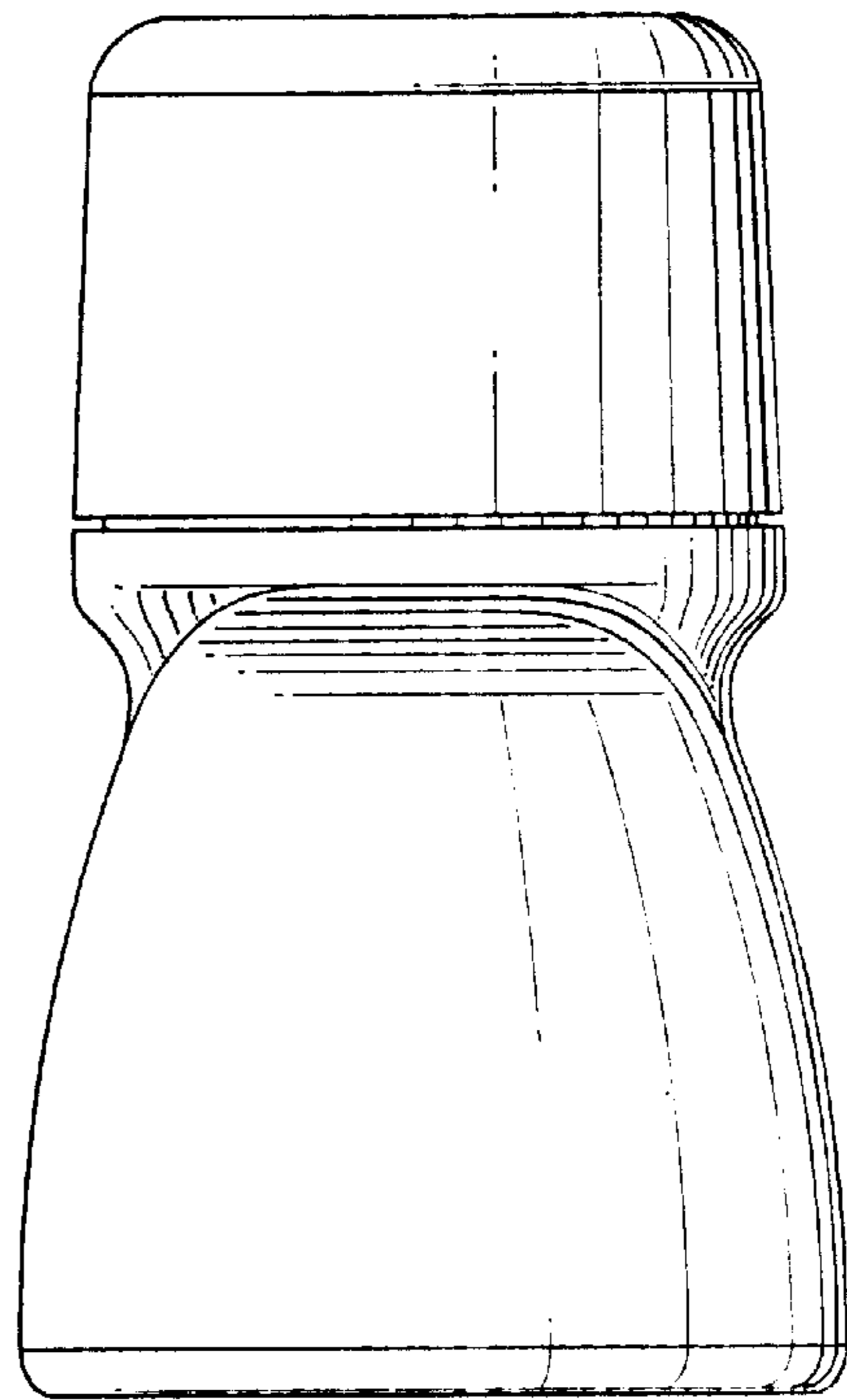


Fig-5

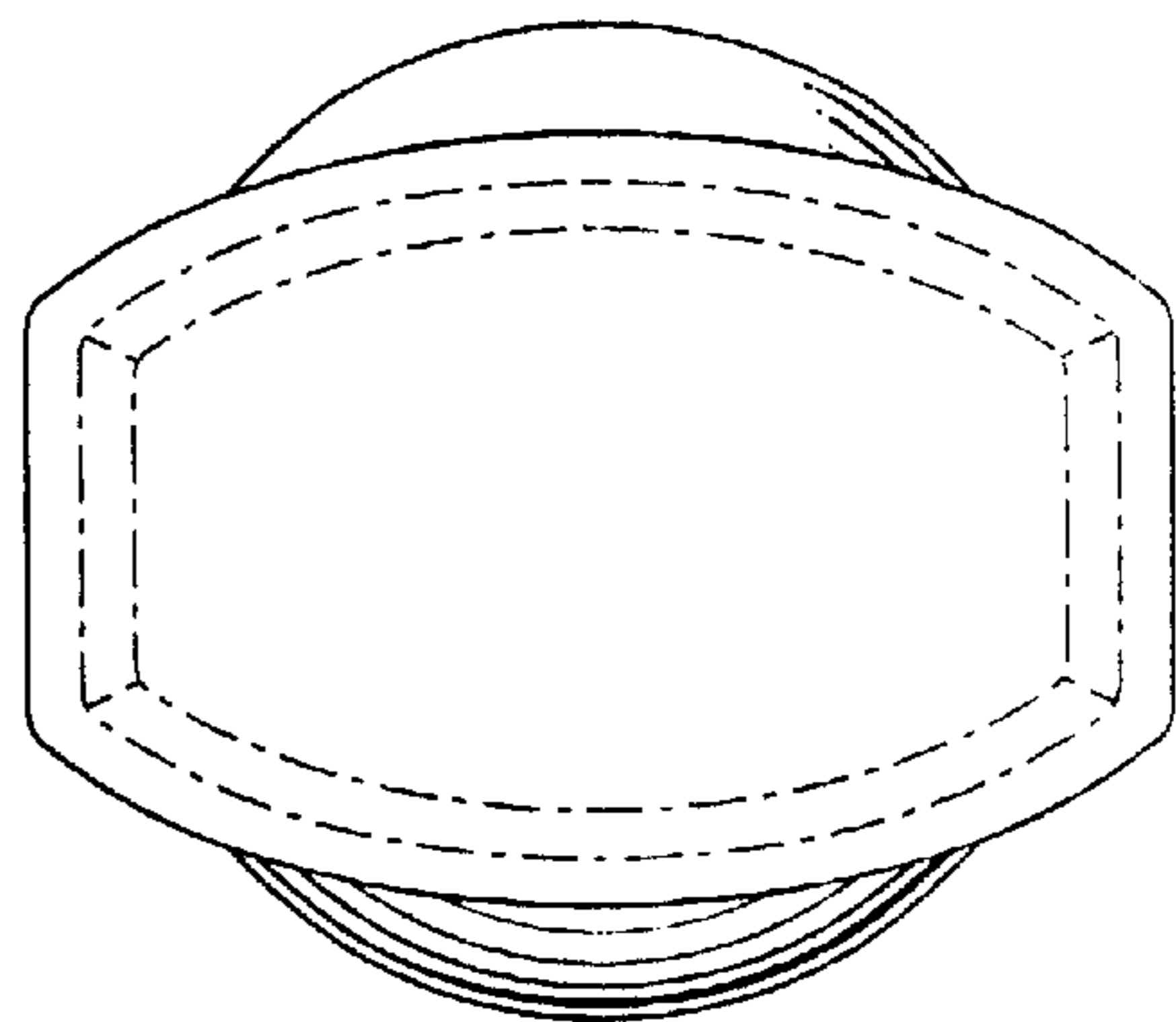


Fig-7