



US00D482611S

(12) **United States Design Patent**  
**Kilduff**

(10) **Patent No.:** **US D482,611 S**

(45) **Date of Patent:** **\*\* Nov. 25, 2003**

(54) **PARTIAL WINE GLASS DISPLAY WITH IDENTIFICATION TAG**

6,244,554 B1 \* 6/2001 Baker ..... 220/23.83  
6,293,034 B1 \* 9/2001 Skapyak et al. .... 40/310

(75) Inventor: **Edward Kilduff**, New York, NY (US)

\* cited by examiner

(73) Assignee: **Metrokane, Inc.**, New York, NY (US)

*Primary Examiner*—Prabhakar Deshmukh

(\*\*) Term: **14 Years**

(74) *Attorney, Agent, or Firm*—Dorsey & Whitney LLP

(21) Appl. No.: **29/173,990**

(57) **CLAIM**

(22) Filed: **Jan. 10, 2003**

I claim the ornamental design for a partial wine glass display with identification tag, as shown.

(51) **LOC (7) Cl.** ..... **09-03**

**DESCRIPTION**

(52) **U.S. Cl.** ..... **D9/418; D9/415; D9/9; D9/347**

This application is filed concurrently with a design application Ser. No. 29/173,991, titled Partial Wine Glass Display by the same inventor under, and the subject matter of which is incorporated herein by reference and is fully disclosed herein.

(58) **Field of Search** ..... D9/414, 415, 418, D9/432, 341, 347; 206/769-771, 223, 576, 303, 320, 553, 461, 462, 471, 822, 304.2, 427; 229/162, 116.1, 116.5, 89, 407, 74; 220/592.16, 592.17, 556, 662, 23.83; 428/913.3; D20/22, 28, 44; 40/299, 310

FIG. 1 is a top, front and right side perspective view of a partial wine glass display with identification tag showing my new design;

FIG. 2 is a front elevation view of the display shown in FIG. 1.

(56) **References Cited**

**U.S. PATENT DOCUMENTS**

2,956,677 A \* 10/1960 Kavadlo et al. .... 206/462  
4,549,654 A \* 10/1985 Tiesman ..... 206/462  
D292,879 S \* 11/1987 Smith ..... D9/415  
D329,808 S \* 9/1992 Giraud ..... D9/418  
D336,594 S \* 6/1993 Trush ..... D7/509  
D365,371 S \* 12/1995 Dunlap ..... D20/28  
5,819,937 A \* 10/1998 Walker ..... 206/429  
D426,267 S \* 6/2000 Bush ..... D20/28  
D437,777 S \* 2/2001 Wootton ..... D9/415

FIG. 3 is a rear elevation view of the display shown in FIG. 1.

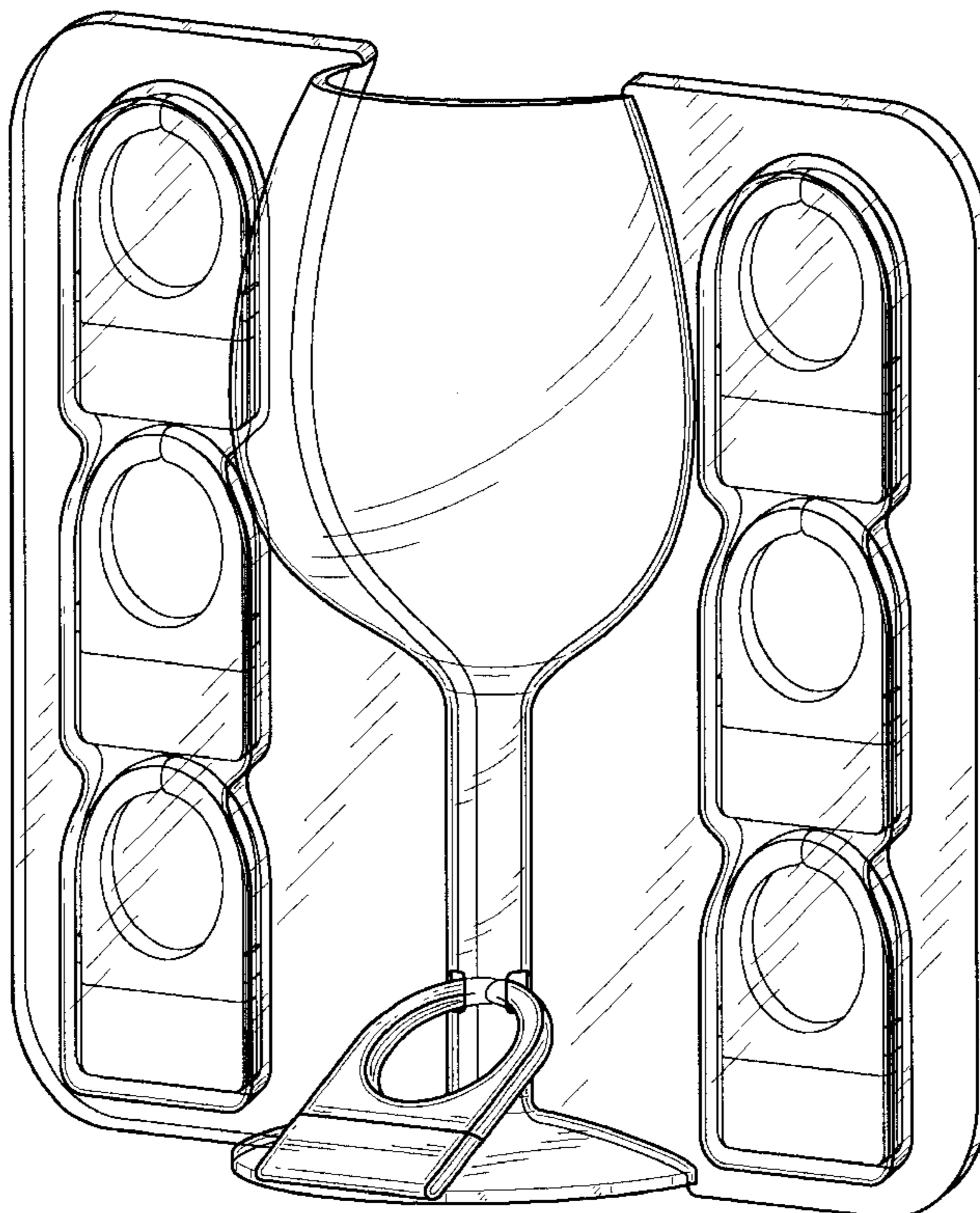
FIG. 4 is a left-side elevation view of the display shown in FIG. 1.

FIG. 5 is a top plan view of the display shown in FIG. 1.

FIG. 6 is a bottom plan view of the display shown in FIG. 1; and,

FIG. 7 is a right-side elevation view of the display shown in FIG. 1.

**1 Claim, 6 Drawing Sheets**



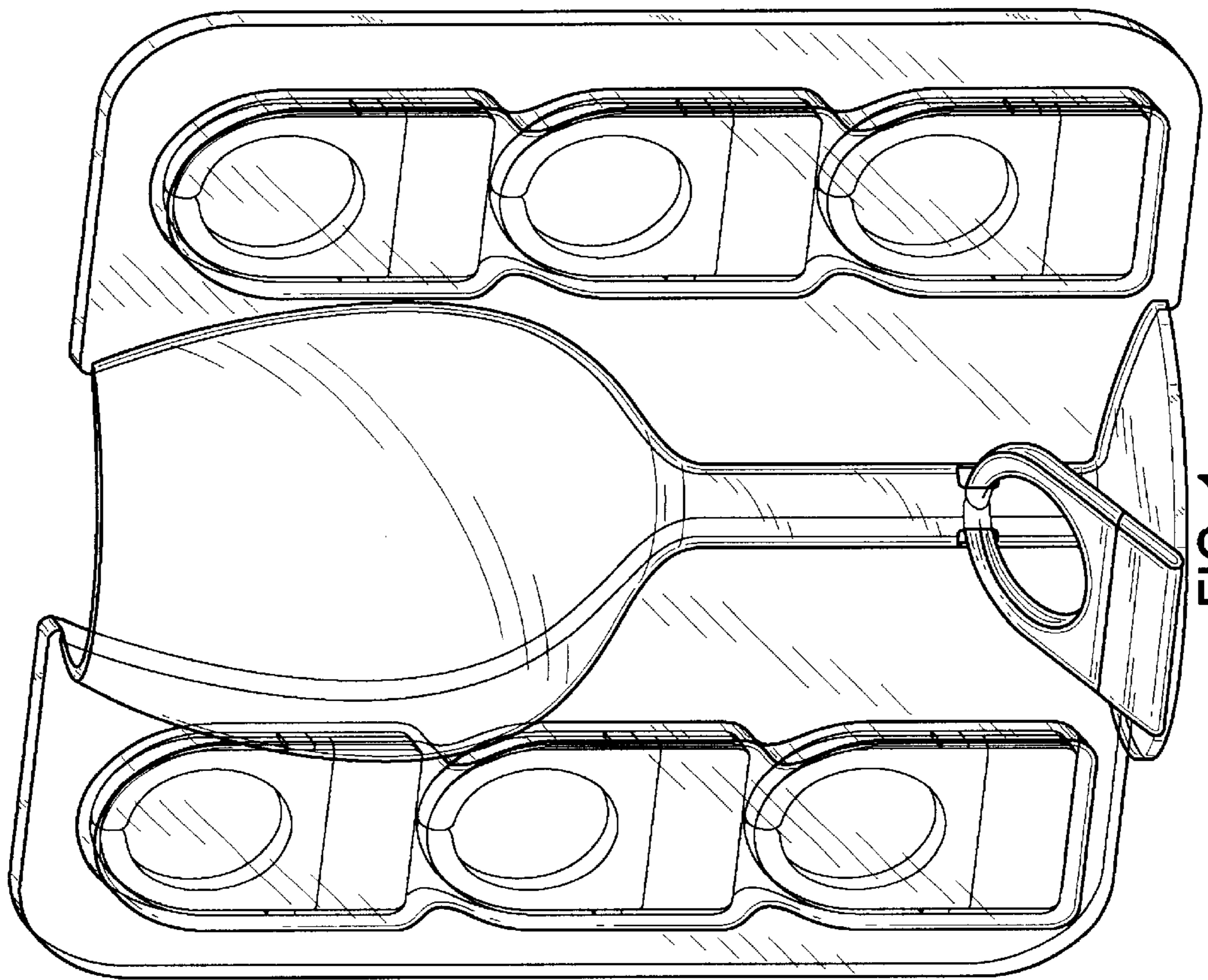


FIG. 1

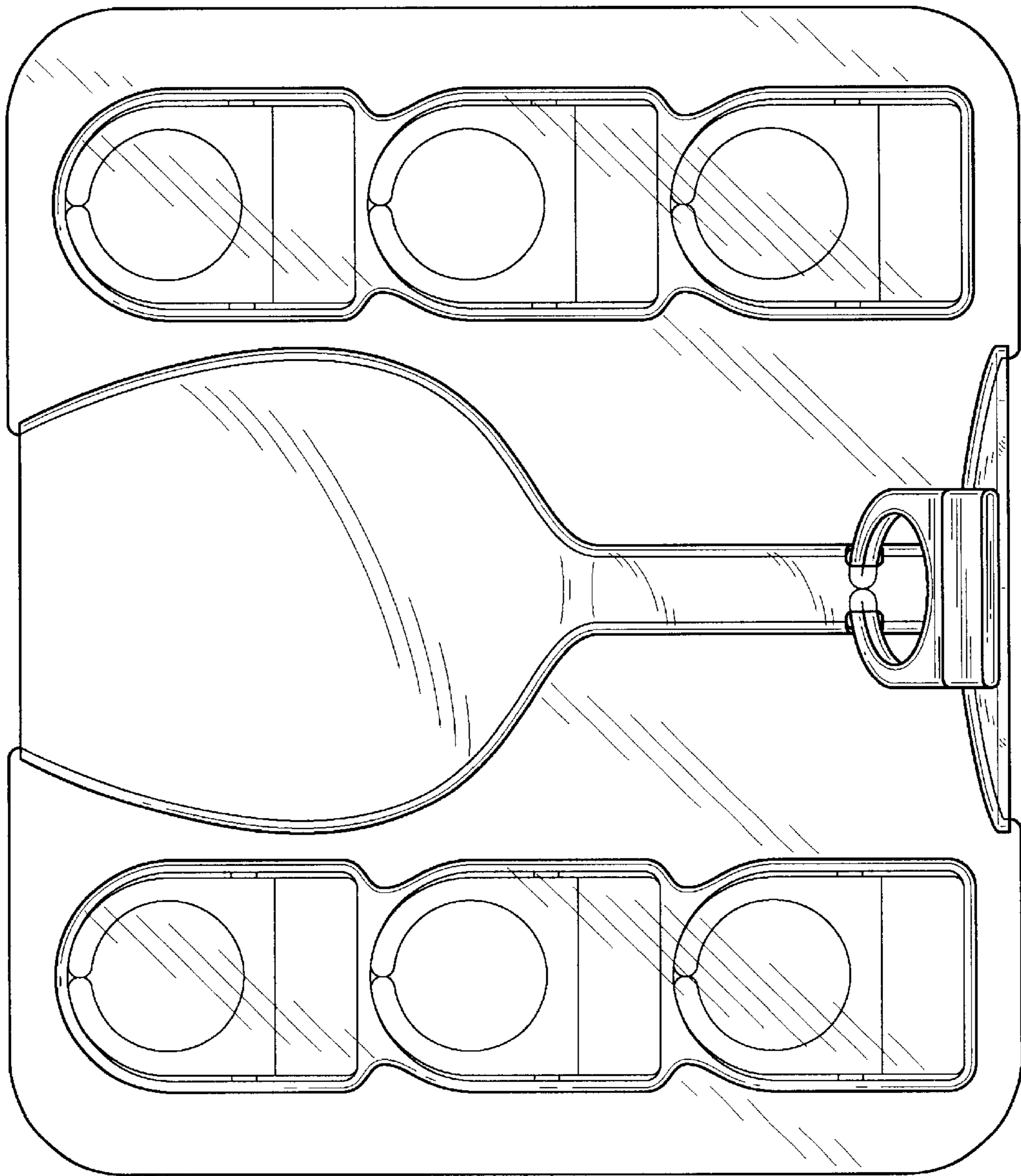


FIG. 2

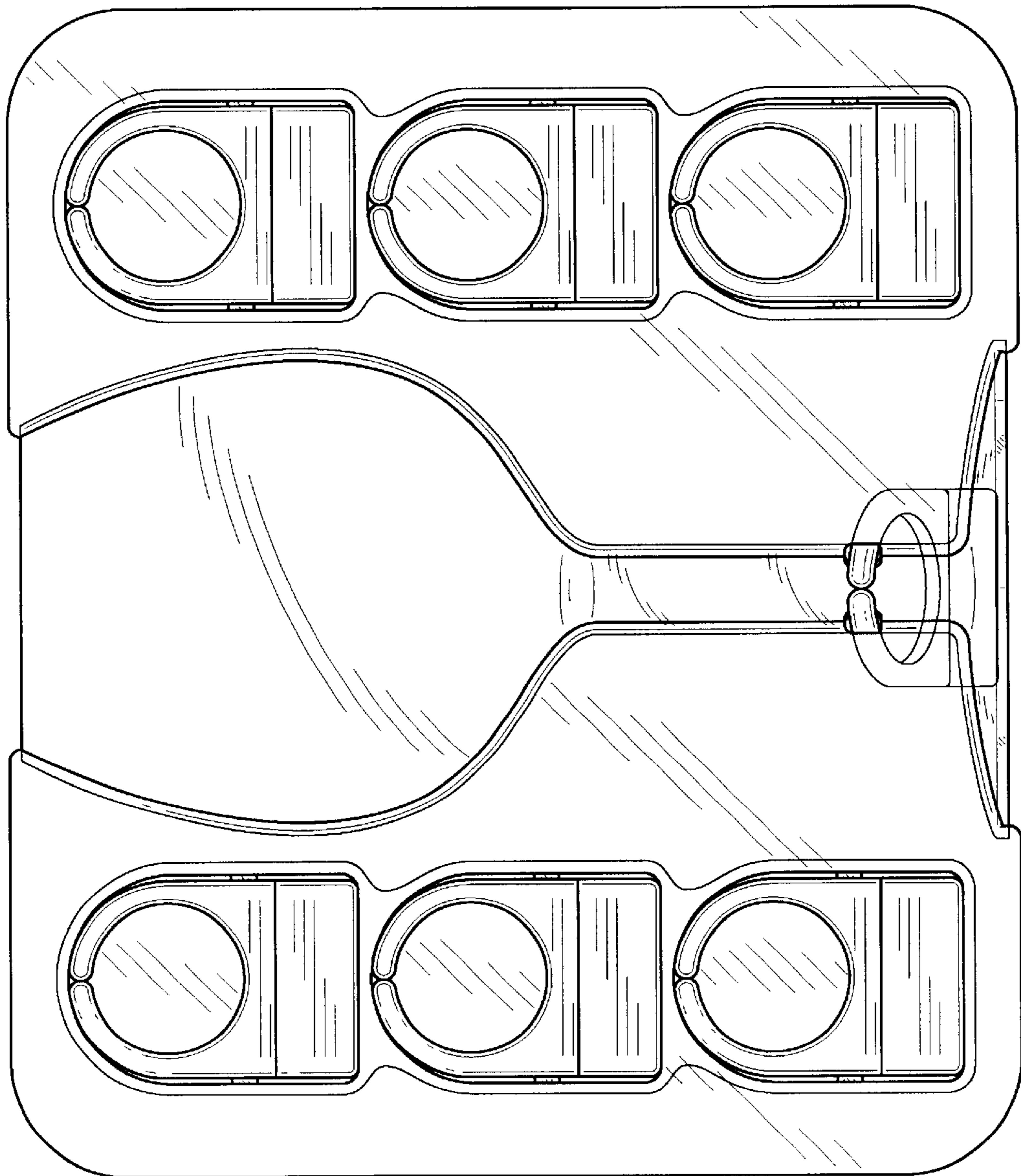


FIG. 3

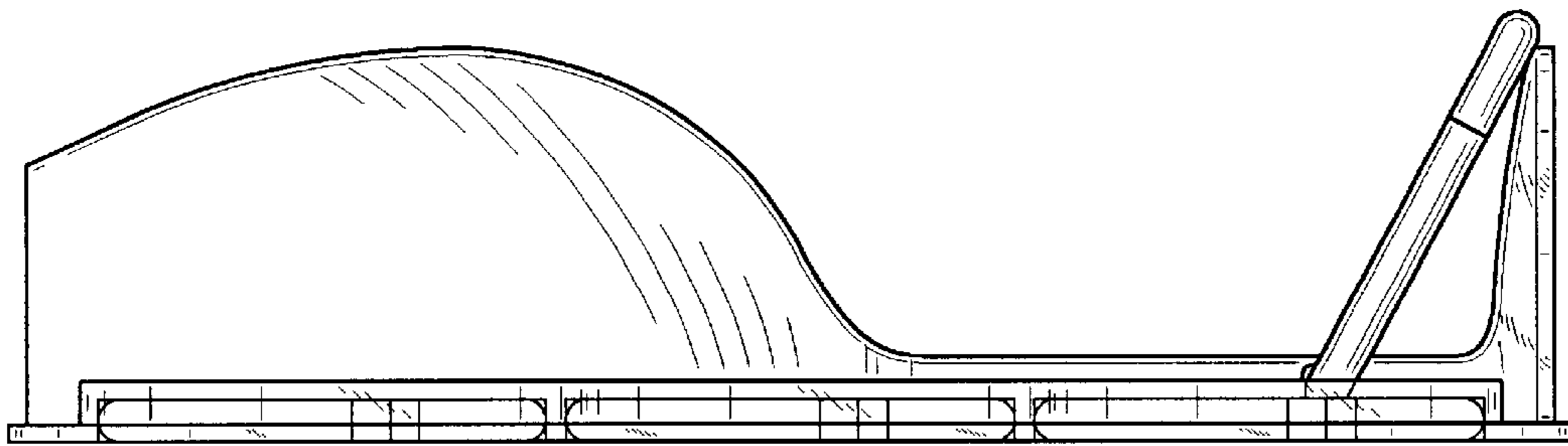


FIG. 4

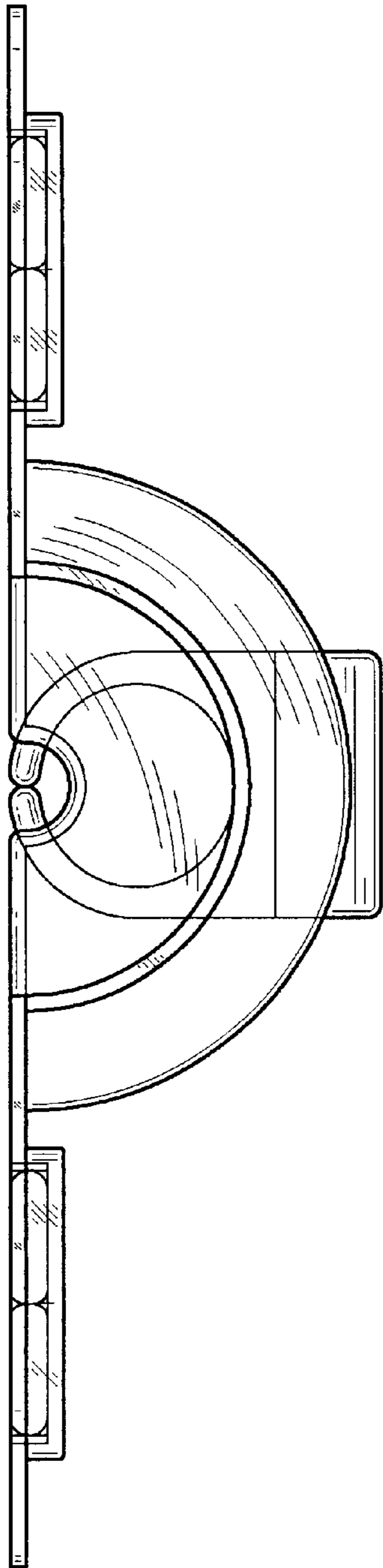


FIG. 5

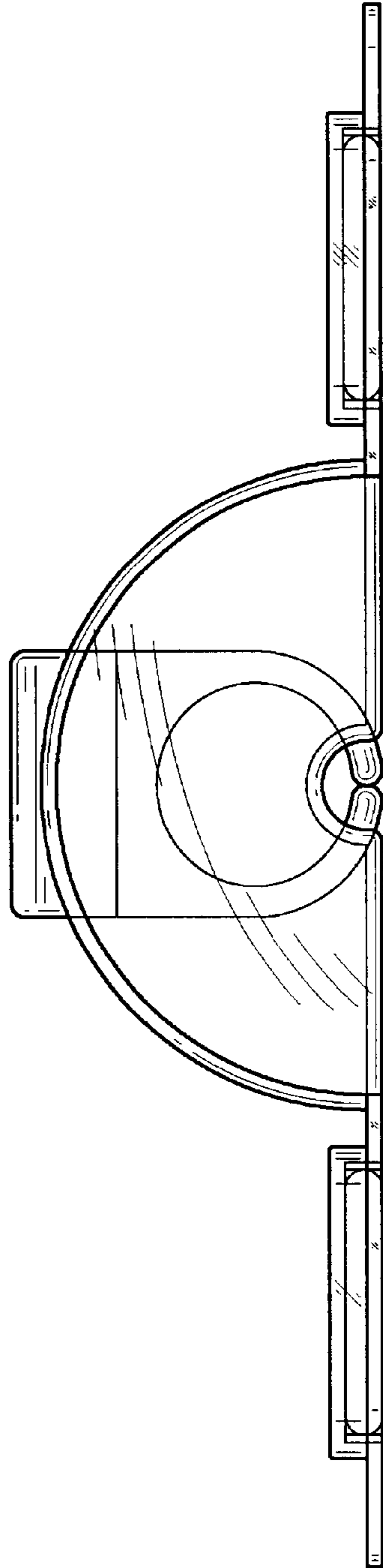


FIG. 6

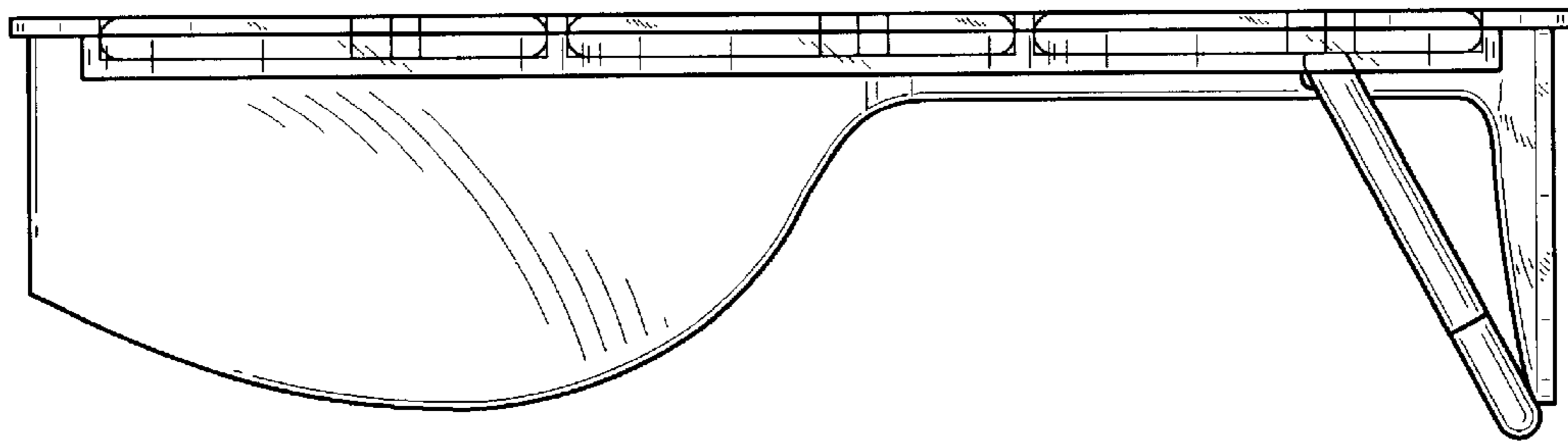


FIG. 7