



US00D482605S

(12) **United States Design Patent**  
**Souther**

(10) **Patent No.:** **US D482,605 S**

(45) **Date of Patent:** **\*\* Nov. 25, 2003**

(54) **SKIN BALM DISPENSING UNIT**

(76) **Inventor:** **Douglas F. Souther**, 1236 E. Alice,  
Phoenix, AZ (US) 85020

(\*\*) **Term:** **14 Years**

(21) **Appl. No.:** **29/172,813**

(22) **Filed:** **Dec. 19, 2002**

(51) **LOC (7) Cl.** ..... **09-05**

(52) **U.S. Cl.** ..... **D9/306**

(58) **Field of Search** ..... D9/306, 414, 505;  
206/315.4, 388, 394, 407, 418, 421, 813;  
220/DIG. 23; D28/76, 82, 88, 91.1

(56) **References Cited**

**U.S. PATENT DOCUMENTS**

423,712 A	*	3/1890	Arnold	.....	206/407
1,337,592 A	*	4/1920	Clenny et al.	.....	206/418
1,611,575 A	*	12/1926	Aulbach	.....	206/418
2,191,506 A	*	2/1940	Snyder	.....	206/421

2,962,187 A	*	11/1960	Morris	.....	206/315.11
D259,768 S	*	7/1981	Banasiak, Jr.	.....	D9/414
5,544,831 A	*	8/1996	Van Netta	.....	206/388
5,791,473 A	*	8/1998	Decker et al.	.....	206/407

\* cited by examiner

*Primary Examiner*—Paula A. Mortimer

(57) **CLAIM**

I claim the ornamental design for a skin balm dispensing unit, as shown.

**DESCRIPTION**

FIG. 1 is a one view of my skin balm dispensing unit;  
FIG. 2 is an alternative view of my skin balm dispensing unit;  
FIG. 3 is one view of an alternative embodiment of my skin balm dispensing unit; and,  
FIG. 4 is an alternative view of an alternative embodiment of my skin balm dispensing unit.

**1 Claim, 2 Drawing Sheets**

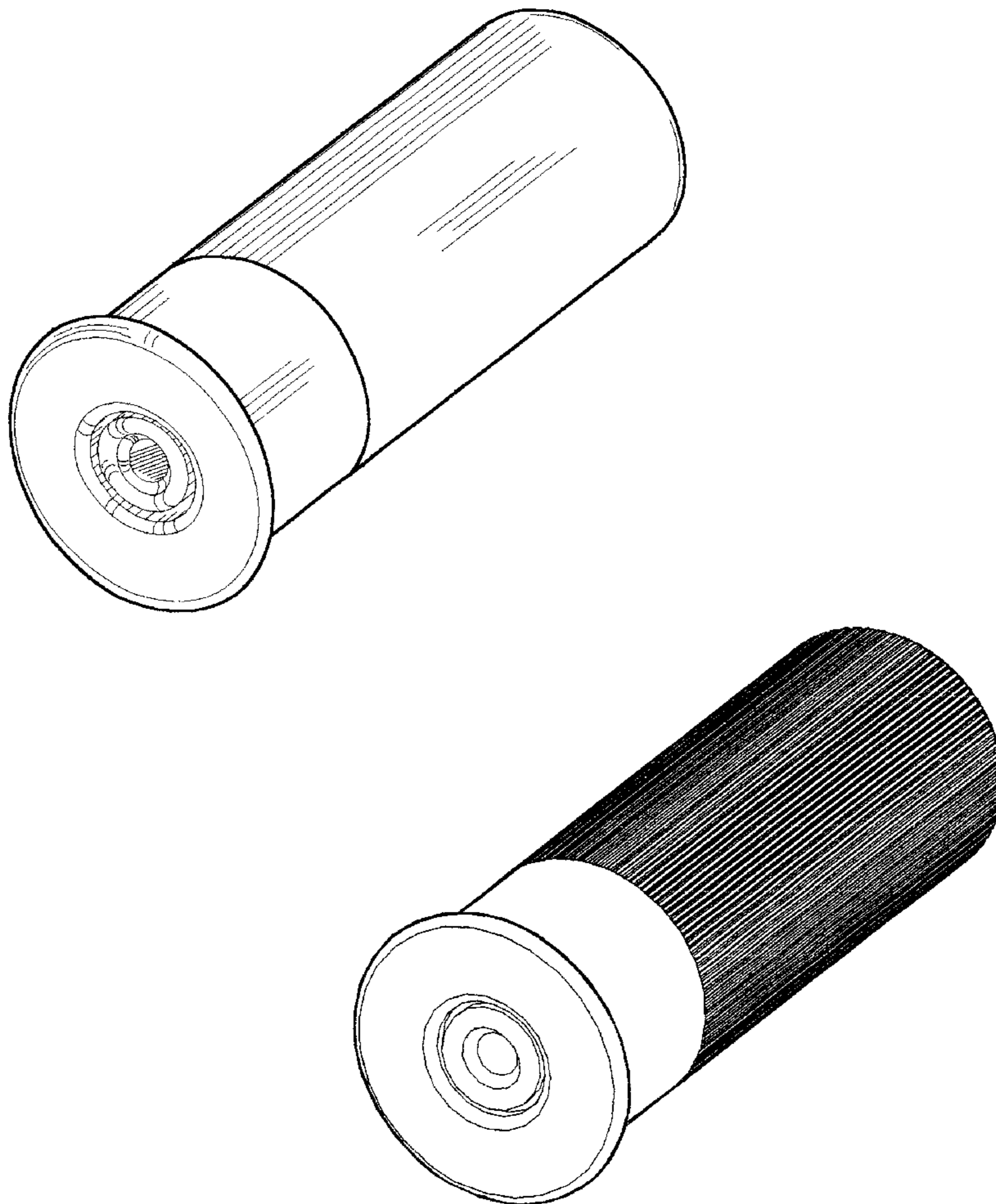


FIG. 1

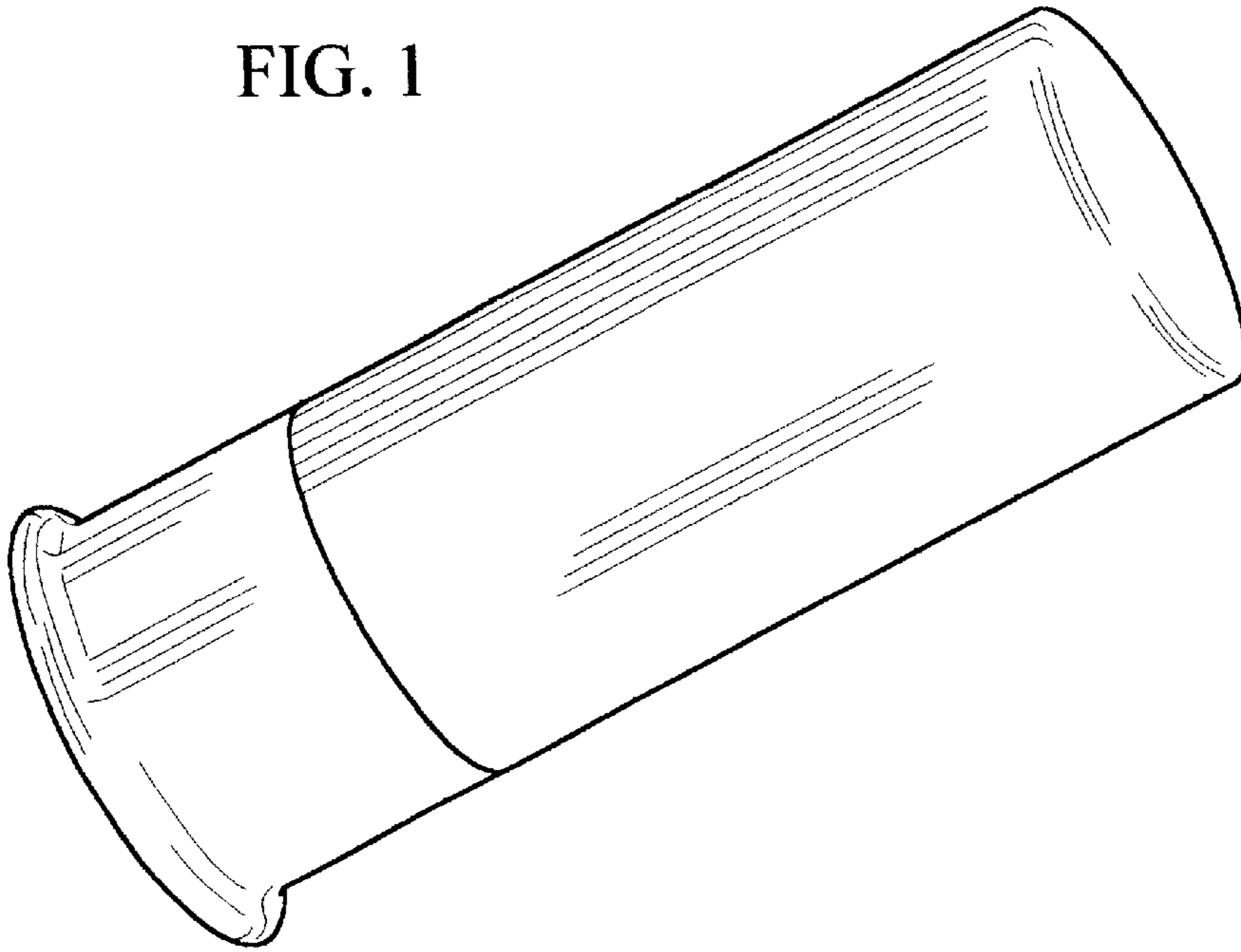


FIG. 2

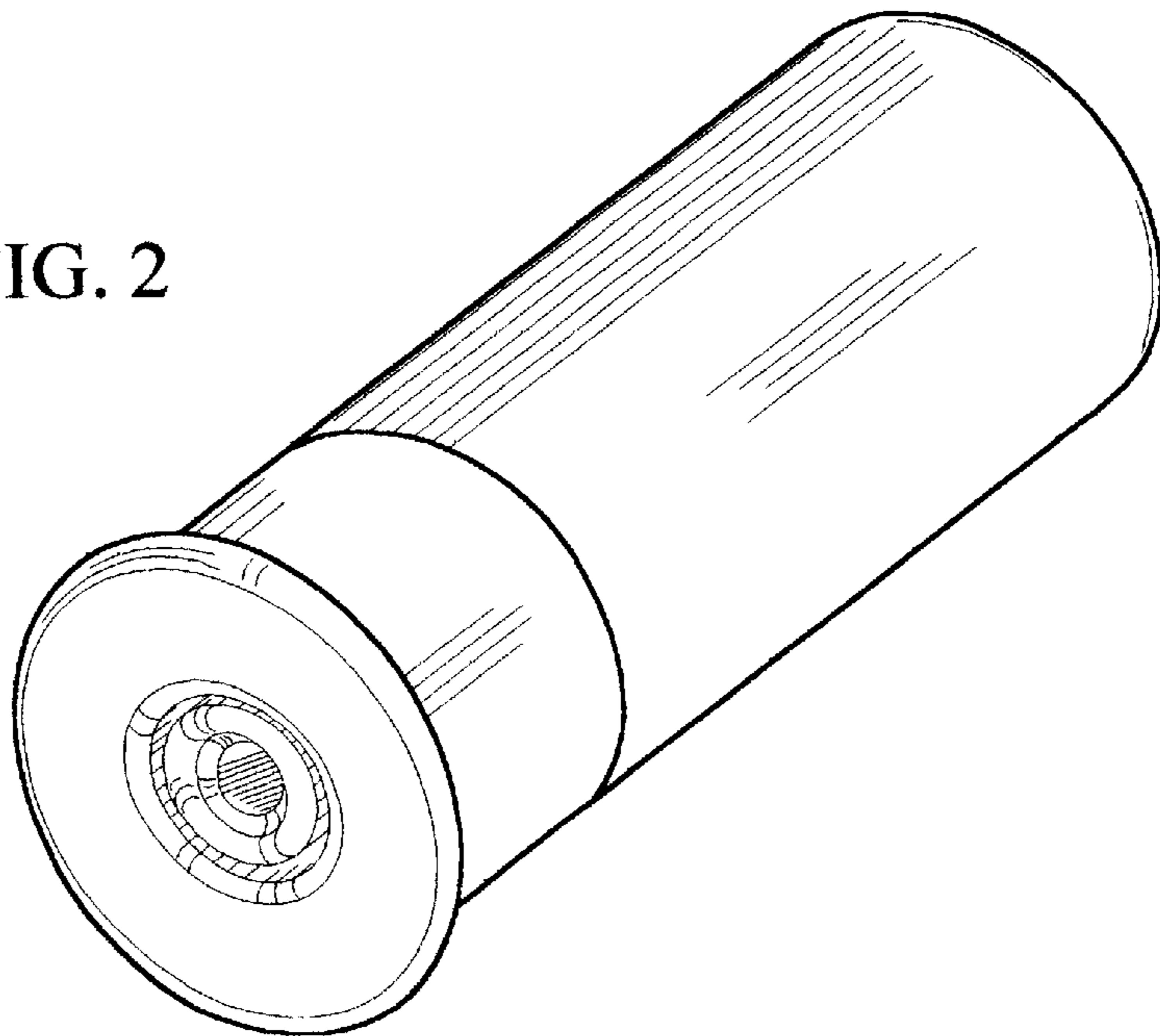


FIG. 3

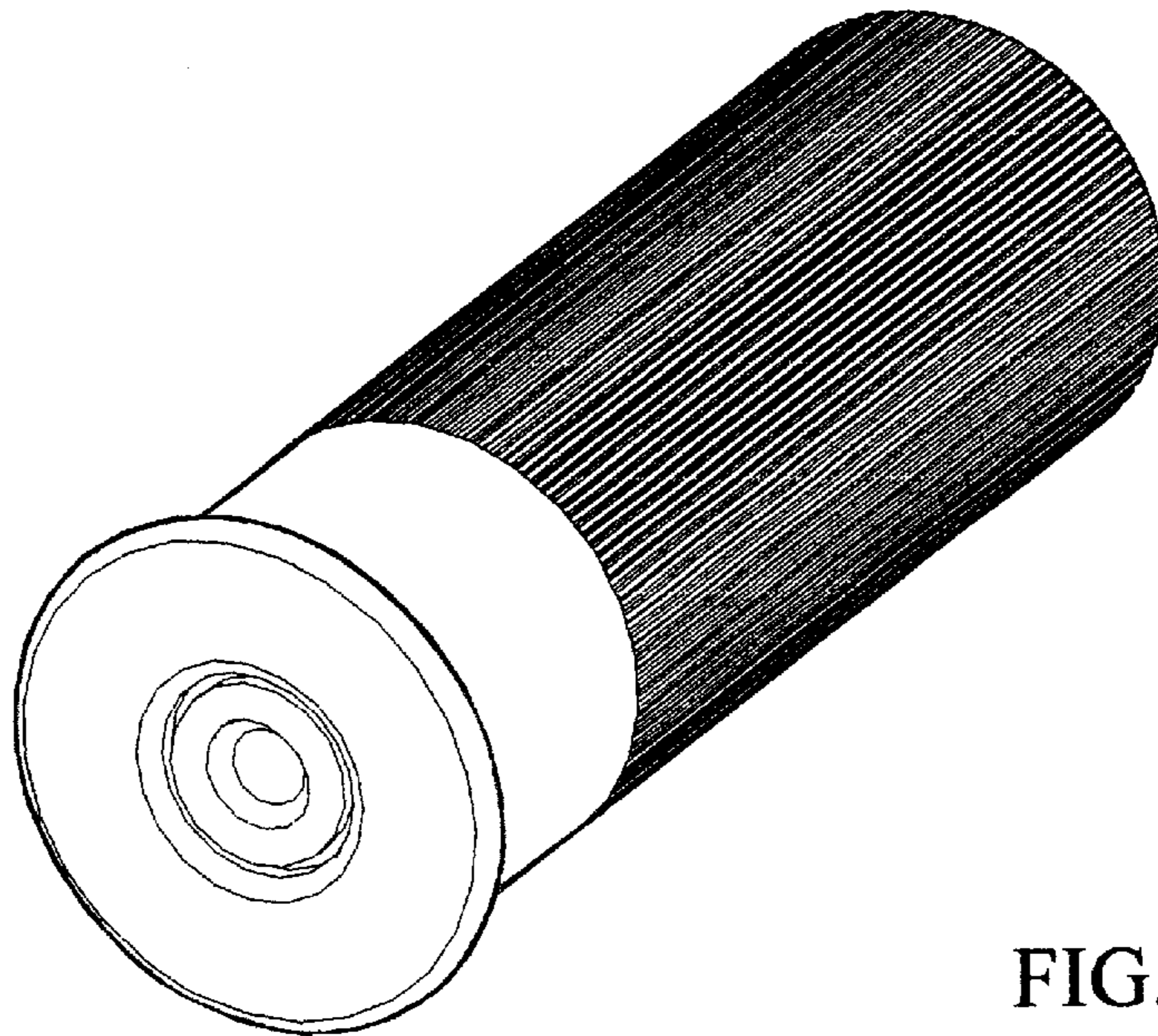
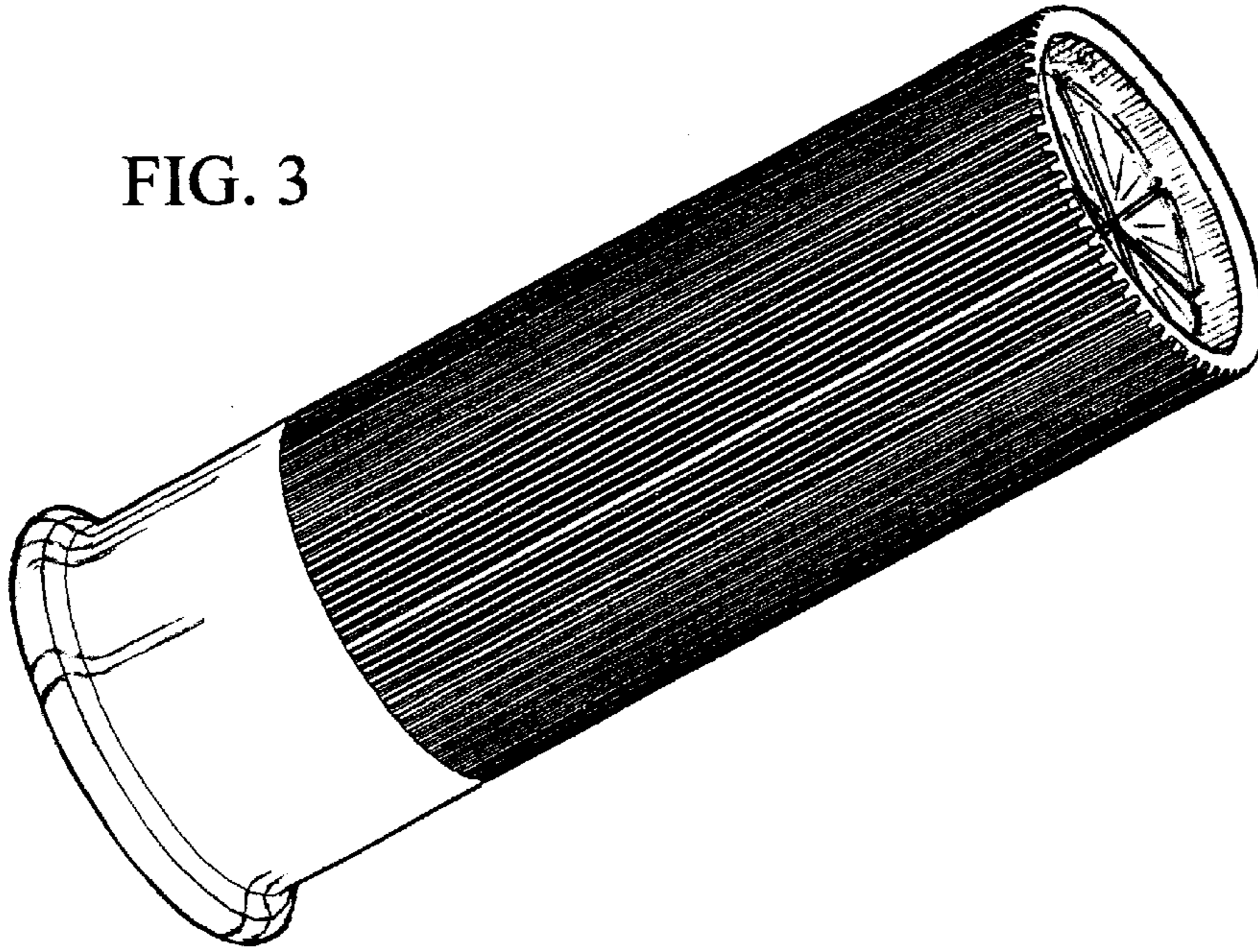


FIG. 4