



US00D482604S

(12) **United States Design Patent**  
**Smeja et al.**

(10) **Patent No.:** **US D482,604 S**

(45) **Date of Patent:** **\*\* Nov. 25, 2003**

(54) **SNOW GUARD**

(75) Inventors: **George Smeja, McHenry, IL (US);**  
**Michael V. Smeja, McHenry, IL (US)**

(73) Assignee: **Sno-Gem, Inc., McHenry, IL (US)**

(\*\*) Term: **14 Years**

(21) Appl. No.: **29/160,699**

(22) Filed: **May 15, 2002**

(51) **LOC (7) Cl.** ..... **08-99**

(52) **U.S. Cl.** ..... **D8/499**

(58) **Field of Search** ..... D8/400, 499; 52/24,  
52/26; D25/199

(56) **References Cited**

**U.S. PATENT DOCUMENTS**

D30,788 S	*	5/1899	Clark	.....	D8/499
D254,051 S	*	1/1980	Zaleski	.....	D8/499
5,471,799 A	*	12/1995	Smeja et al.	.....	52/24
5,664,374 A	*	9/1997	Lee	.....	52/24

D418,403 S	*	1/2000	Cline	.....	D8/499
D419,863 S	*	2/2000	Mullane	.....	D8/499
6,266,929 B1	*	7/2001	Cline	.....	52/24
D457,423 S	*	5/2002	Mullane	.....	D8/499

\* cited by examiner

*Primary Examiner*—Brian N. Vinson

(74) *Attorney, Agent, or Firm*—Fitch, Even, Tabin & Flannery

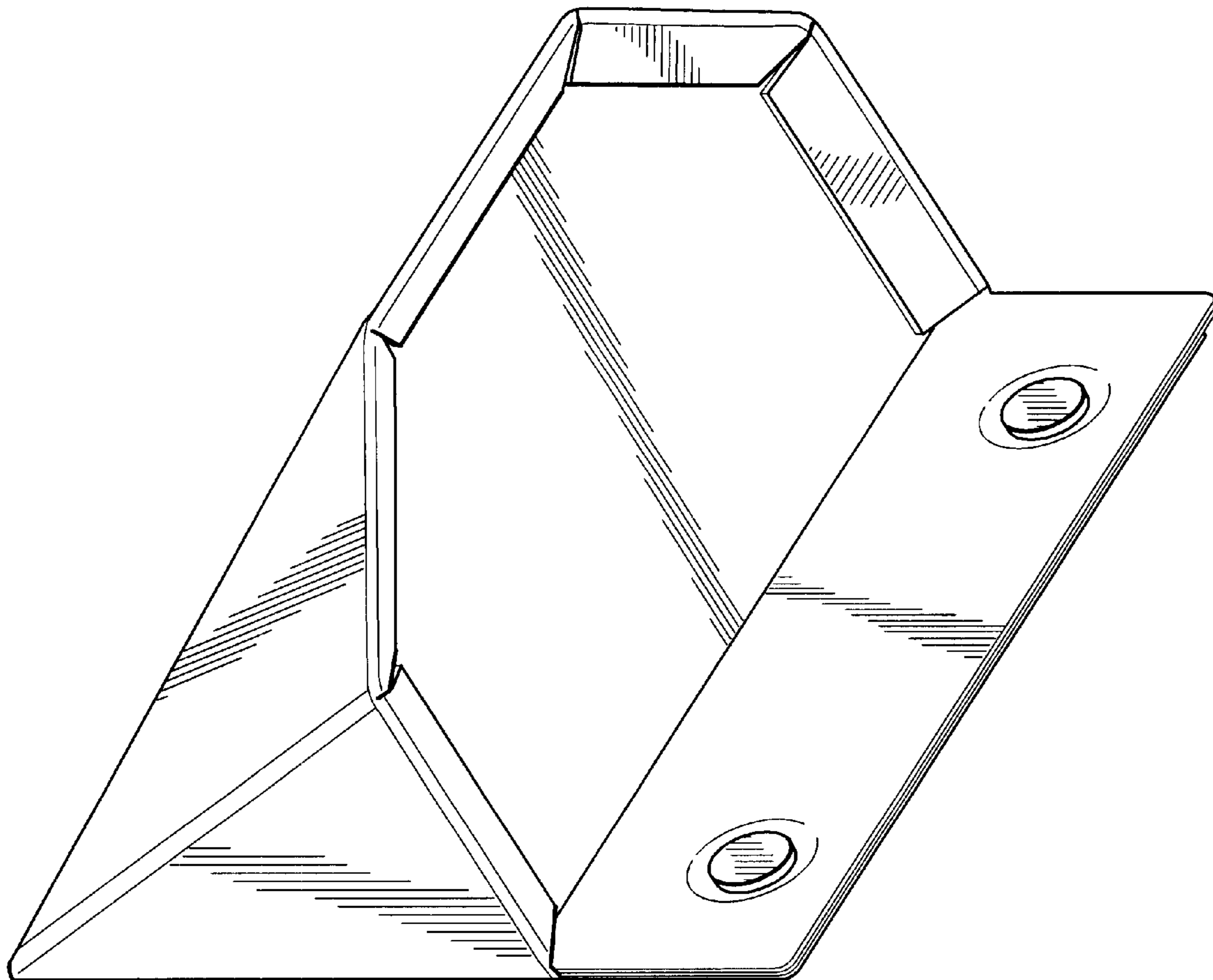
(57) **CLAIM**

We claim the ornamental design for the snow guard, as shown and described.

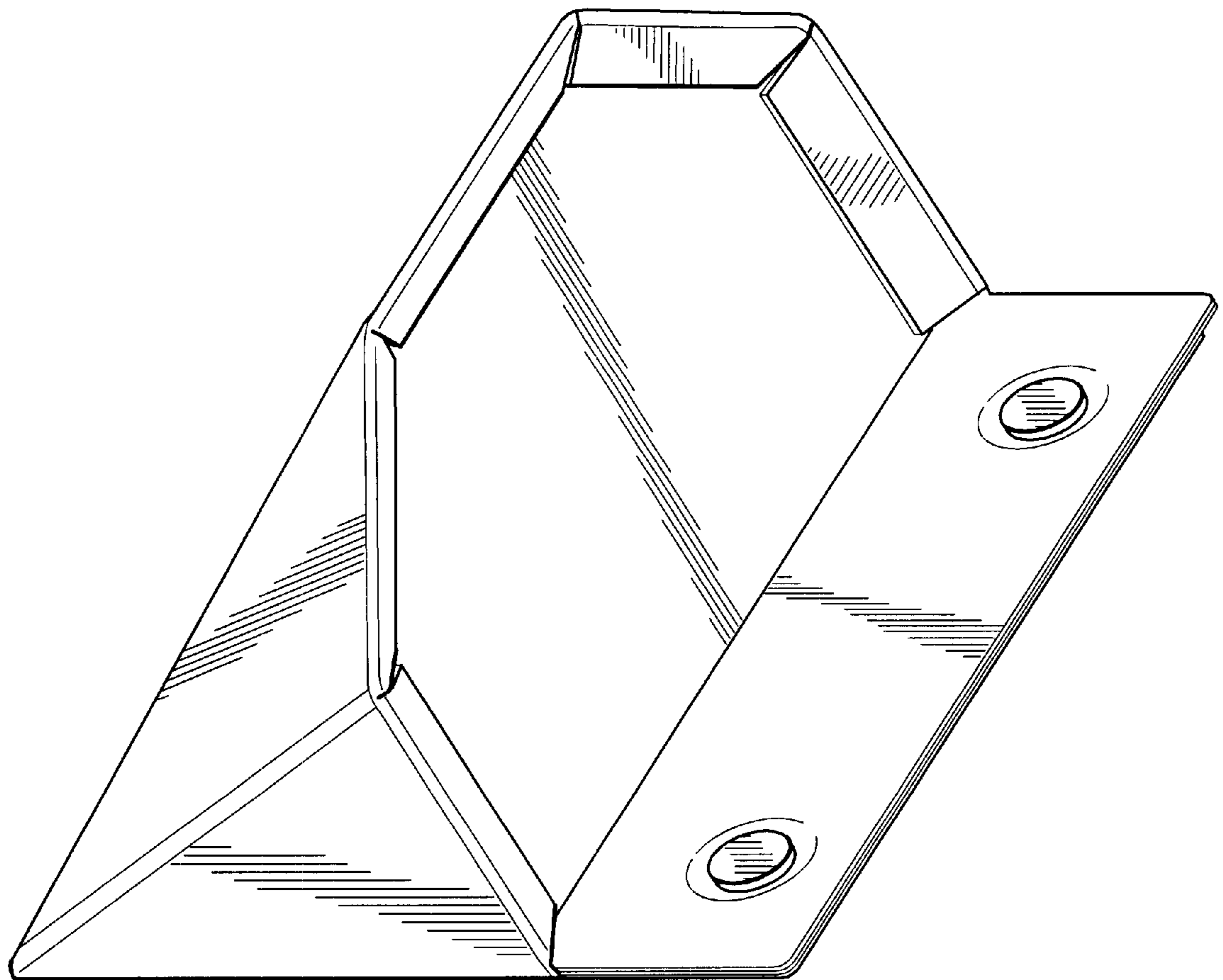
**DESCRIPTION**

FIG. 1 is a perspective view of a snow guard;  
FIG. 2 is a plan view of a snow guard;  
FIG. 3 is a bottom view thereof;  
FIG. 4 is a front elevational view thereof;  
FIG. 5 is a rear elevational view thereof;  
FIG. 6 is a right side elevational view thereof; and,  
FIG. 7 is a left side elevational view thereof.

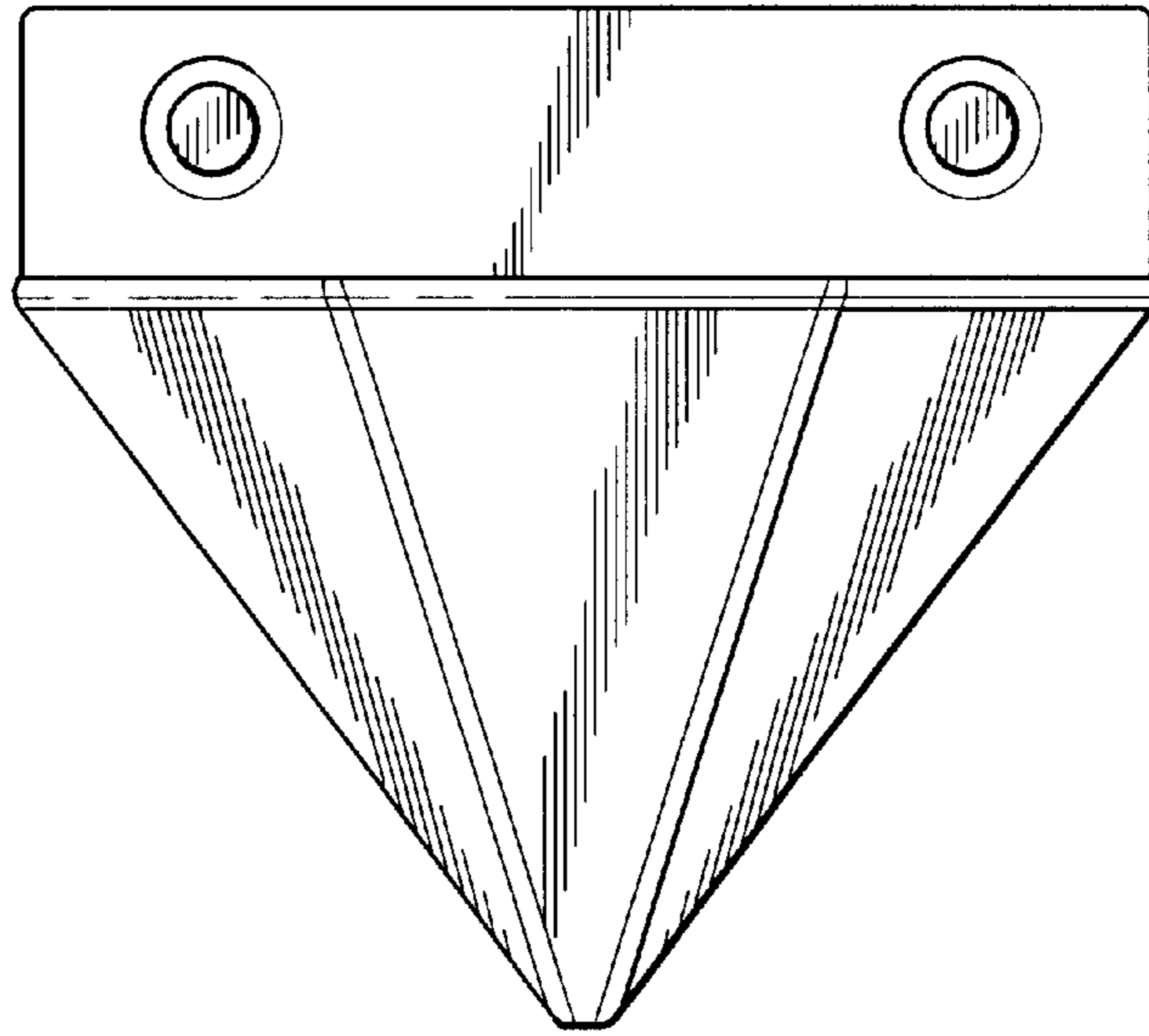
**1 Claim, 4 Drawing Sheets**



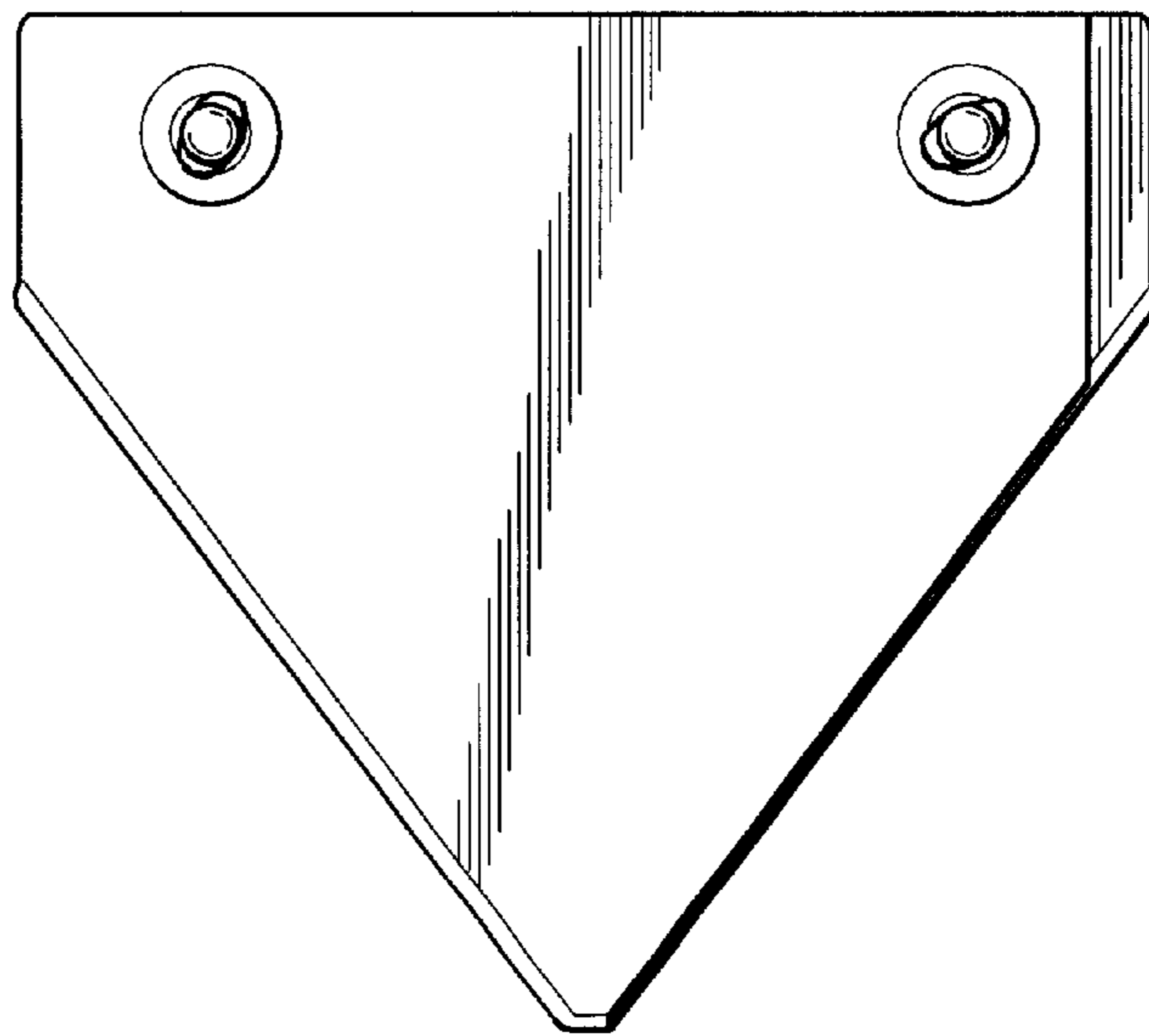
*Fig. 1*



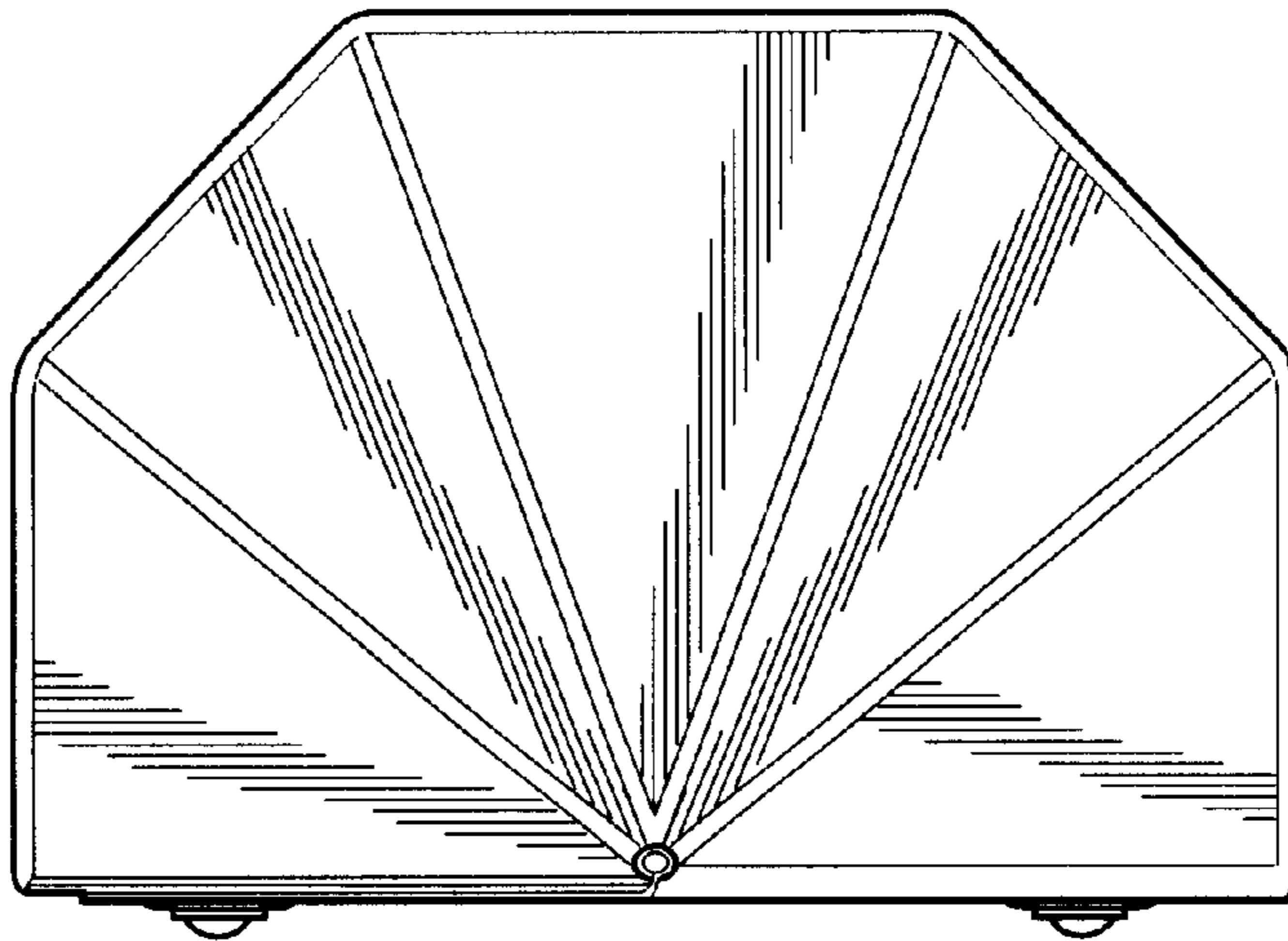
*Fig. 2*



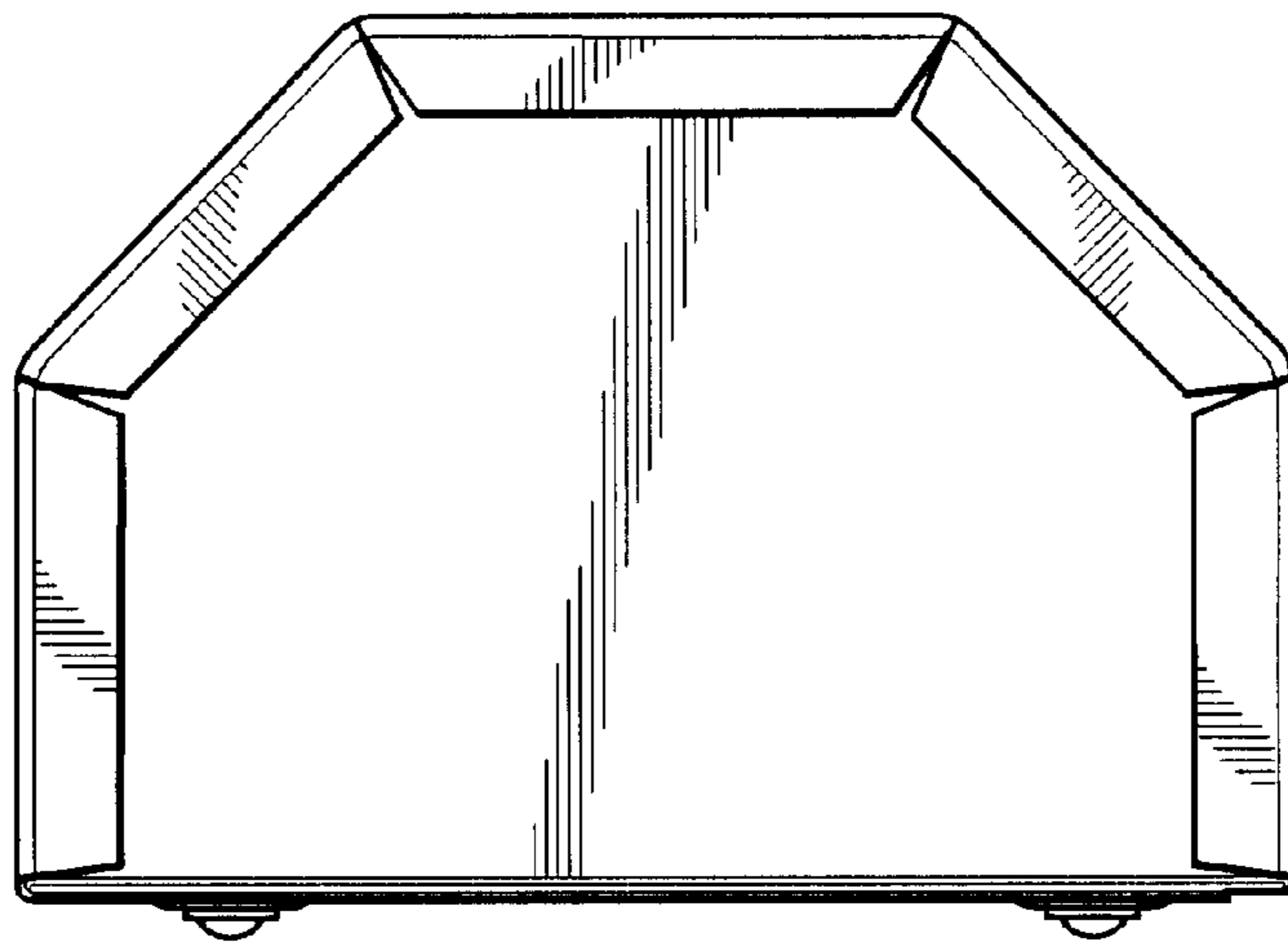
*Fig. 3*



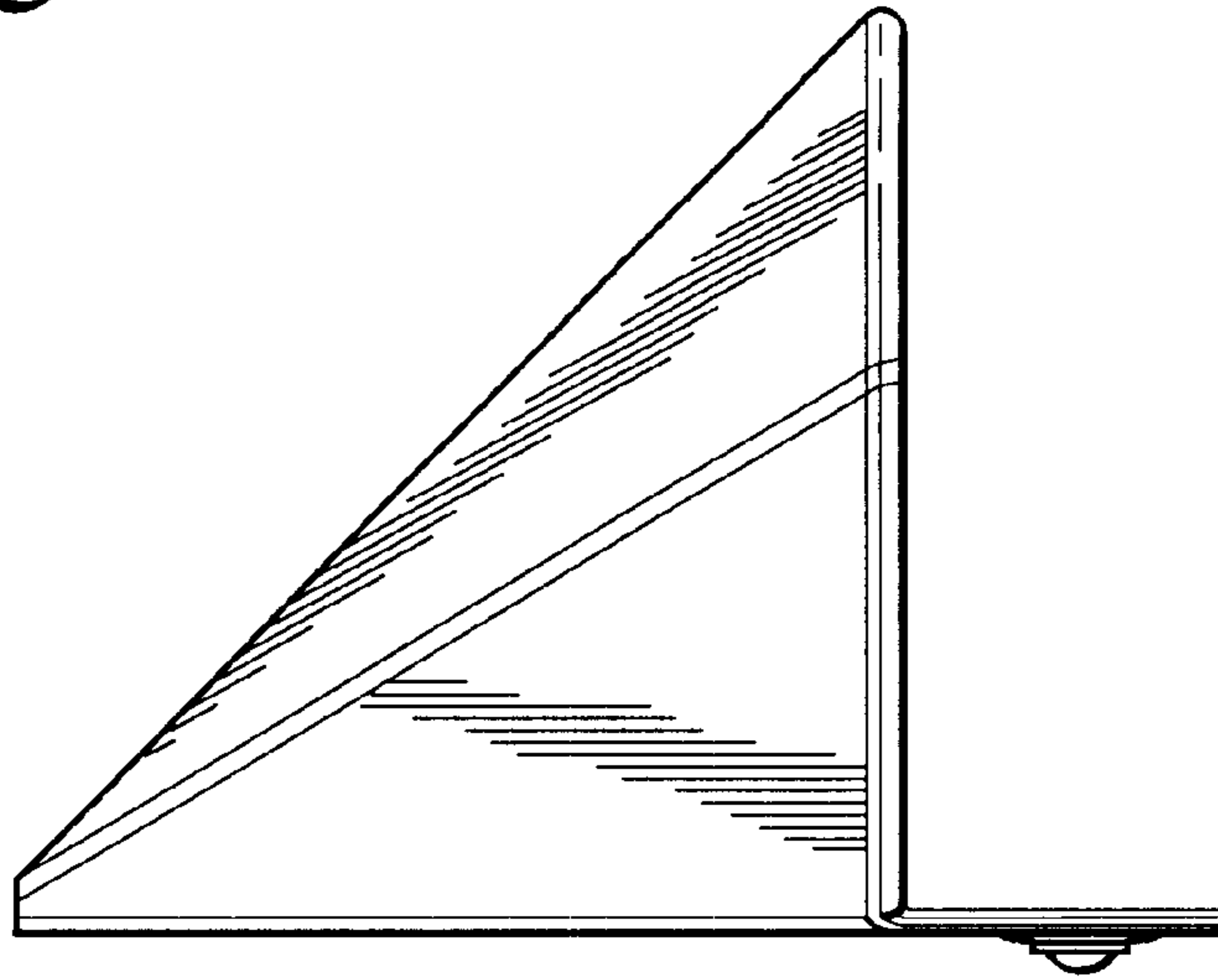
*Fig. 4*



*Fig. 5*



*Fig. 6*



*Fig. 7*

