



US00D482602S

(12) **United States Design Patent**
Holden

(10) **Patent No.:** **US D482,602 S**

(45) **Date of Patent:** **** Nov. 25, 2003**

(54) **UNIVERSAL CONNECTOR**

(76) Inventor: **Darrell A. Holden**, 1100 Young Pl.,
High Point, NC (US) 27260

(**) Term: **14 Years**

(21) Appl. No.: **29/178,150**

(22) Filed: **Mar. 21, 2003**

(51) **LOC (7) Cl.** **08-08**

(52) **U.S. Cl.** **D8/382**

(58) **Field of Search** D8/382; 403/403,
403/205, 231, 170-171, 300-301, 310-311

(56) **References Cited**

U.S. PATENT DOCUMENTS

1,058,482 A * 4/1913 Spurgeon 403/301
1,321,253 A * 11/1919 Wagner 403/300

* cited by examiner

Primary Examiner—Holly Baynham

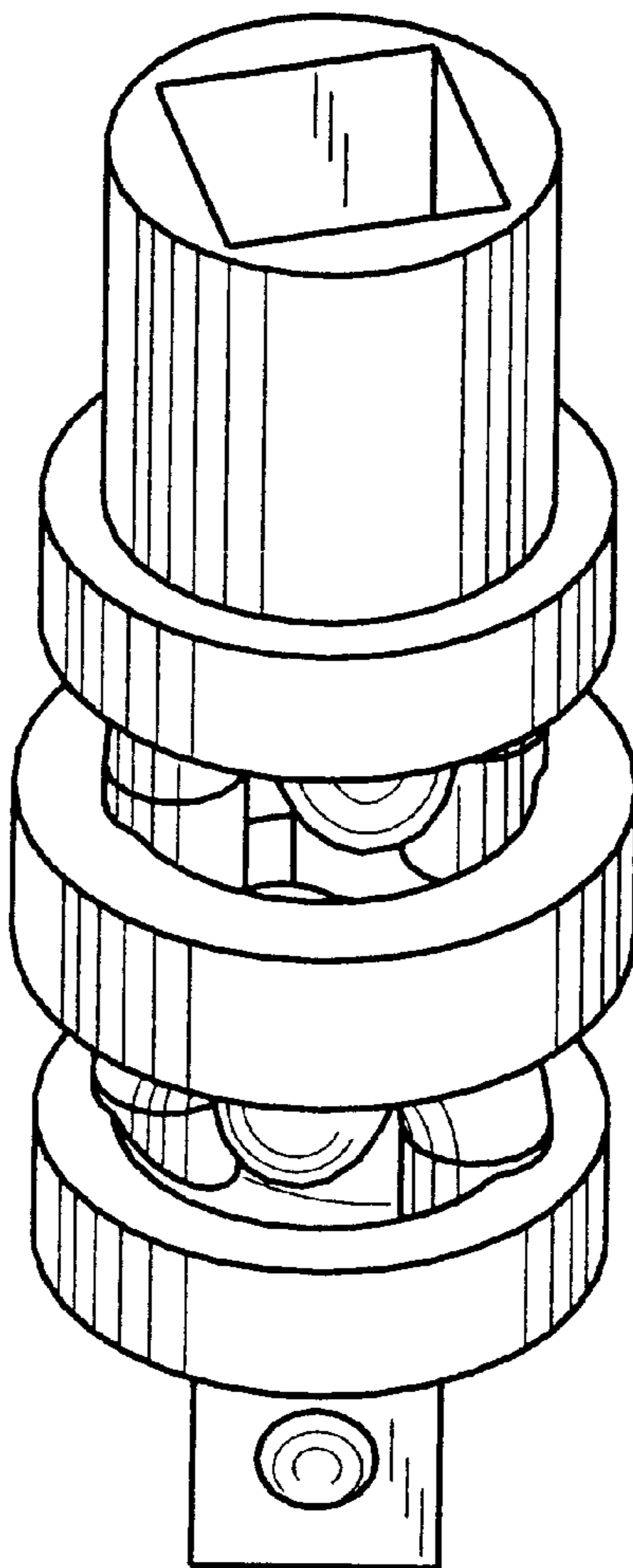
(57) **CLAIM**

The ornamental design for a universal connector, as shown and described.

DESCRIPTION

FIG. 1 is a front, top perspective view of a universal connector embodying my design;
FIG. 2 is a bottom, front perspective view thereof;
FIG. 3 is a bottom plan view thereof;
FIG. 4 is a top plan view thereof;
FIG. 5 is a front elevational view thereof;
FIG. 6 is a left side elevational view thereof;
FIG. 7 is a rear elevational view thereof;
FIG. 8 is a right side elevational view thereof;
FIG. 9 is a top plan view of the universal connector in a 90° configuration;
FIG. 10 is a front, right side perspective view of the universal connector in a 90° configuration;
FIG. 11 is a rear elevational view of the universal connector in a 90° configuration; and,
FIG. 12 is a front elevational view of the universal connector in a 90° configuration.

1 Claim, 5 Drawing Sheets



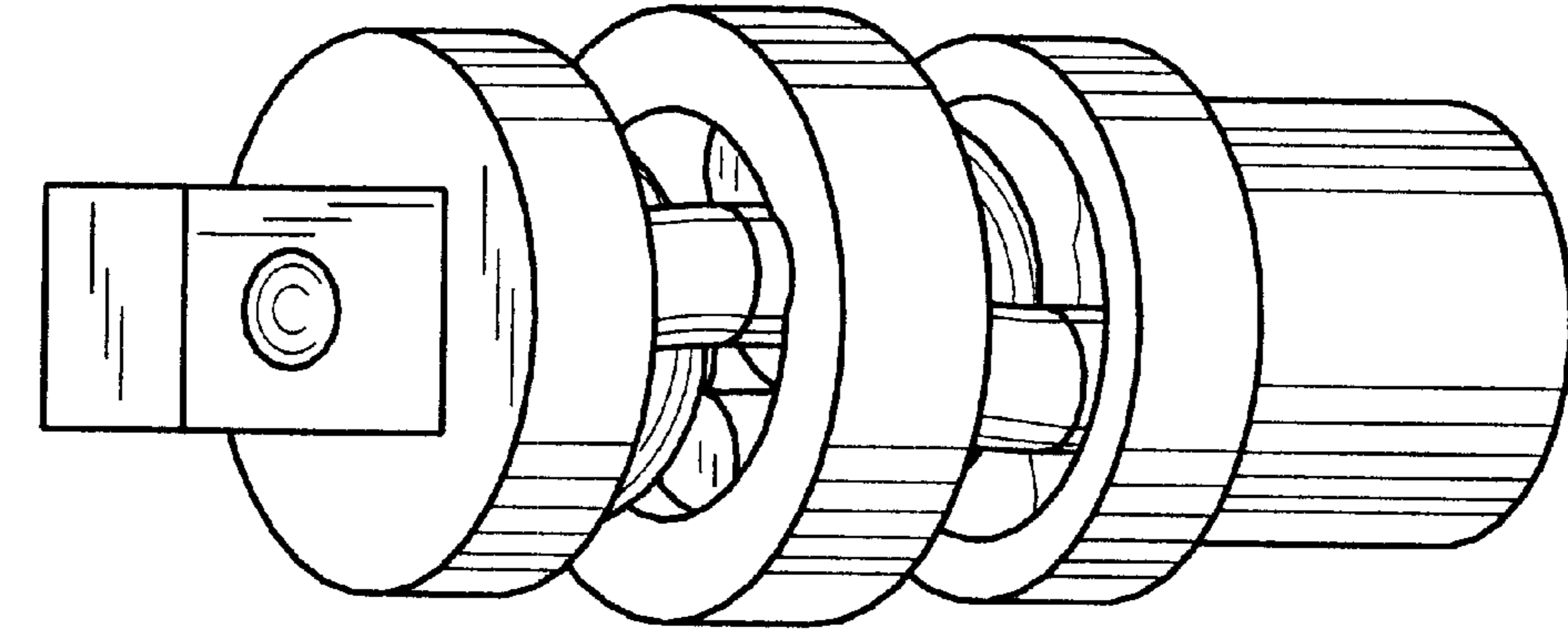


FIG. 1

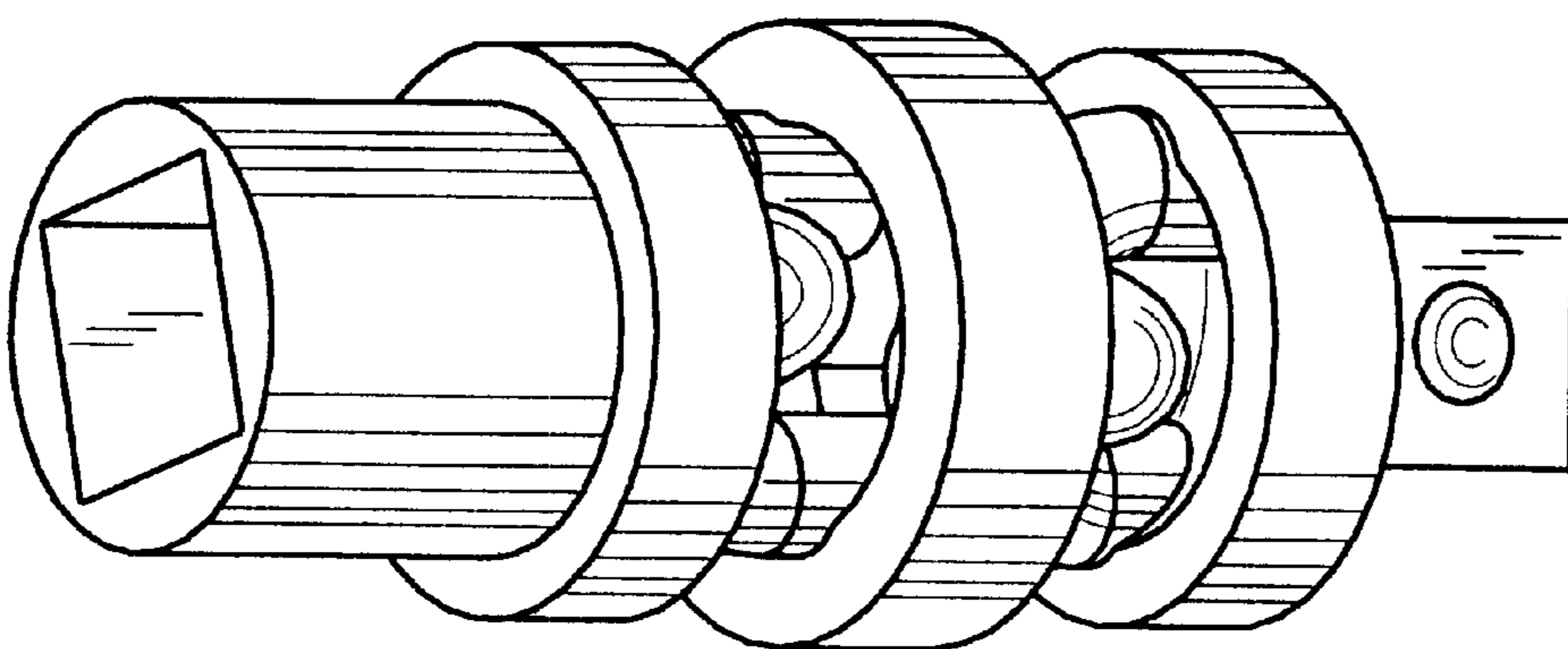


FIG. 2

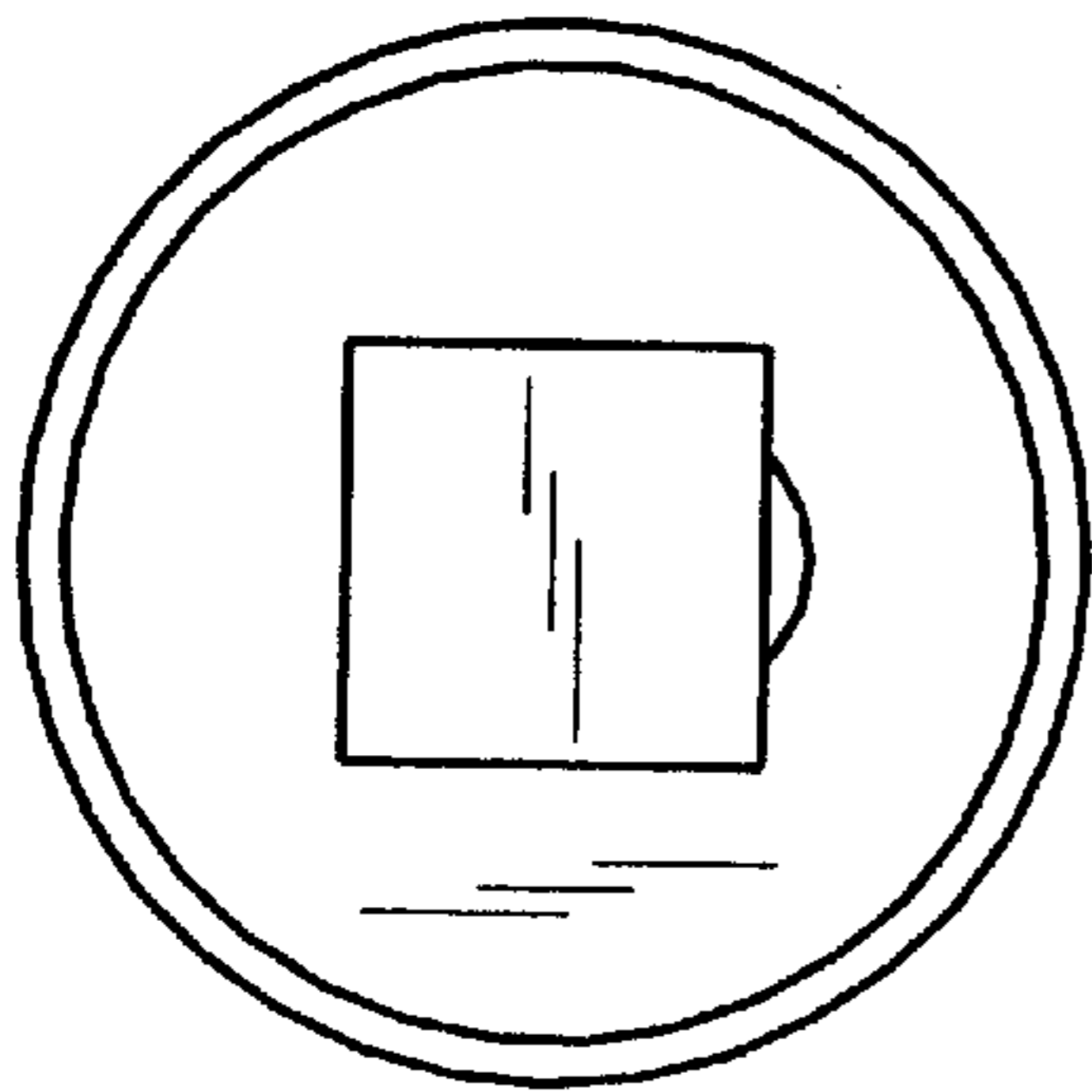


FIG. 3

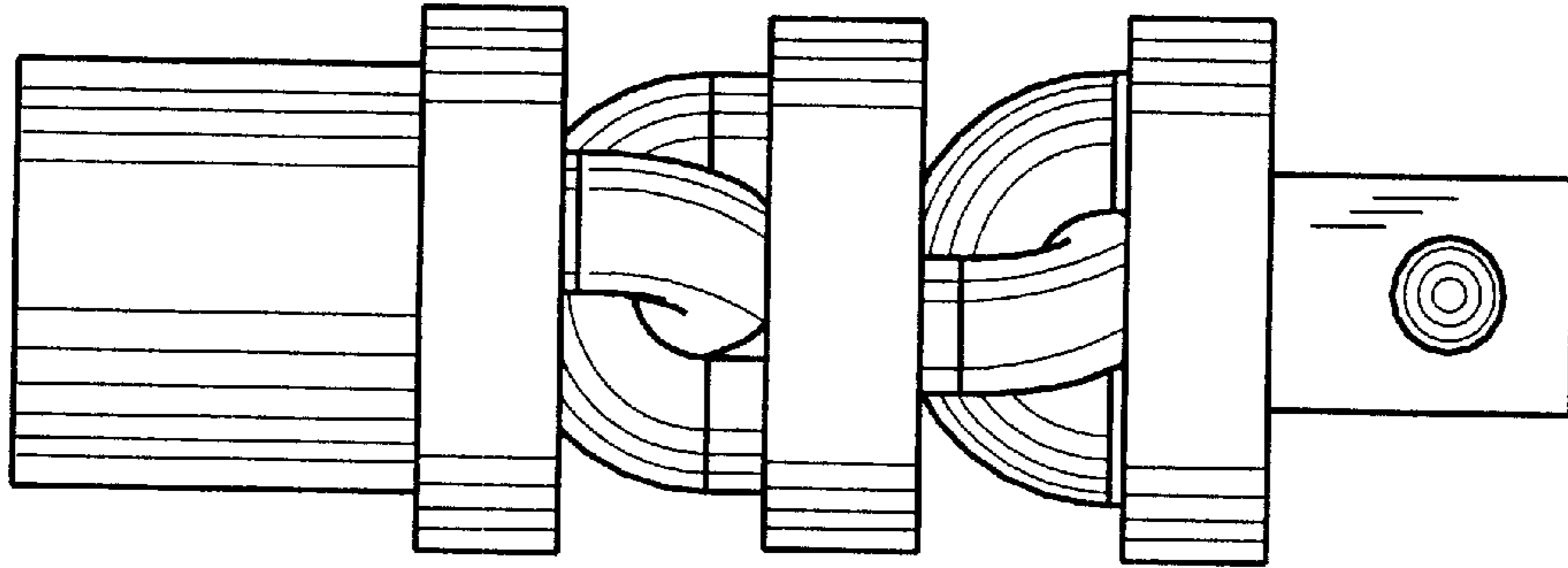


FIG. 5

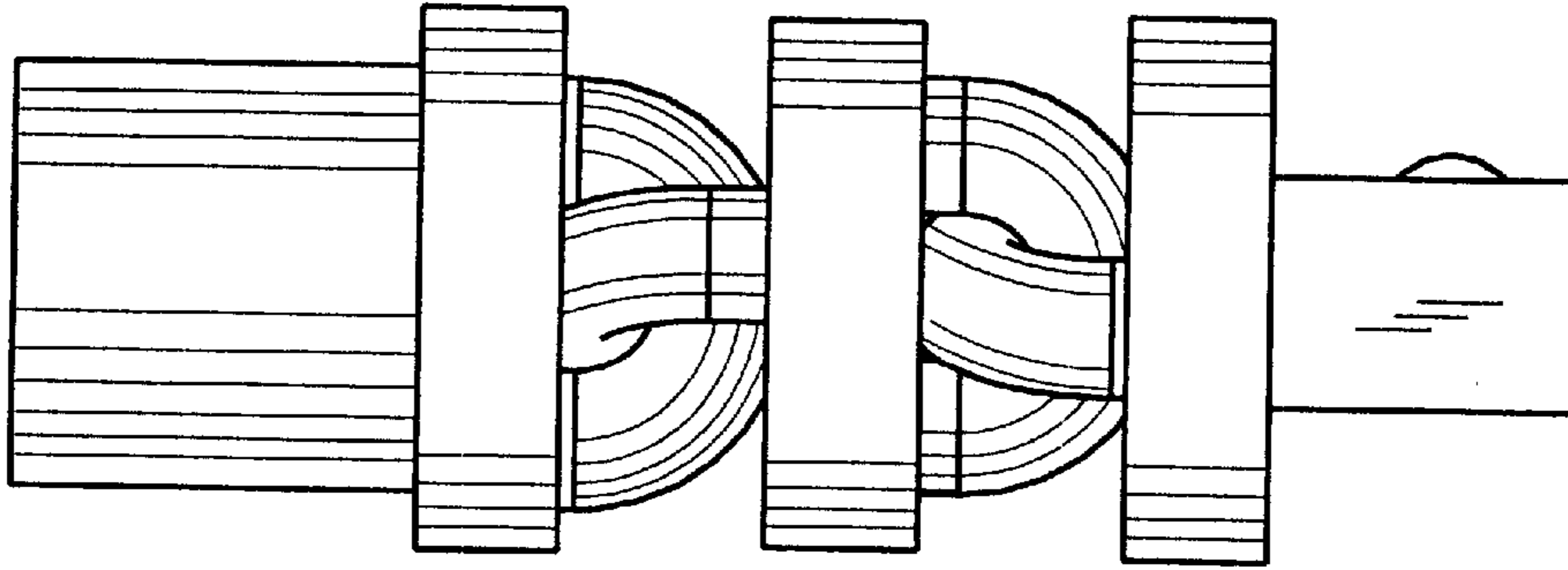


FIG. 6

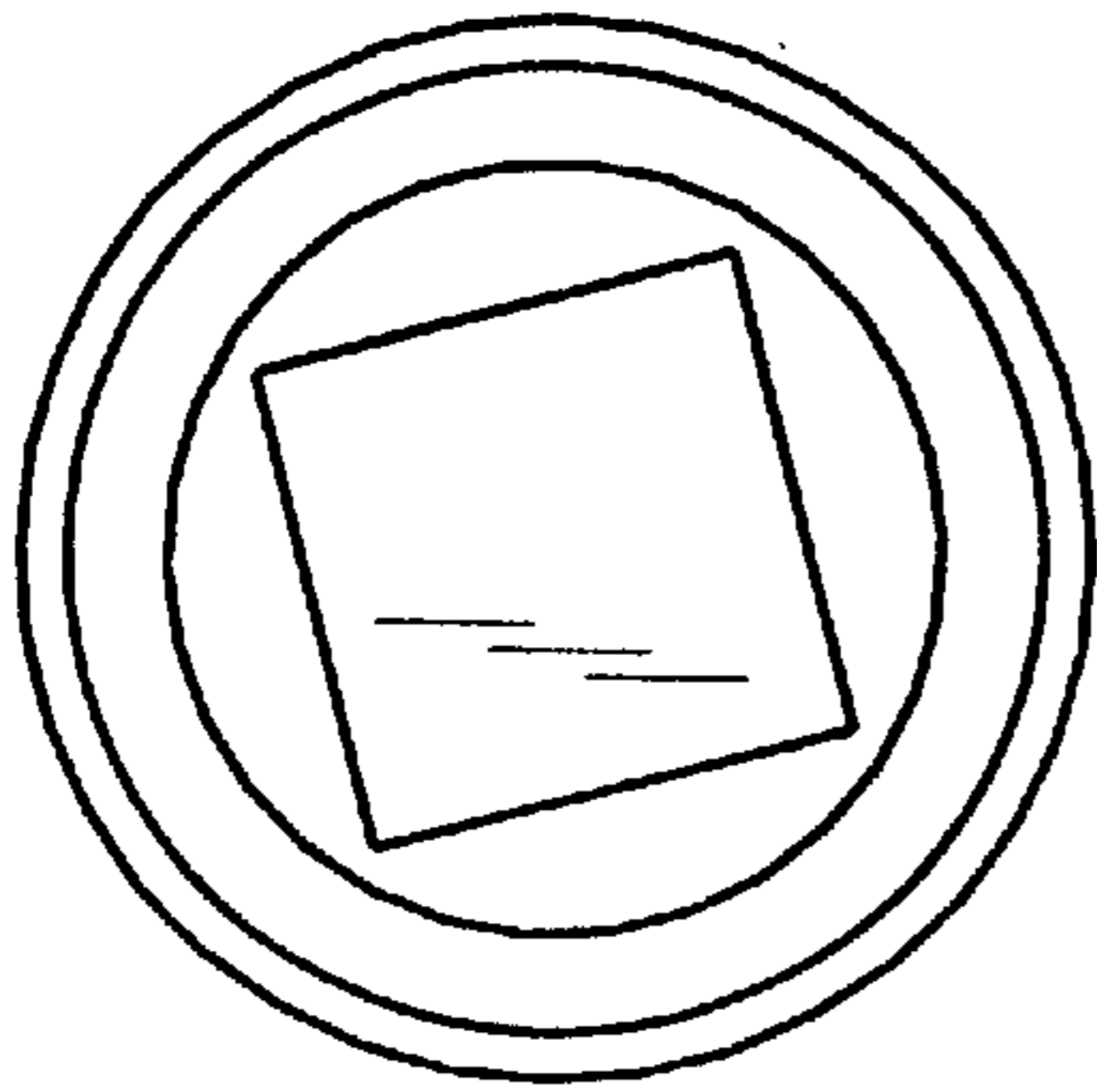


FIG. 4

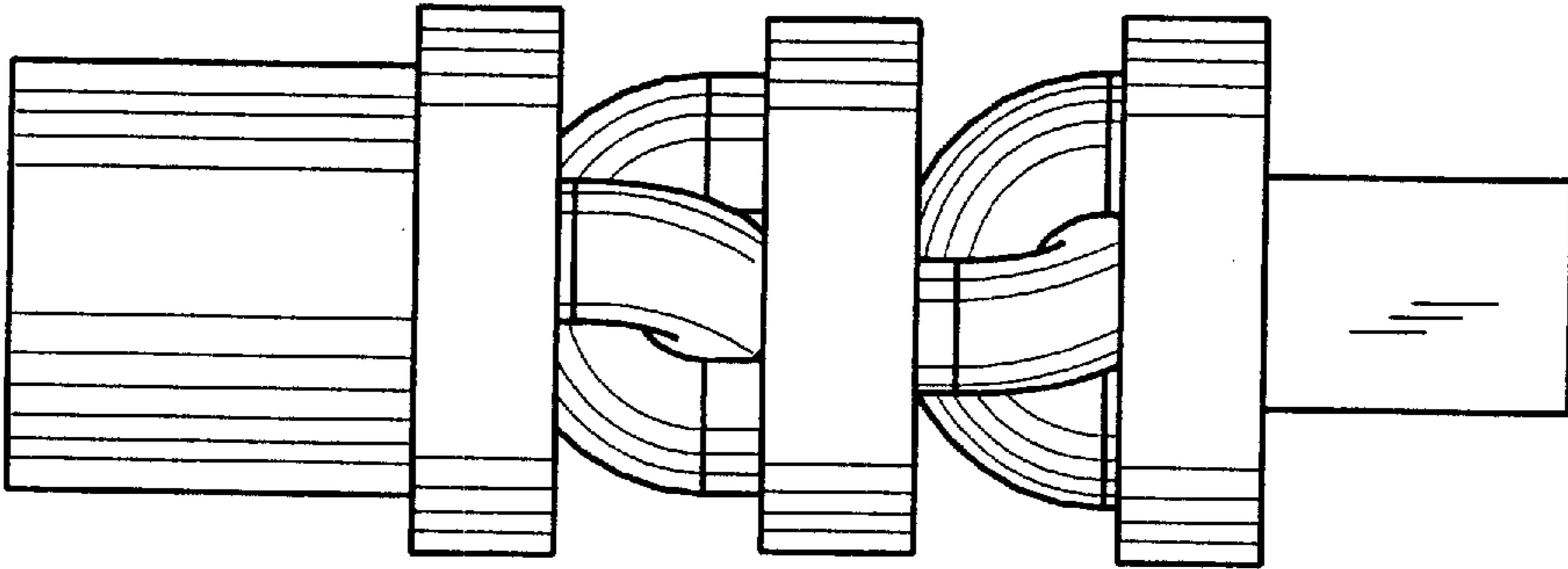


FIG. 7

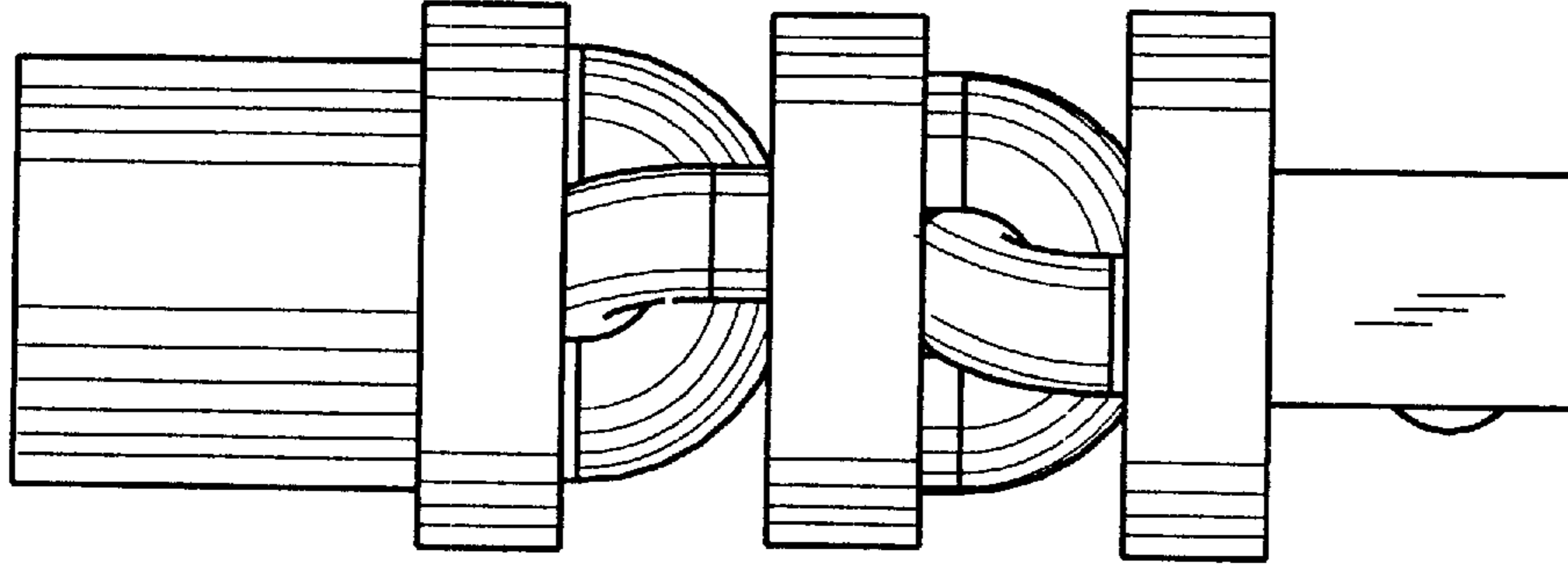


FIG. 8

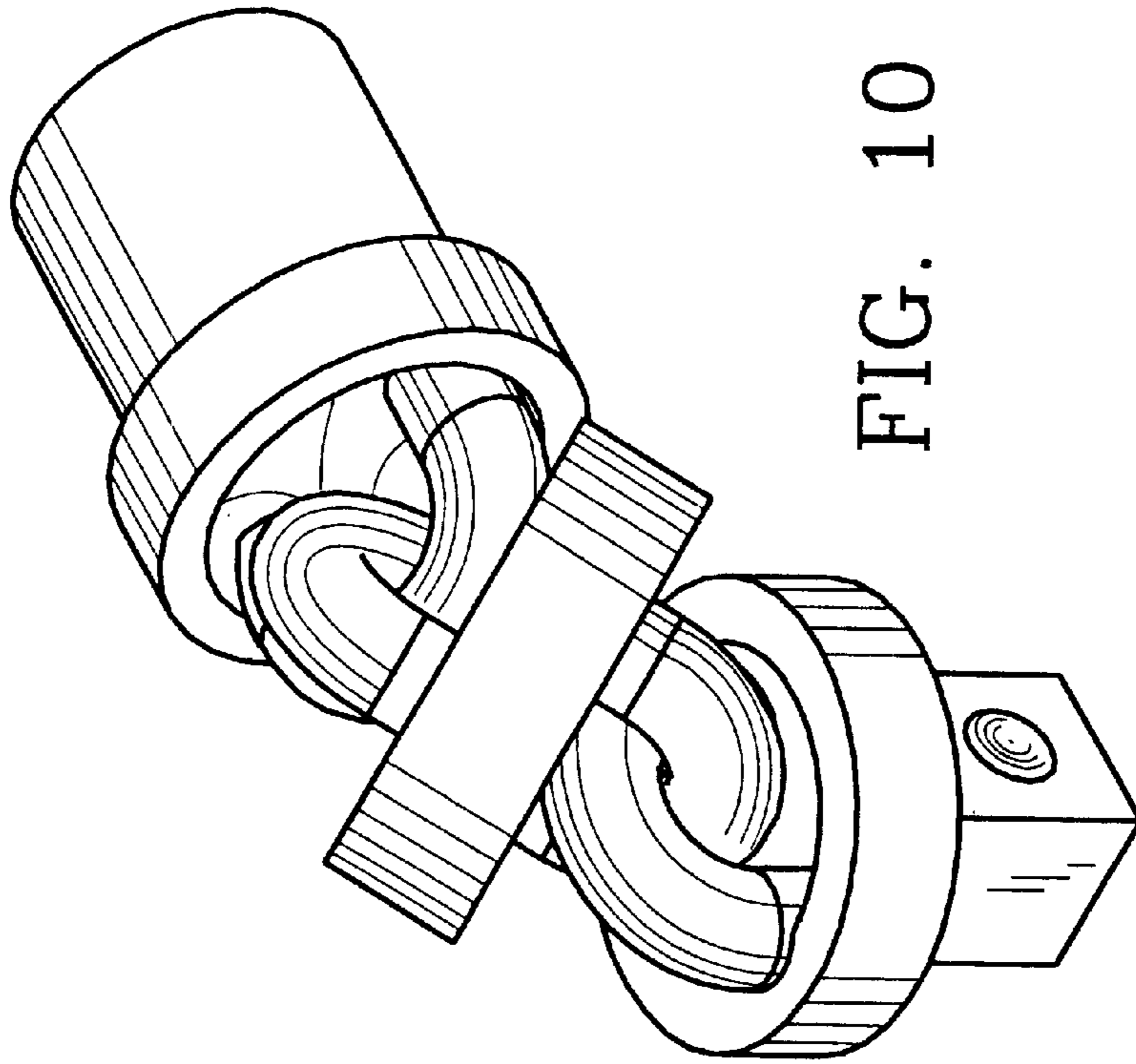


FIG. 10

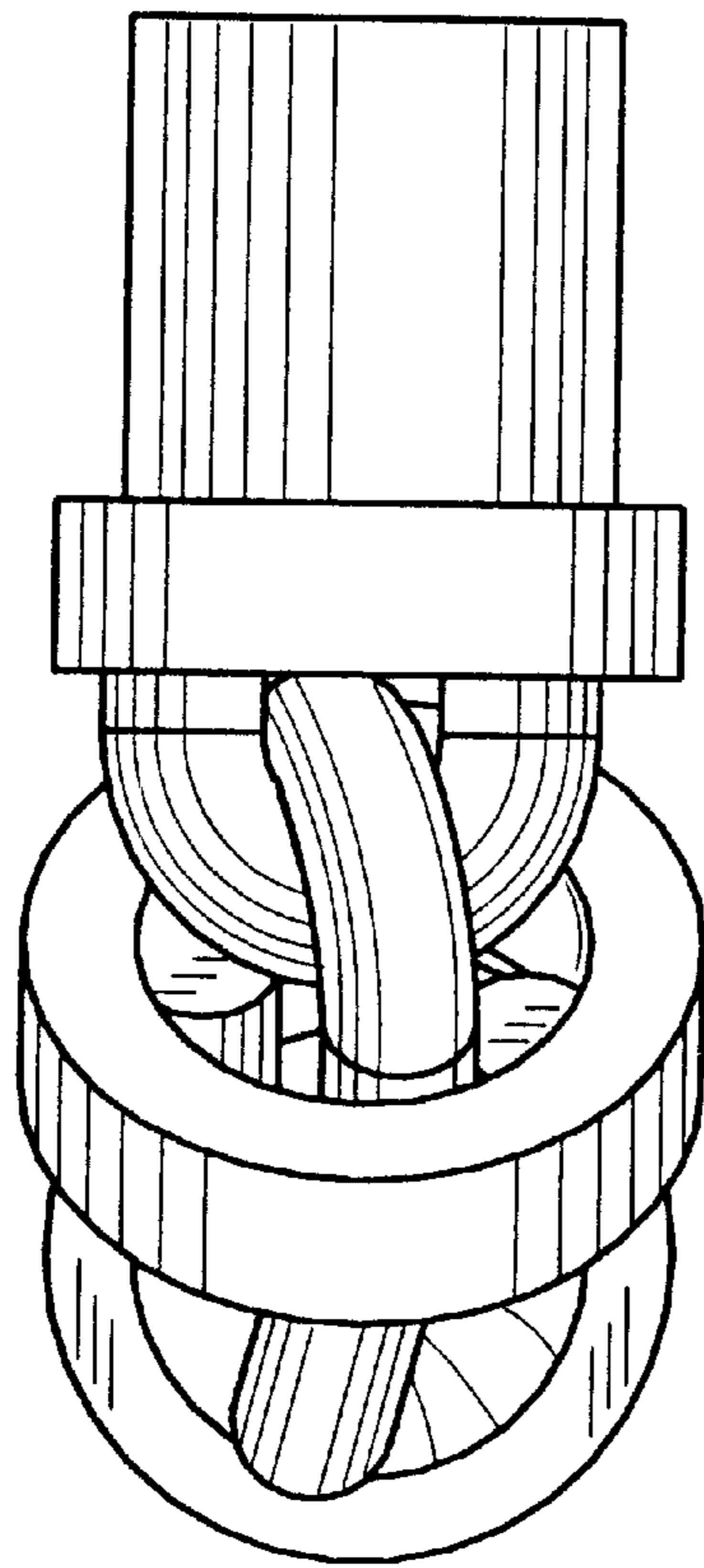


FIG. 9

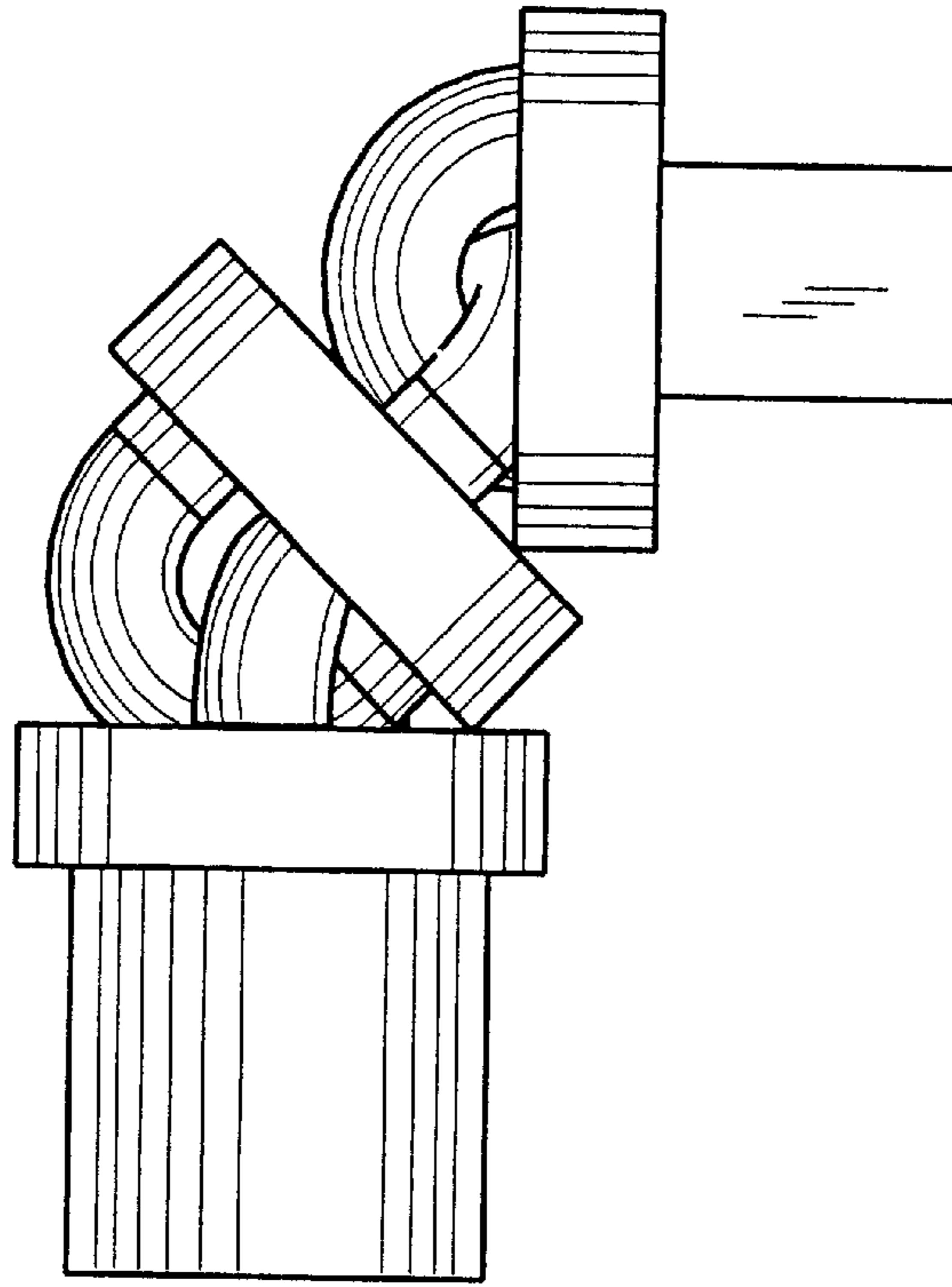


FIG. 11

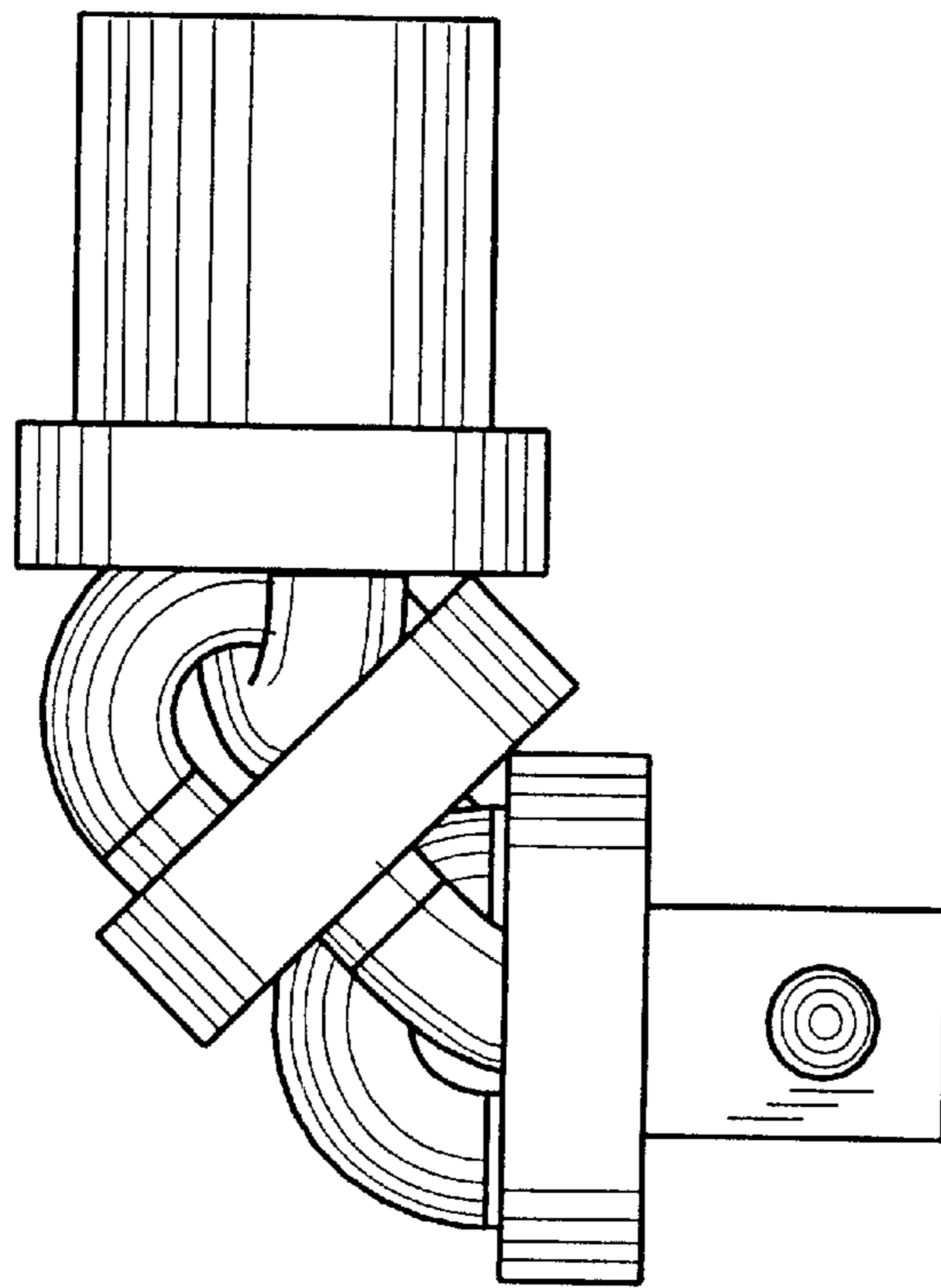


FIG. 12