



US00D482601S

(12) **United States Design Patent**
Chen

(10) **Patent No.:** **US D482,601 S**

(45) **Date of Patent:** **** Nov. 25, 2003**

(54) **DESK TRAY SUPPORT**

FOREIGN PATENT DOCUMENTS

(75) Inventor: **Peter Chen**, Lawrenceville, NJ (US)

EP 966902 A1 * 12/1999 A47B/43/00

(73) Assignee: **Officemate International Corp.**,
Edison, NJ (US)

* cited by examiner

(**) Term: **14 Years**

Primary Examiner—Holly Baynham
(74) *Attorney, Agent, or Firm*—Daniel Kirshner

(21) Appl. No.: **29/176,405**

(57) **CLAIM**

(22) Filed: **Feb. 21, 2003**

The ornamental design for a desk tray support, as shown.

(51) **LOC (7) Cl.** **08-05**

DESCRIPTION

(52) **U.S. Cl.** **D8/380**

(58) **Field of Search** D8/381, 363; 248/235,
248/250

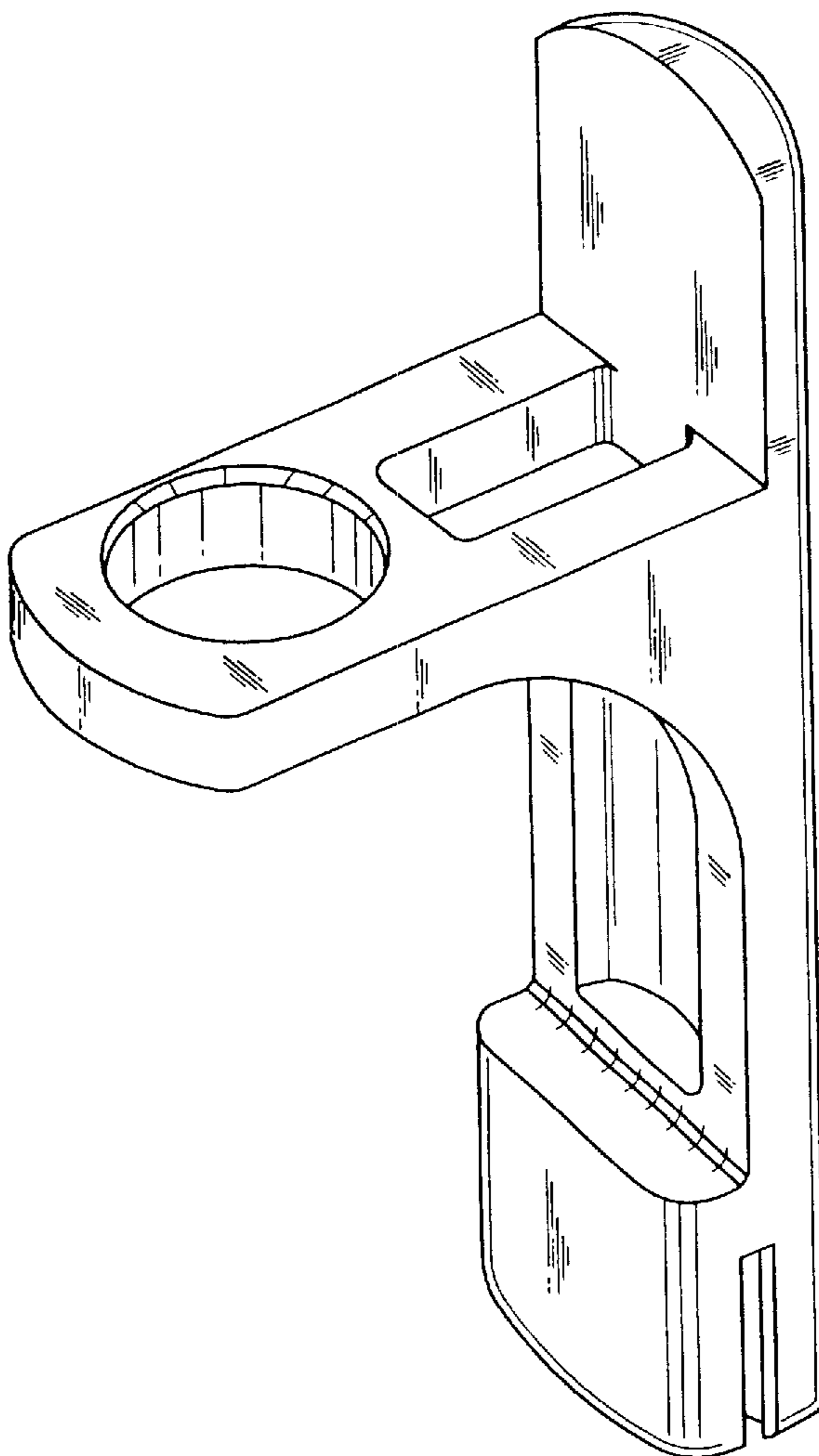
FIG. 1 is a front perspective view of the desk tray support showing the design;
FIG. 2 is a front elevational view thereof;
FIG. 3 is a rear elevational view thereof;
FIG. 4 is a left side elevational view thereof;
FIG. 5 is a right side elevational view thereof;
FIG. 6 is a top plan view thereof;
FIG. 7 is a bottom plan view thereof.

(56) **References Cited**

U.S. PATENT DOCUMENTS

D189,163 S * 11/1960 Grove D8/372
6,186,456 B1 * 2/2001 Marsh 248/243

1 Claim, 4 Drawing Sheets



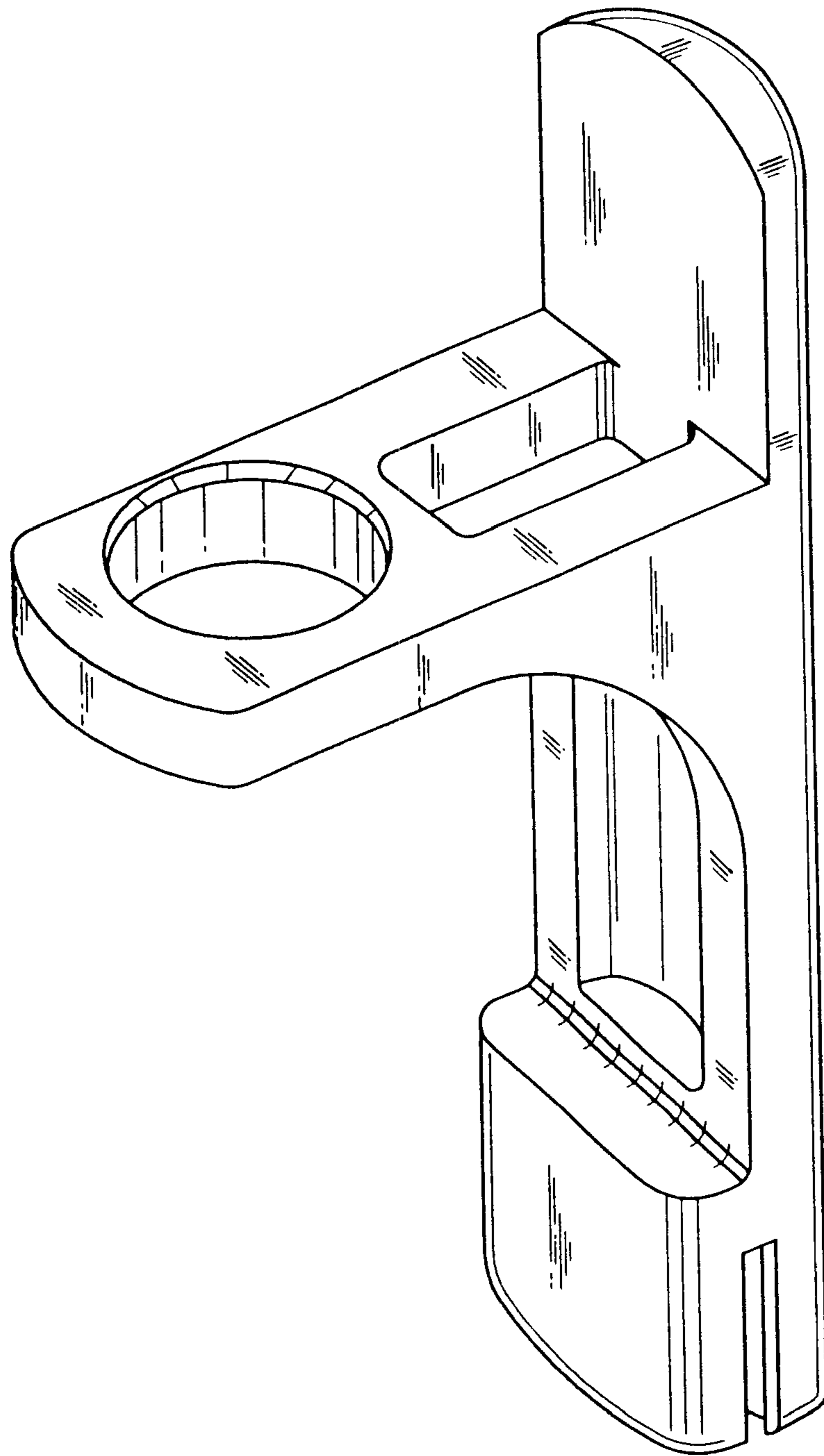


FIG. 1

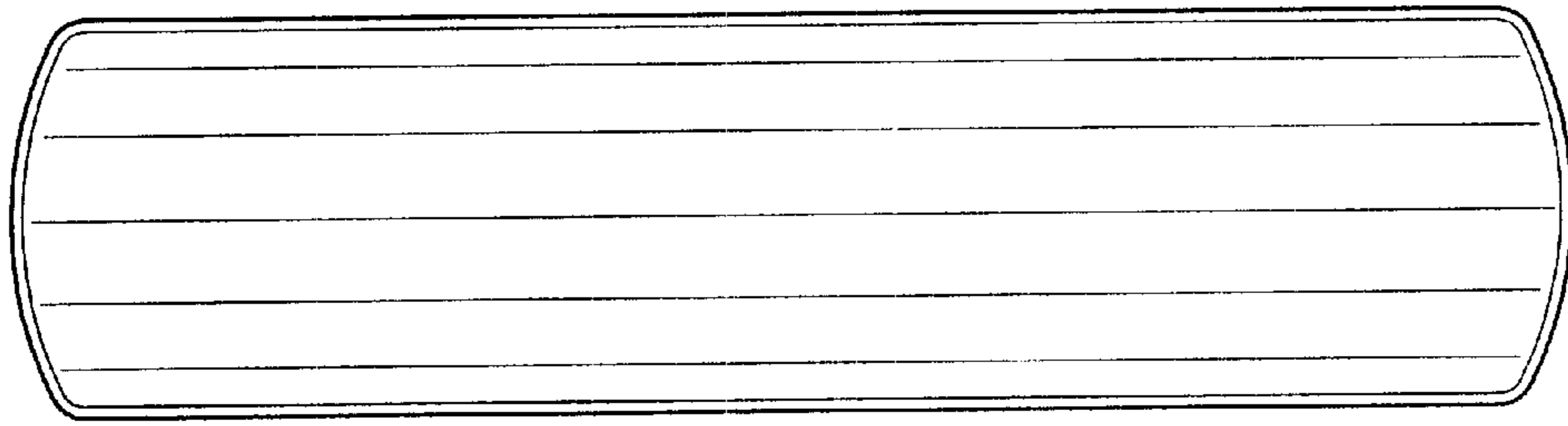


FIG. 3

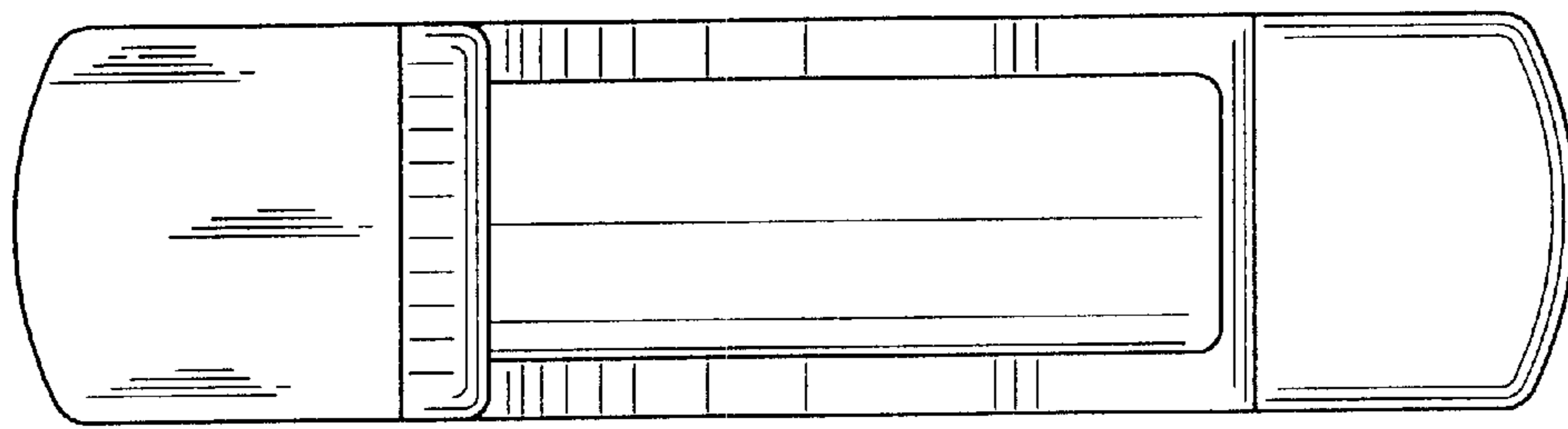


FIG. 2

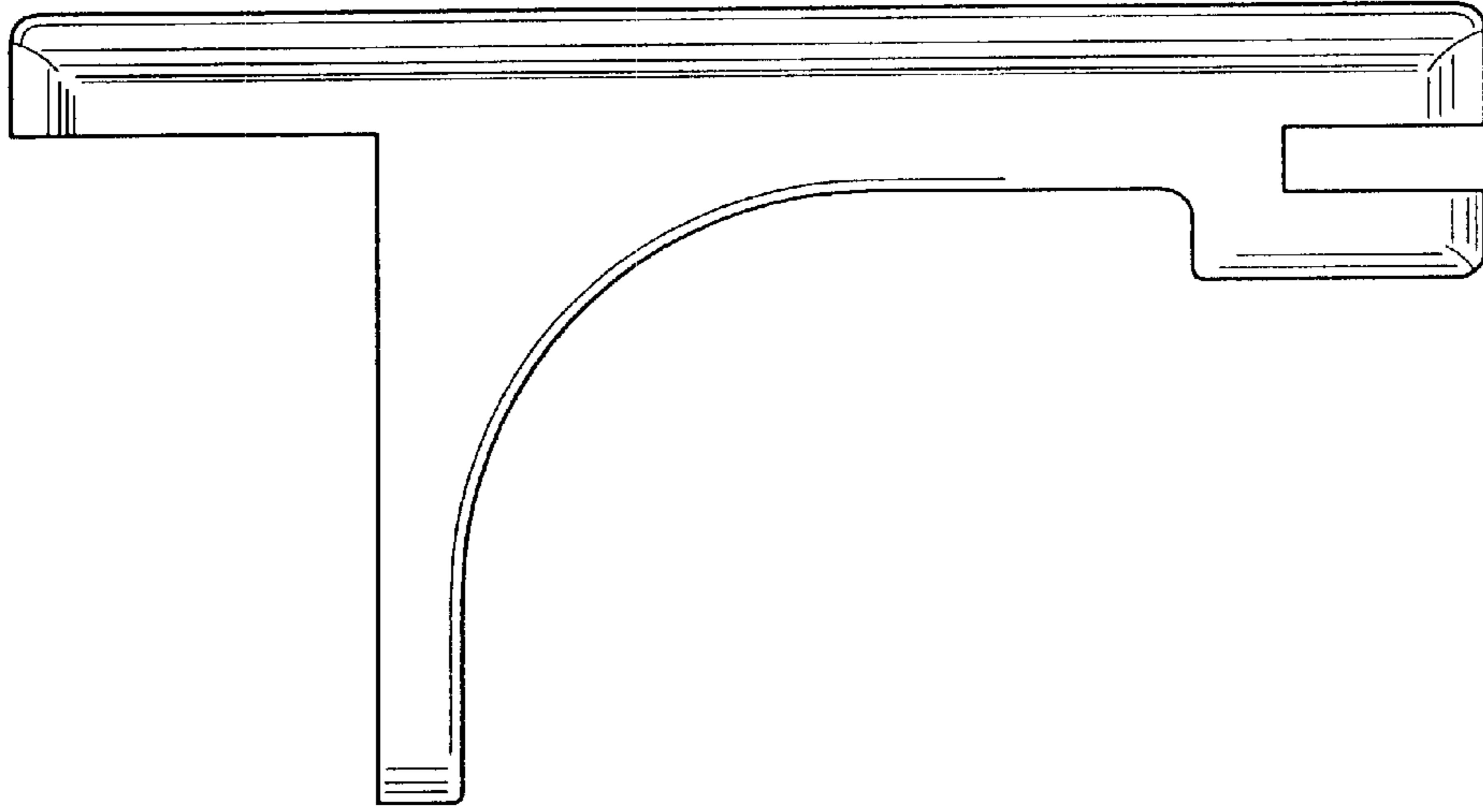


FIG. 5

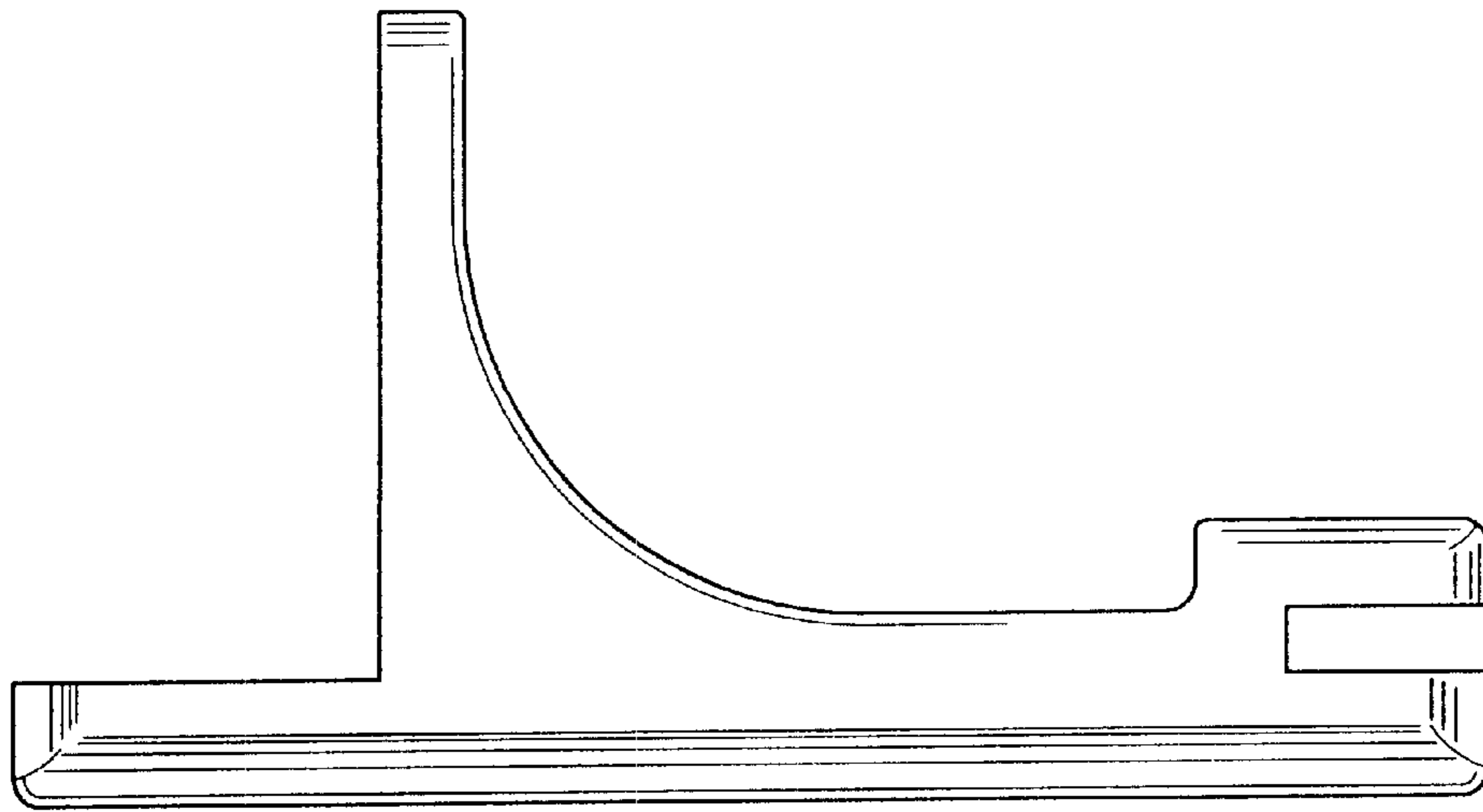


FIG. 4

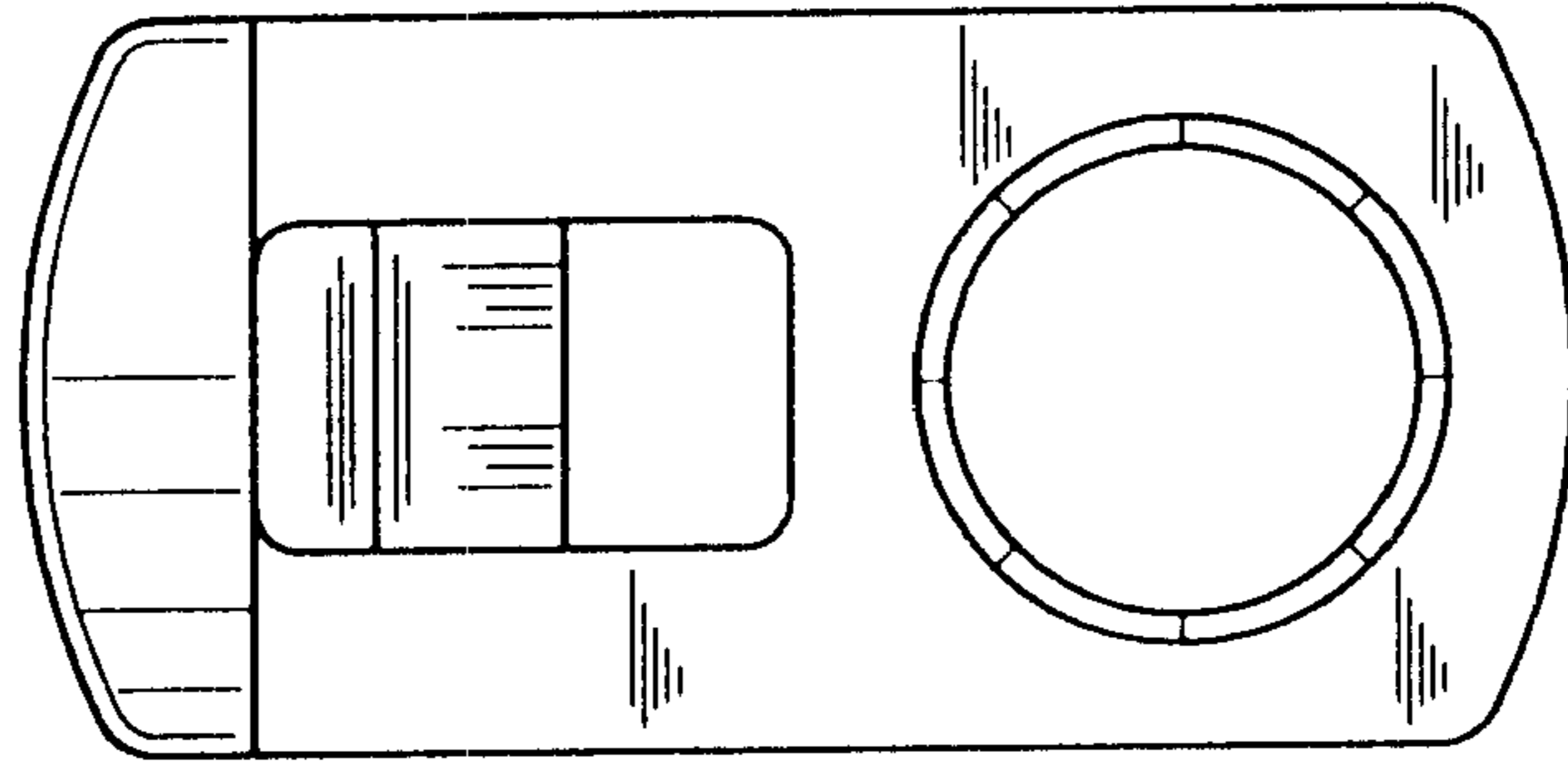


FIG. 6

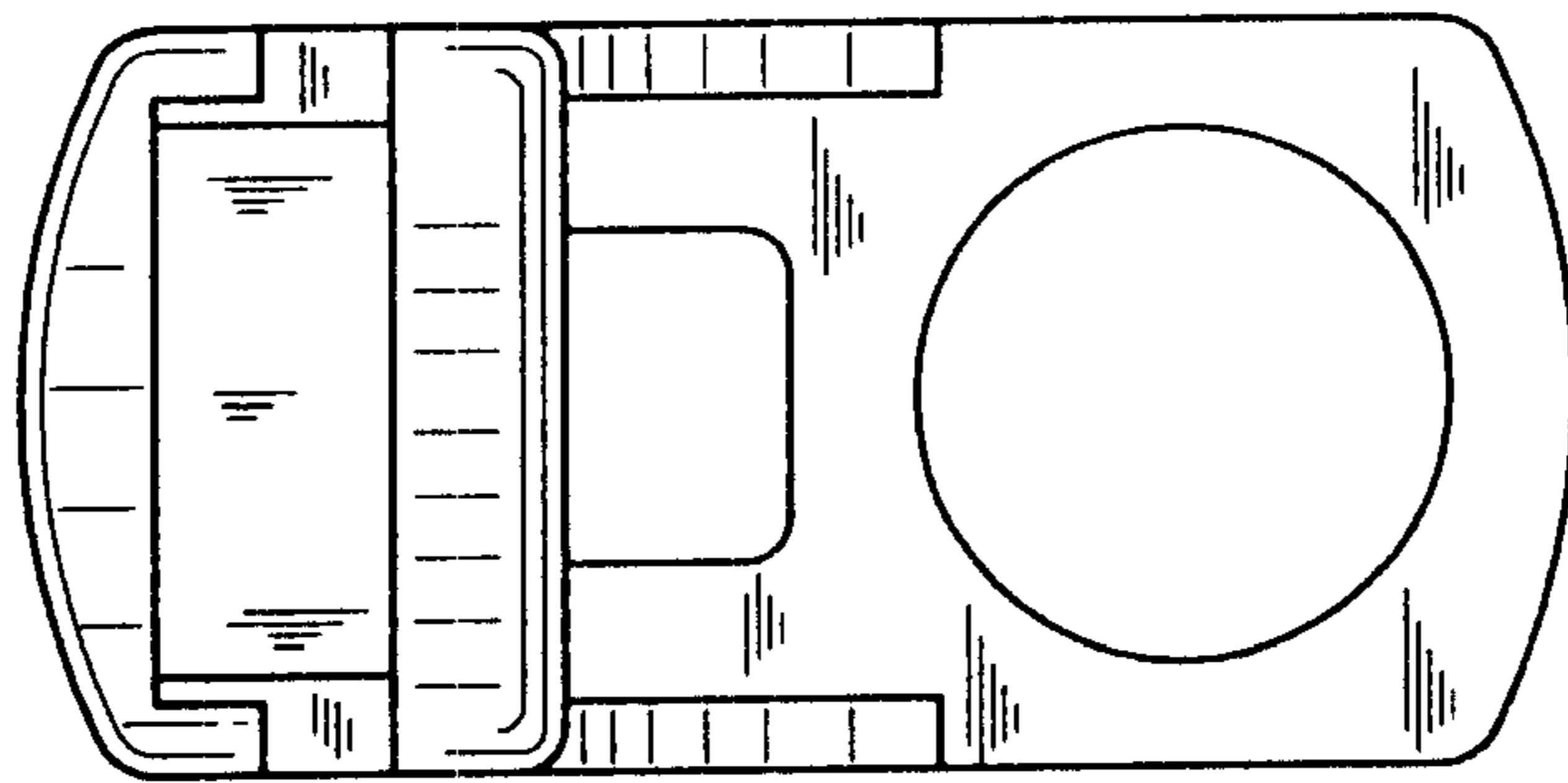


FIG. 7