



US00D482598S

(12) **United States Design Patent**
Brass et al.

(10) **Patent No.:** **US D482,598 S**

(45) **Date of Patent:** **** Nov. 25, 2003**

(54) **COUPLING BRACKET**

D301,685 S * 6/1989 Vories D8/354
D331,181 S * 11/1992 Klaebel D8/73

(76) Inventors: **Robert L. Brass**, 45 Calhoun St.,
Washington, CT (US) 06794; **Steven W. Lewis**, 120 Washington Ave.,
Woodbury, CT (US) 06798

* cited by examiner

Primary Examiner—Doris V. Coles
Assistant Examiner—Elizabeth A. Albert
(74) *Attorney, Agent, or Firm*—Ira S. Dorman

(**) Term: **14 Years**

(57) **CLAIM**

(21) Appl. No.: **29/179,557**

The ornamental design for a coupling bracket, as shown and described.

(22) Filed: **Apr. 10, 2003**

(51) **LOC (7) Cl.** **08-08**

(52) **U.S. Cl.** **D8/354**

(58) **Field of Search** D8/349, 354, 373,
D8/380, 394, 71, 73; 248/200, 201, 205.1,
207, 226.11, 229.15, 229.25, 228.6, 230.6,
231.71, 300, 643, 689, 903

DESCRIPTION

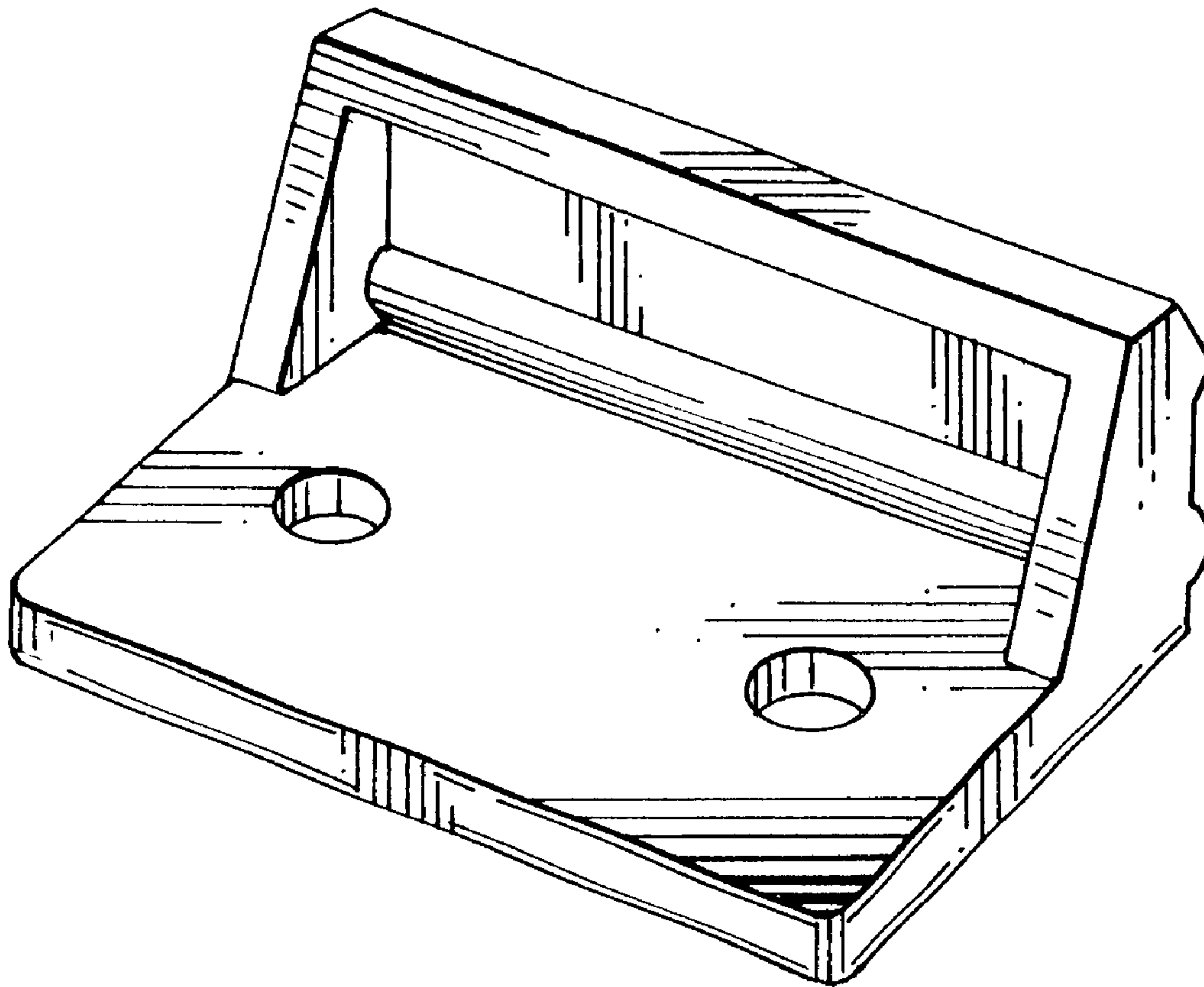
FIG. 1 is a perspective view of the coupling bracket of the invention;
FIG. 2 is a side elevational view of the bracket;
FIG. 3 is an opposite side elevational view of the bracket;
FIG. 4 is an end elevational view of the bracket, the opposite end elevational view being a mirror image thereof;
FIG. 5 is a top plan view of the bracket; and,
FIG. 6 is a bottom view of the bracket.

(56) **References Cited**

U.S. PATENT DOCUMENTS

2,583,283 A * 1/1952 Volz D8/71
D185,897 S * 8/1959 Stark D8/380

1 Claim, 1 Drawing Sheet



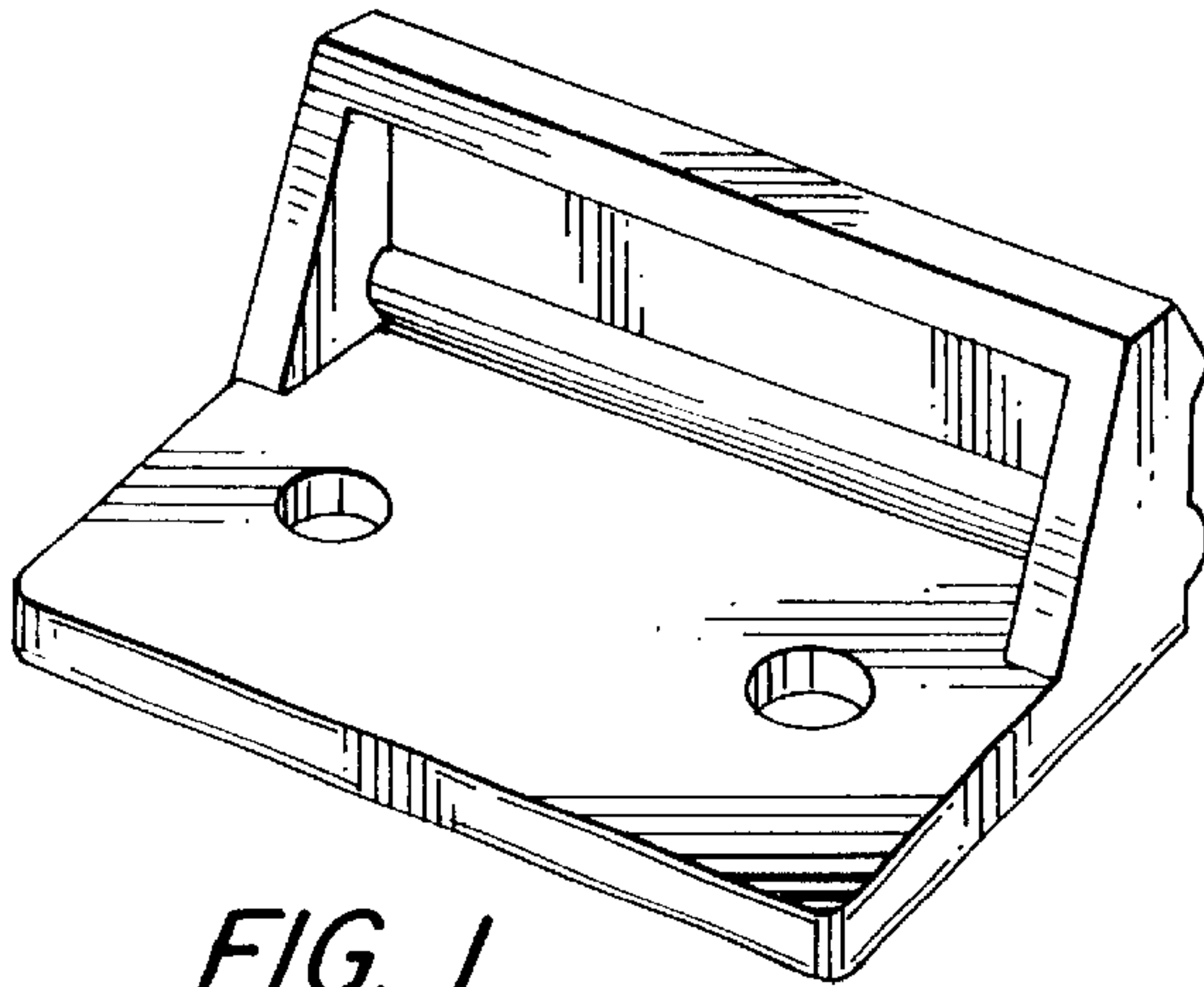


FIG. 1

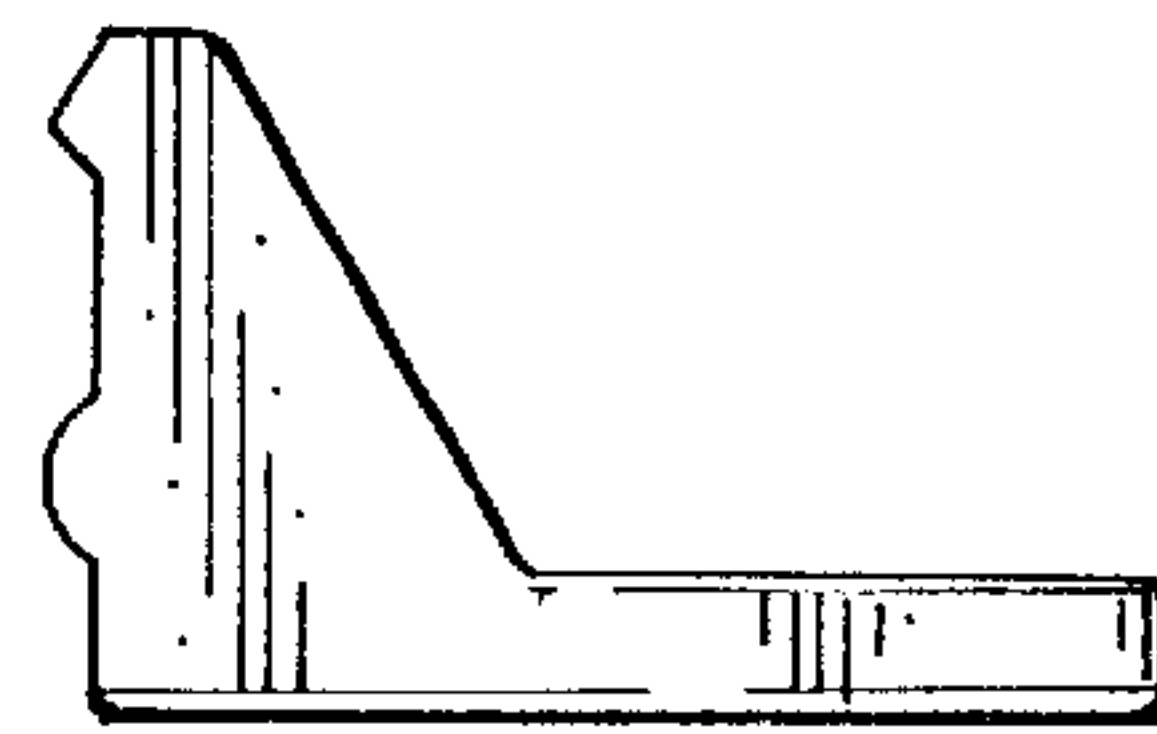


FIG. 4

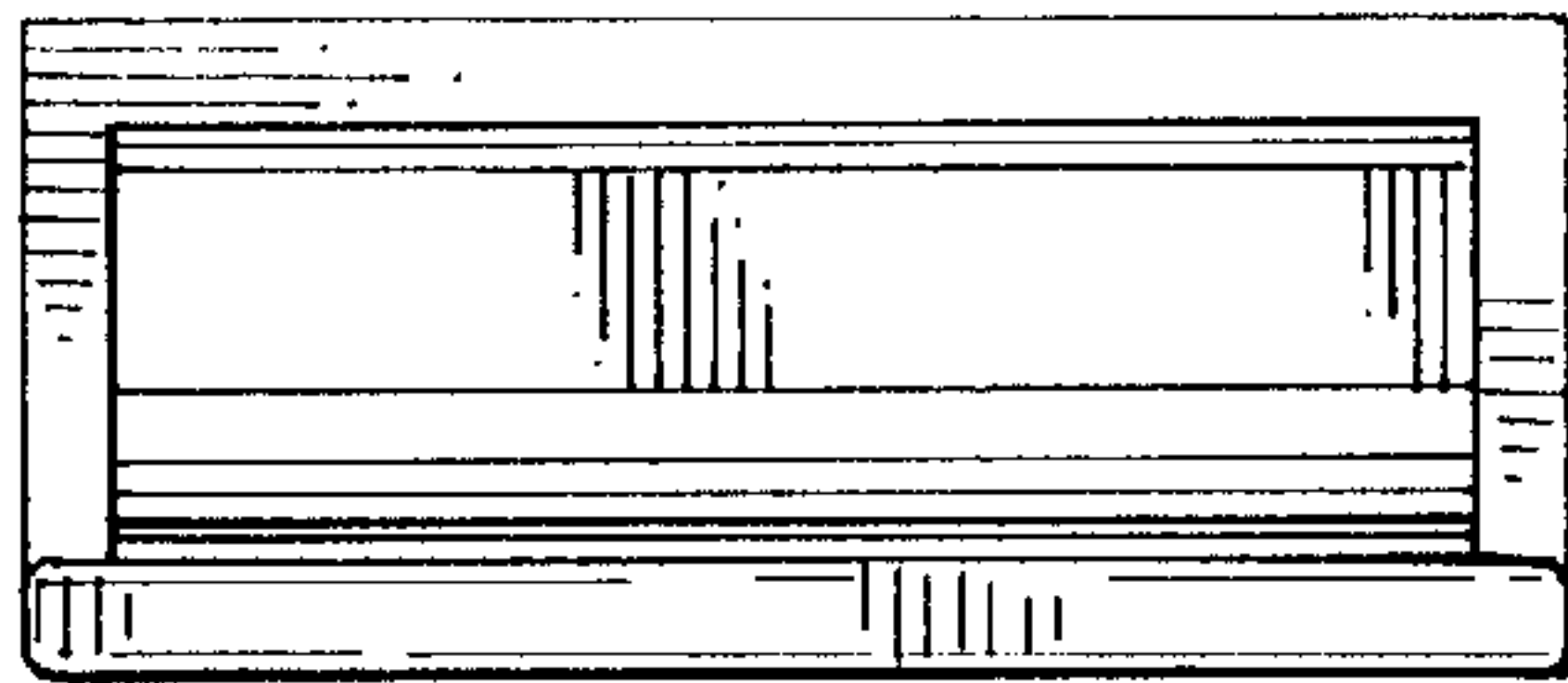


FIG. 2

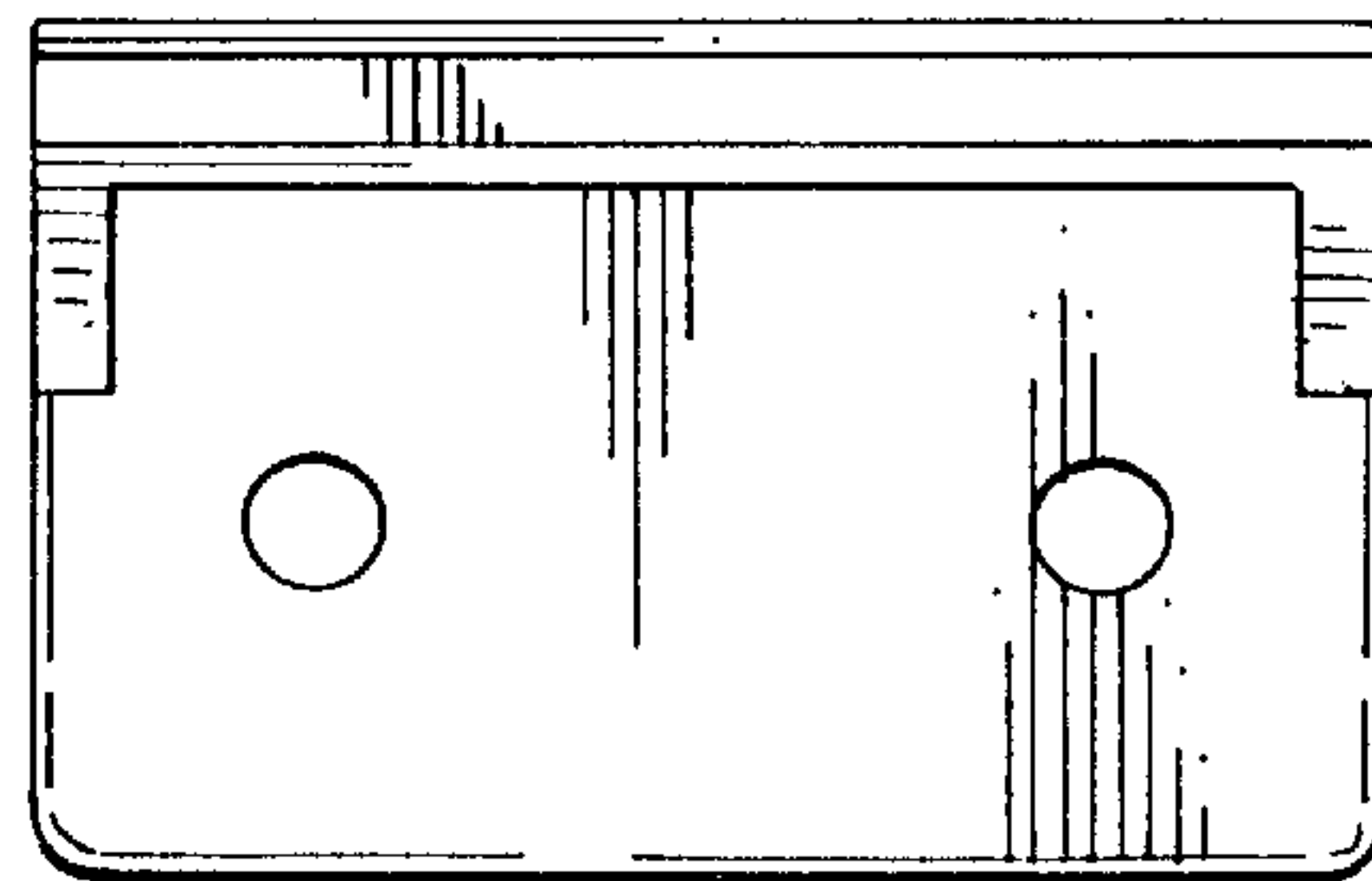


FIG. 5

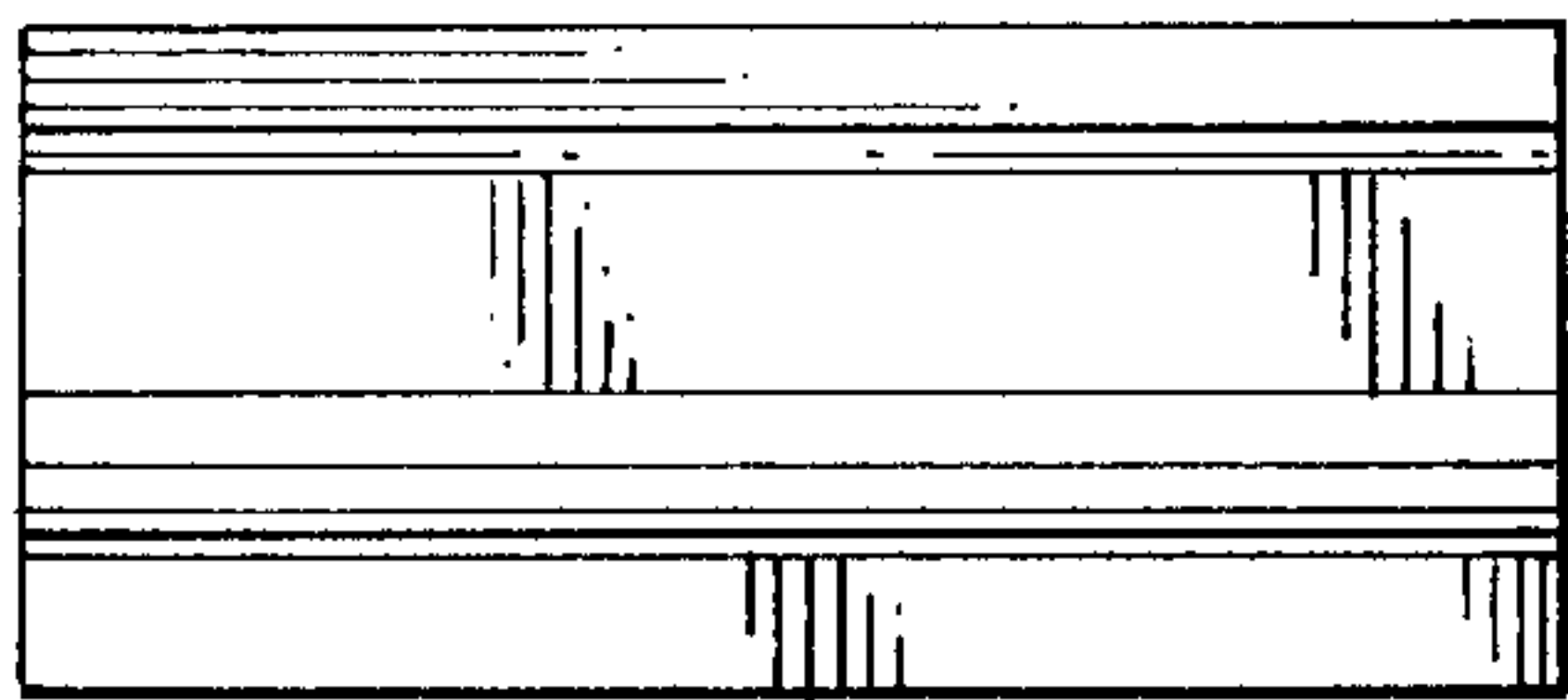


FIG. 3

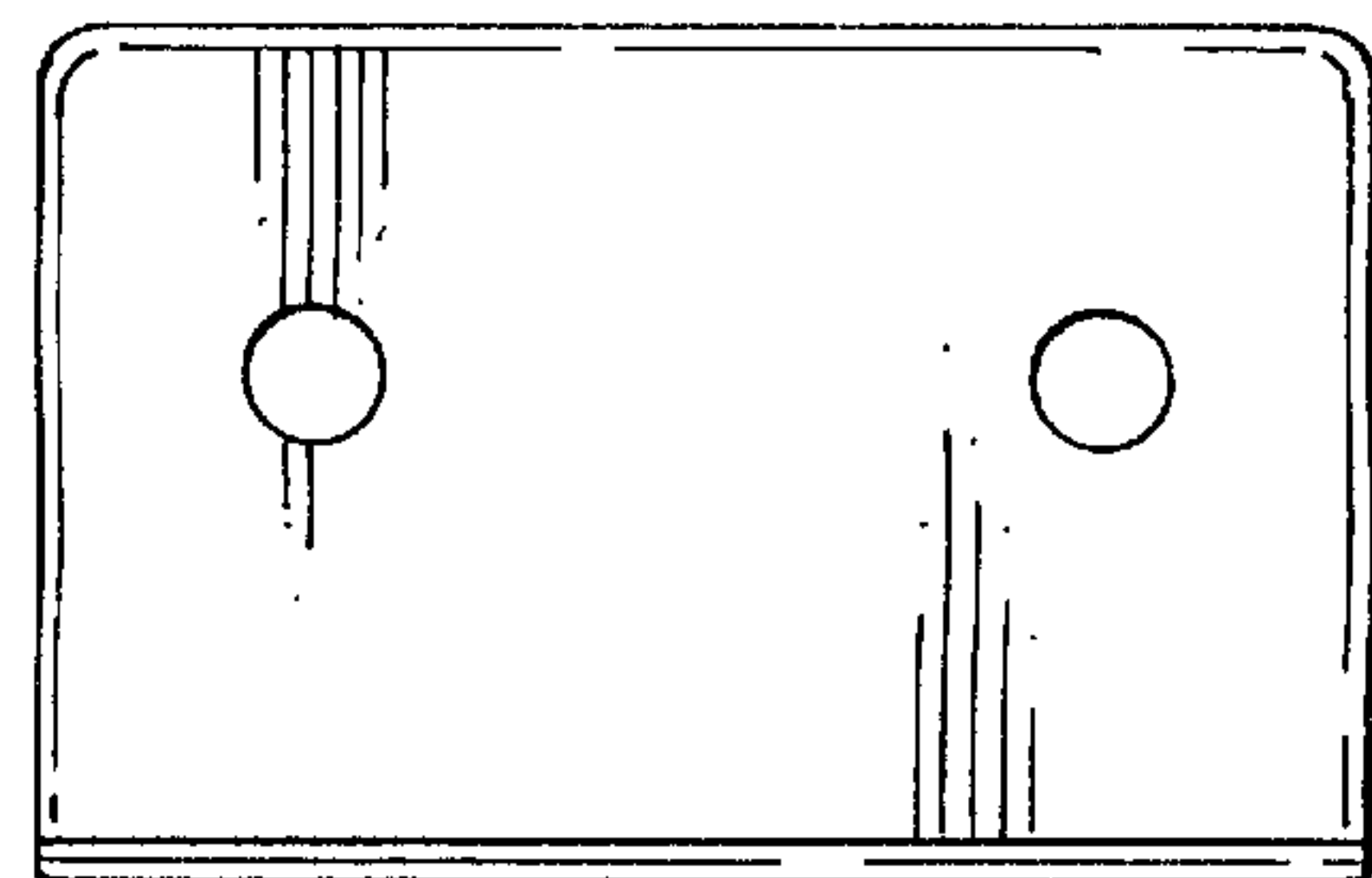


FIG. 6