



US00D482593S

(12) **United States Design Patent**
Wolf

(10) **Patent No.:** **US D482,593 S**

(45) **Date of Patent:** **** Nov. 25, 2003**

(54) **SIDE ACTUATING BOX LATCH**

(75) Inventor: **Simon Wolf**, Malibu, CA (US)

(73) Assignee: **Wolf Designs, Inc.**, Malibu, CA (US)

(**) Term: **14 Years**

(21) Appl. No.: **29/168,666**

(22) Filed: **Oct. 3, 2002**

(51) **LOC (7) Cl.** **08-07**

(52) **U.S. Cl.** **D8/331; D8/342**

(58) **Field of Search** D8/330, 331, 300-302,
D8/321, 339, 341; 70/3, 6, 31, 78, 80, 129,
141, 142; 292/DIG. 14, DIG. 68

(56) **References Cited**

U.S. PATENT DOCUMENTS

D179,723 S	*	2/1957	Gehrie	D8/331
2,912,844 A	*	11/1959	Atkinson	D8/331 X
D193,806 S	*	10/1962	Humphries	D8/331
D194,552 S	*	2/1963	Gehrie	D8/342
3,121,318 A	*	2/1964	Norrenberg-Sudhaus	. D8/331 X	
D199,542 S	*	11/1964	Humphries	D8/331
D210,686 S	*	4/1968	Woolworth	D8/342
D358,978 S	*	6/1995	Gisiger	D8/331
5,702,135 A	*	12/1997	Burruss	292/145

D424,405 S * 5/2000 Achlack et al. D8/331

* cited by examiner

Primary Examiner—Prabhakar Deshmukh

(74) *Attorney, Agent, or Firm*—Cislo & Thomas, LLP

(57) **CLAIM**

The ornamental design for a side actuating box latch, as shown and described herein.

DESCRIPTION

FIG. 1. Is a perspective view of my side actuating box latch, with the dotted line showing being for illustrative purposes only;

FIG. 2. Is a perspective view of my side actuating box latch as shown in FIG. 1 but showing the latch in the open position, the dotted line showing being for illustrative purposes only;

FIG. 3. Is a front view of my side actuating box latch;

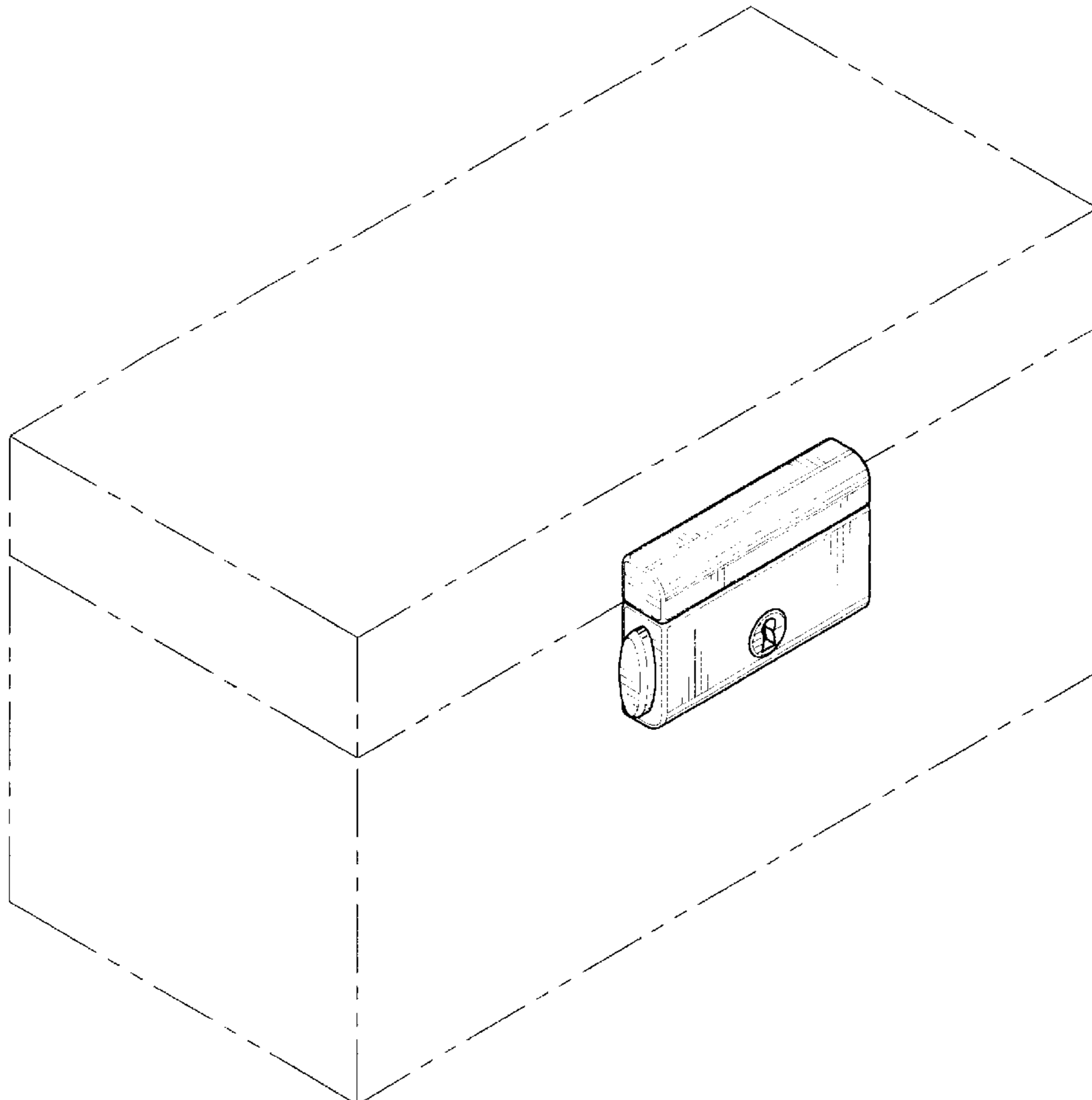
FIG. 4. Is a right side elevational view of my side actuating box latch with the left side elevational view being a substantial mirror image thereof;

FIG. 5. Is a back view thereof; and,

FIG. 6. Is a top view thereof with the bottom view being a substantial mirror image thereof.

The broken lines are for illustrative purpose only and form no part of the claimed design.

1 Claim, 2 Drawing Sheets



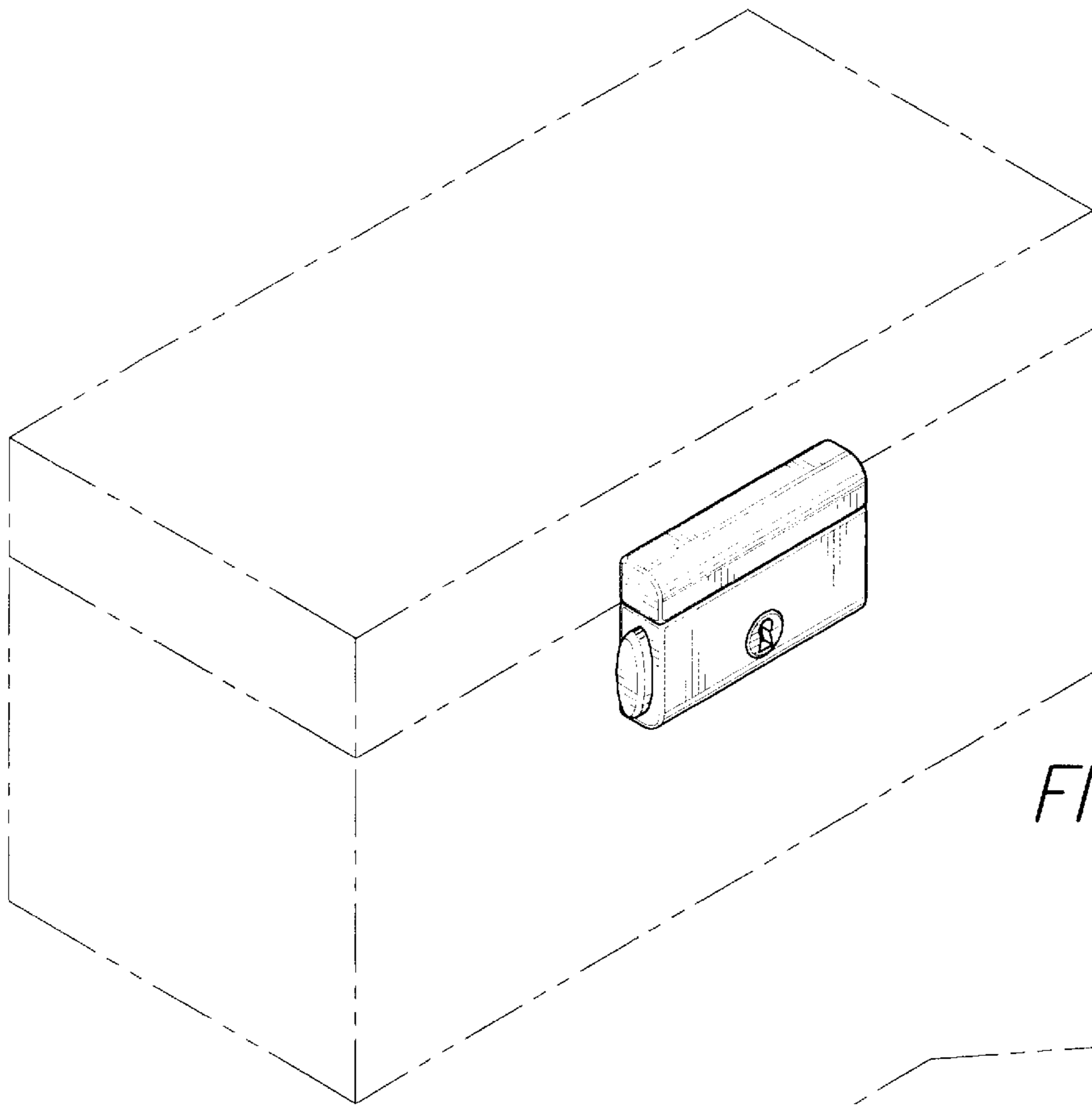


FIG. 1

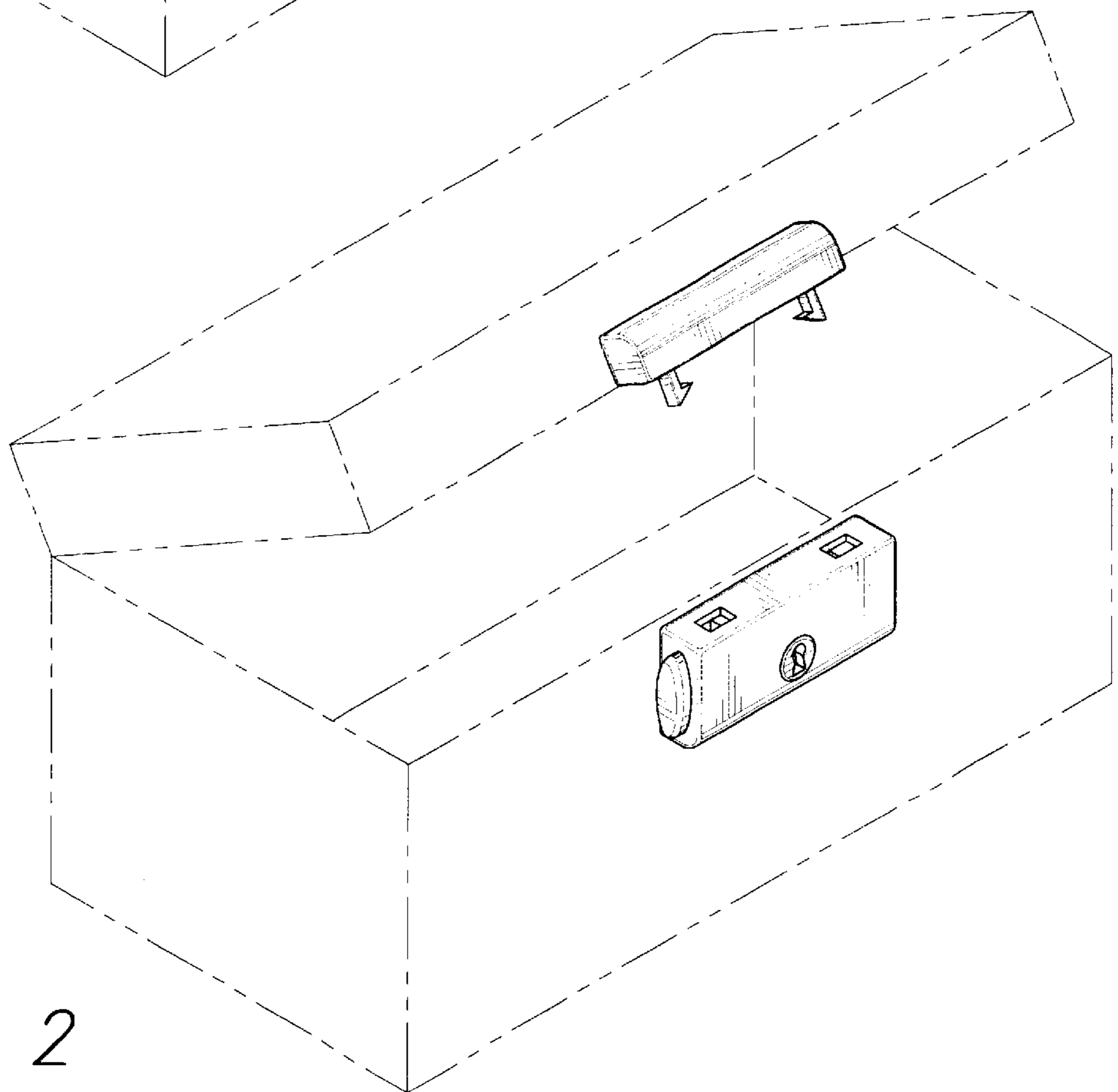


FIG. 2

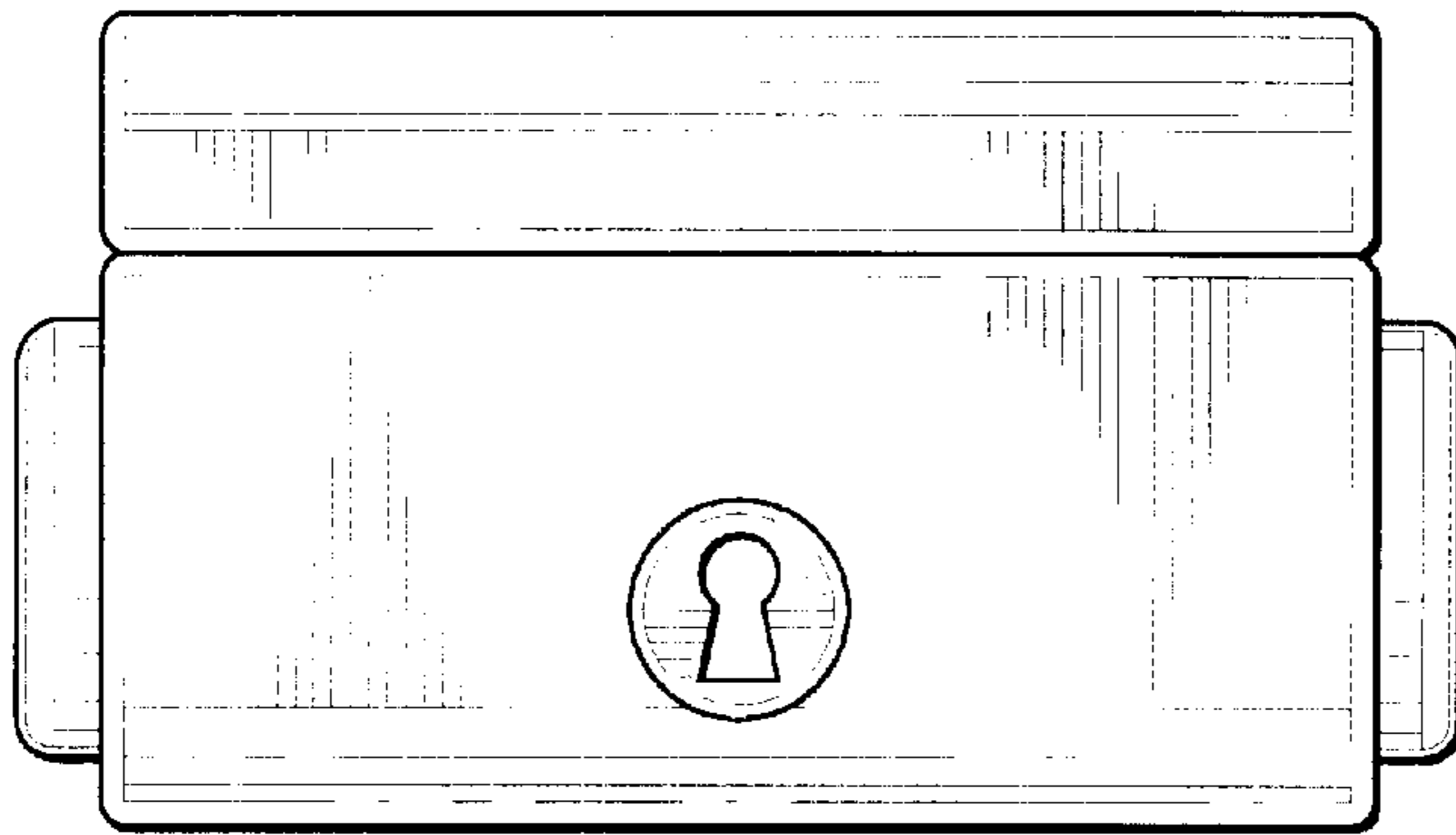


FIG. 3

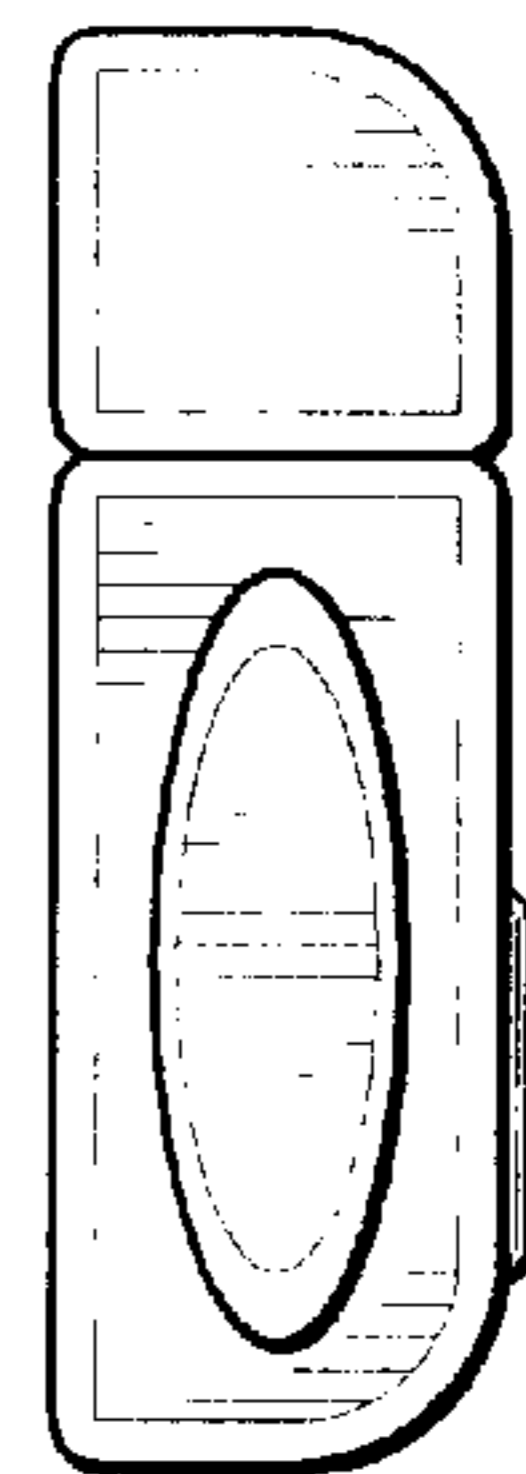


FIG. 4

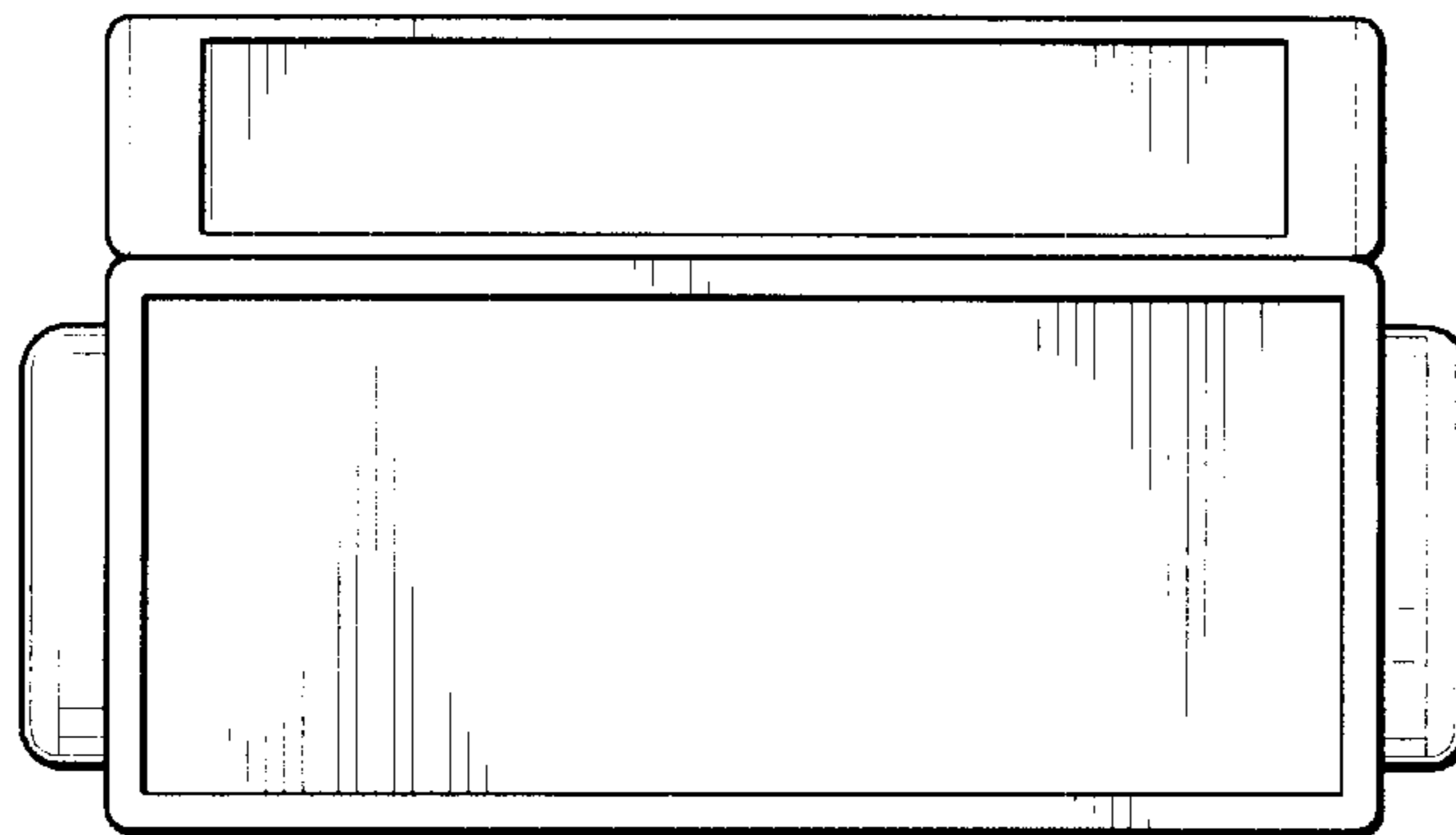


FIG. 5

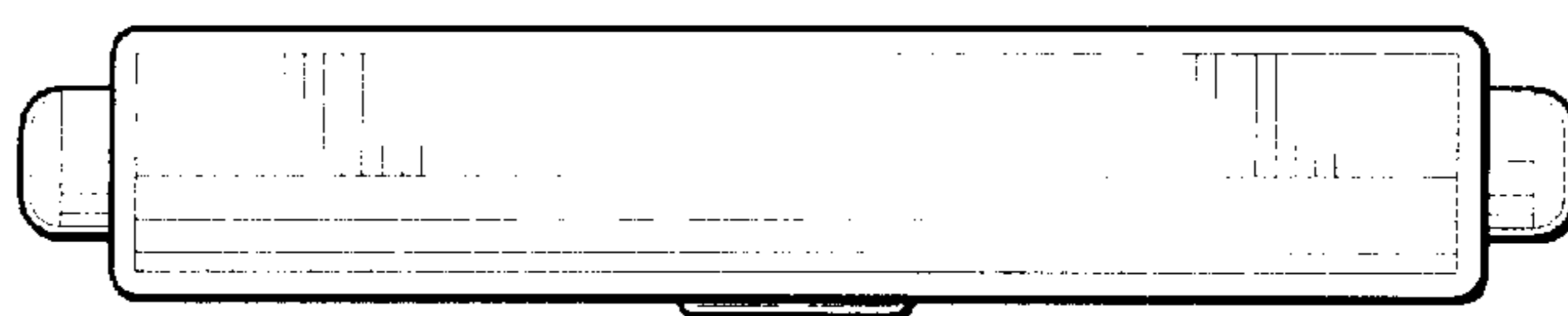


FIG. 6