



US00D482582S

(12) **United States Design Patent**
Chunn et al.

(10) **Patent No.:** **US D482,582 S**

(45) **Date of Patent:** **** Nov. 25, 2003**

(54) **STRING TRIMMER**

(75) **Inventors:** **Daniel Alex Chunn, Hong Kong (CN);
Tsang Lap Hon, Hong Kong (CN);
Tailun Kam Lun Sham, Hong Kong
(CN)**

(73) **Assignee:** **Homelite Technologies, Ltd., Hamilton
(BM)**

(**) **Term:** **14 Years**

(21) **Appl. No.:** **29/176,214**

(22) **Filed:** **Feb. 18, 2003**

(51) **LOC (7) Cl. 08-01**

(52) **U.S. Cl. D8/8**

(58) **Field of Search D8/1, 8, 9; 30/216,
30/228, 276, DIG. 5; 56/12.7; 172/13, 14,
15, 17**

(56) **References Cited**

U.S. PATENT DOCUMENTS

4,200,978 A	*	5/1980	Irelan et al.	30/276
D295,945 S		5/1988	Sakamoto et al.	D8/64
D307,860 S		5/1990	Eillis	D8/8
D317,852 S		7/1991	Fujiwara et al.	D8/8
D336,223 S		6/1993	Miyamoto et al.	D8/8
D338,676 S		8/1993	Tuggle et al.	D15/1

5,265,341 A		11/1993	Kikuchi	30/276
D343,554 S		1/1994	Watanabe et al.	D8/8
5,544,417 A	*	8/1996	Atos et al.	30/276
D379,748 S		6/1997	Reekie et al.	D8/8
D382,450 S	*	8/1997	Meisner et al.	D8/8
D446,699 S		8/2001	Marshall et al.	D8/8
D447,924 S		9/2001	Neitzell et al.	D8/64
D456,675 S	*	5/2002	Jong	D8/8
D457,925 S		5/2002	Grafton	D21/532
D463,231 S		9/2002	Robson	D8/8
D463,722 S		10/2002	Robson	D8/8

* cited by examiner

Primary Examiner—Robin V. Taylor

(74) *Attorney, Agent, or Firm*—Harrington & Smith, LLP

(57) **CLAIM**

We claim the ornamental design for a string trimmer, as shown and described.

DESCRIPTION

FIG. 1 is a right side elevational view of a string trimmer incorporating our new design;

FIG. 2 is a top plan view thereof;

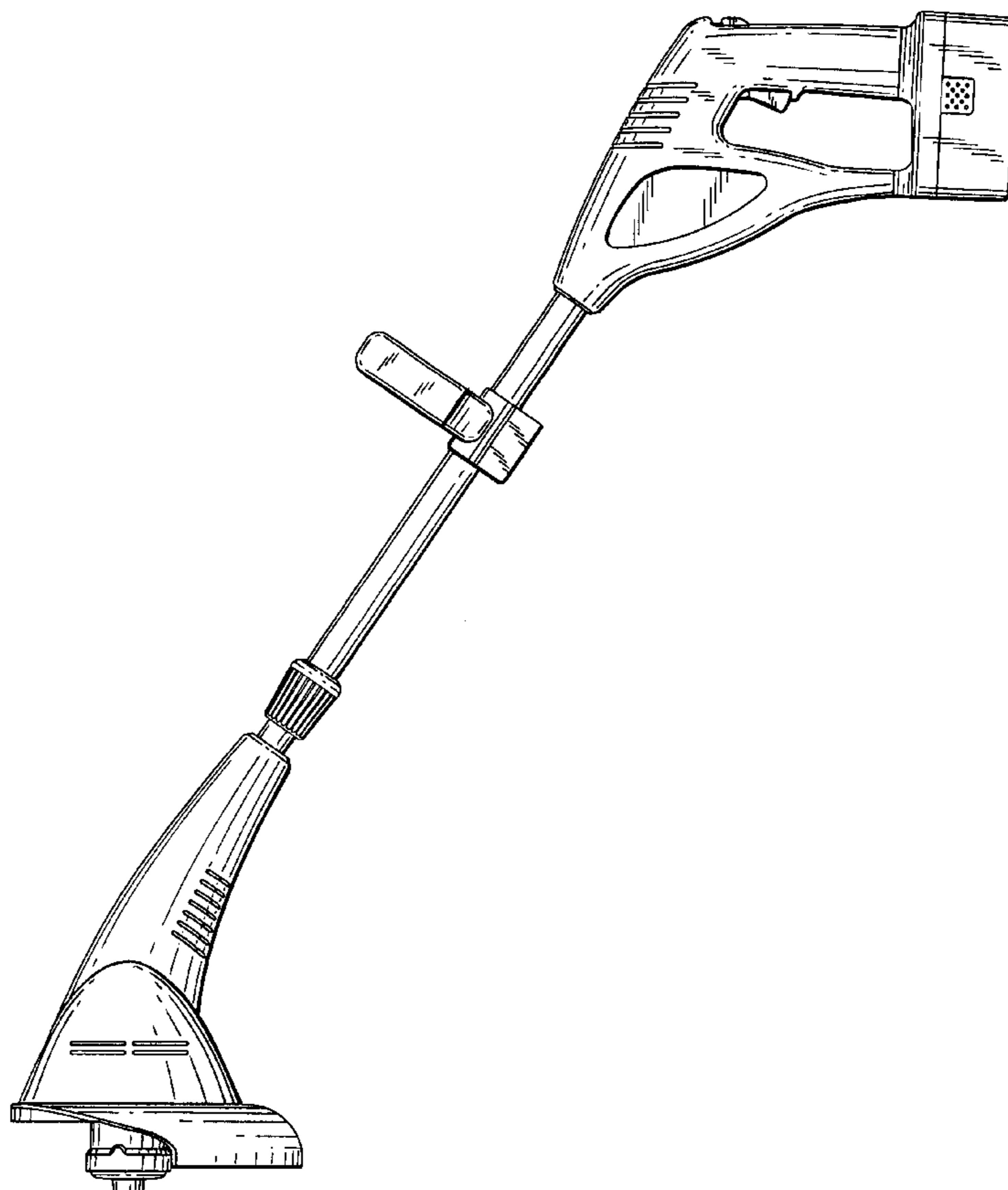
FIG. 3 is a front side elevational view thereof;

FIG. 4 is a rear side elevational view thereof; and

FIG. 5 is a left side elevational view thereof; and,

FIG. 6 is a bottom plan view thereof.

1 Claim, 4 Drawing Sheets



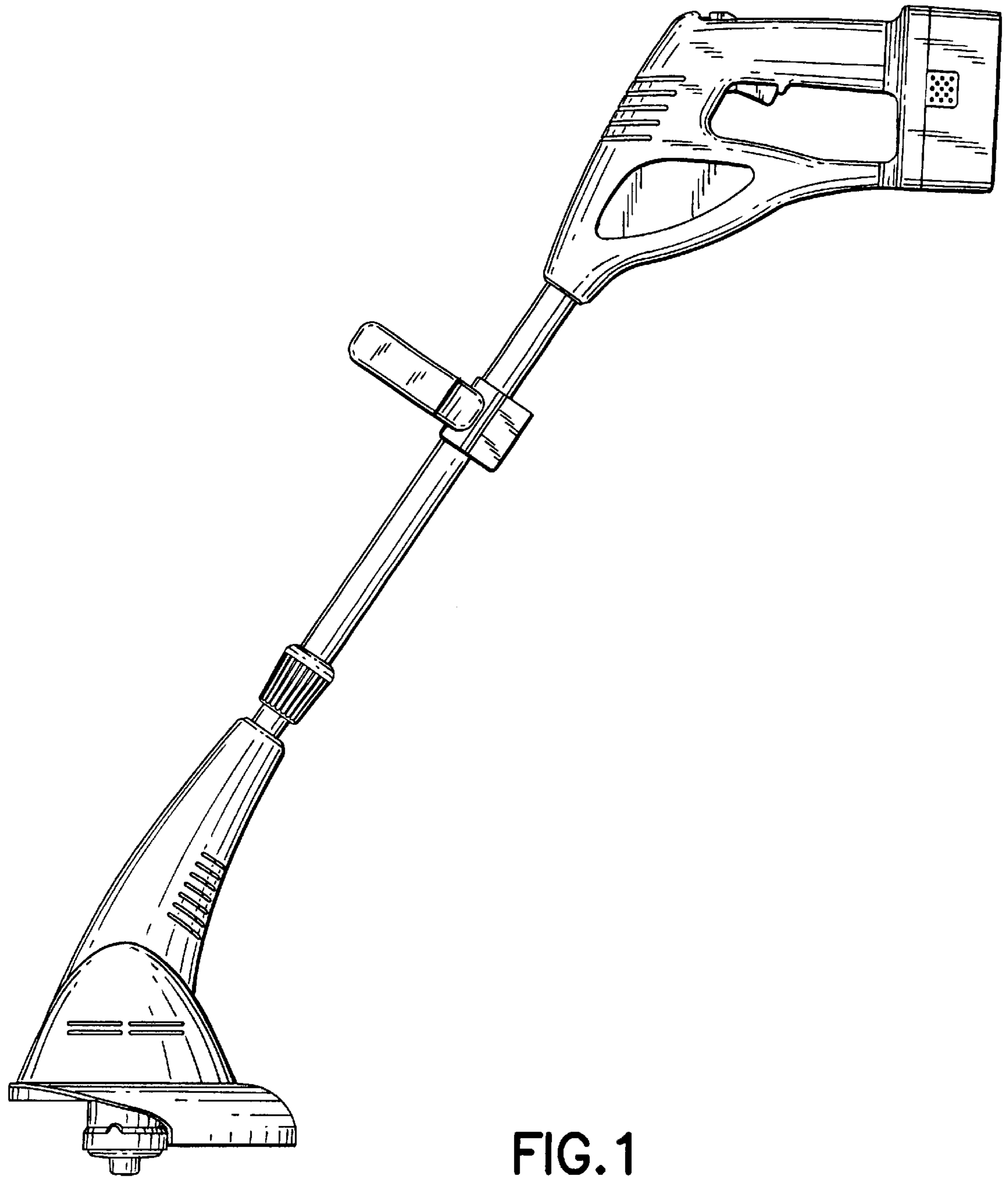
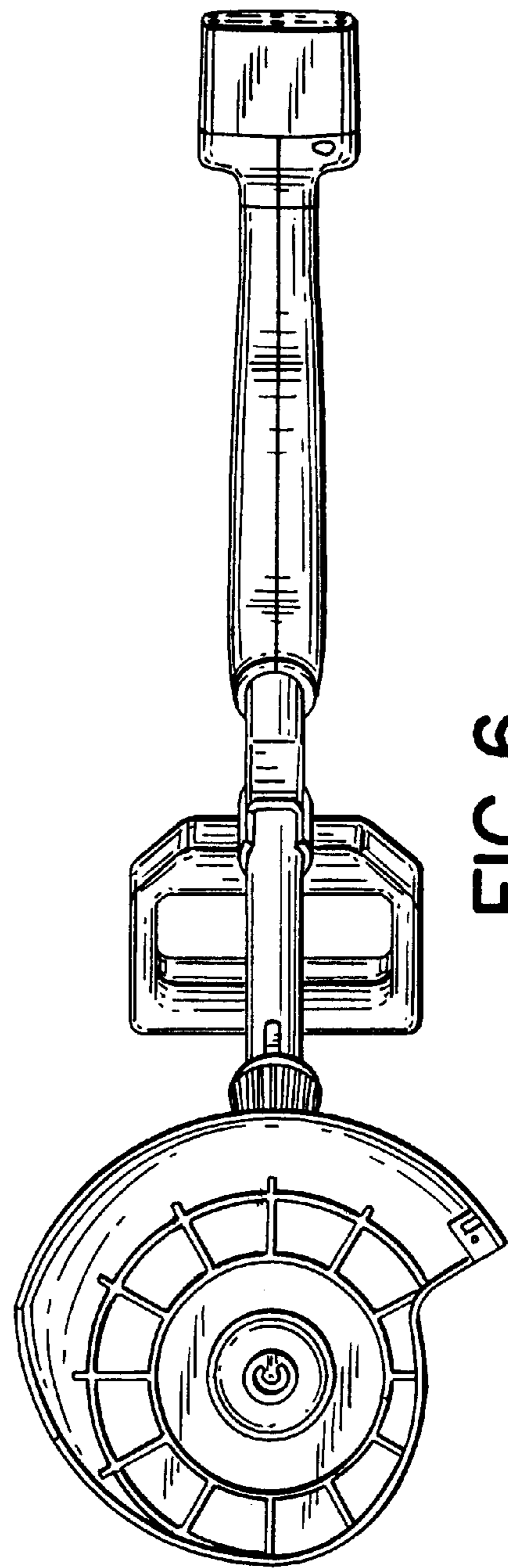
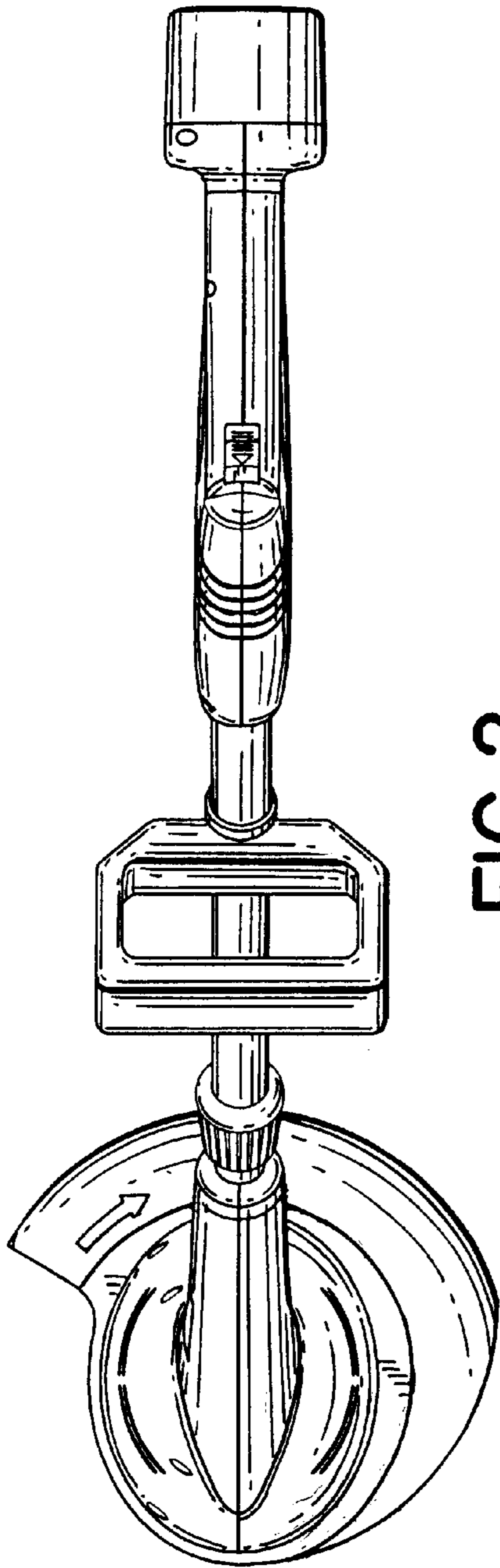


FIG. 1



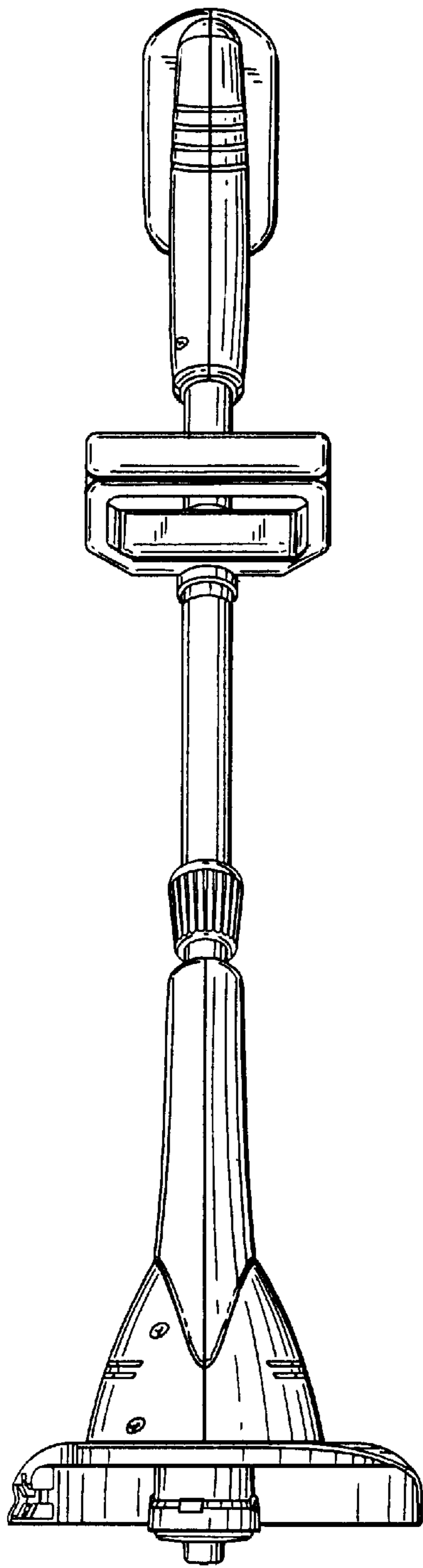


FIG. 3

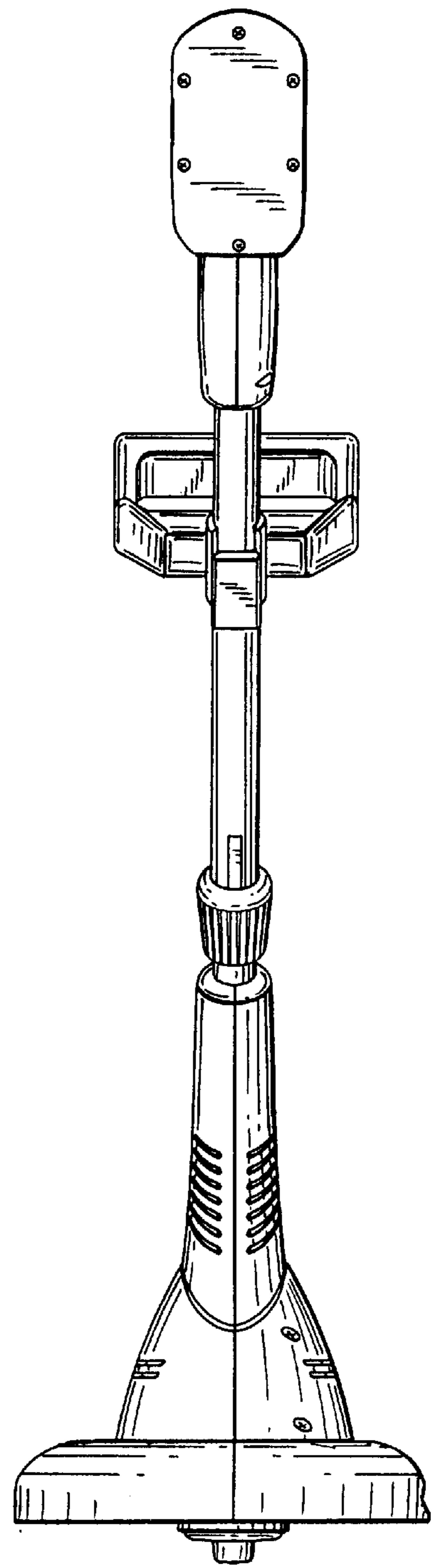


FIG. 4

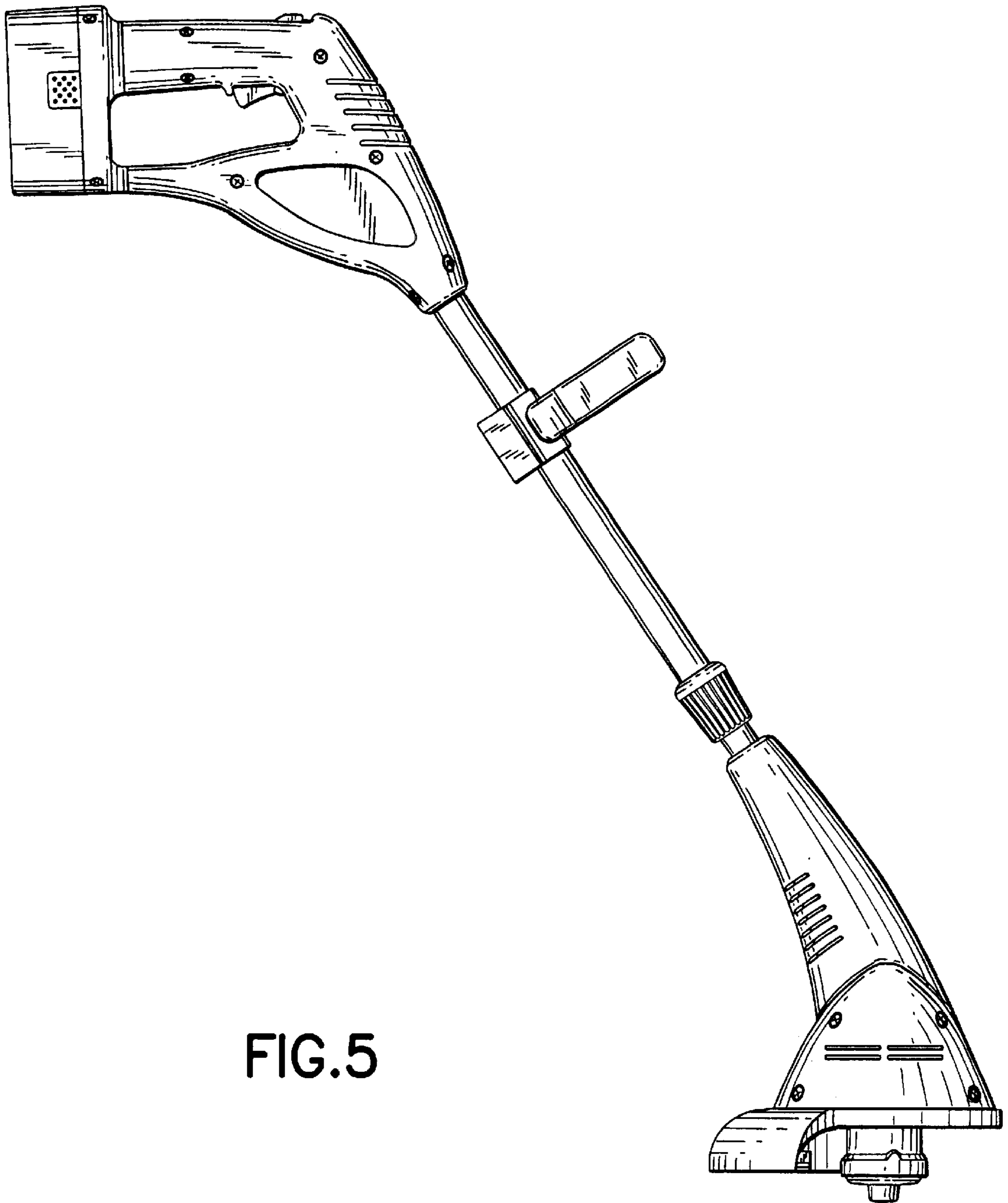


FIG. 5