



US00D482576S

(12) **United States Design Patent**  
**Baylis**

(10) **Patent No.:** **US D482,576 S**

(45) **Date of Patent:** **\*\* Nov. 25, 2003**

(54) **COLLAPSIBLE FOOD COOLER WITH  
SPLIT FLAP-LIKE END CURTAINS AND  
ATTACHED SCISSORS-TYPE SUPPORTING  
STAND**

D339,270 S 9/1993 Homann  
5,373,708 A 12/1994 Dumoulin, Jr.  
D371,056 S 6/1996 Sullivan  
D437,736 S \* 2/2001 Moffett et al. .... D7/605

(76) Inventor: **Wayne C. Baylis**, P.O. Box 263,  
Ferndale, NY (US) 12734

\* cited by examiner

(\*\*) Term: **14 Years**

*Primary Examiner*—Terry A. Wallace

(74) *Attorney, Agent, or Firm*—Donald R. Schoonover

(21) Appl. No.: **29/178,559**

(57) **CLAIM**

(22) Filed: **Mar. 28, 2003**

I claim the ornamental design for a collapsible food cooler with split flap-like end curtains and attached scissors-type supporting stand, as shown and described.

(51) **LOC (7) Cl.** ..... **07-01**

**DESCRIPTION**

(52) **U.S. Cl.** ..... **D7/605**

(58) **Field of Search** ..... D7/605–608; D6/397,  
D6/429; 62/457.1–457.7, 371, 372, 258,  
331; 206/541, 545; 220/592.2, 592.03,  
592.24, 592.25, 259, 915.1, 915.2; 312/241,  
244

FIG. 1 is a perspective view of a collapsible food cooler with split flap-like end curtains and attached scissors-type supporting stand showing my new design;

FIG. 2 is a top plan view thereof;

FIG. 3 is an end elevational view thereof, the elevational view of the opposing end being identical thereto;

FIG. 4 is a bottom plan view thereof;

FIG. 5 is a side elevational view thereof, the elevational view of the opposing side being identical thereto; and,

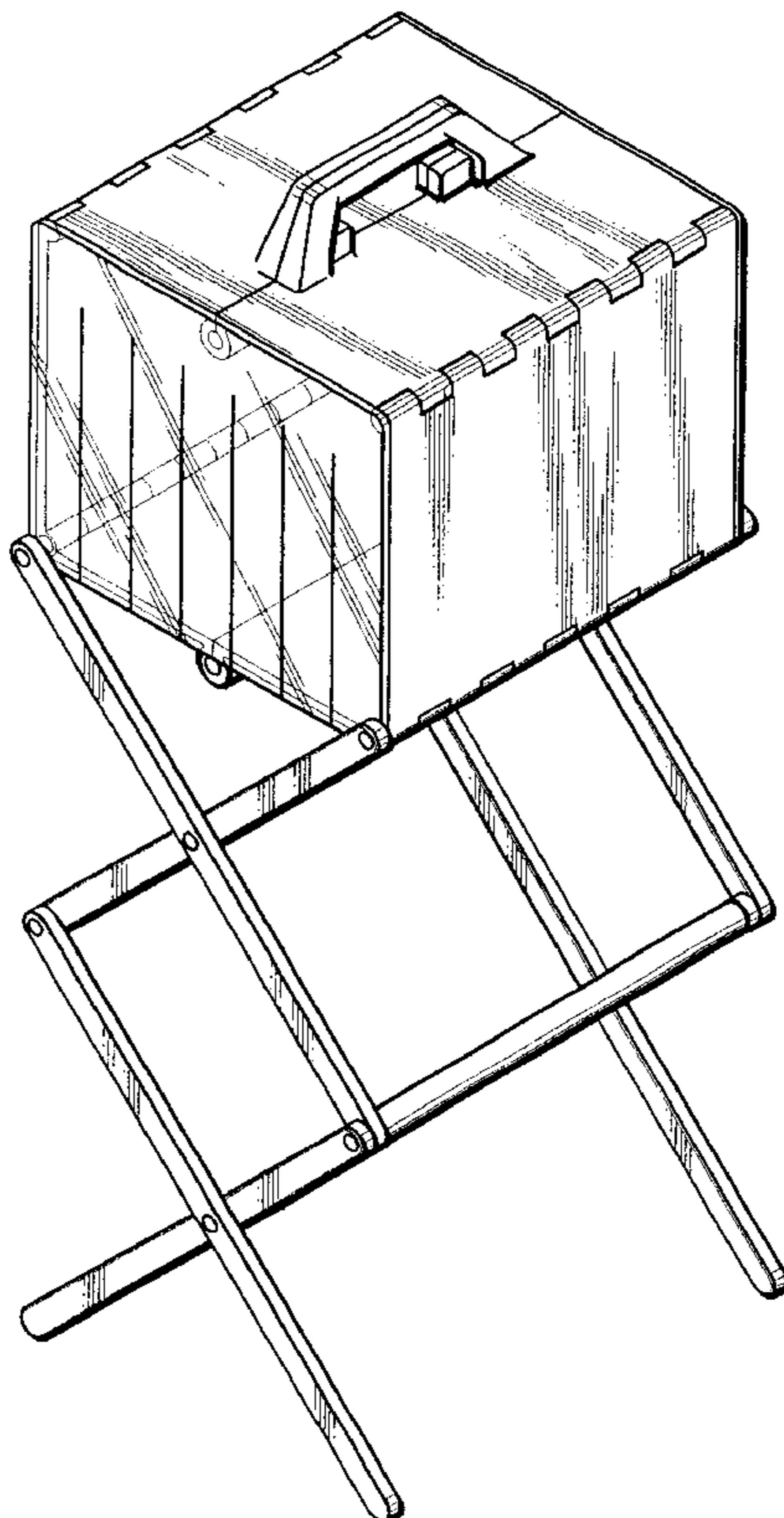
FIG. 6 is a perspective view showing the collapsible food cooler with split flap-like end curtains and attached scissors-type supporting stand in use; the broken lines depict environmental structure for illustrative purposes only and form no part of the claimed design.

(56) **References Cited**

**U.S. PATENT DOCUMENTS**

2,663,391 A \* 12/1953 Kuhns ..... 312/244  
D266,218 S \* 9/1982 Hodson ..... D6/429  
4,581,902 A \* 4/1986 Starck et al. .... 62/258  
D292,711 S \* 11/1987 Shapiro et al. .... D7/605  
4,813,243 A 3/1989 Woods et al.  
D304,650 S \* 11/1989 Price ..... D6/429  
4,946,032 A 8/1990 Stoddard et al.  
4,995,238 A 2/1991 King

**1 Claim, 4 Drawing Sheets**



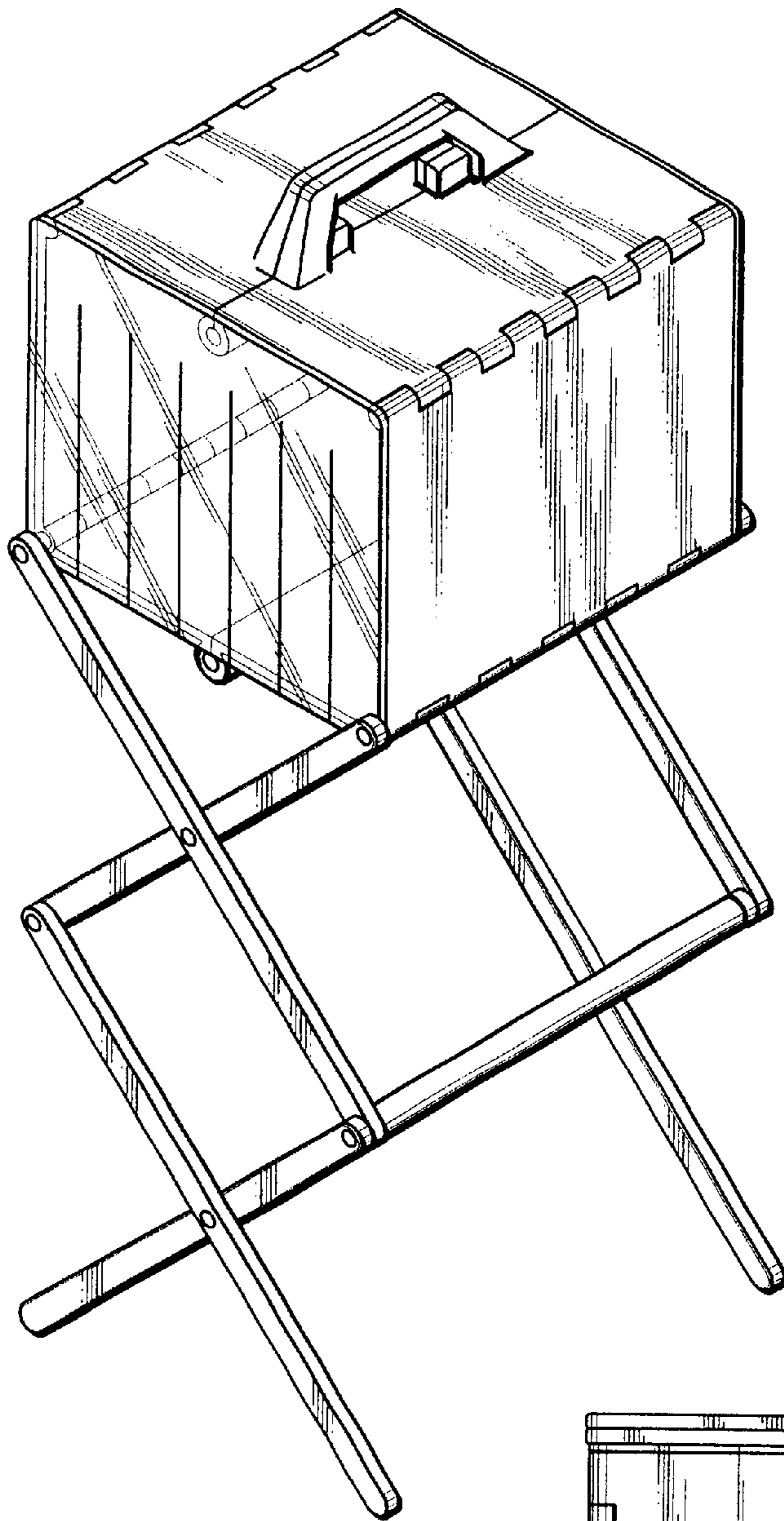


FIG. 1

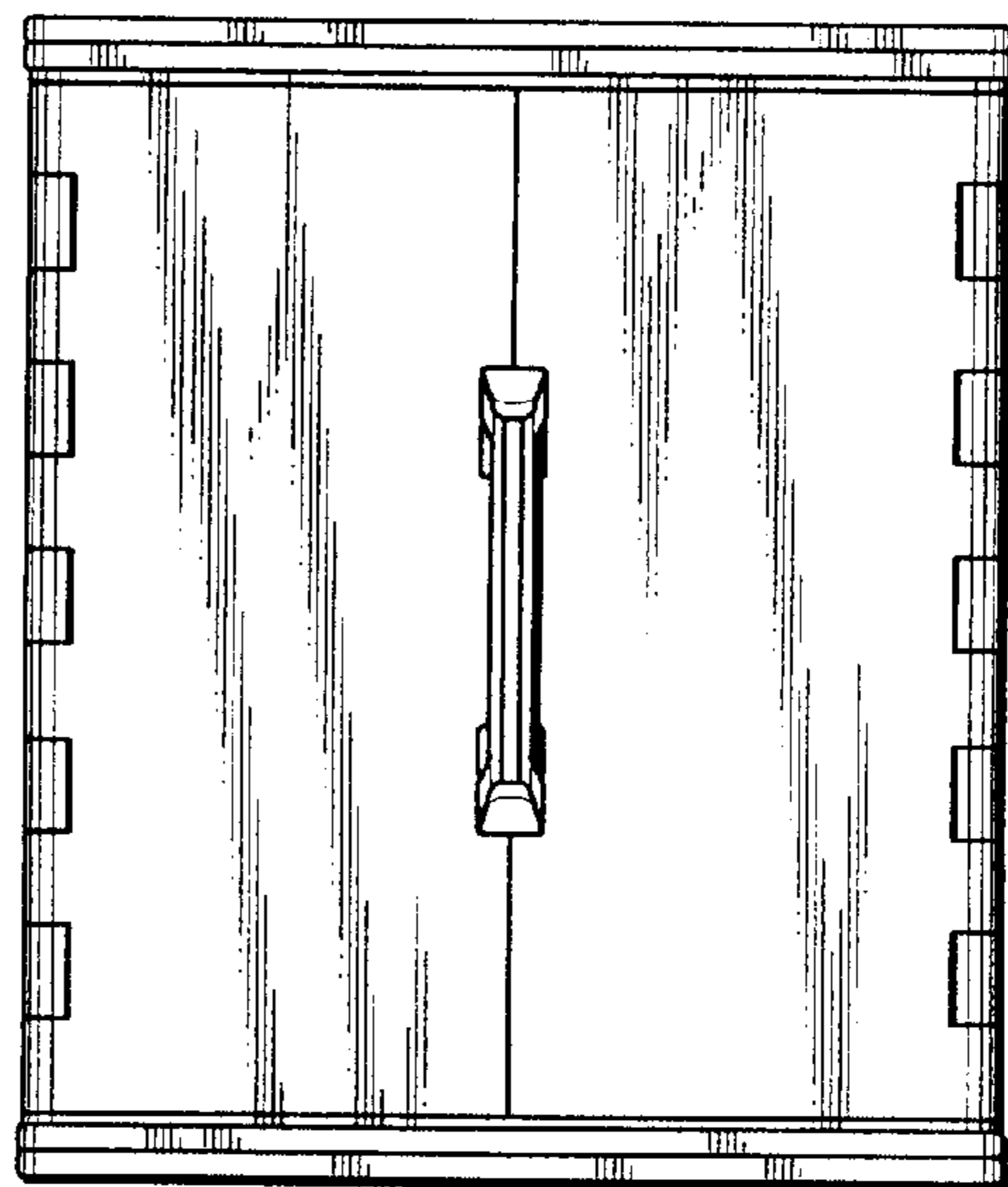


FIG. 2

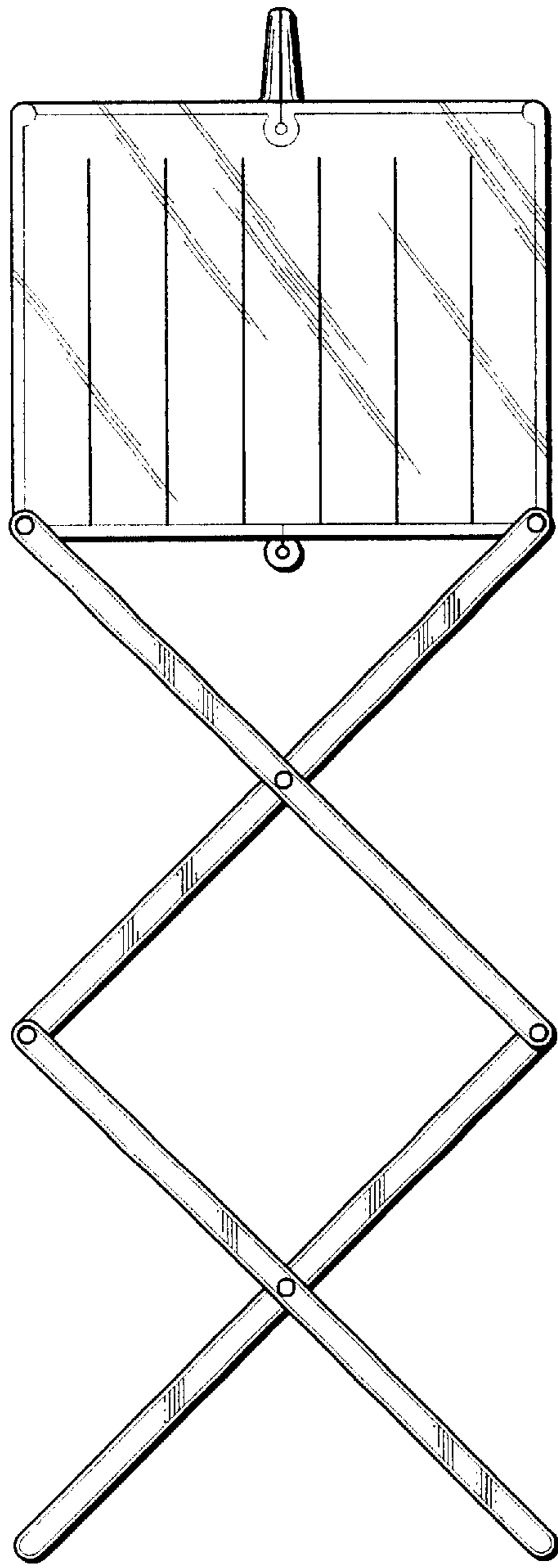


FIG. 3

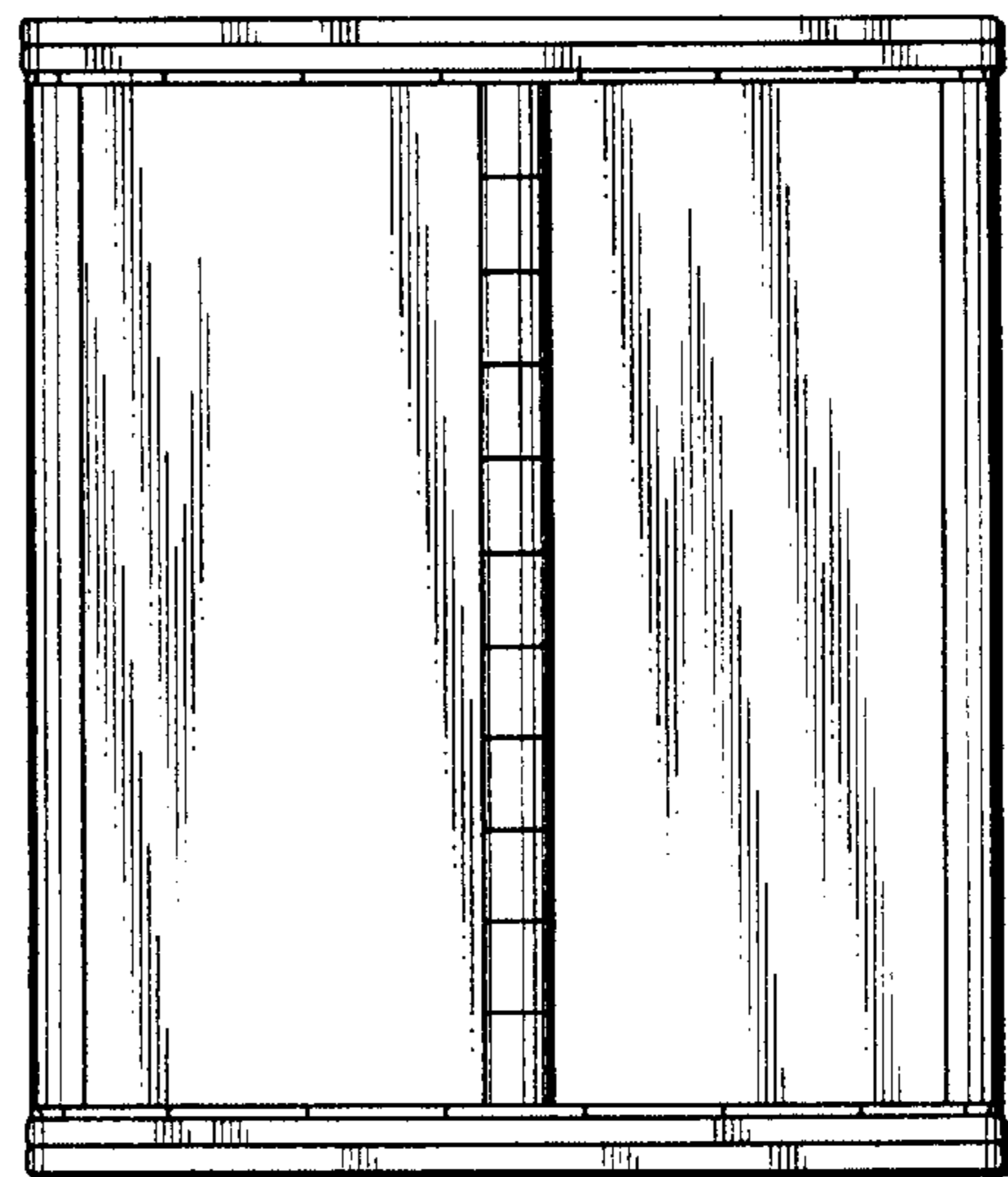


FIG. 4

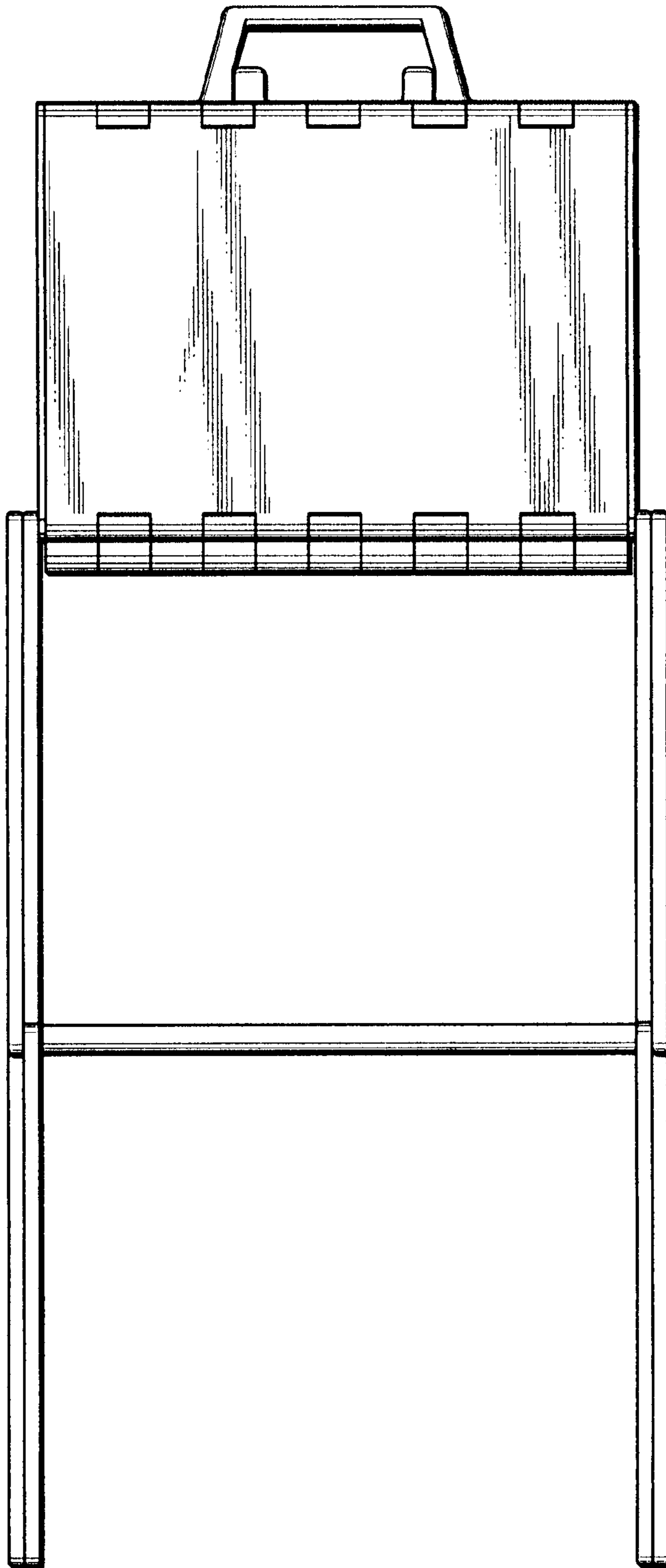


FIG. 5



