



US00D482573S

(12) **United States Design Patent**  
**Miller**

(10) **Patent No.:** **US D482,573 S**

(45) **Date of Patent:** **\*\* Nov. 25, 2003**

- (54) **DISH WITH VENTED LID**
- (75) Inventor: **D. Scott Miller**, Orlando, FL (US)
- (73) Assignee: **Dart Industries, Inc.**, Orlando, FL (US)
- (\*\*) Term: **14 Years**
- (21) Appl. No.: **29/147,387**
- (22) Filed: **Aug. 28, 2001**
- (51) **LOC (7) Cl.** ..... **07-01**
- (52) **U.S. Cl.** ..... **D7/542; D7/538; D7/543; D7/545**
- (58) **Field of Search** ..... D7/538, 539, 540, D7/543, 312.1, 545, 542, 354, 541, 601, 602, 629, 360; 220/260, 263, 793, 737, 915.1, 369, 571, 771; D9/424-432

D296,640 S	*	7/1988	Miller	.....	D7/545
4,809,868 A	*	3/1989	Pomroy	.....	220/260
4,847,459 A		7/1989	Desai		
4,883,195 A		11/1989	Ott et al.		
D321,302 S		11/1991	Zimmerman		
D321,456 S		11/1991	Wolf		
D322,013 S		12/1991	Daenen		
D326,797 S	*	6/1992	Pomroy et al.	.....	D7/538
D333,754 S	*	3/1993	Conti	.....	D7/392.1
D343,338 S	*	1/1994	Bucher et al.	.....	D7/543
D350,880 S	*	9/1994	VanValkenburg et al.	....	D7/629
D352,423 S	*	11/1994	Laib	.....	D7/538
D370,598 S	*	6/1996	Koch	.....	D7/543
D372,840 S	*	8/1996	Cousins	.....	D7/541
D416,754 S		11/1999	Laib	.....	D7/392.1
D417,367 S		12/1999	Laib	.....	D7/602
D417,584 S		12/1999	Lillelund et al.	.....	D7/392.1

\* cited by examiner

*Primary Examiner*—M. N. Pandozzi  
(74) *Attorney, Agent, or Firm*—Taylor J. Ross

(56) **References Cited**  
U.S. PATENT DOCUMENTS

D131,965 S	*	4/1942	Poglein	.....	D7/540
D133,532 S	*	8/1942	Karstadt	.....	D7/542
3,941,967 A		3/1976	Sumi et al.		
D244,742 S	*	6/1977	Daenen	.....	D7/538
D248,357 S		7/1978	Daenen		
D275,636 S		9/1984	Picozza		
D280,058 S	*	8/1985	Carlson	.....	D7/629
D281,480 S		11/1985	McClelland		
D281,754 S	*	12/1985	Trombly	.....	D7/540
D284,060 S	*	6/1986	Adams	.....	D7/538
D287,207 S		12/1986	Daenen et al.		
D287,208 S		12/1986	Daenen et al.		
D288,649 S		3/1987	Daenen et al.		
D289,719 S		5/1987	Daenen et al.		
D289,844 S		5/1987	Daenen et al.		
D291,398 S		8/1987	Schmidt		
D291,522 S		8/1987	Daenen et al.		

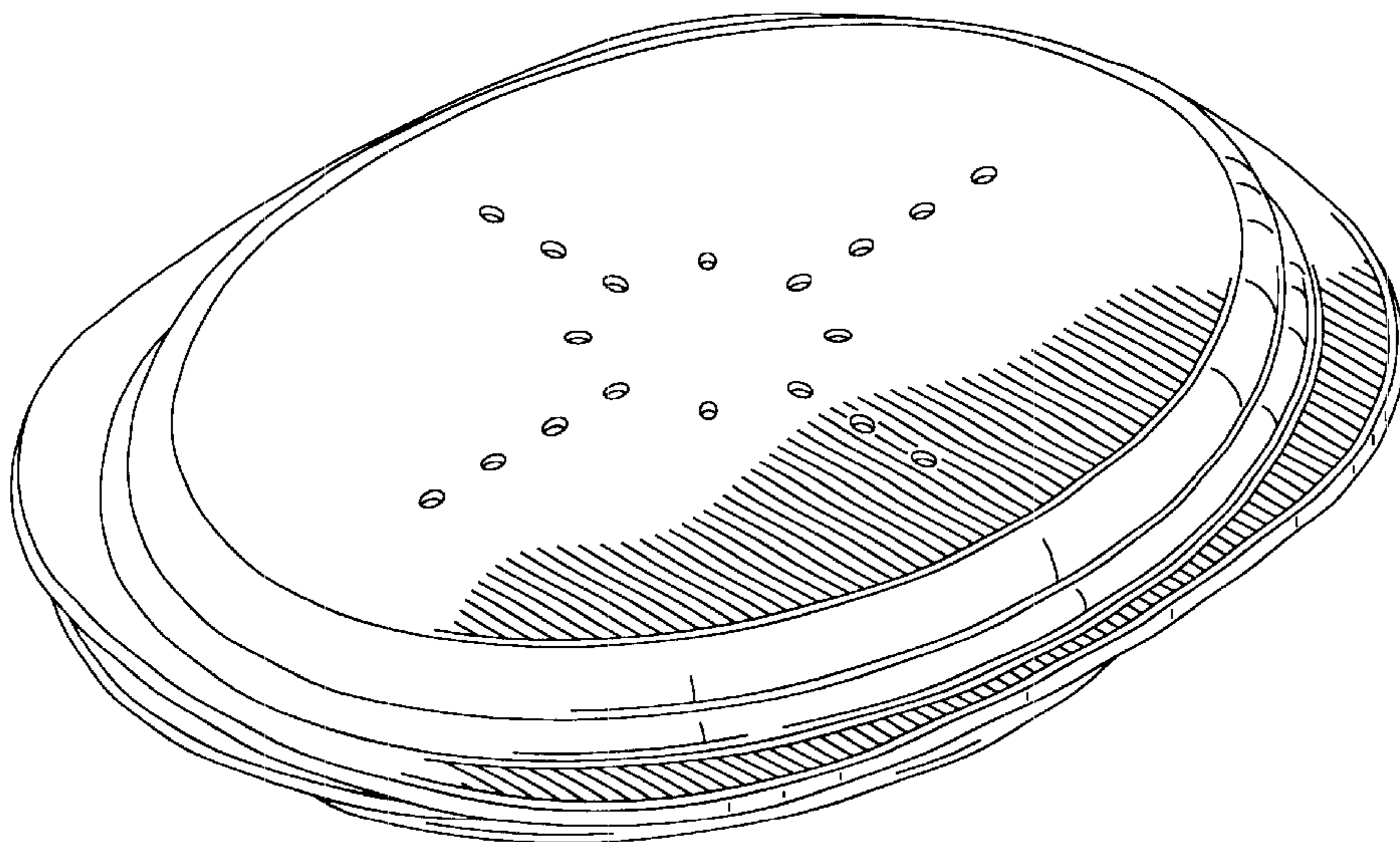
(57) **CLAIM**

The ornamental design for a dish with vented lid, as shown and described.

**DESCRIPTION**

FIG. 1 is a top, side and front perspective view of a dish with vented lid showing the new design;  
FIG. 2 is a right side elevation view thereof;  
FIG. 3 is a left side elevation view thereof;  
FIG. 4 is a front elevation view thereof;  
FIG. 5 is a rear elevation view thereof;  
FIG. 6 is a top plan view thereof;  
FIG. 7 is a bottom plan view thereof; and,  
FIG. 8 is a top, side and front exploded perspective view thereof.

**1 Claim, 5 Drawing Sheets**



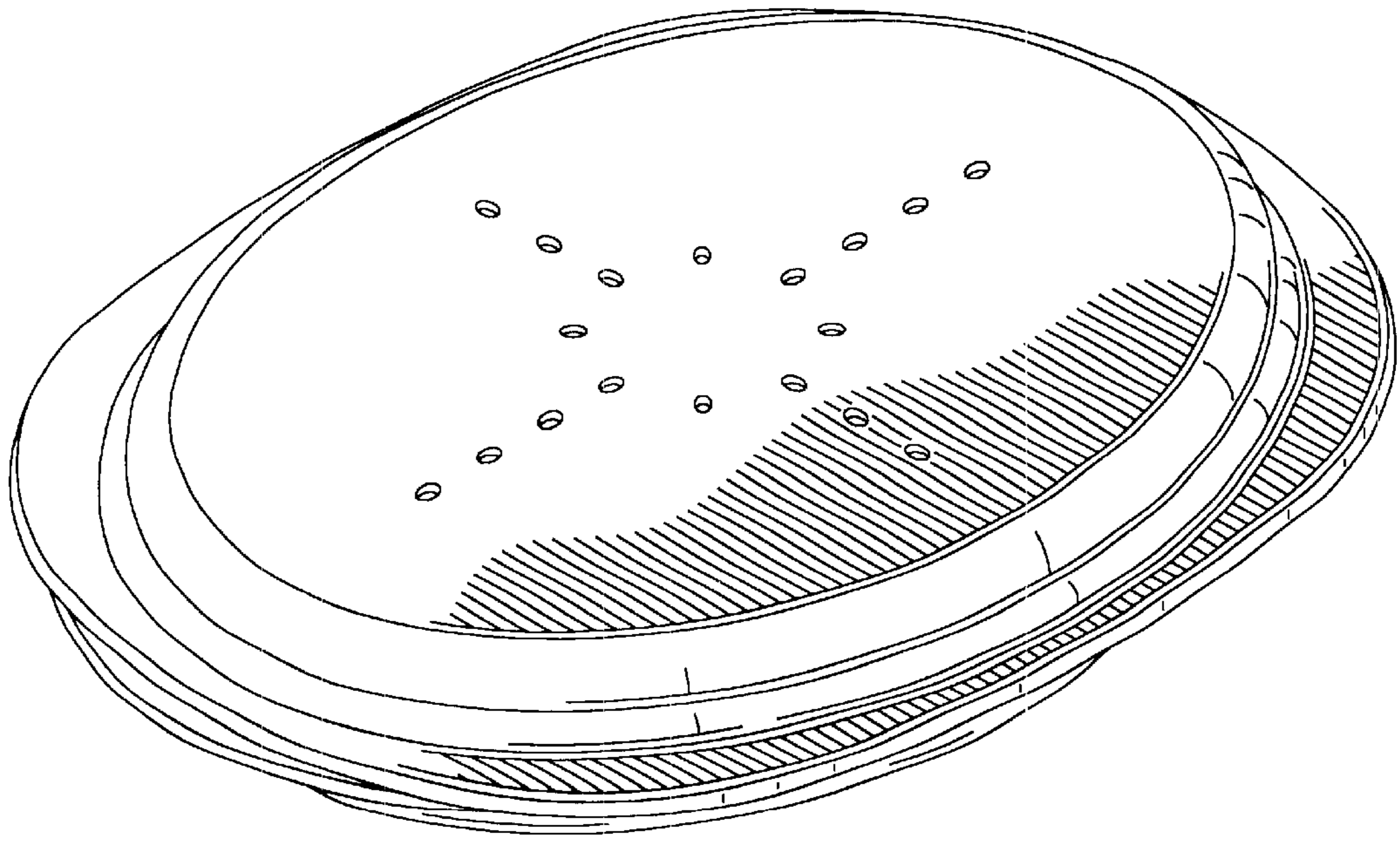


FIG. 1

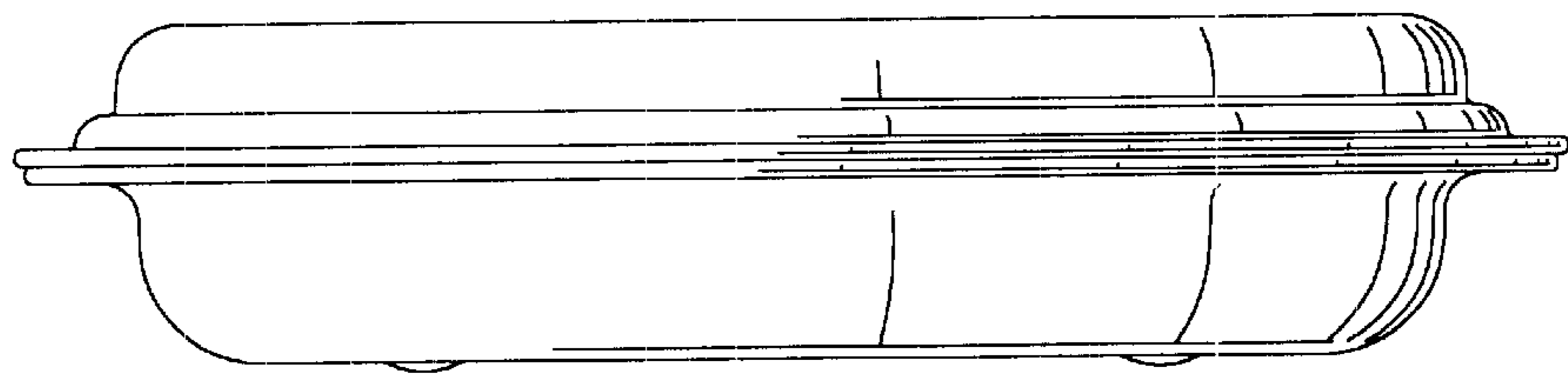


FIG. 2

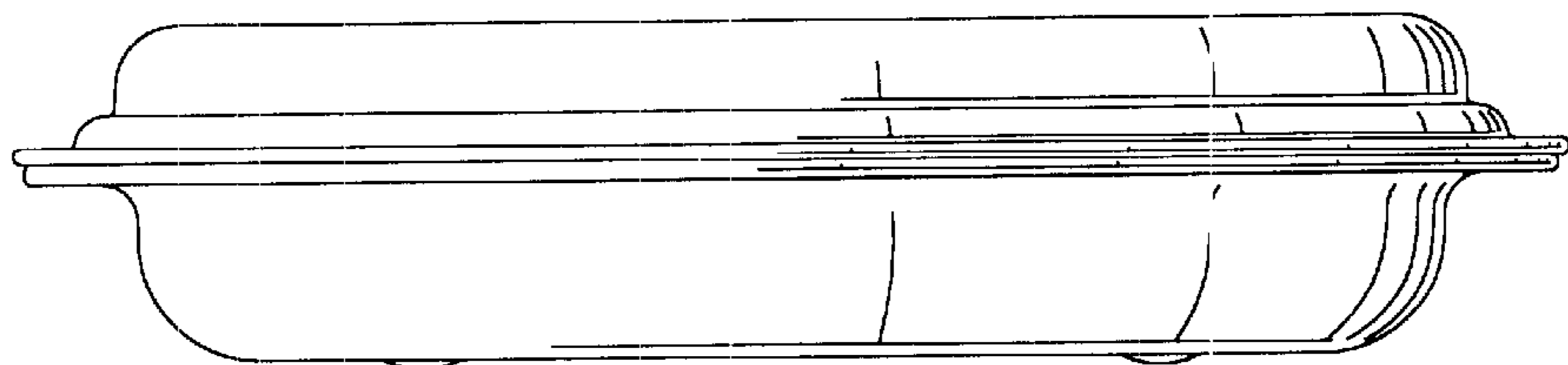


FIG. 3

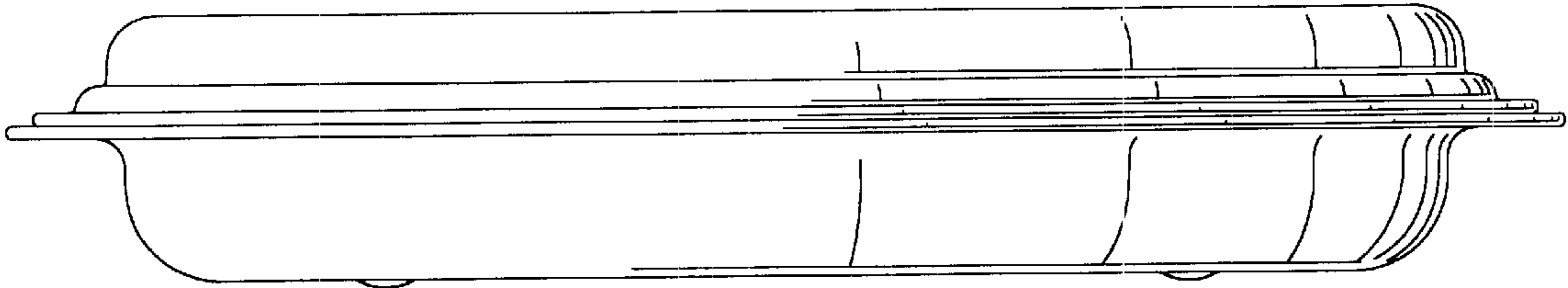


FIG. 4

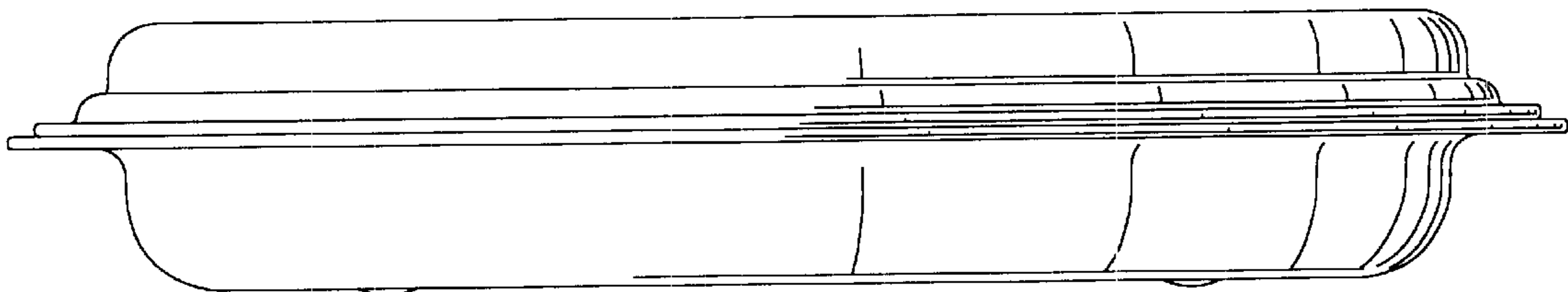


FIG. 5

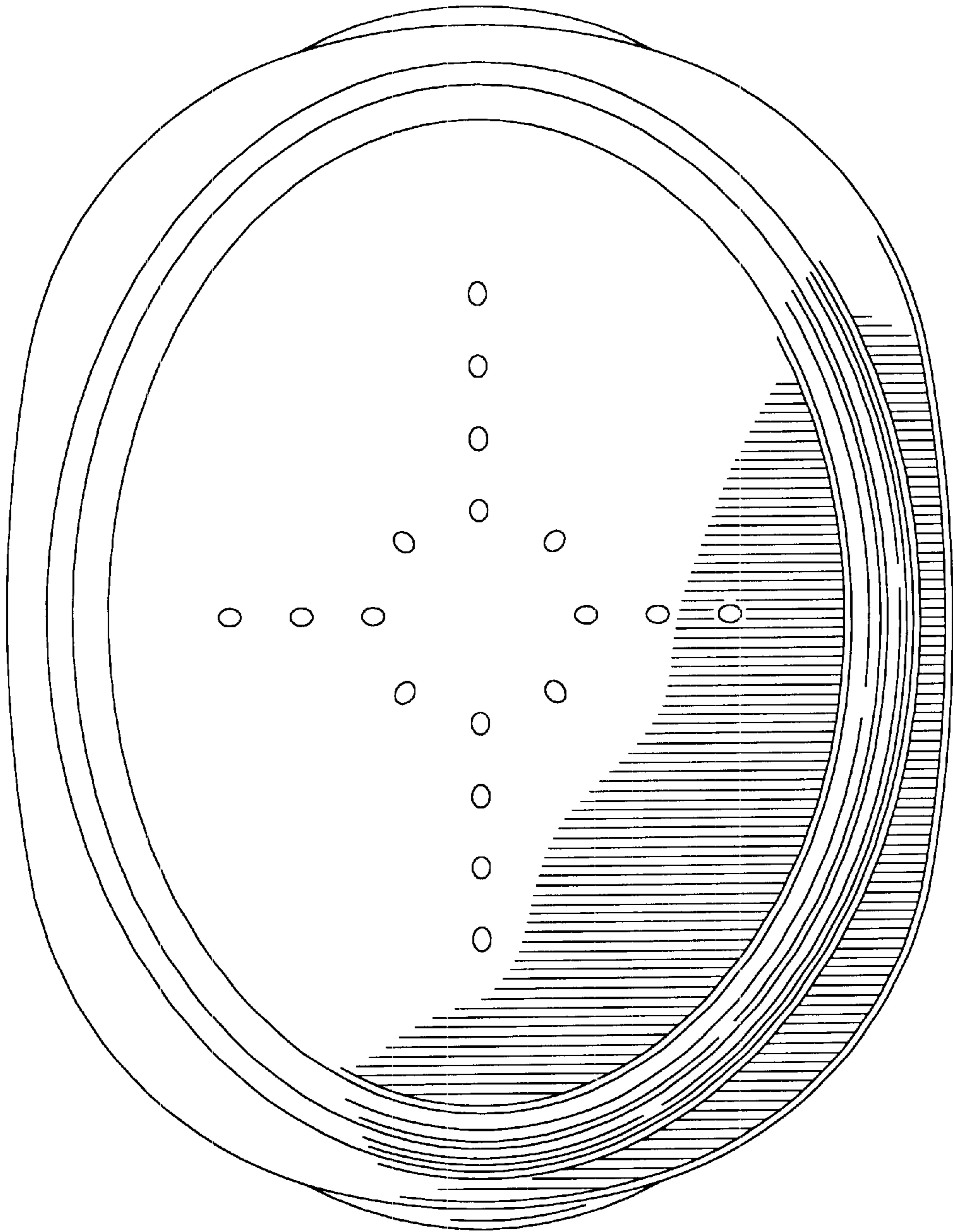


FIG. 6

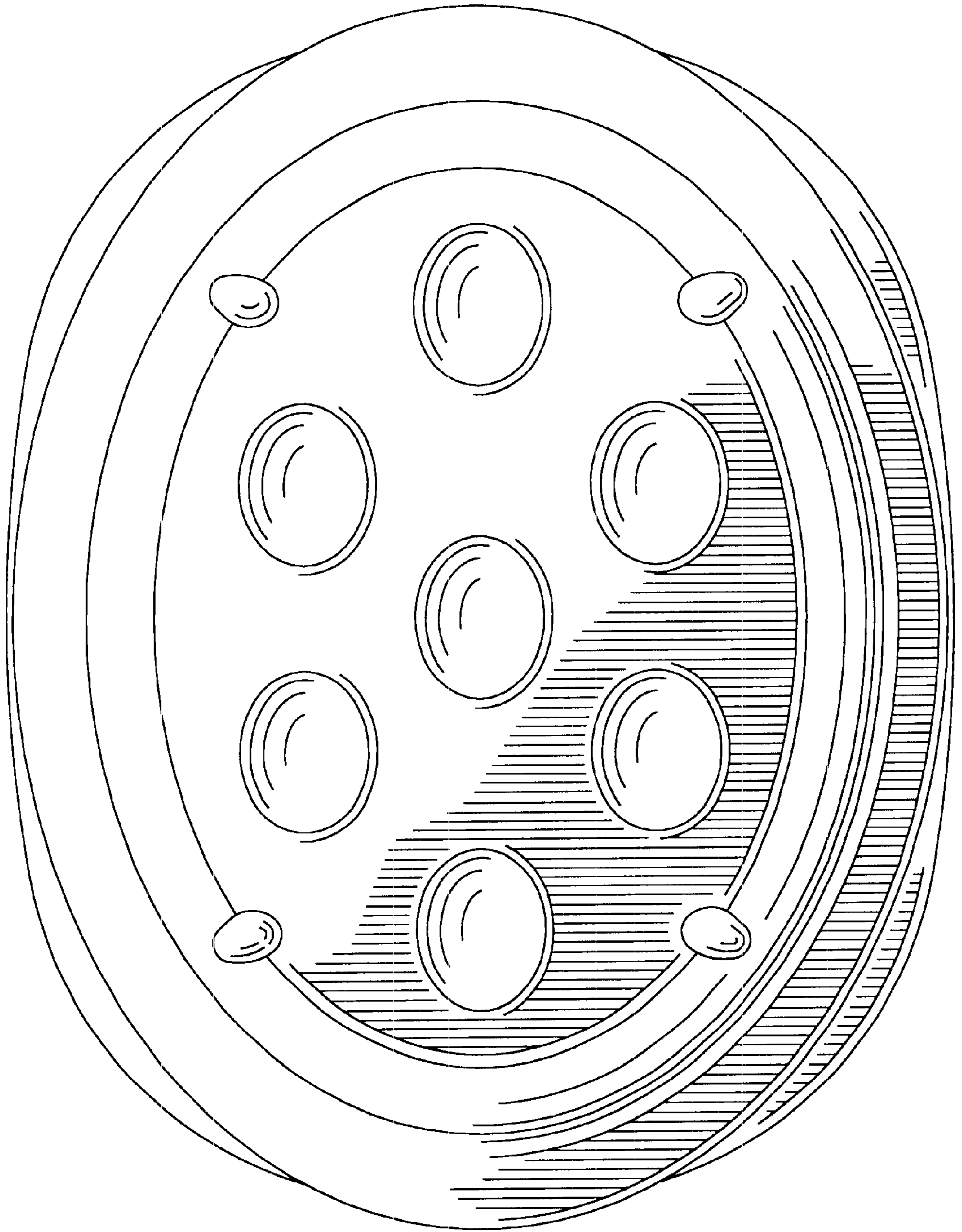


FIG. 7

5/5<sup>+</sup>

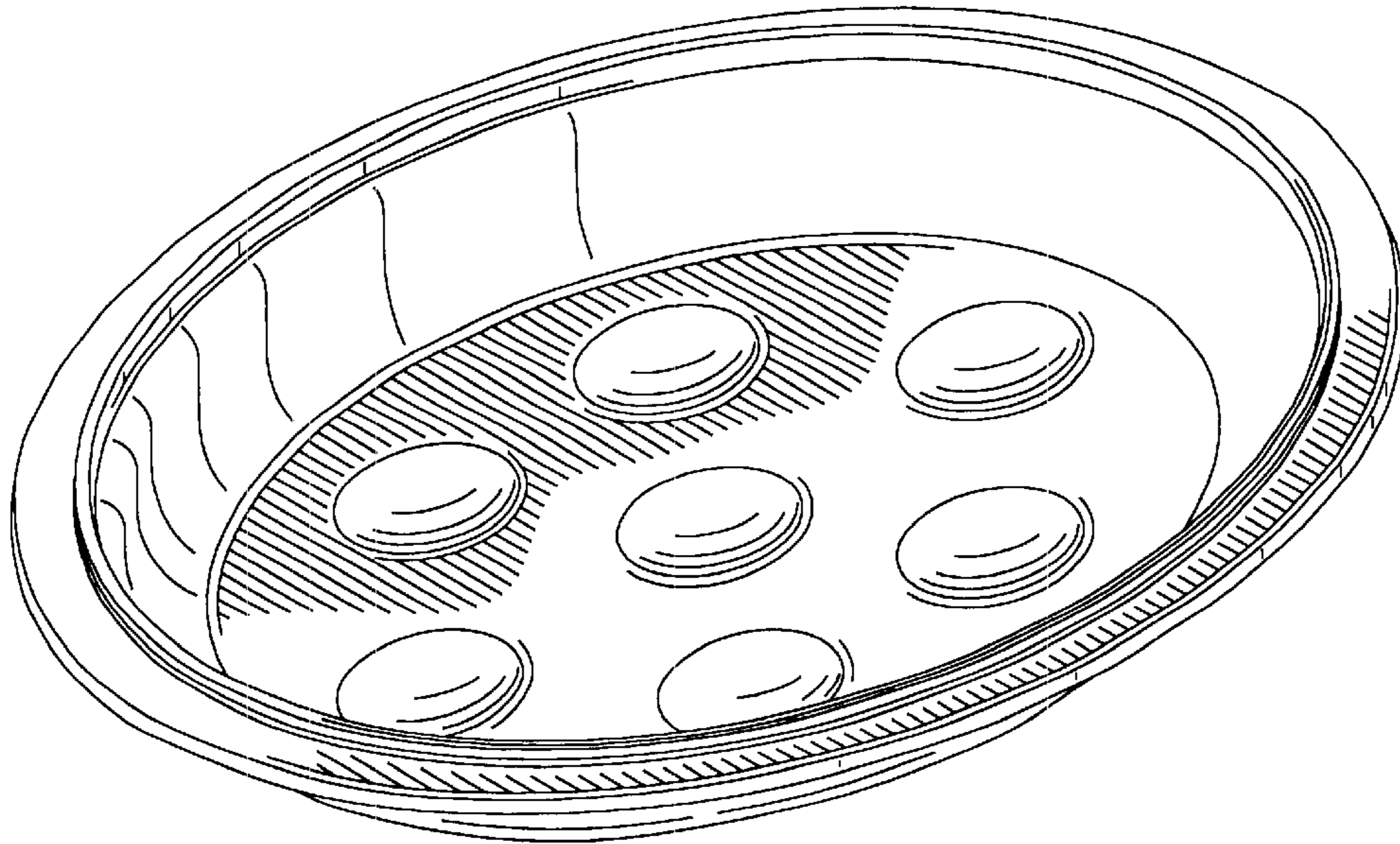
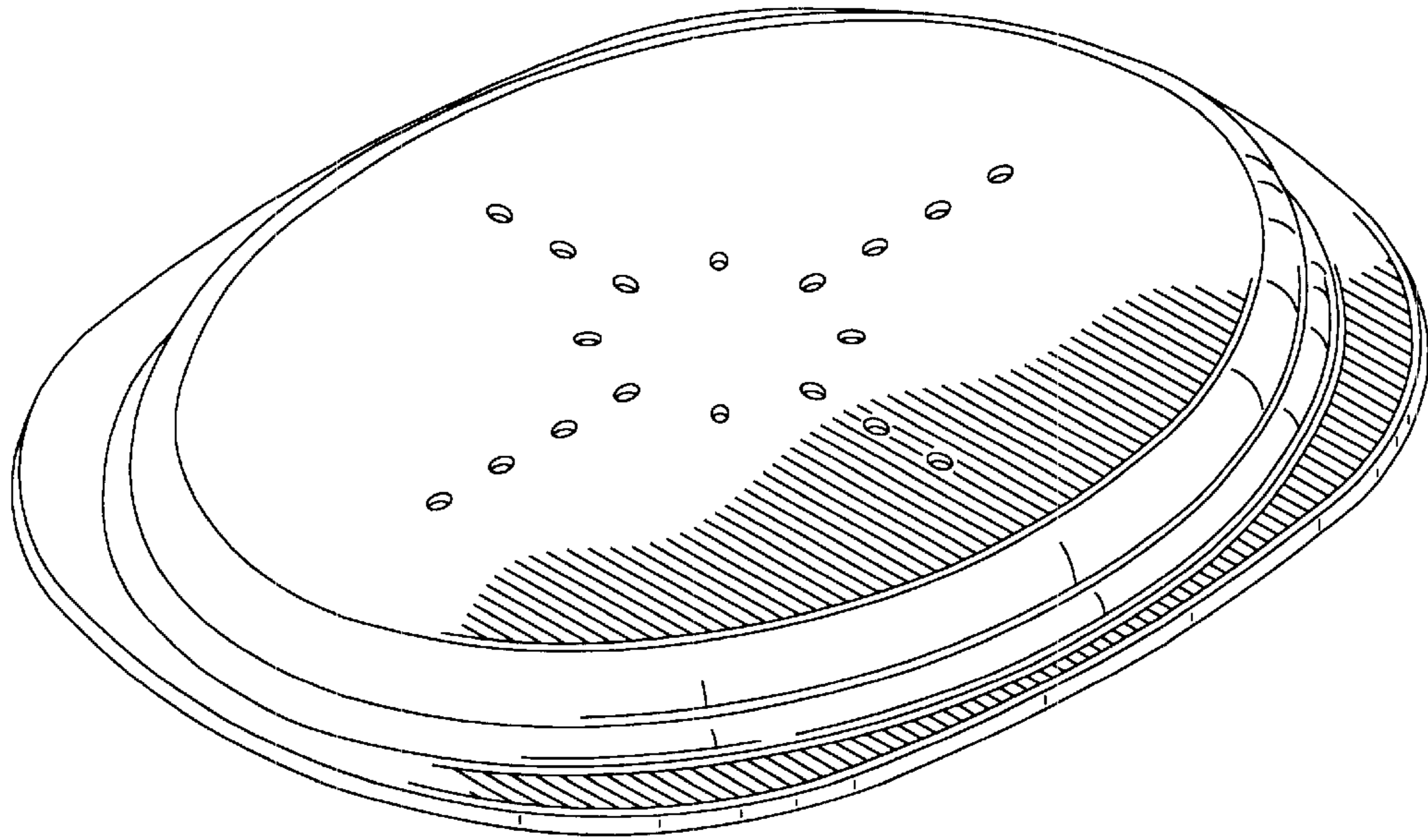


FIG. 8