



US00D482566S

(12) **United States Design Patent**
Zemel

(10) **Patent No.:** **US D482,566 S**

(45) **Date of Patent:** **** Nov. 25, 2003**

(54) **HAND GRIP FOR BARBECUE TOOL**

6,216,306 B1 4/2001 Esterson
6,237,192 B1 5/2001 Garrison
6,282,742 B1 9/2001 Boggs
D456,667 S 5/2002 Veltri et al.

(75) Inventor: **Marc Zemel**, Old Bethpage, NY (US)

(73) Assignee: **Mr. Bar-B-Q-, Inc.**, Old Bethpage, NY (US)

(**) Term: **14 Years**

Primary Examiner—Terry A. Wallace

(74) *Attorney, Agent, or Firm*—Seth Natter; Natter & Natter

(21) Appl. No.: **29/171,672**

(57) **CLAIM**

(22) Filed: **Nov. 27, 2002**

The ornamental design for a hand grip for barbecue tool, as shown and described.

Related U.S. Application Data

DESCRIPTION

(63) Continuation-in-part of application No. 29/162,316, filed on Jun. 14, 2002, now Pat. No. Des. 474,644, which is a continuation-in-part of application No. 29/151,601, filed on Dec. 6, 2001, now Pat. No. Des. 463,952, which is a continuation-in-part of application No. 29/142,160, filed on May 21, 2001, now Pat. No. Des. 456,207.

FIG. 1 is a top plan view of a hand grip for barbecue tool showing my new design;

FIG. 2 is a right side view thereof;

FIG. 3 is an auxiliary end view thereof taken substantially along the plane 3—3 of FIG. 2; and

FIG. 4 is a perspective view thereof;

(51) **LOC (7) Cl.** **07-06**

(52) **U.S. Cl.** **D7/393**

(58) **Field of Search** D7/393, 395, 401.2, D7/682–697, 354–361; D4/138; D8/107; 15/111, 143.1, 159.1, 236.01; 16/110.1, 430, 431, 436, DIG. 12, DIG. 19

FIG. 5 is a top plan view of an alternate embodiment of a hand grip for barbecue tool showing my new design;

FIG. 6 is a right side view of an alternate embodiment thereof;

FIG. 7 is an auxiliary end view of an alternate embodiment thereof taken substantially along the plane 7—7 of FIG. 6; and,

FIG. 8 is a perspective view of an alternate embodiment thereof.

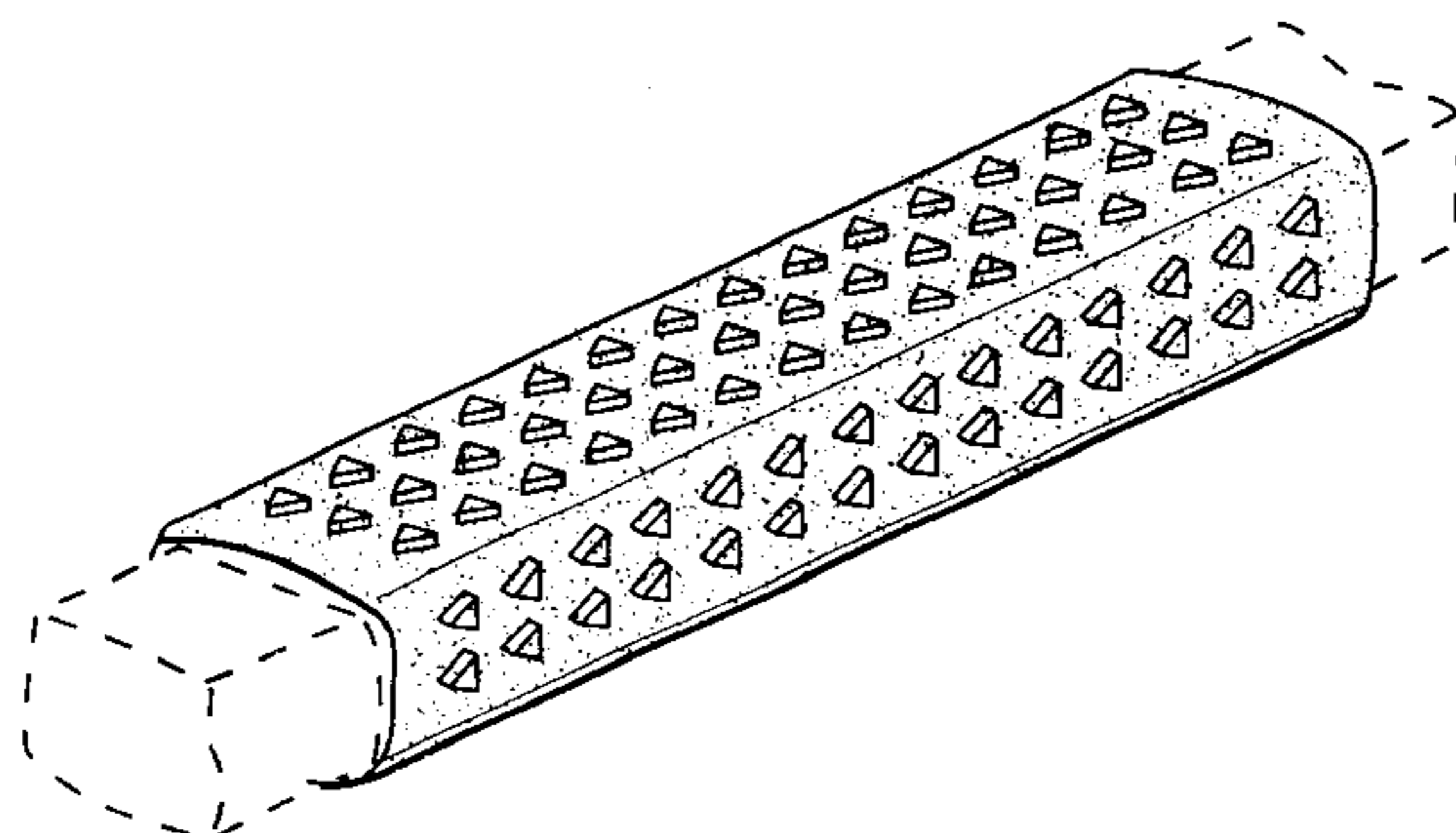
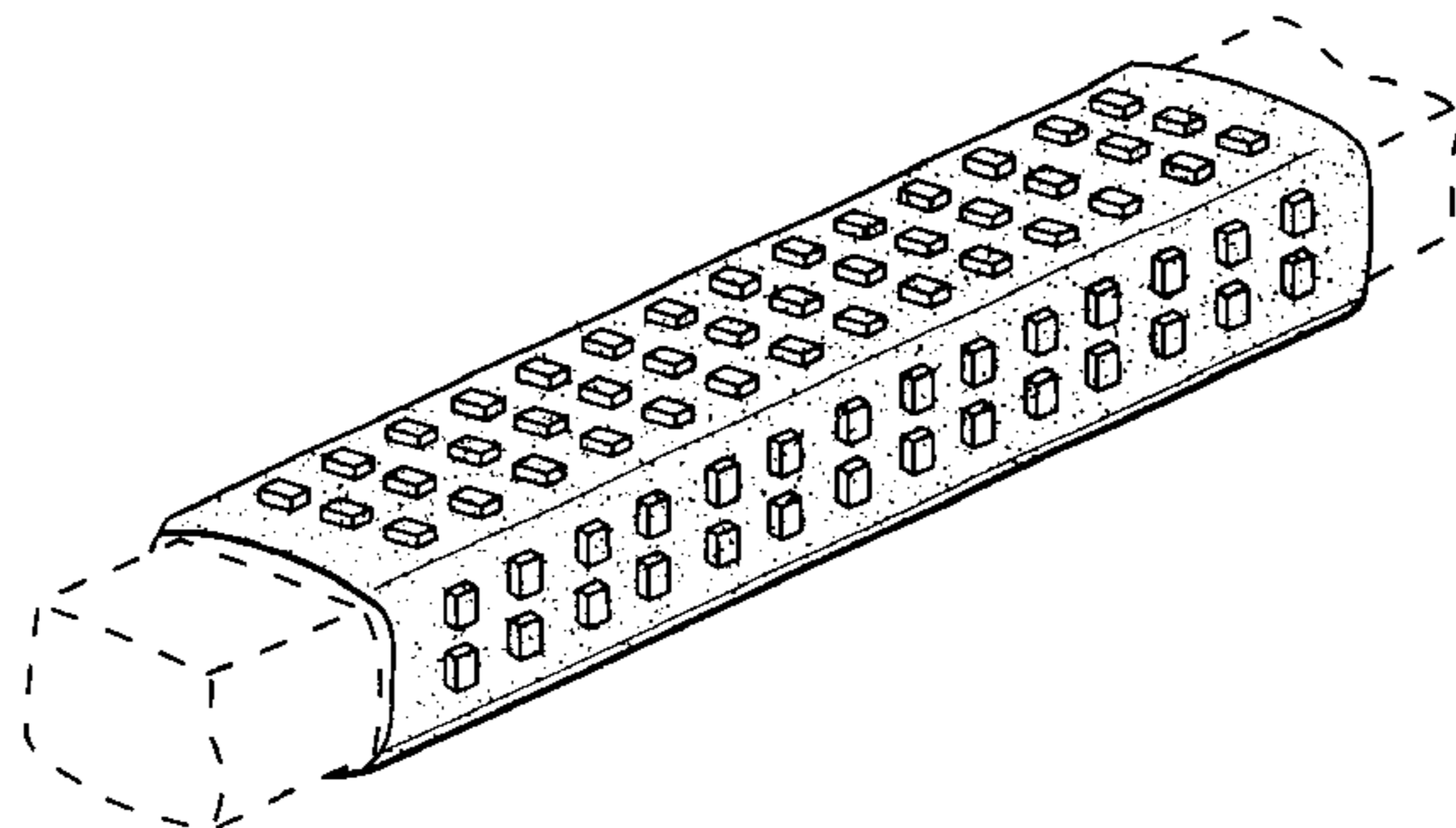
(56) **References Cited**

U.S. PATENT DOCUMENTS

4,209,877 A 7/1980 Colasent
D361,695 S 8/1995 Sutker
5,623,739 A 4/1997 Thompson
D400,328 S 10/1998 Zemel
5,867,867 A 2/1999 Kessler
D417,121 S 11/1999 Brunianyn

The bottom and left side views are mirror images of the top and right side views; the ends not shown are identical to the end views illustrated in FIG. 4 and FIG. 7 and portions of a handle shown in dashed lines do not form part of the claimed design.

1 Claim, 2 Drawing Sheets



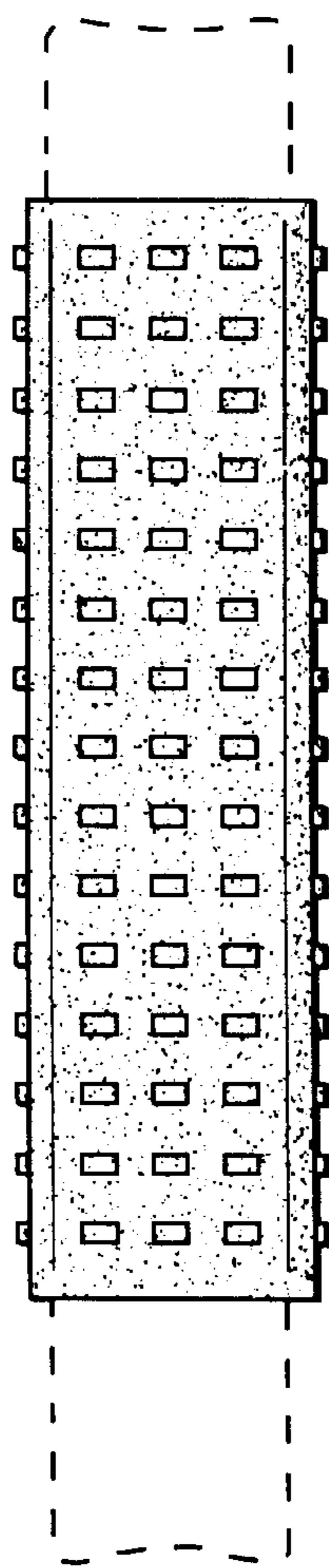


Fig. 1

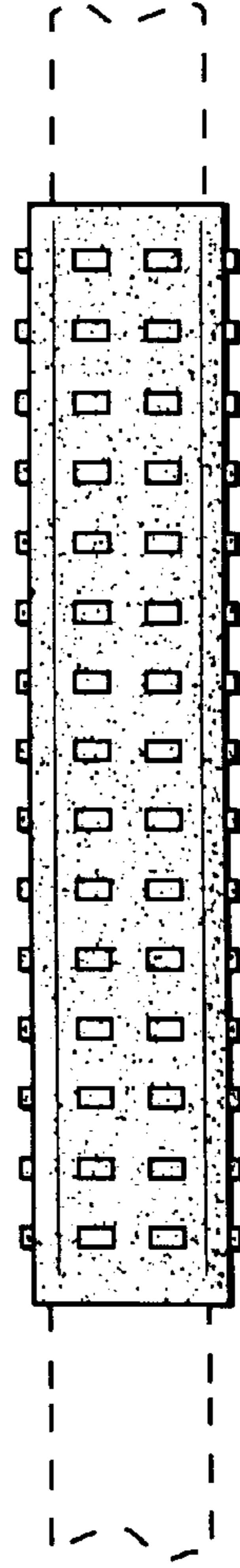


Fig. 2

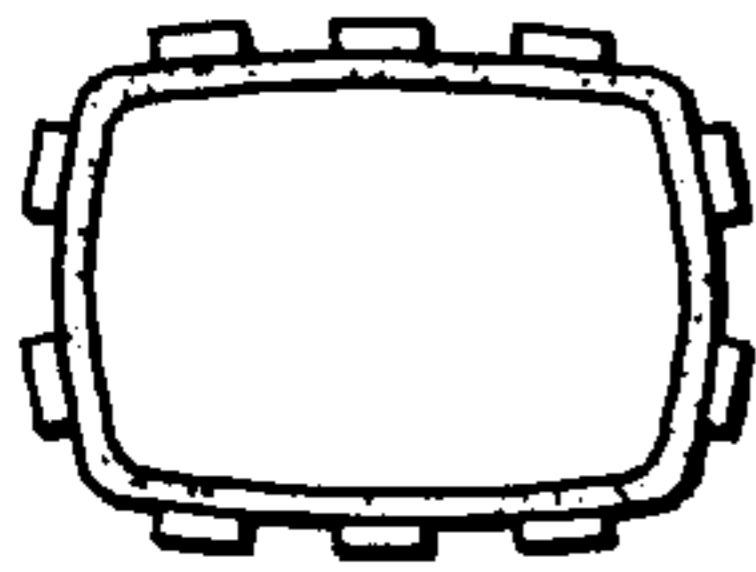


Fig. 3

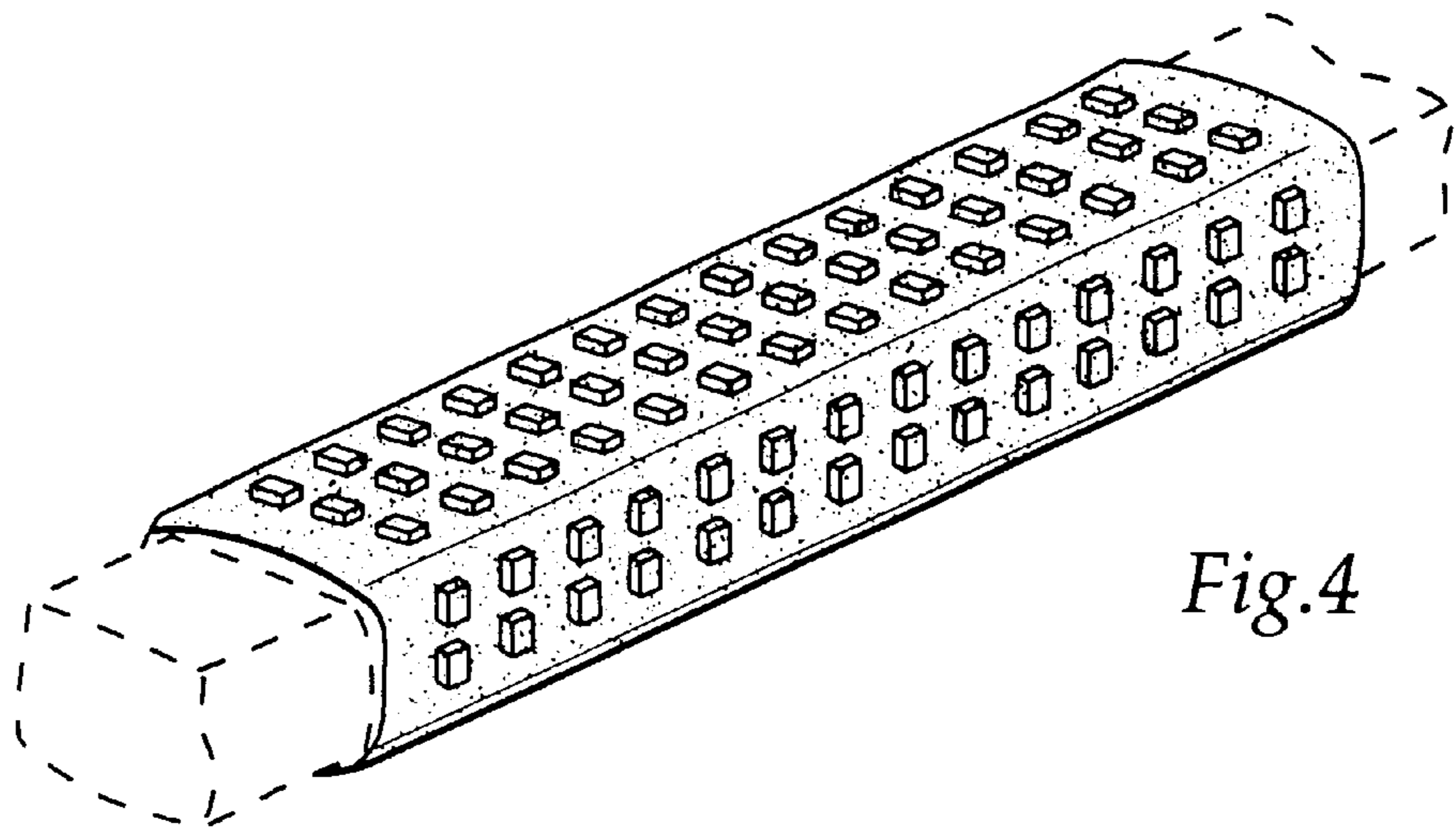


Fig. 4

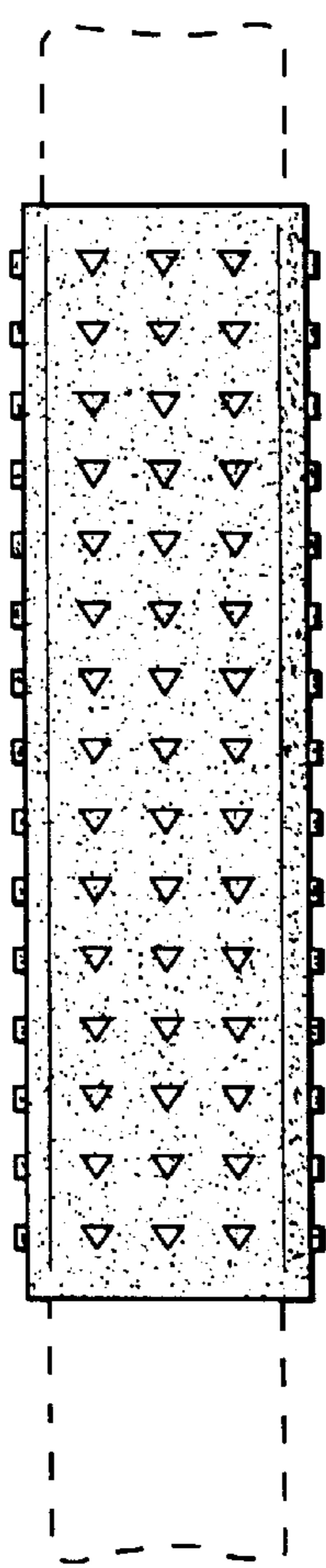


Fig. 5

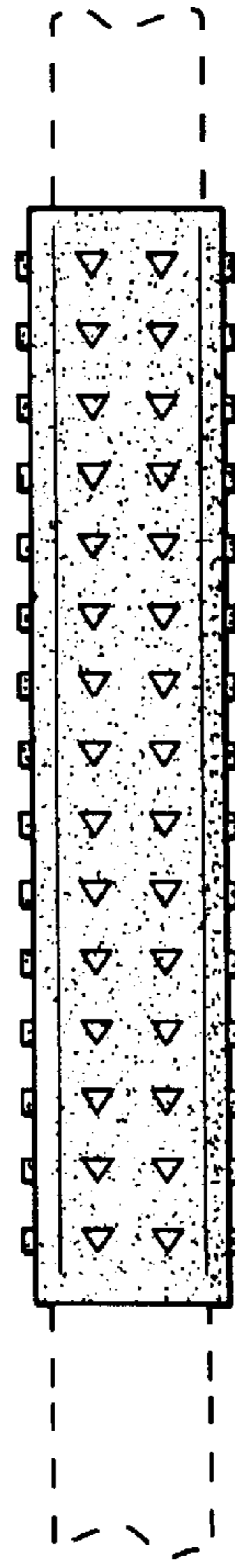


Fig. 6

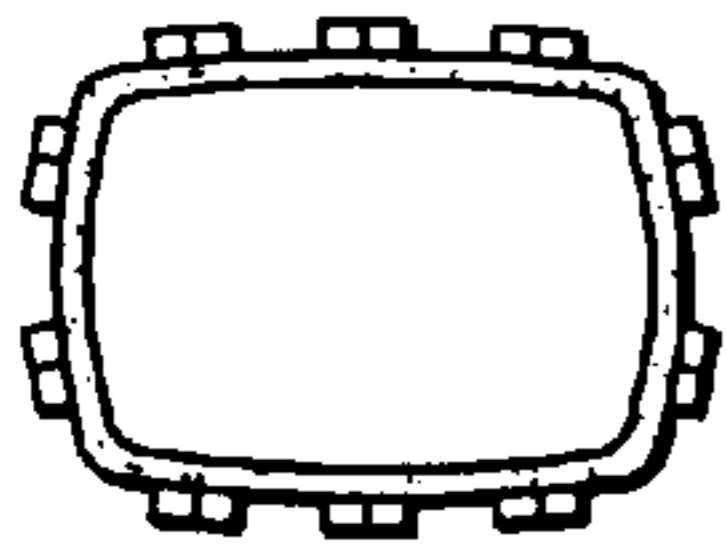


Fig. 7

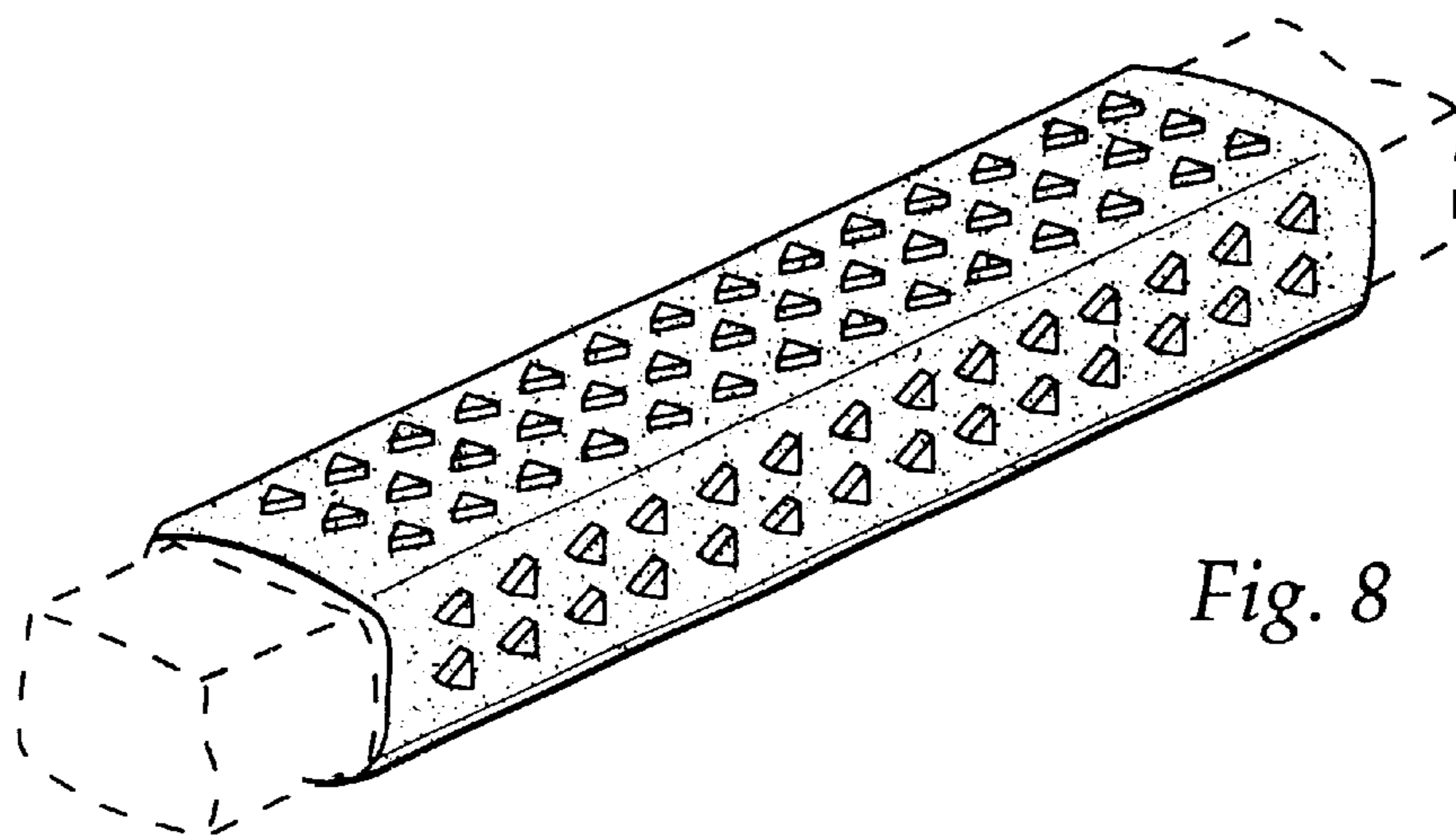


Fig. 8