



US00D482564S

(12) **United States Design Patent**  
**Short**

(10) **Patent No.:** **US D482,564 S**

(45) **Date of Patent:** **\*\* Nov. 25, 2003**

(54) **MIXER HEAD**

6,494,610 B1 12/2002 Brunswick ..... 366/207

D468,581 S \* 1/2003 Short ..... D7/379

2002/0181322 A1 \* 12/2002 Brunswick et al. .... 366/197

(75) Inventor: **Ellis G. Short**, Sydney, OH (US)

(73) Assignee: **Premark FEG L.L.C.**, Wilmington, DE (US)

**FOREIGN PATENT DOCUMENTS**

GB 2075103 \* 9/1998

GB 3000822 \* 7/2002

(\*\*) Term: **14 Years**

**OTHER PUBLICATIONS**

(21) Appl. No.: **29/169,154**

Hobart Food Equipment N-50 Mixer; Jun. 2000; 1 Page.

(22) Filed: **Oct. 15, 2002**

Hobart Food Equipment A-120 Mixer; Jun. 2000; 1 Page.

Hobart Food Equipment A-200 Mixer; Jun. 2000; 1 Page.

**Related U.S. Application Data**

The Edge publication, vol. Six, Spring 1994; 16 Pages.

U.S. Trademark Reg. No. 2,206,296, Dec. 1998.

(62) Division of application No. 29/159,713, filed on Apr. 26, 2002, now Pat. No. Des. 468,581, which is a division of application No. 29/145,442, filed on Jul. 23, 2001, now Pat. No. Des. 459,145.

U.S. Trademark Reg. No. 2,194,508, Oct. 1998.

U.S. Trademark Reg. No. 1,553,469, Aug. 1989.

\* cited by examiner

(51) **LOC (7) Cl.** ..... **31-00**

*Primary Examiner*—Caron D. Veynar

(52) **U.S. Cl.** ..... **D7/379**

(74) *Attorney, Agent, or Firm*—Thompson Hine LLP

(58) **Field of Search** ..... D7/376-386, 412-415; 366/197-207, 219-221, 241-254, 349

(57) **CLAIM**

(56) **References Cited**

The ornamental design for a mixer head, as shown and described.

**U.S. PATENT DOCUMENTS**

**DESCRIPTION**

- D111,616 S \* 10/1938 Rosengren ..... D7/379
- 2,306,245 A \* 12/1942 Duke ..... 366/98
- D163,423 S \* 5/1951 Schimanski ..... D7/379
- D180,952 S \* 9/1957 Kaempf ..... D7/379
- 2,931,232 A \* 4/1960 Martin ..... 366/197
- D205,092 S \* 6/1966 Ewart ..... D7/379
- 4,790,665 A \* 12/1988 Hayashi ..... 366/98
- D362,994 S \* 10/1995 Ratermann et al. .... D7/376
- 5,860,738 A \* 1/1999 Brinkman ..... 366/197
- 6,068,398 A \* 5/2000 Lin ..... 366/347
- D459,145 S \* 6/2002 Short ..... D7/379
- 6,435,708 B1 \* 8/2002 Huang ..... 366/347

FIG. 1 is a perspective view of a mixer head according to my new design;

FIG. 2 is a front elevation view of the mixer head of FIG. 1;

FIG. 3 is a left elevation view of the mixer head of FIG. 1;

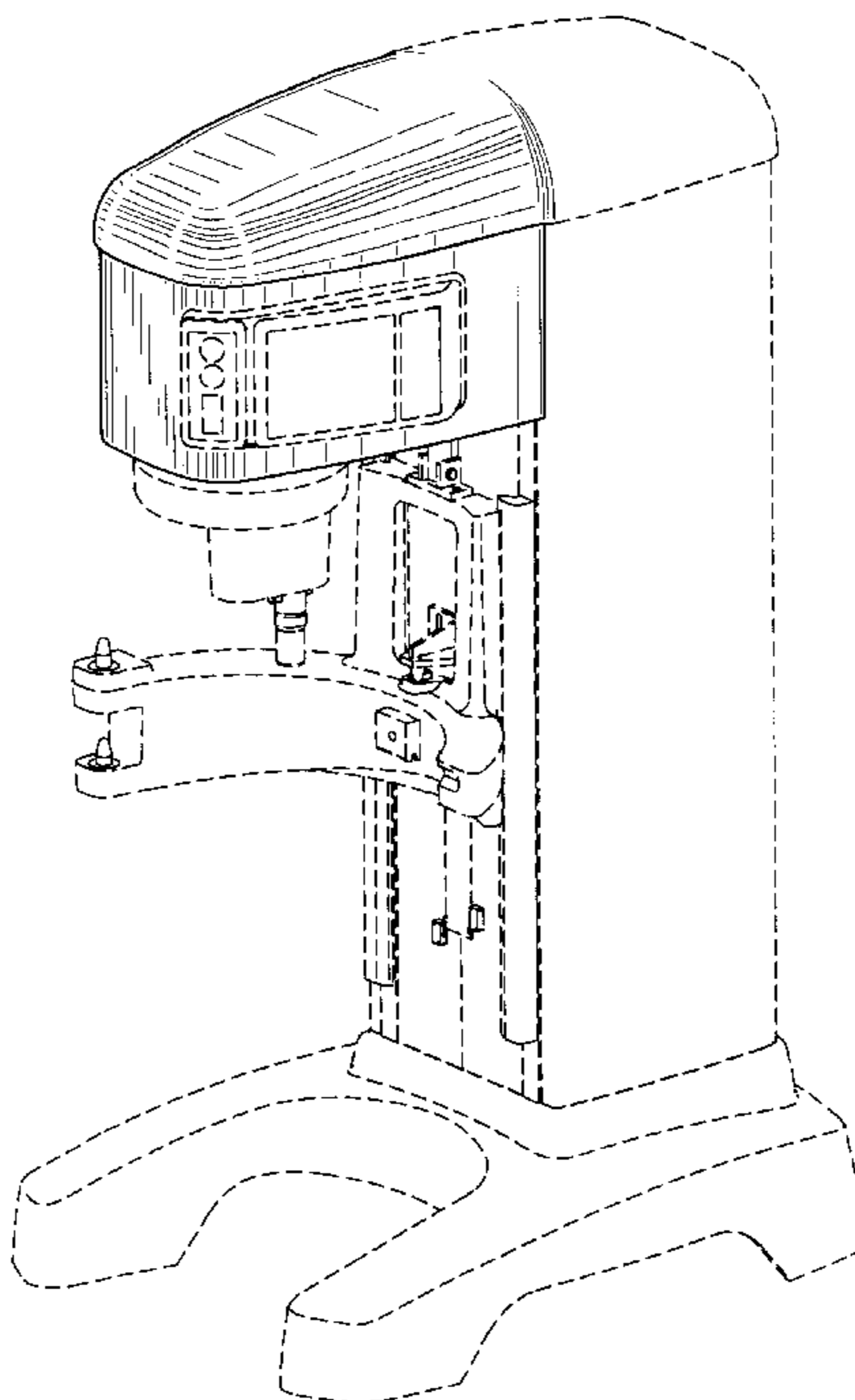
FIG. 4 is a right elevation view of the mixer head of FIG. 1;

and,

FIG. 5 is a top view of the mixer head of FIG. 1.

The broken lines shown in FIGS. 1-5 are for illustrative purposes only and form no part of the claimed design.

**1 Claim, 5 Drawing Sheets**



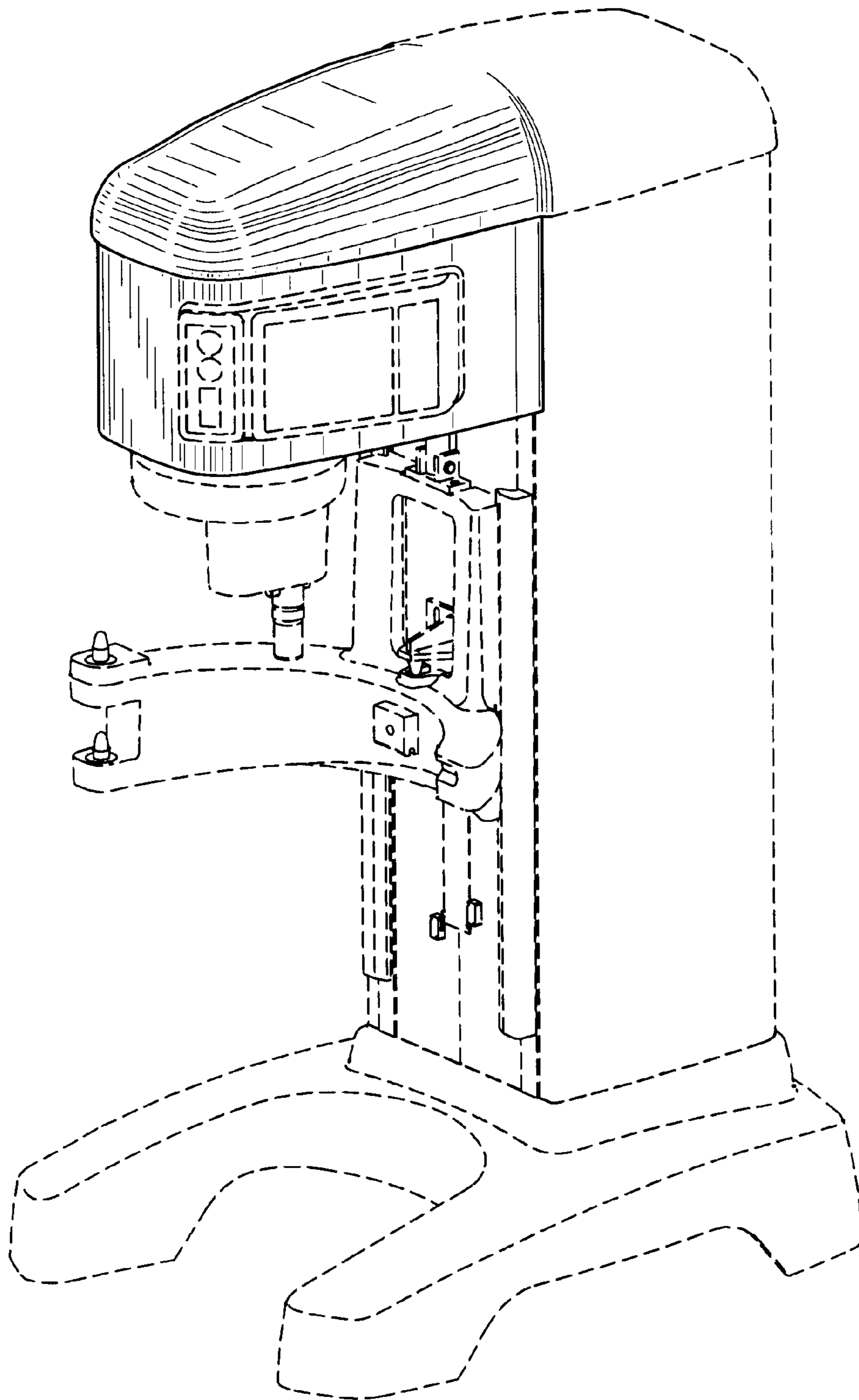


FIG. 1

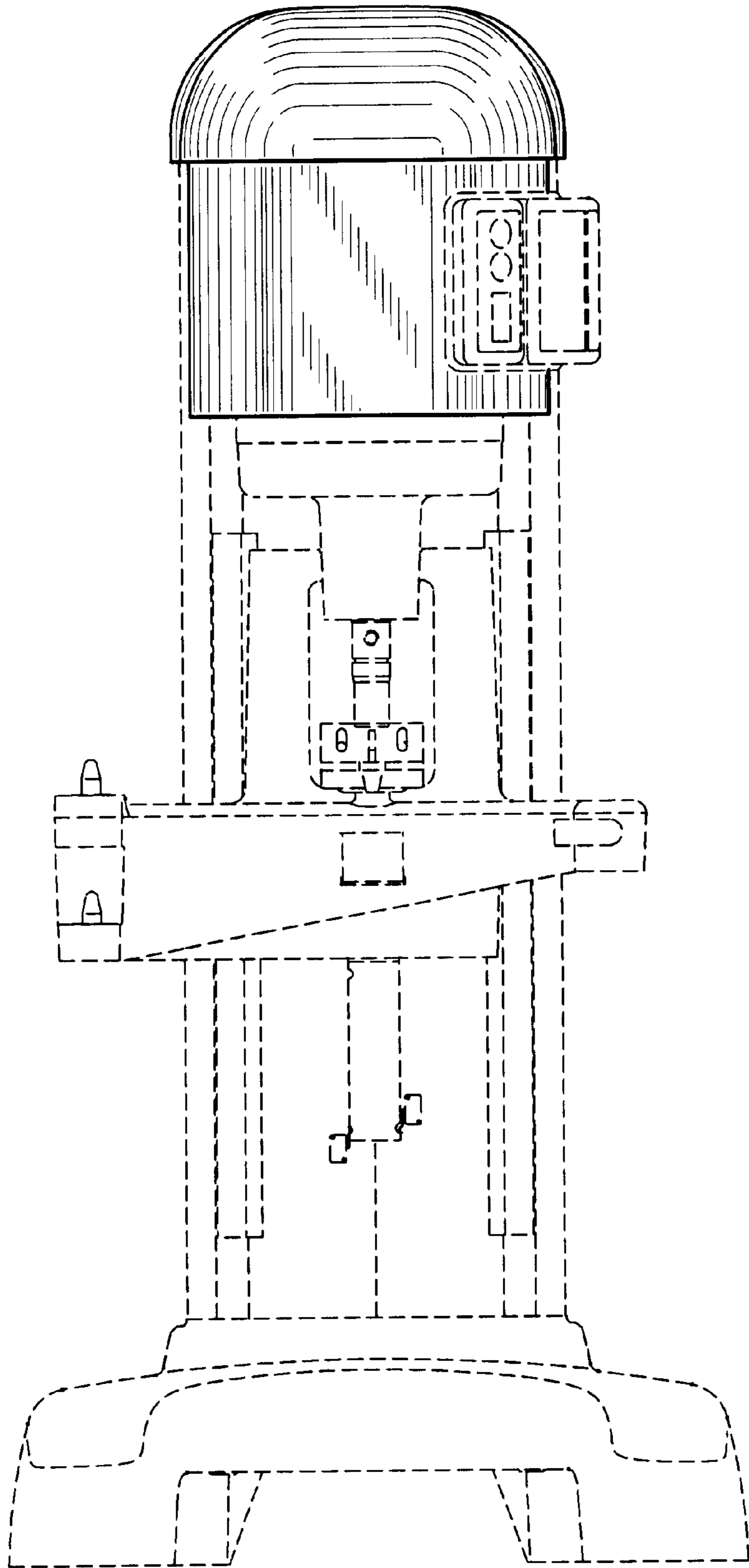


FIG. 2

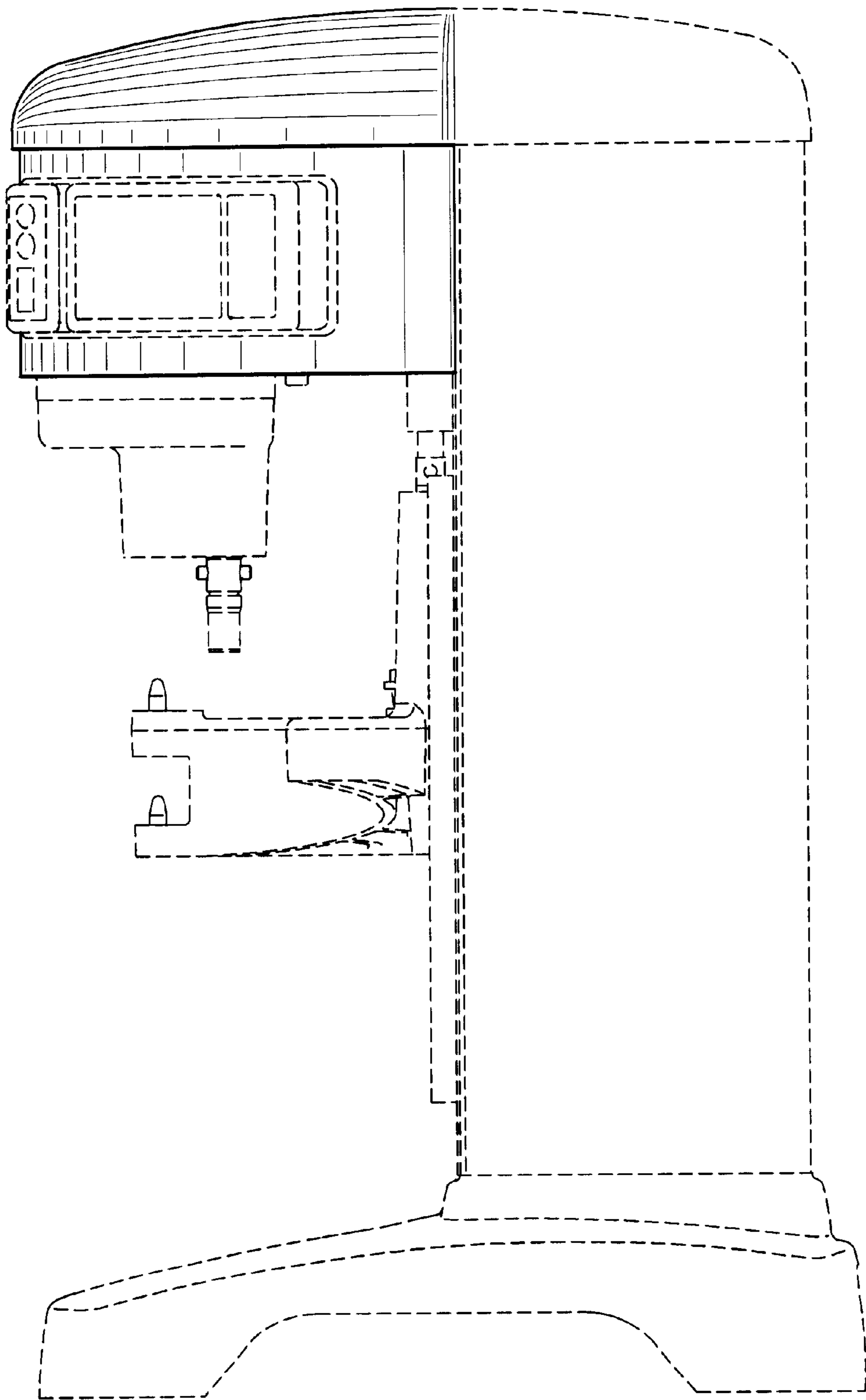


FIG. 3

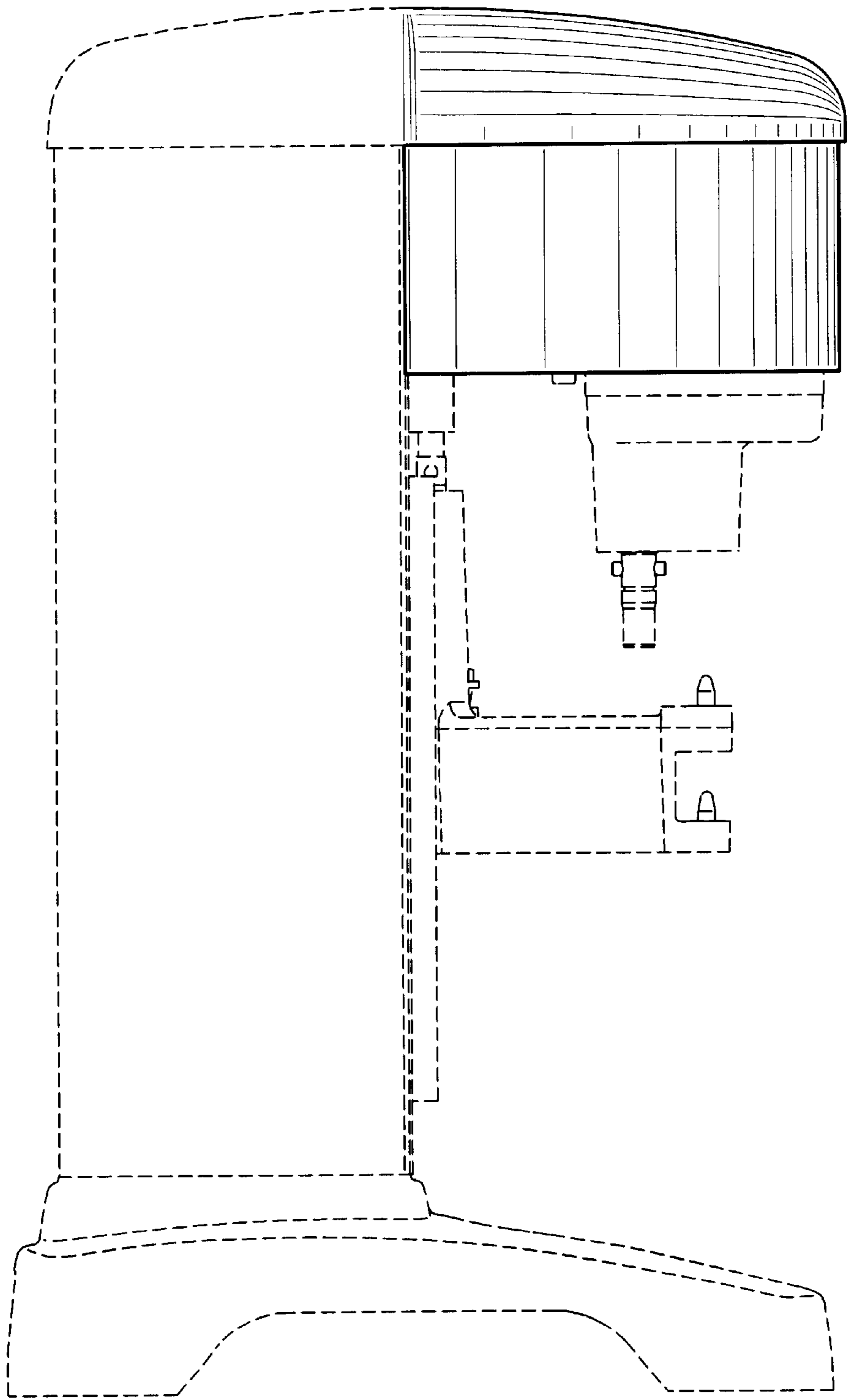


FIG. 4

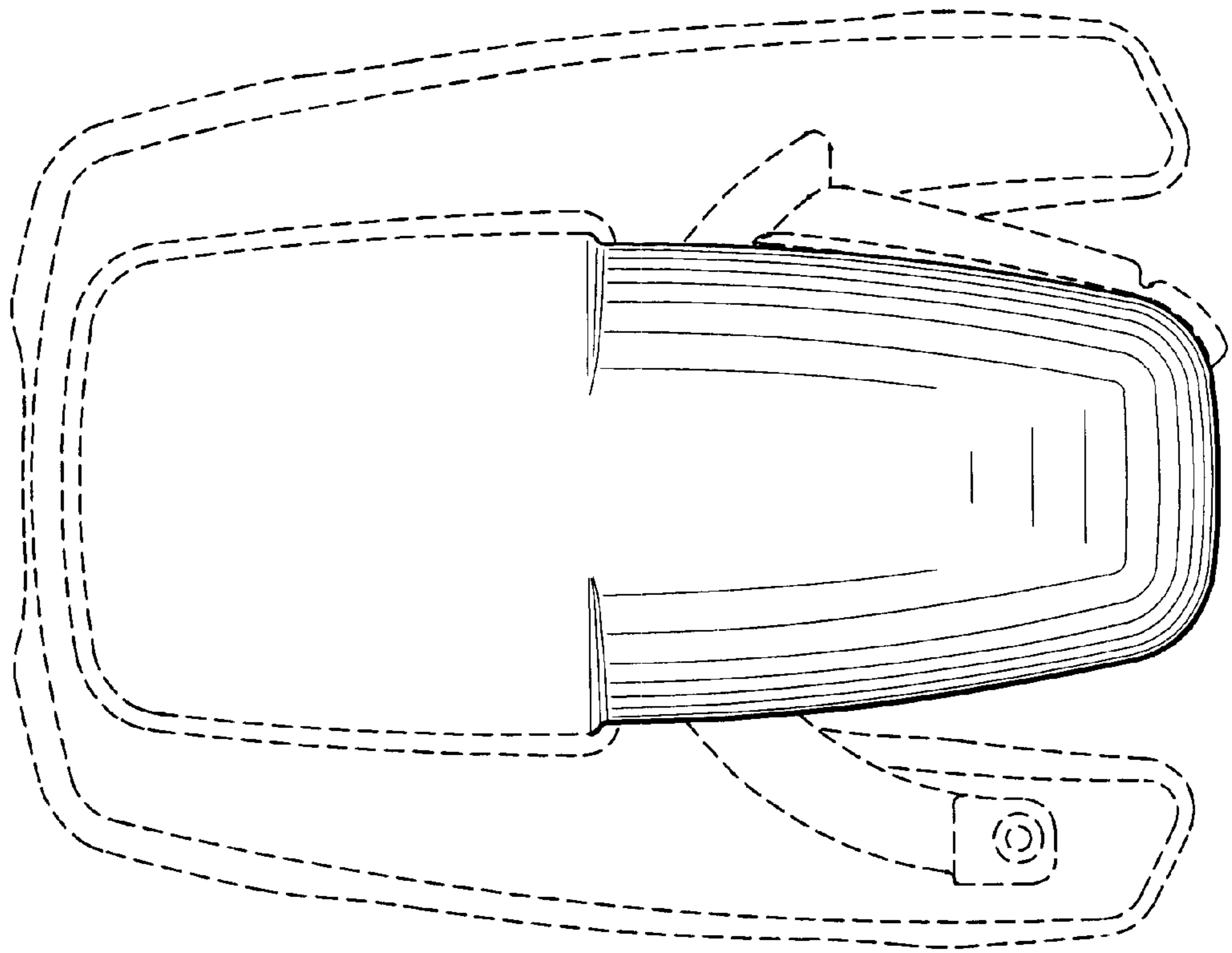


FIG. 5