



US00D482560S

(12) **United States Design Patent**
Danilovski

(10) **Patent No.:** **US D482,560 S**

(45) **Date of Patent:** **** Nov. 25, 2003**

(54) **COMPACT DISC STORAGE TRAY**

(76) **Inventor:** **Nenad Danilovski**, 530 N. Ardmore Ave. #102, Los Angeles, CA (US) 90004

(**) **Term:** **14 Years**

(21) **Appl. No.:** **29/162,970**

(22) **Filed:** **Jun. 24, 2002**

(51) **LOC (7) Cl.** **06-04**

(52) **U.S. Cl.** **D6/627**

(58) **Field of Search** D6/407, 627-630, D6/449; 206/308.1, 309; 211/40, 42, 43, 41.12; 298/454, 456, 441.1, 463, 473; 312/9.1, 9.9, 9.11, 9.16, 9.46, 9.47, 9.51, 9.54, 9.64, 9.53

(56) **References Cited**

U.S. PATENT DOCUMENTS

D351,829 S * 10/1994 Maines D14/483
5,423,434 A * 6/1995 Chen 211/40

D365,221 S * 12/1995 Erickson D6/407
5,531,516 A * 7/1996 Peng 312/9.46
D375,429 S * 11/1996 Staack et al. D6/627
5,715,948 A 2/1998 Hung 211/40

* cited by examiner

Primary Examiner—Cathron C. Brooks

(74) *Attorney, Agent, or Firm*—Goldstein & Lavas, P.C.

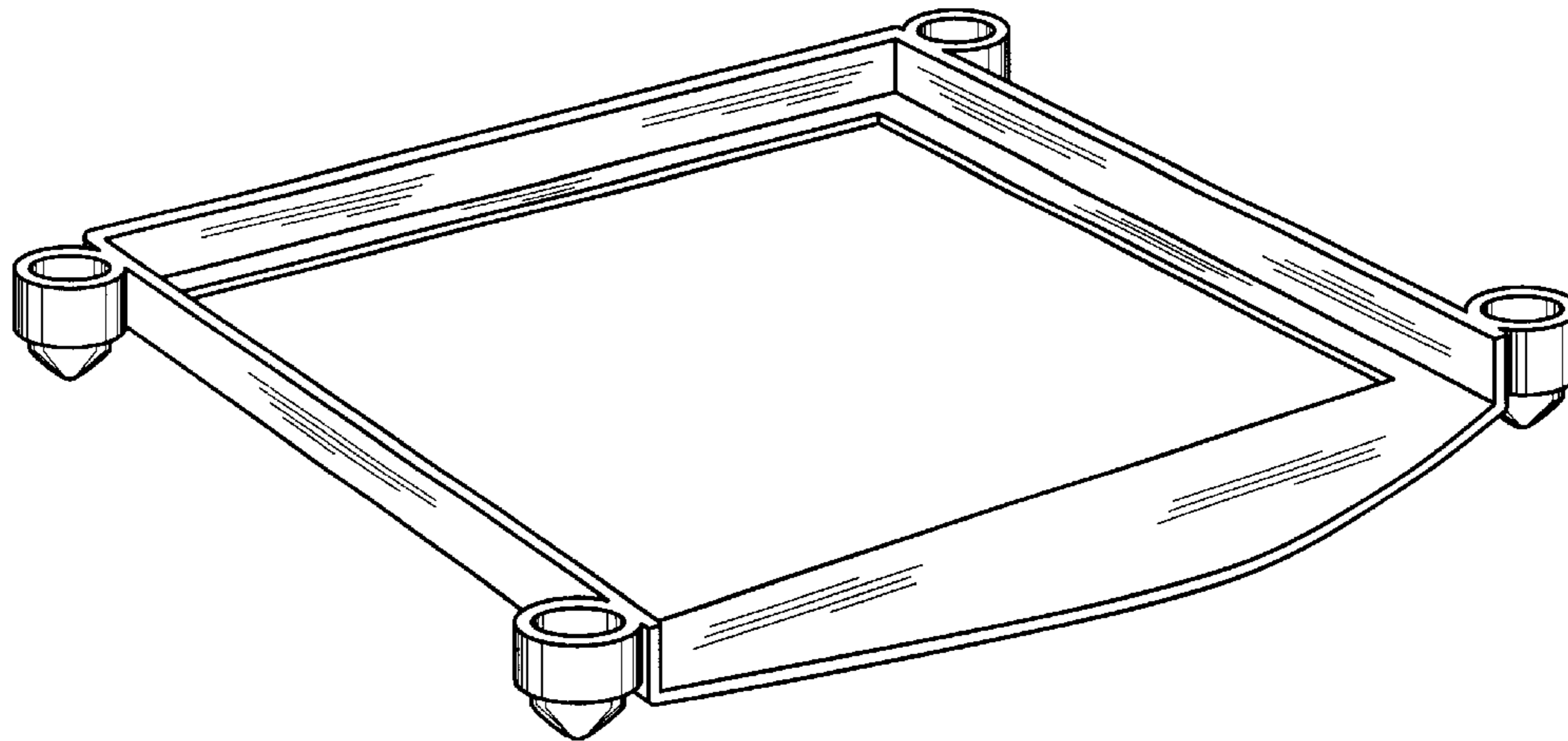
(57) **CLAIM**

The ornamental design for a compact disc storage tray, as shown and described.

DESCRIPTION

FIG. 1 is a perspective view of a compact disc storage tray.
FIG. 2 is a front elevational view thereof.
FIG. 3 is a rear elevational view thereof.
FIG. 4 is a left side elevational view thereof.
FIG. 5 is a right side elevational view thereof.
FIG. 6 is a top plan view of the compact disc storage tray; and,
FIG. 7 is a bottom plan view thereof.

1 Claim, 3 Drawing Sheets



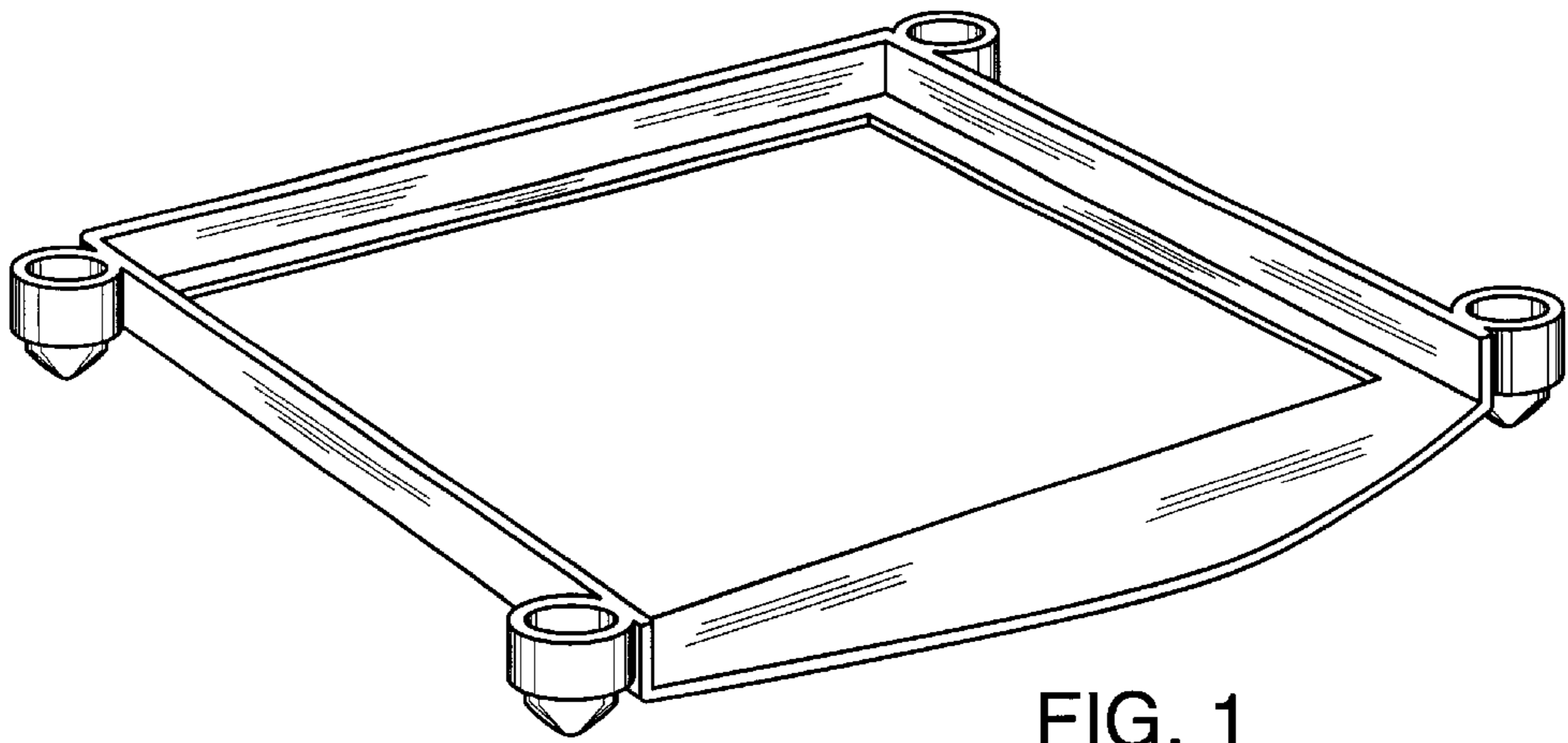


FIG. 1

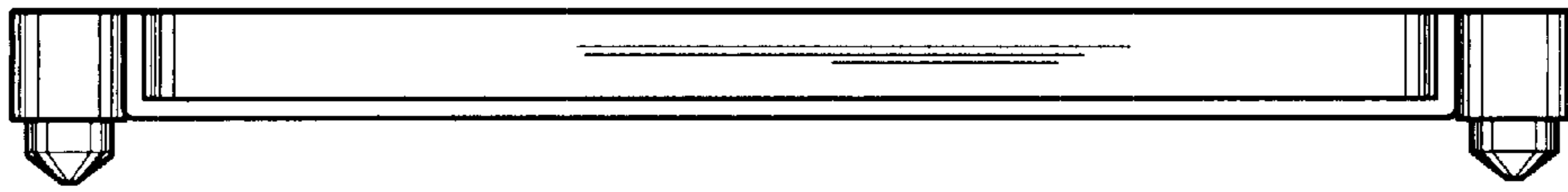


FIG. 2

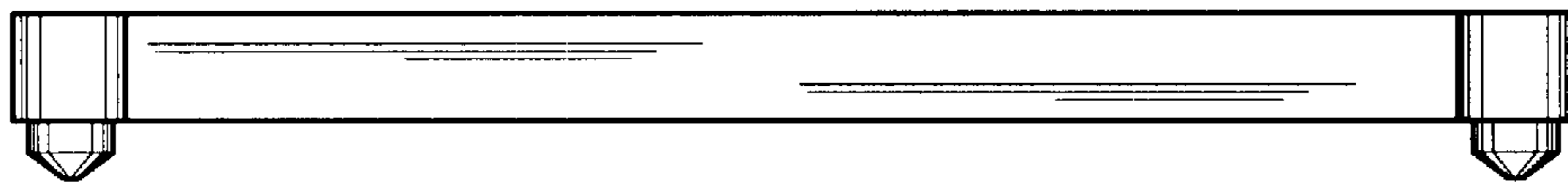


FIG. 3

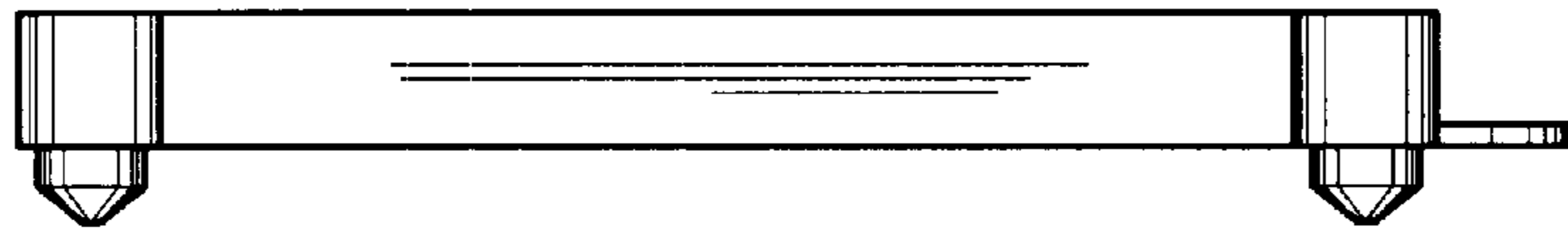


FIG. 4

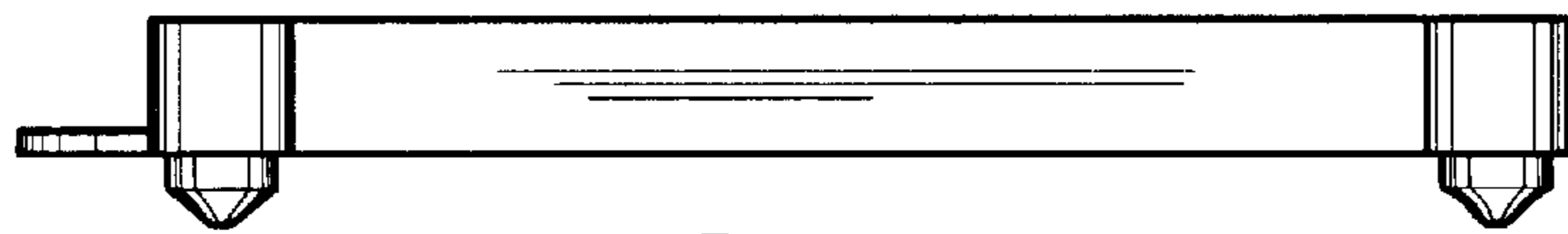


FIG. 5

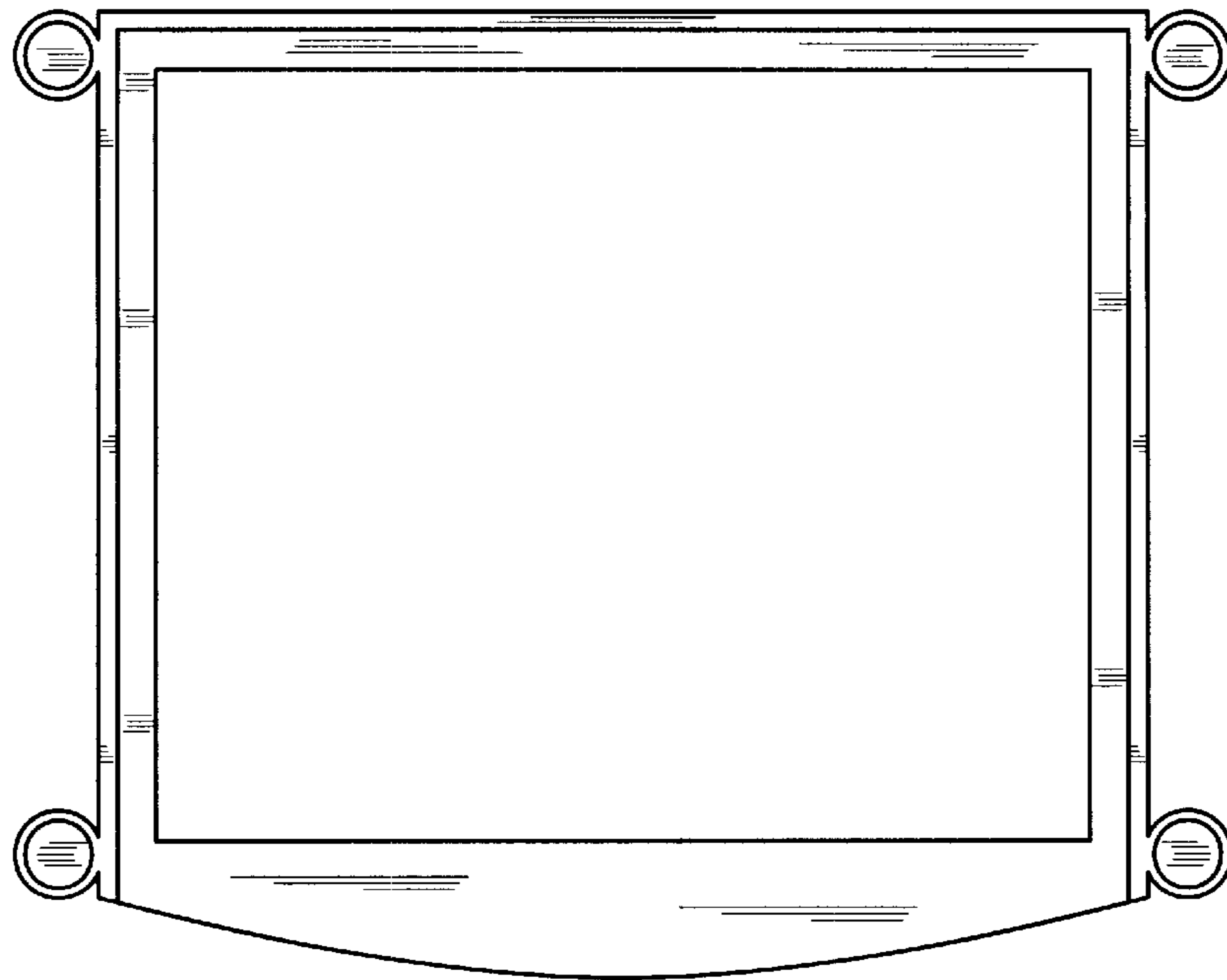


FIG. 6

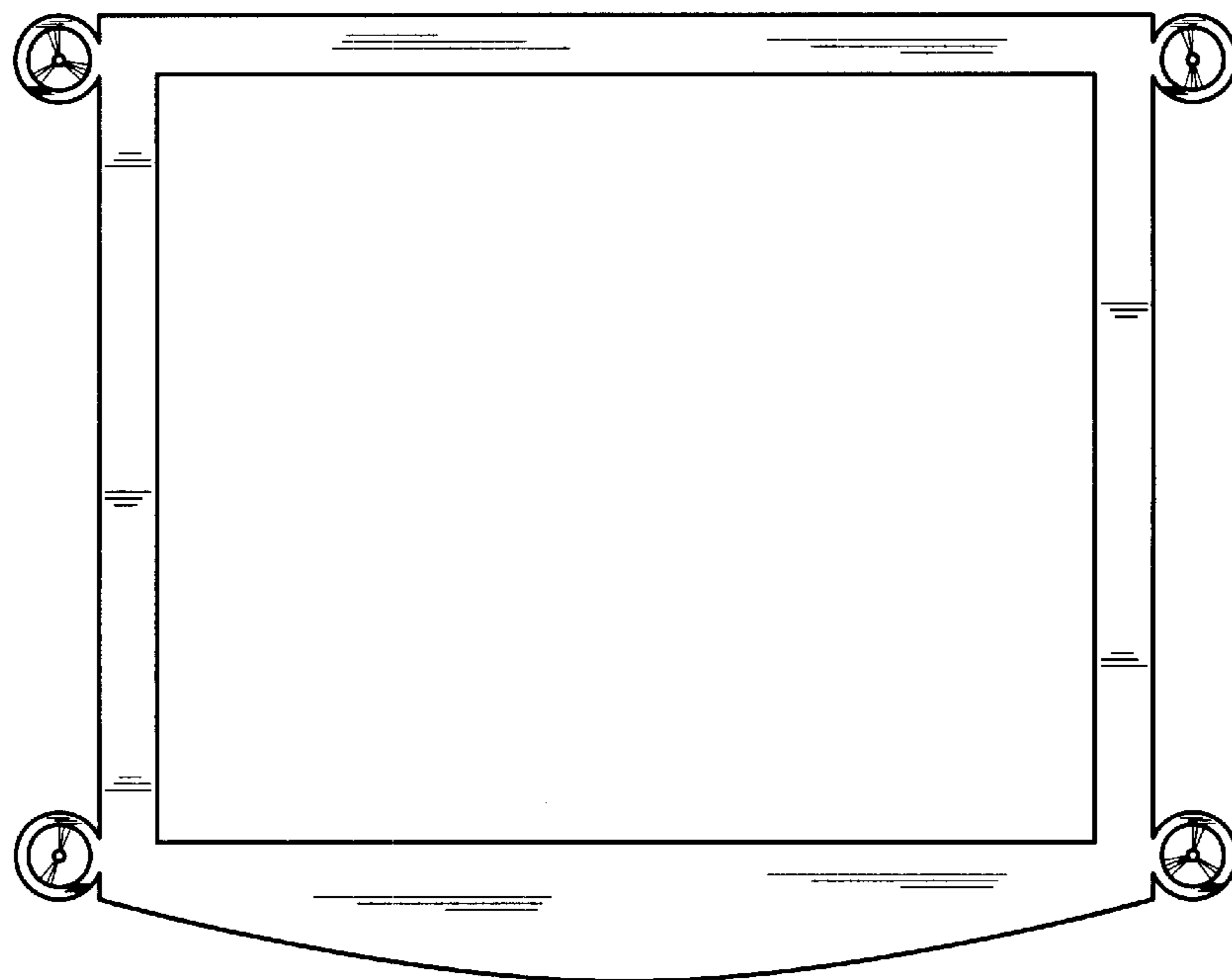


FIG. 7