



US00D482557S

(12) **United States Design Patent**  
**Shih**

(10) **Patent No.:** **US D482,557 S**

(45) **Date of Patent:** **\*\* Nov. 25, 2003**

(54) **HANGING RACK**

(76) **Inventor:** **Sung-Feng Shih**, No. 5, Hoping Lane,  
Manshin Tsun, Show Shui Hsiang,  
Chang Hua Hsien (TW)

(\*\*) **Term:** **14 Years**

(21) **Appl. No.:** **29/172,702**

(22) **Filed:** **Dec. 17, 2002**

(51) **LOC (7) Cl.** ..... **06-04**

(52) **U.S. Cl.** ..... **D6/553**

(58) **Field of Search** ..... D8/367, 373, 370;  
248/302-303, 339, 309.1; D6/523, 367,  
323

(56) **References Cited**

**U.S. PATENT DOCUMENTS**

- 4,650,144 A \* 3/1987 Conrad ..... 248/290.1
- D423,334 S \* 4/2000 Laga et al. .... D8/367
- D427,505 S \* 7/2000 Laga et al. .... D8/367
- D448,654 S \* 10/2001 Snell ..... D8/367

D469,341 S \* 1/2003 Knapp ..... D8/367

\* cited by examiner

*Primary Examiner*—Brian N. Vinson

(74) *Attorney, Agent, or Firm*—Harrison & Egbert

(57) **CLAIM**

I claim the ornamental design for a hanging rack, as shown and described.

**DESCRIPTION**

FIG. 1 is an upper perspective view of the hanging rack showing my design.

FIG. 2 is a front view thereof;

FIG. 3 is a back view thereof;

FIG. 4 is a side view thereof;

FIG. 5 is an opposite side view thereof;

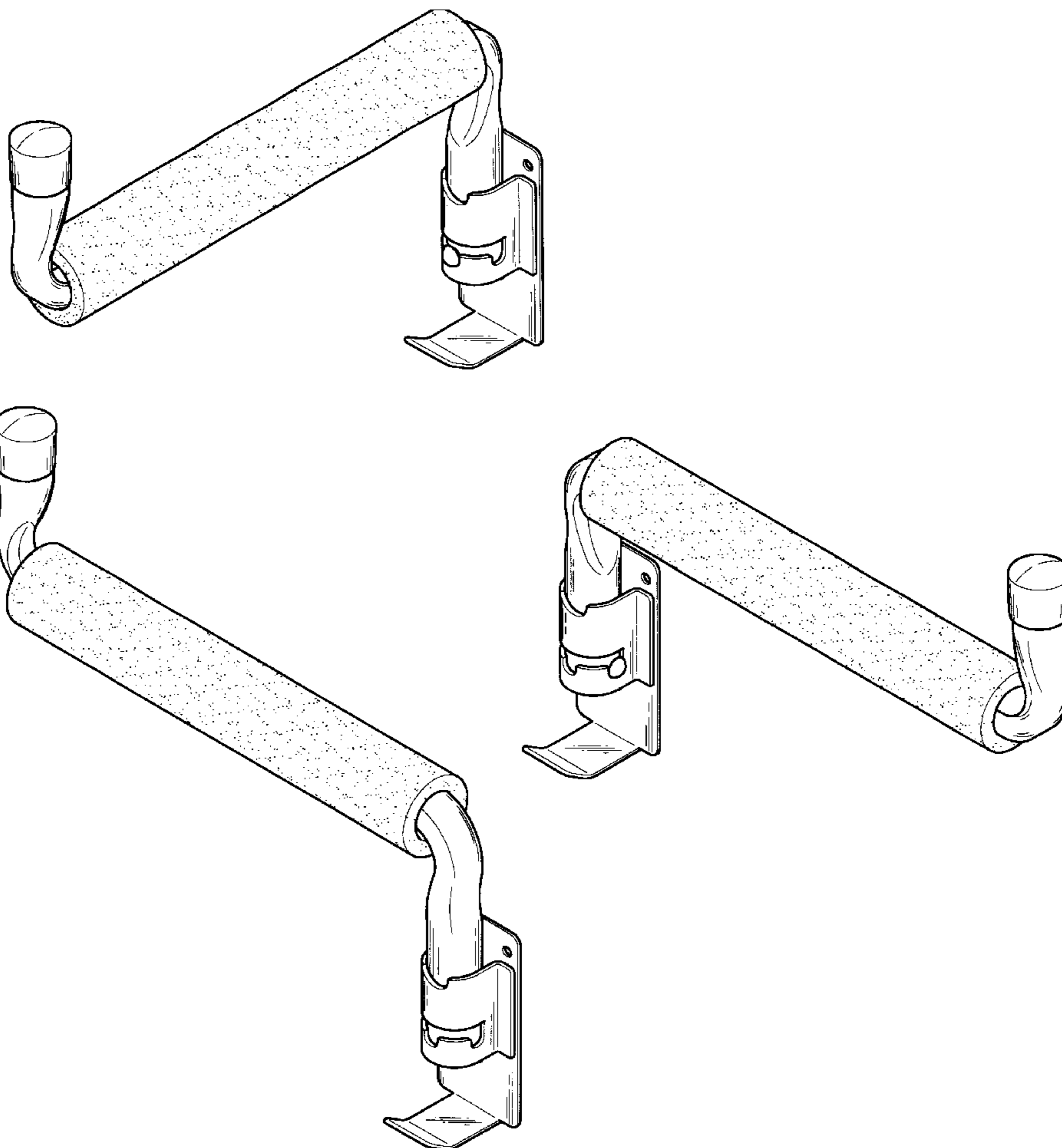
FIG. 6 is a top view thereof;

FIG. 7 is a bottom view thereof;

FIG. 8 is an upper perspective view thereof, showing a support rotated 90 degrees; and,

FIG. 9 is another upper perspective view thereof, showing the support rotated 90 degrees in the opposite direction.

**1 Claim, 6 Drawing Sheets**



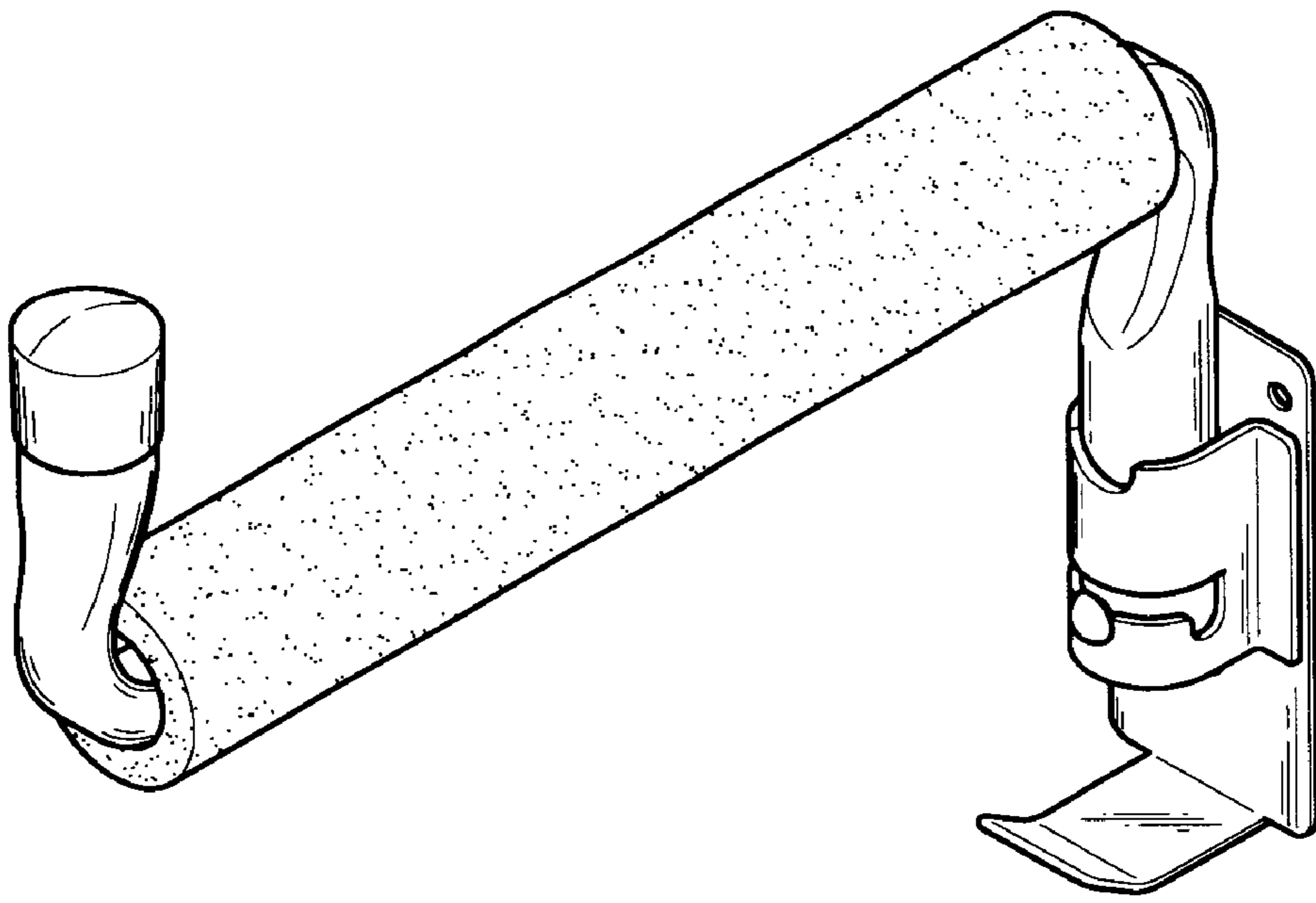


FIG. 1

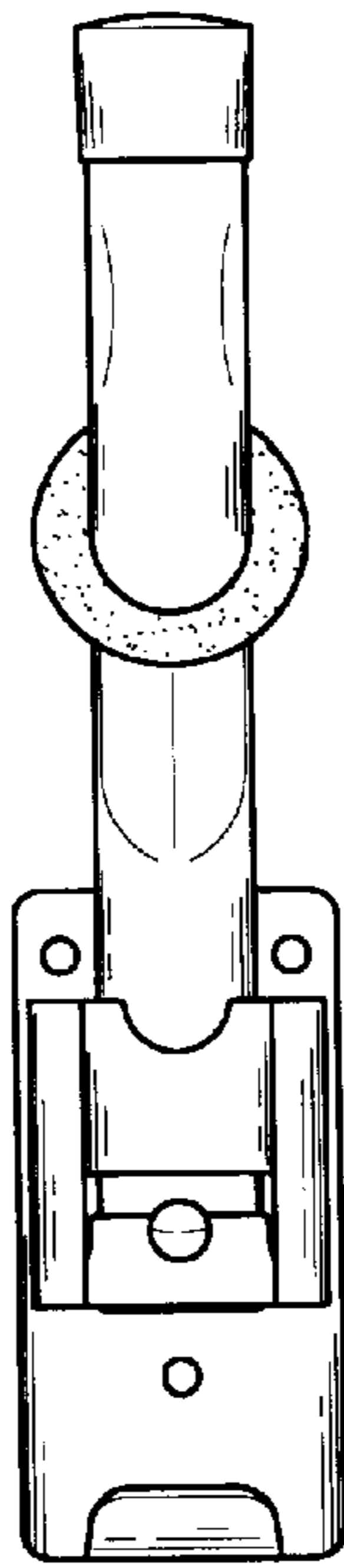


FIG. 2

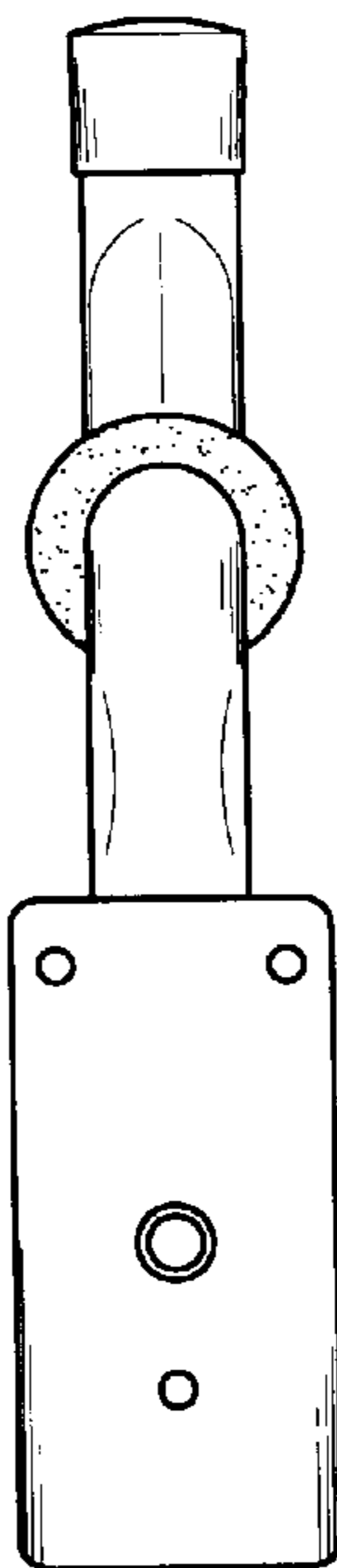


FIG. 3

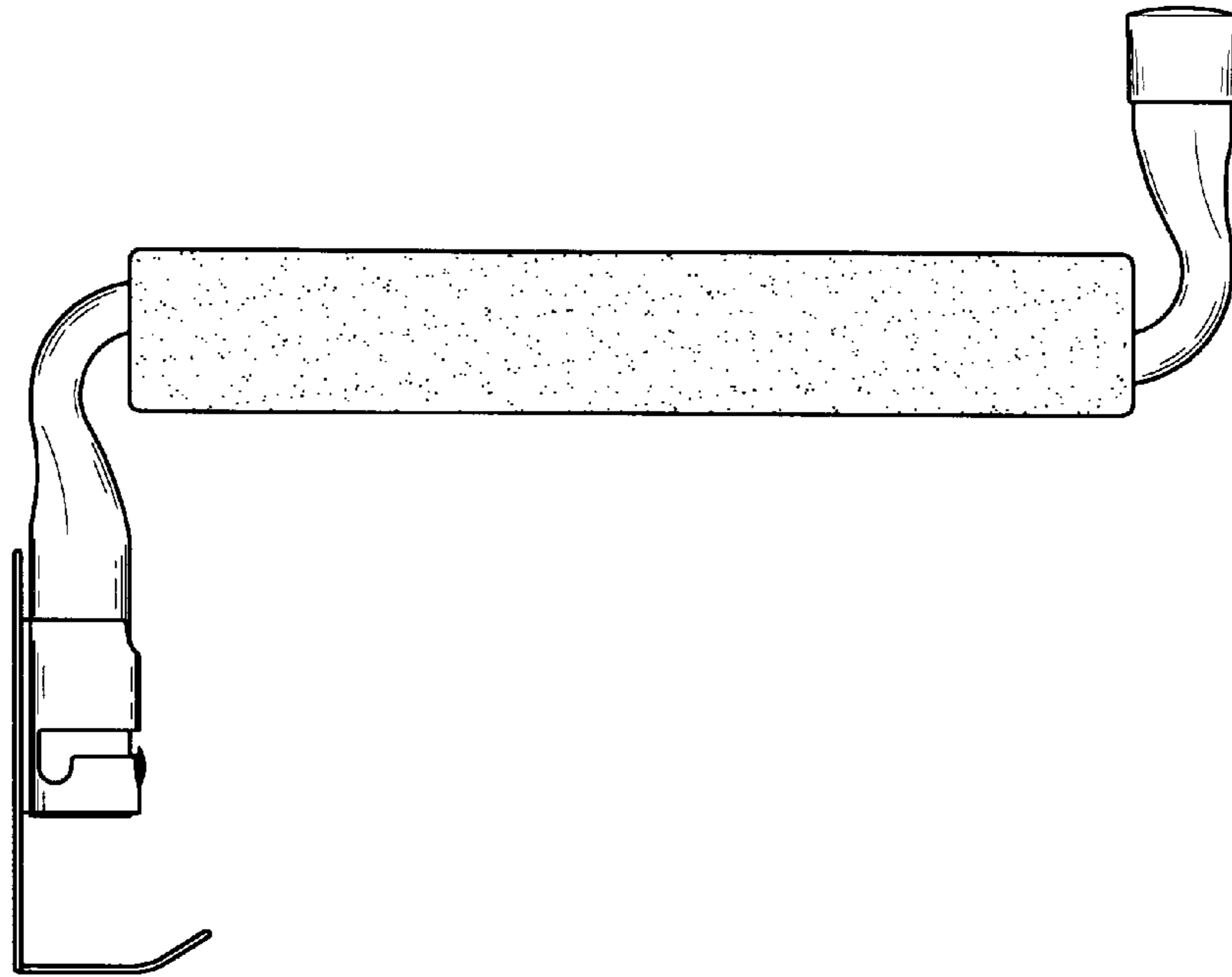


FIG. 4

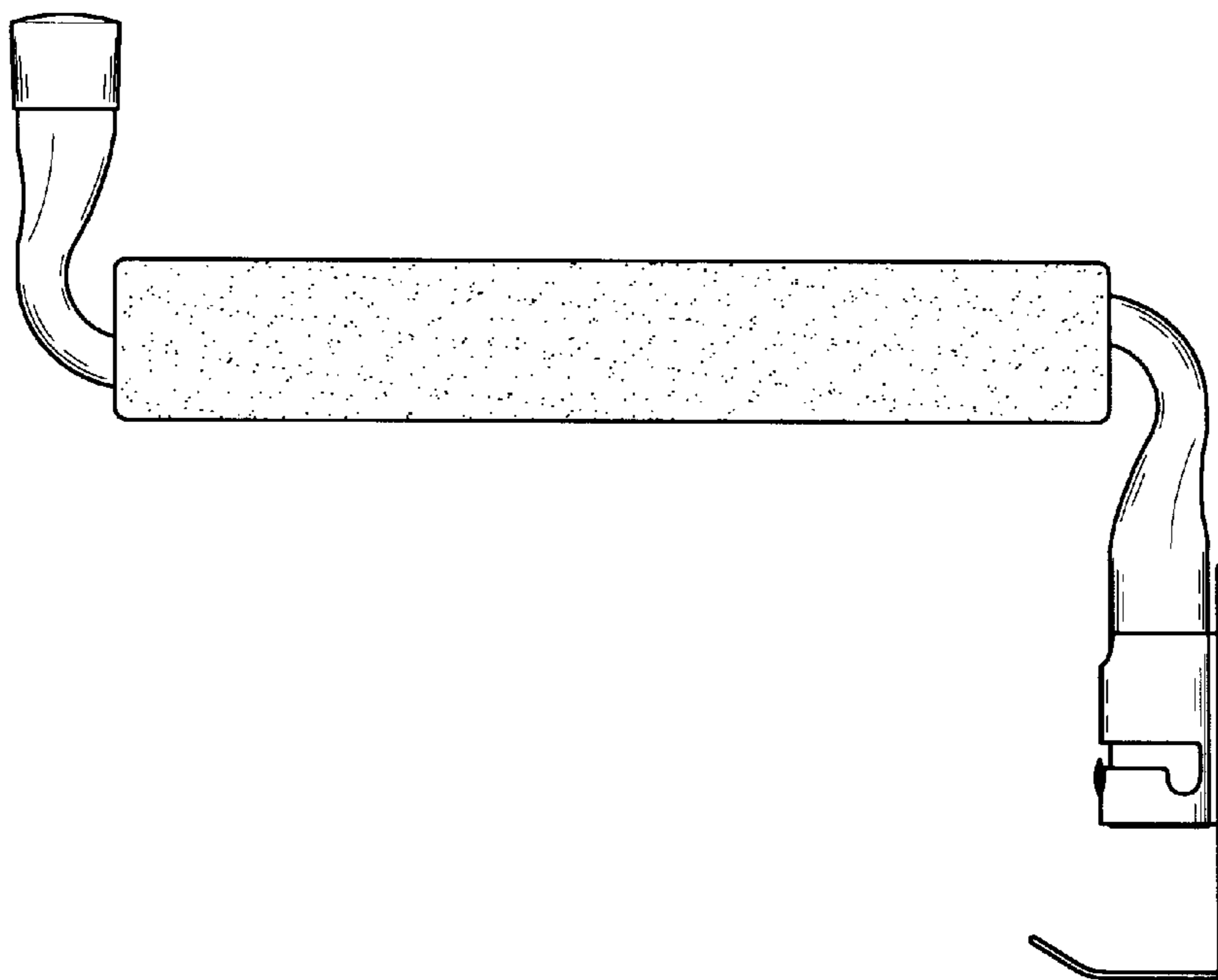


FIG. 5

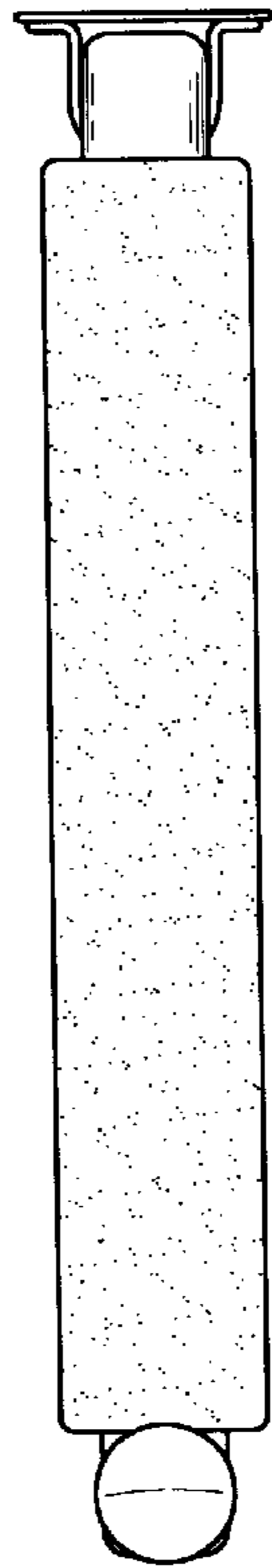


FIG. 6

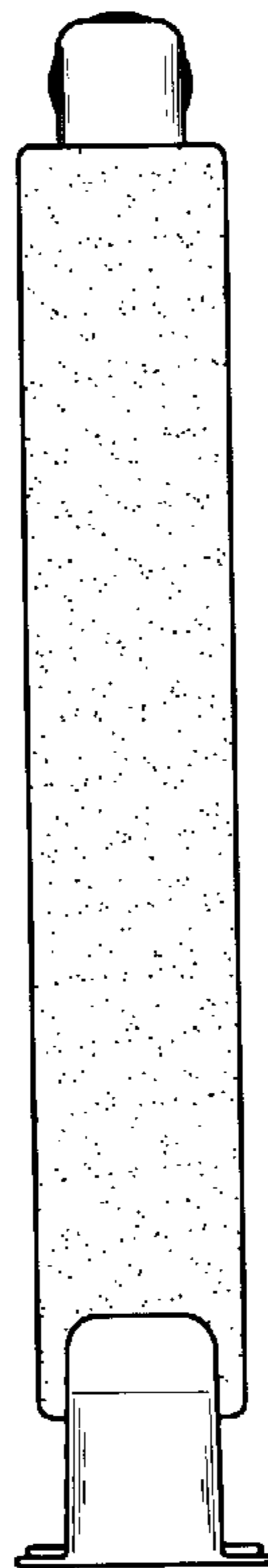


FIG. 7

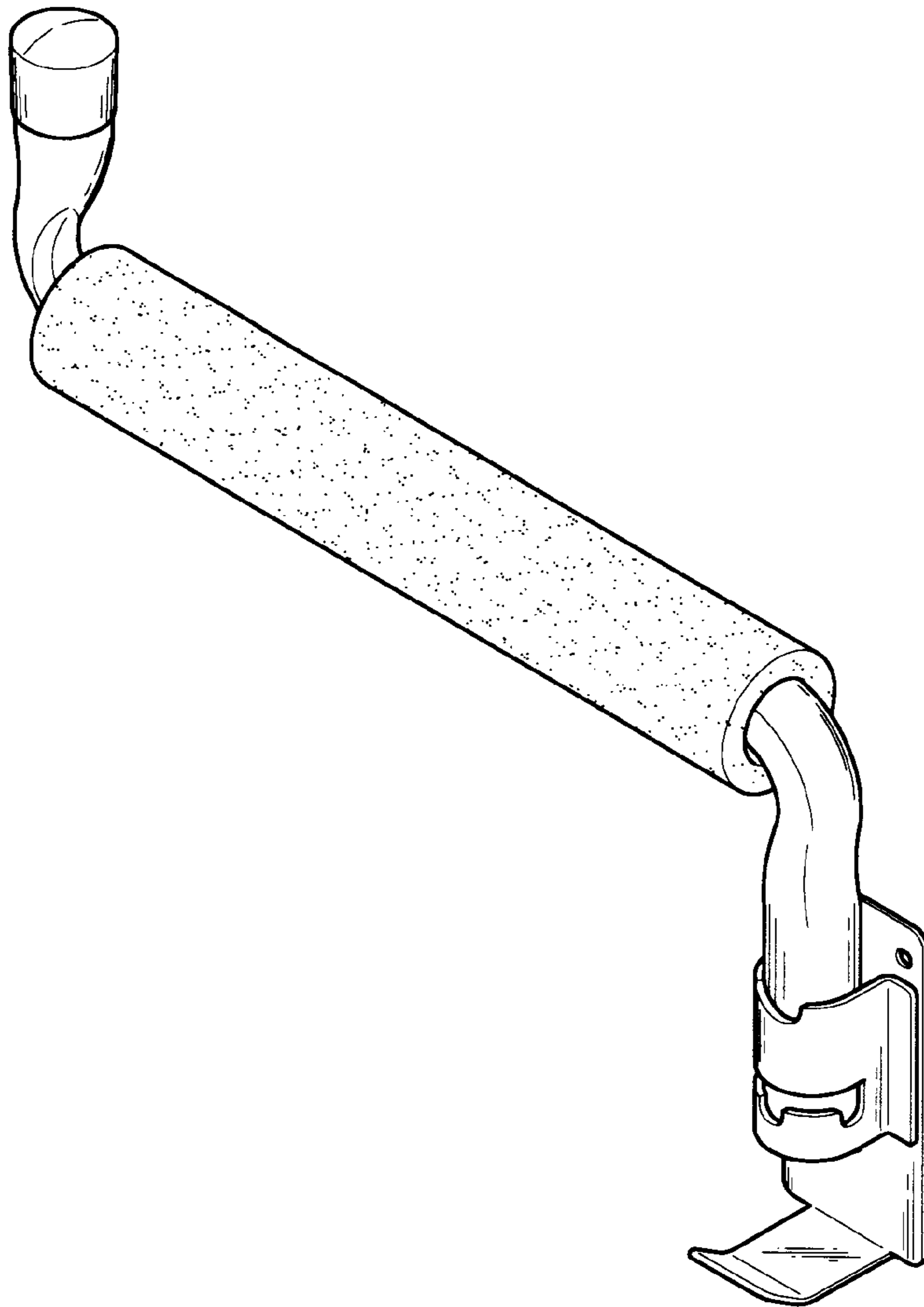


FIG.8

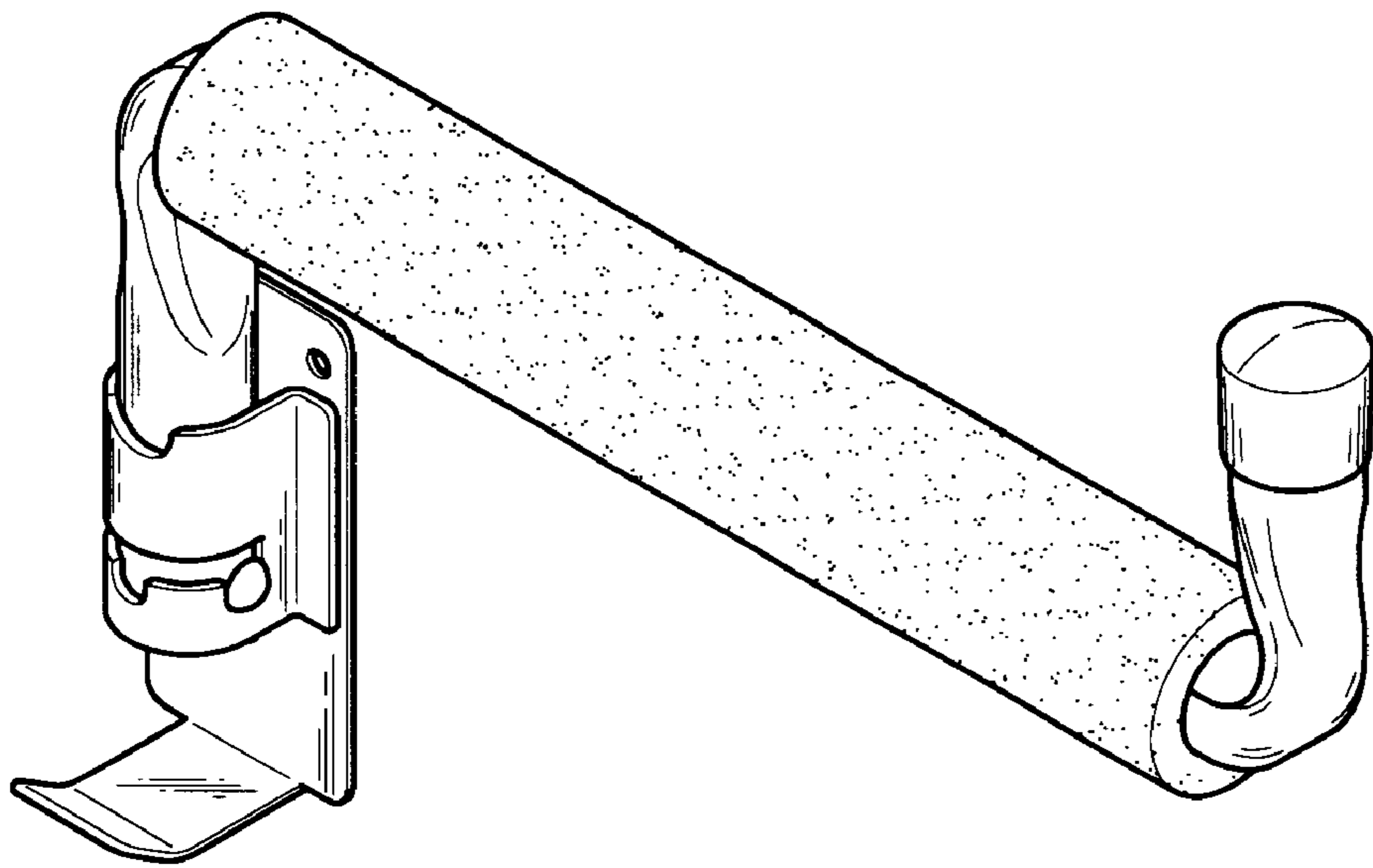


FIG.9