



US00D482552S

(12) **United States Design Patent**
Campbell et al.

(10) **Patent No.:** **US D482,552 S**

(45) **Date of Patent:** **** Nov. 25, 2003**

- (54) **INSERT FOR A DISPLAY PANEL**
- (75) Inventors: **Rodney S. Campbell, Dover, OH (US);**
Randy Breyer, Dover, OH (US)
- (73) Assignee: **Commercial and Architectural**
Products, Inc., Dover, OH (US)
- (**) Term: **14 Years**

5,484,067 A	1/1996	Sothman	211/87
D405,544 S	* 2/1999	Magnusson et al.	D25/121
D414,567 S	9/1999	Burt et al.	D25/123
6,065,262 A	5/2000	Motta	52/582.1
D426,089 S	* 6/2000	Vlah	D6/491
D444,577 S	7/2001	Neuhofer, Jr.	D25/138
6,325,223 B1	* 12/2001	Hannen	211/87.01
6,363,645 B1	* 4/2002	Hunter	40/618
D461,657 S	* 8/2002	Magnusson	D6/491
D467,094 S	* 12/2002	Bodzioch	D6/410

- (21) Appl. No.: **29/158,345**
- (22) Filed: **Apr. 3, 2002**

- (51) **LOC (7) Cl.** **06-04**
- (52) **U.S. Cl.** **D6/509; D25/121**
- (58) **Field of Search** D6/449, 467, 468,
D6/491, 509, 511; D25/119, 124, 121, 123;
40/618; 211/87.01, 89.01, 94.01; 248/224.61

* cited by examiner

Primary Examiner—Cathron Brooks
(74) *Attorney, Agent, or Firm*—Pearne & Gordon LLP

(57) **CLAIM**

The ornamental design for an insert for a display panel, as shown and described.

(56) **References Cited**

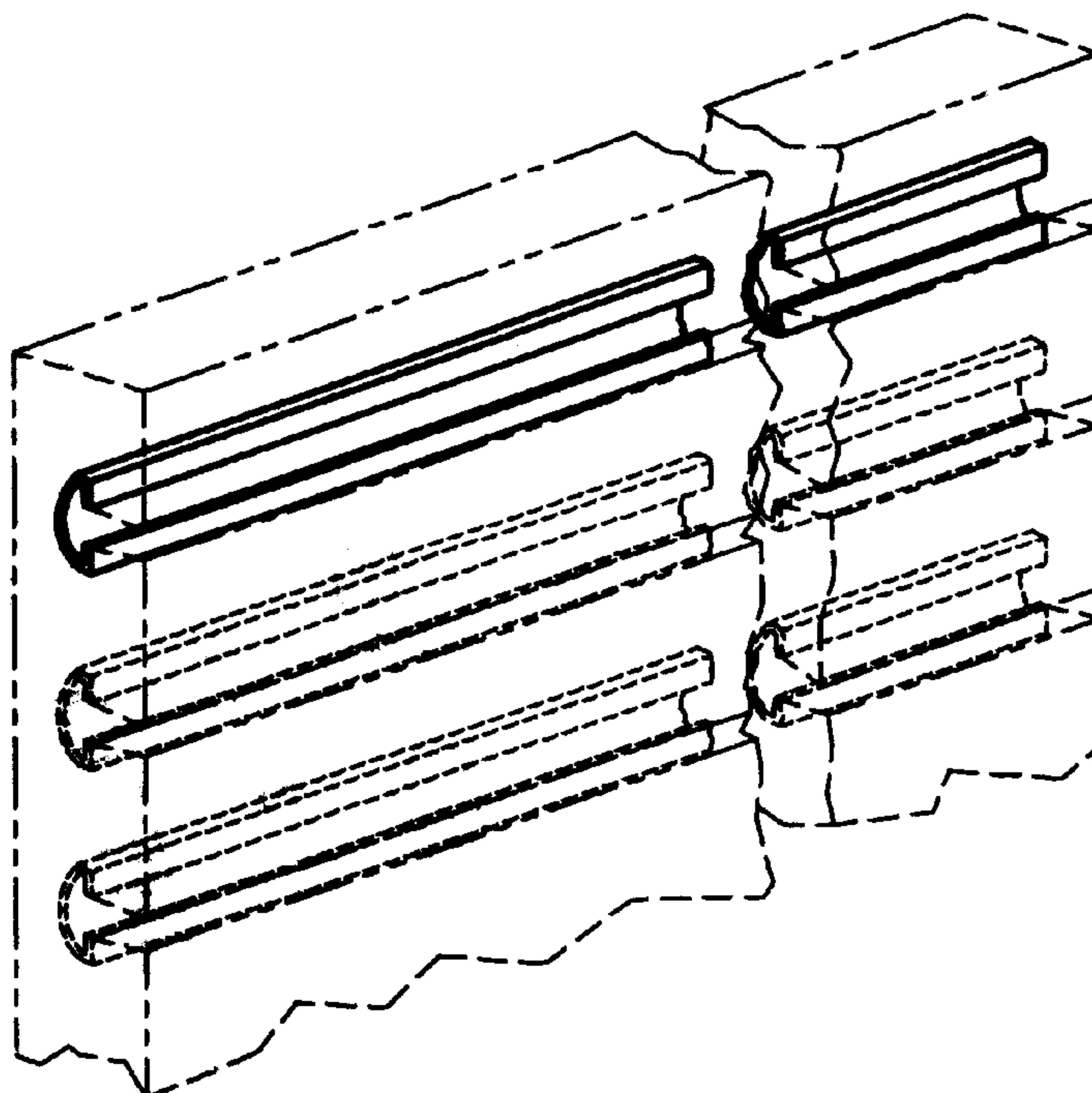
U.S. PATENT DOCUMENTS

D47,724 S	* 8/1915	Huelings, Jr.	D25/121
2,643,840 A	6/1953	Lanman	
D185,678 S	* 7/1959	McEvoy et al.	D25/123
D200,702 S	* 3/1965	Huret	D25/121
3,235,218 A	2/1966	Graham	
3,296,751 A	* 1/1967	Heirich	52/38
3,452,501 A	* 7/1969	Zimmer et al.	D25/131 X
3,502,222 A	3/1970	Crafoord	211/40
4,591,058 A	5/1986	Amstutz et al.	211/94
4,615,448 A	* 10/1986	Johnstonbaugh	211/94.01
4,817,900 A	4/1989	Whittington et al.	248/225.1
4,844,266 A	7/1989	Small et al.	211/88
4,944,416 A	7/1990	Petersen et al.	211/87
5,018,323 A	* 5/1991	Clausen	211/87.01 X
5,360,121 A	11/1994	Sothman	211/87

DESCRIPTION

FIG. 1 is a perspective view of an insert for a display panel showing our new design;
 FIG. 2 is a perspective view thereof;
 FIG. 3 is a front elevational view thereof;
 FIG. 4 is a side elevational view thereof;
 FIG. 5 is a top plan view thereof, the bottom plan view being identical; and,
 FIG. 6 is a rear elevational view thereof.
 The insert for a display panel is shown broken along the length to indicate indeterminate length.
 The broken-line disclosure of elements in the views is for illustrative purposes only and forms no part of the claimed design.

1 Claim, 1 Drawing Sheet



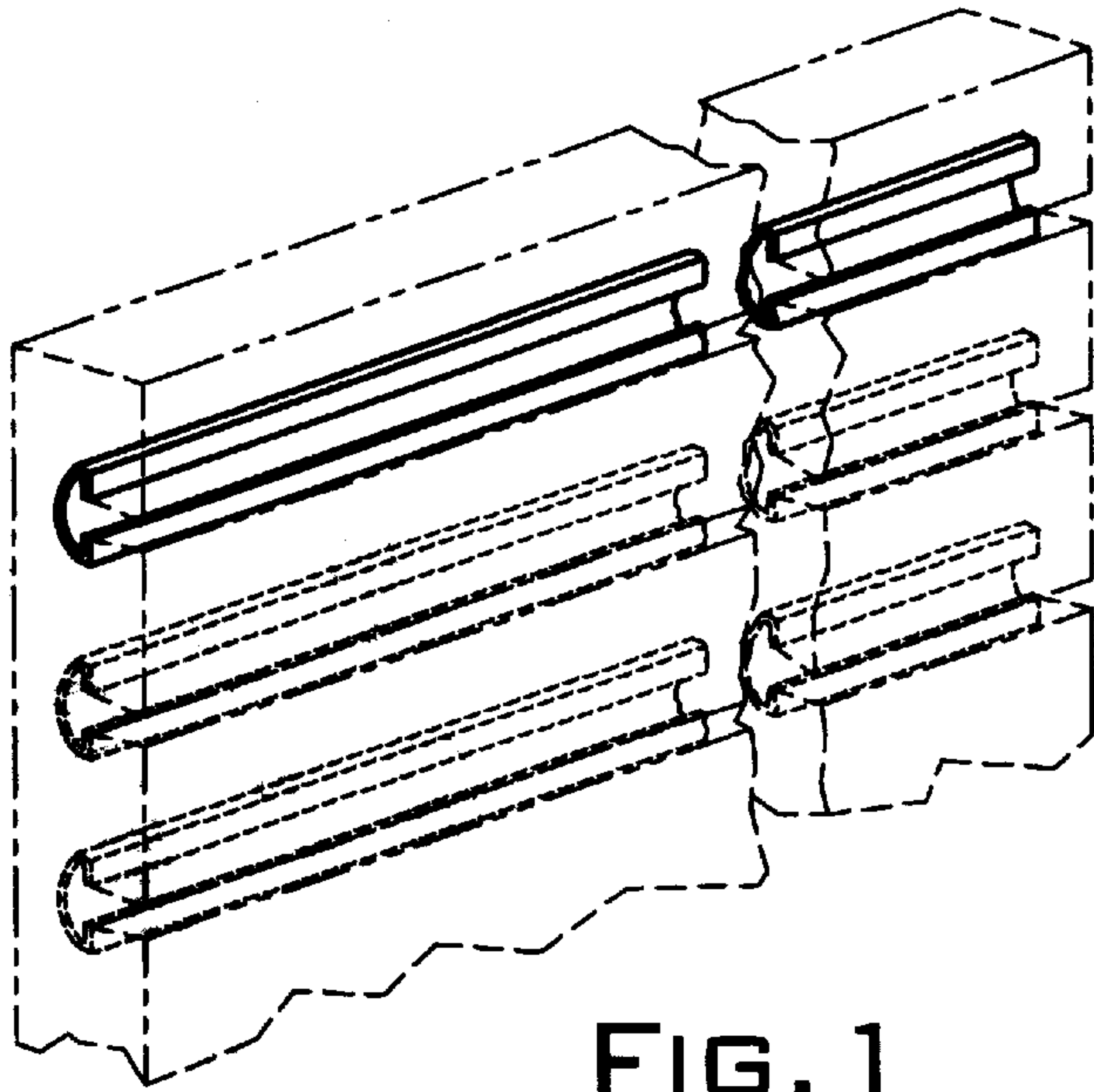


FIG. 1

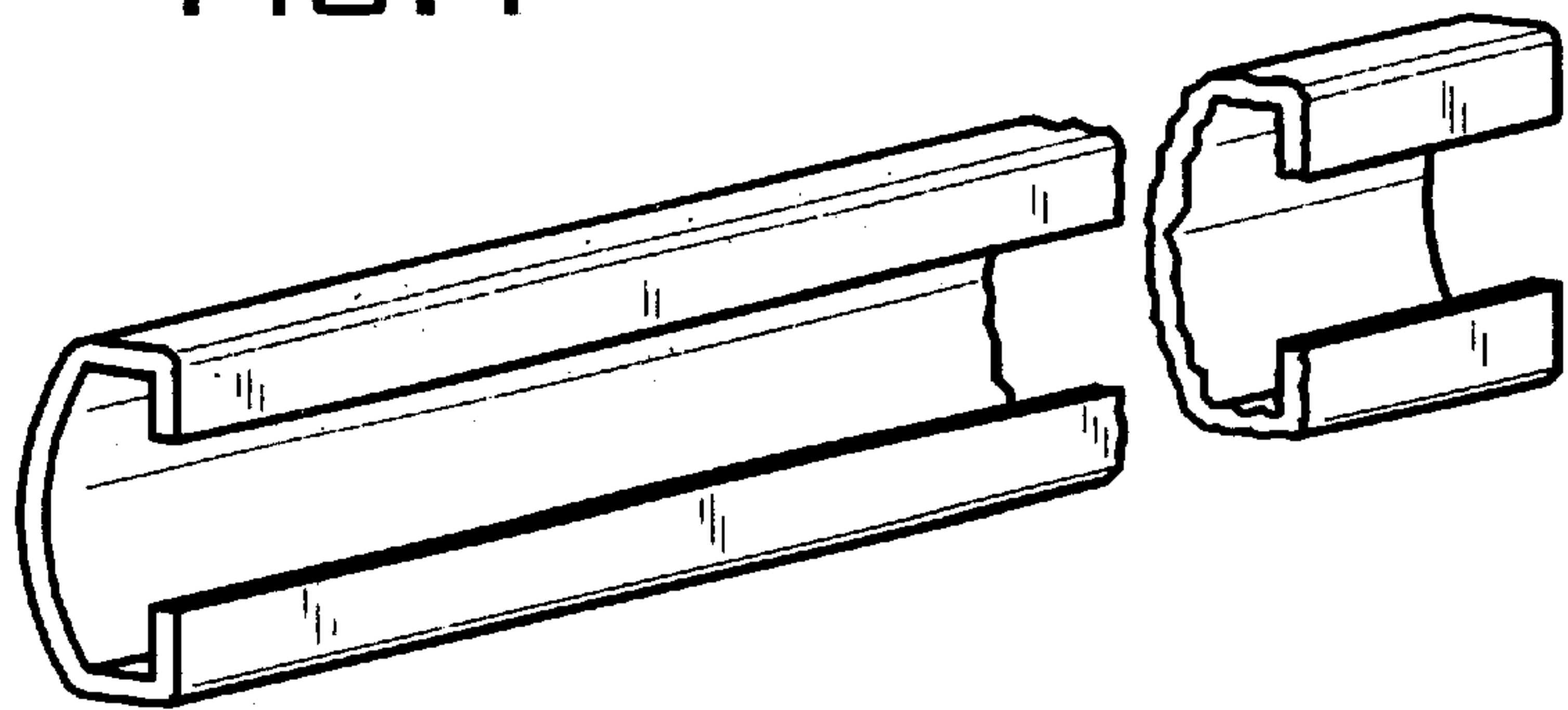


FIG. 2

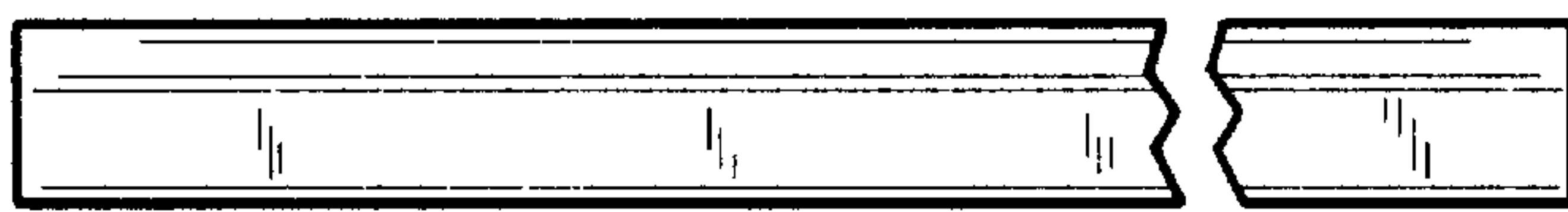


FIG. 5

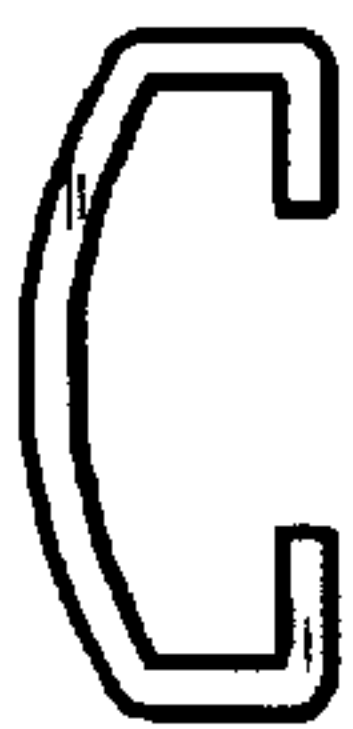


FIG. 4

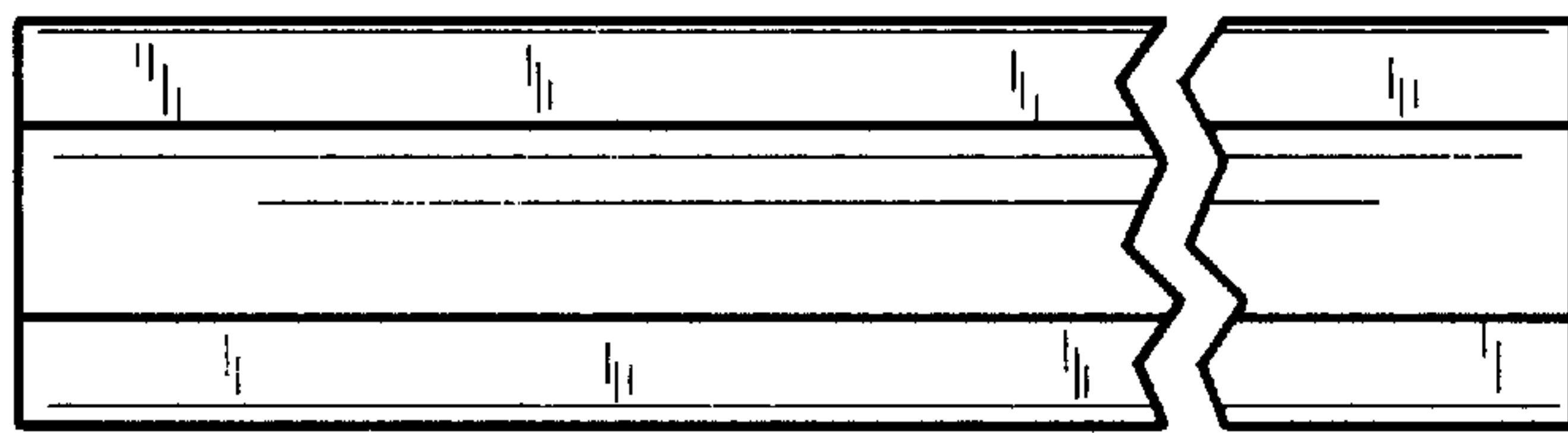


FIG. 3

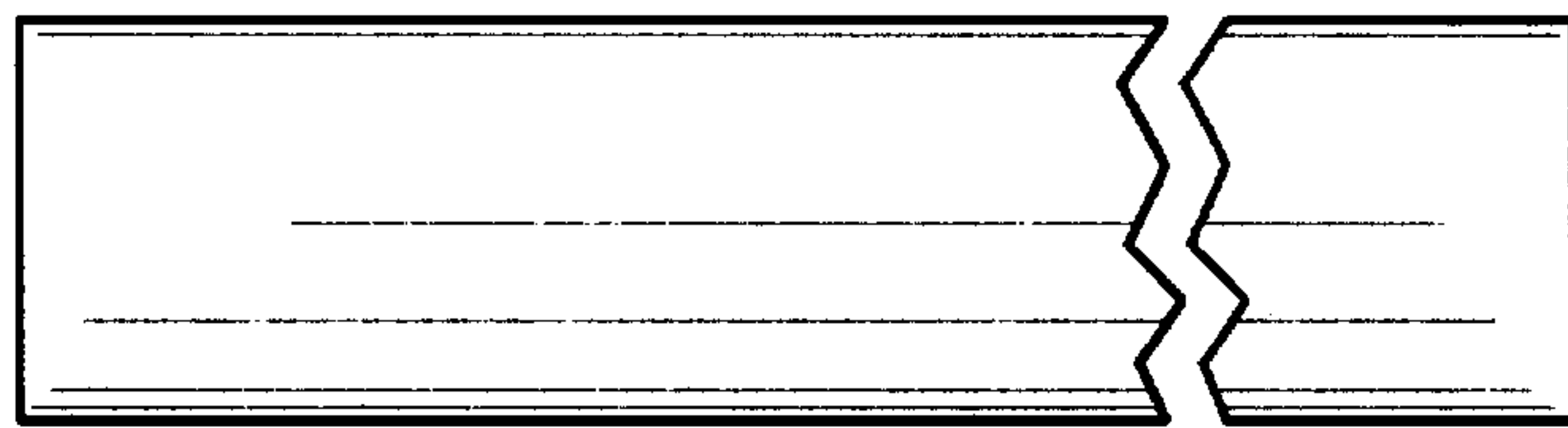


FIG. 6