



US00D482551S

(12) **United States Design Patent**  
**Burke**

(10) **Patent No.:** **US D482,551 S**

(45) **Date of Patent:** **\*\* Nov. 25, 2003**

(54) **CHAIR BACK**

(76) **Inventor:** **John K. Burke**, 158 Wadsworth Ave.,  
Santa Monica, CA (US) 90405-3510

(\*\*) **Term:** **14 Years**

(21) **Appl. No.:** **29/154,258**

(22) **Filed:** **Nov. 4, 2001**

(51) **LOC (7) Cl.** ..... **06-06**

(52) **U.S. Cl.** ..... **D6/502**

(58) **Field of Search** ..... D6/334, 335, 336,  
D6/337, 369, 370, 374, 480, 481, 484,  
490, 500-502; 297/118, 157.1, 158.3, 158.4,  
159.1, 239, 446.1; 108/153.1, 155, 156,  
157.1, 161

(56) **References Cited**

**U.S. PATENT DOCUMENTS**

3,479,083	A	*	11/1969	Lafer	.....	297/118
3,536,356	A	*	10/1970	Wilson	.....	297/239
D227,959	S	*	7/1973	Chapin	.....	D6/380
D249,216	S	*	9/1978	Blaser	.....	D6/490
D334,099	S	*	3/1993	Yeh	.....	D6/370
D407,245	S	*	3/1999	Lewis	.....	D6/484
D407,912	S	*	4/1999	Walters et al.	.....	D6/380
D412,255	S	*	7/1999	Lewis	.....	D6/484

**OTHER PUBLICATIONS**

Chair #1 and Table #2, p. 86, Domus catalog Jul./Aug. 1997.\*

C. The Single Claimed Design JAVA Dining Room, no p. #, Storehouse catalog Jan./Feb. 2001.\*

The chair for design purists., no p. #, Design with Reach catalog.\*

Italian dining room set, p. 34, Furniture Toady catalog Apr. 16, 2001.\*

\* cited by examiner

*Primary Examiner*—Doris V. Coles

*Assistant Examiner*—Mimosa De

(74) *Attorney, Agent, or Firm*—Sierra Patent Group, Ltd.

(57) **CLAIM**

The ornamental design for a chair back, as shown and described.

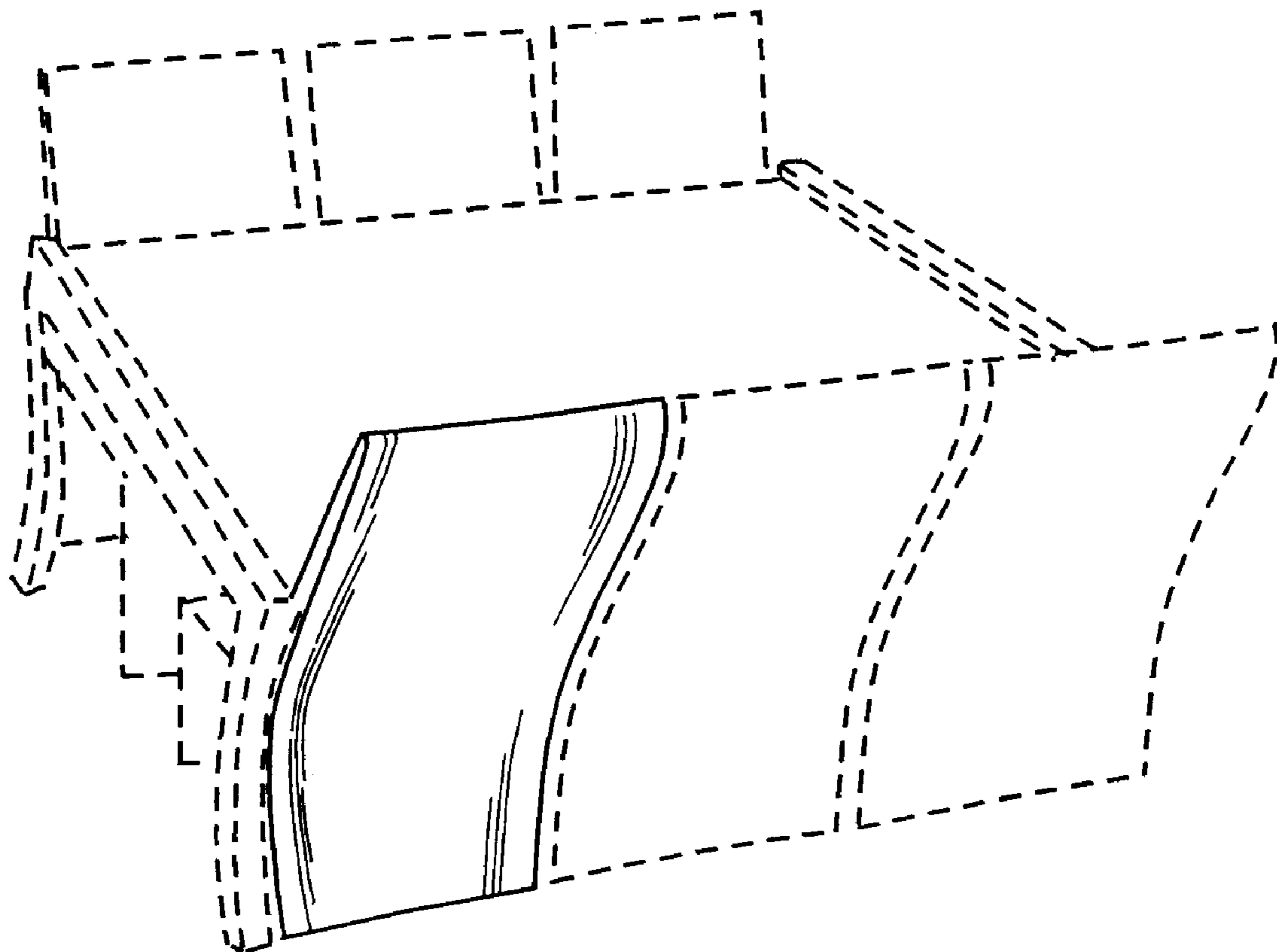
**DESCRIPTION**

FIG. 1 is a perspective view of a chair back showing my new design; and,

FIG. 2 is a side view thereof with the chair pulled out from one side of the table.

The broken lines shown in the drawing are for illustrative purposes only and form no part of the claimed design.

**1 Claim, 1 Drawing Sheet**



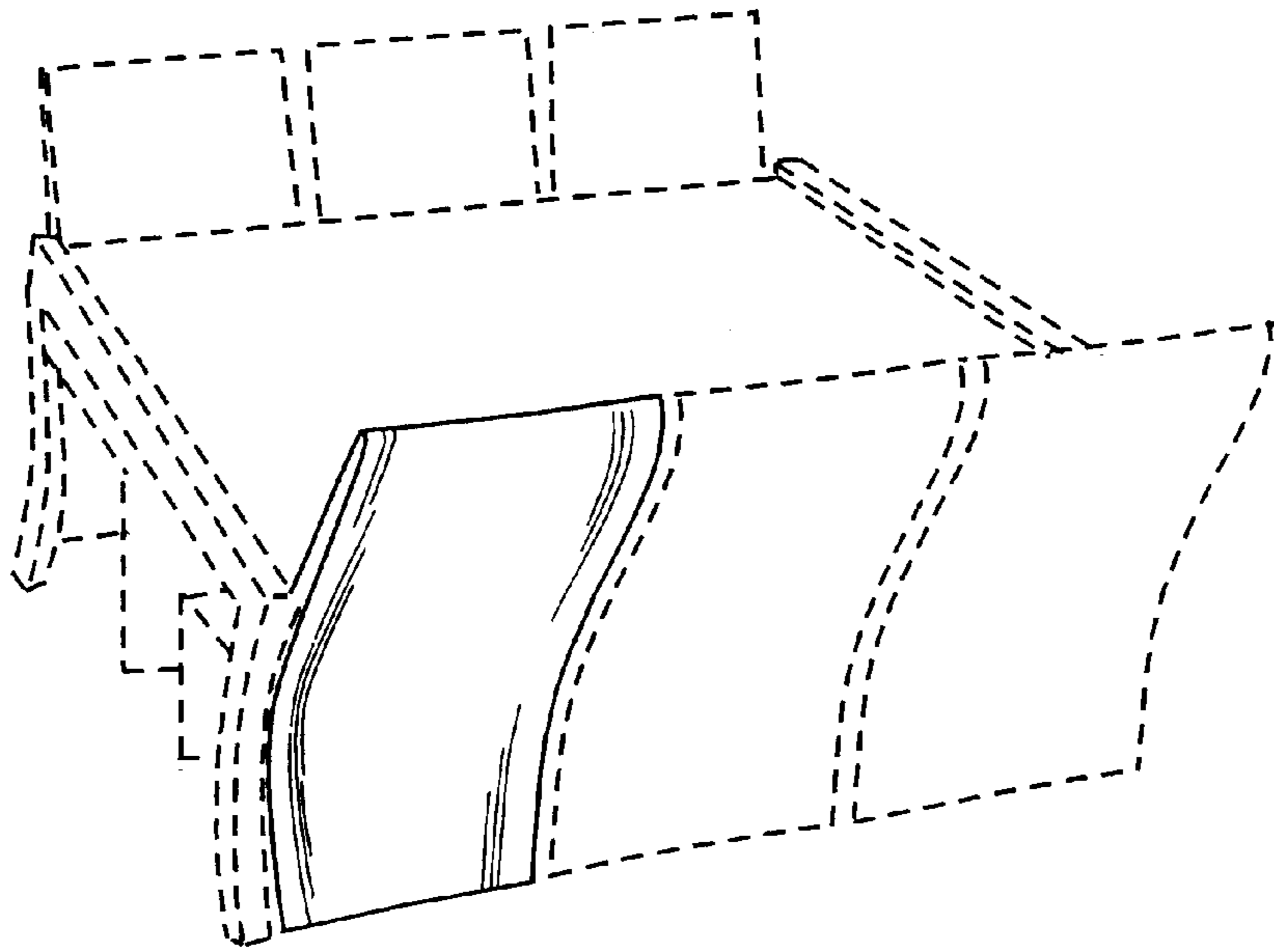


Figure 1

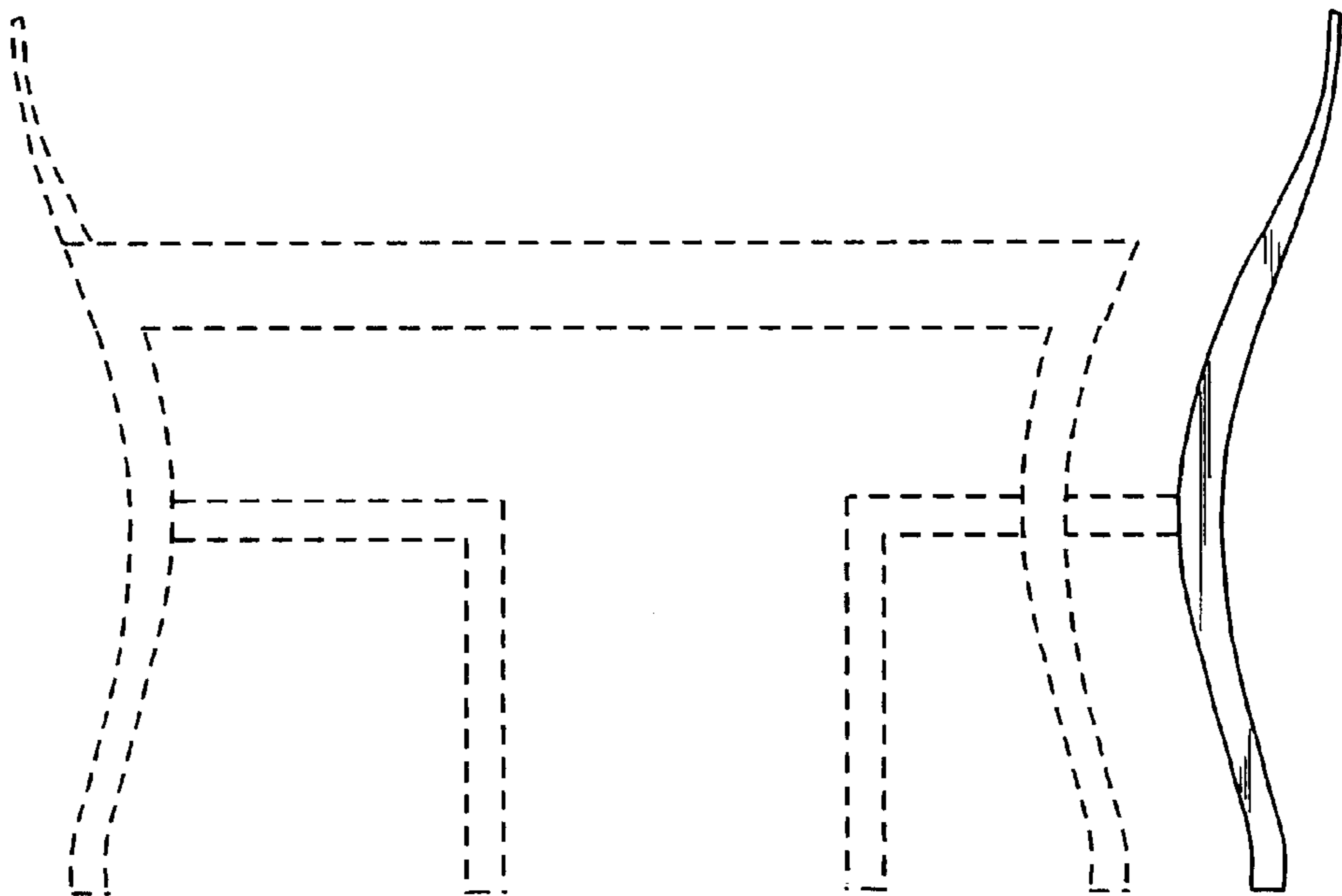


Figure 2