



US00D482550S

(12) **United States Design Patent**
Kane

(10) **Patent No.:** **US D482,550 S**

(45) **Date of Patent:** **** Nov. 25, 2003**

(54) **BENCH**

(75) Inventor: **Brian J. Kane**, San Francisco, CA (US)

(73) Assignee: **Landscape Forms, Inc.**, Kalamazoo, MI (US)

(**) Term: **14 Years**

(21) Appl. No.: **29/170,415**

(22) Filed: **Nov. 6, 2002**

(51) **LOC (7) Cl.** **06-06**

(52) **U.S. Cl.** **D6/500; D6/381**

(58) **Field of Search** D6/334, 335, 369,
D6/370, 381, 500, 501, 502; 297/232, 452.63,
452.64

(56) **References Cited**

U.S. PATENT DOCUMENTS

D344,200 S	*	2/1994	Schwartz	D6/500
D447,882 S	*	9/2001	Kane	D6/375
D469,619 S	*	2/2003	Stewart	D6/370
D470,669 S	*	2/2003	Stewart	D6/370

OTHER PUBLICATIONS

Interiors, p. 222, Bench by Kroin near bottom left, May 1989.*

Sweet's Catalog: "A Wood Group", FairWeather Site Furnishings, www.fairweathers.com (pp. 8-9), 2002.

"woodbench classics", Landscape Forms, Inc., Kalamazoo, MI (4pp), 2002.

* cited by examiner

Primary Examiner—Gary D. Watson

(74) *Attorney, Agent, or Firm*—Heslin Rothenberg Farley & Mesiti P.C.

(57) **CLAIM**

The ornamental design for a bench, as shown and described.

DESCRIPTION

FIG. 1 is an isometric view of the bench of my new design;

FIG. 2 is a top plan view thereof;

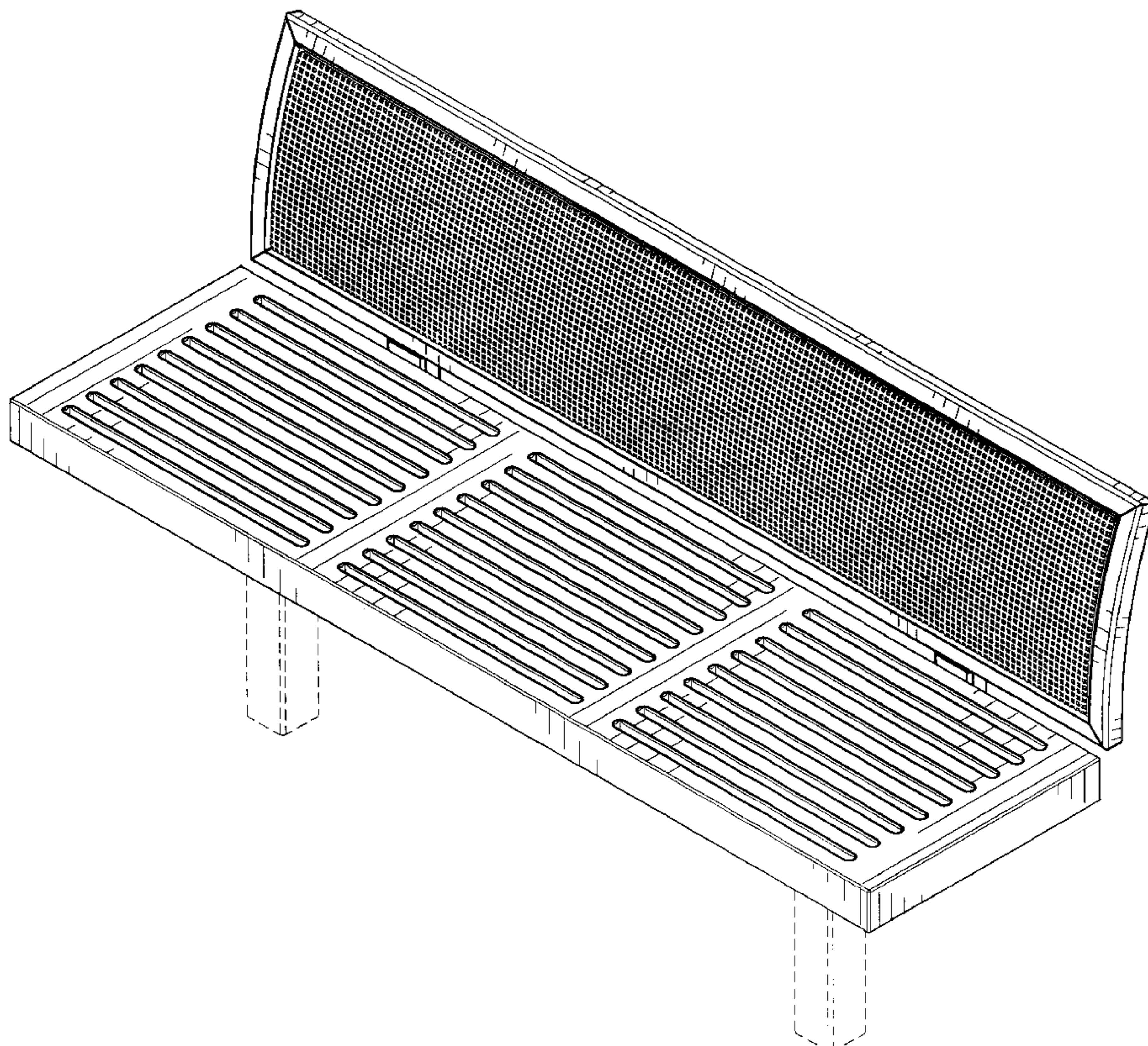
FIG. 3 is a front elevational view thereof;

FIG. 4 is a left side elevational view thereof, the right side elevational view being a mirror image thereof; and,

FIG. 5 is a back elevational view thereof.

The broken line showing in the drawing figures is for illustrative purposes only and forms no part of the claimed design.

1 Claim, 5 Drawing Sheets



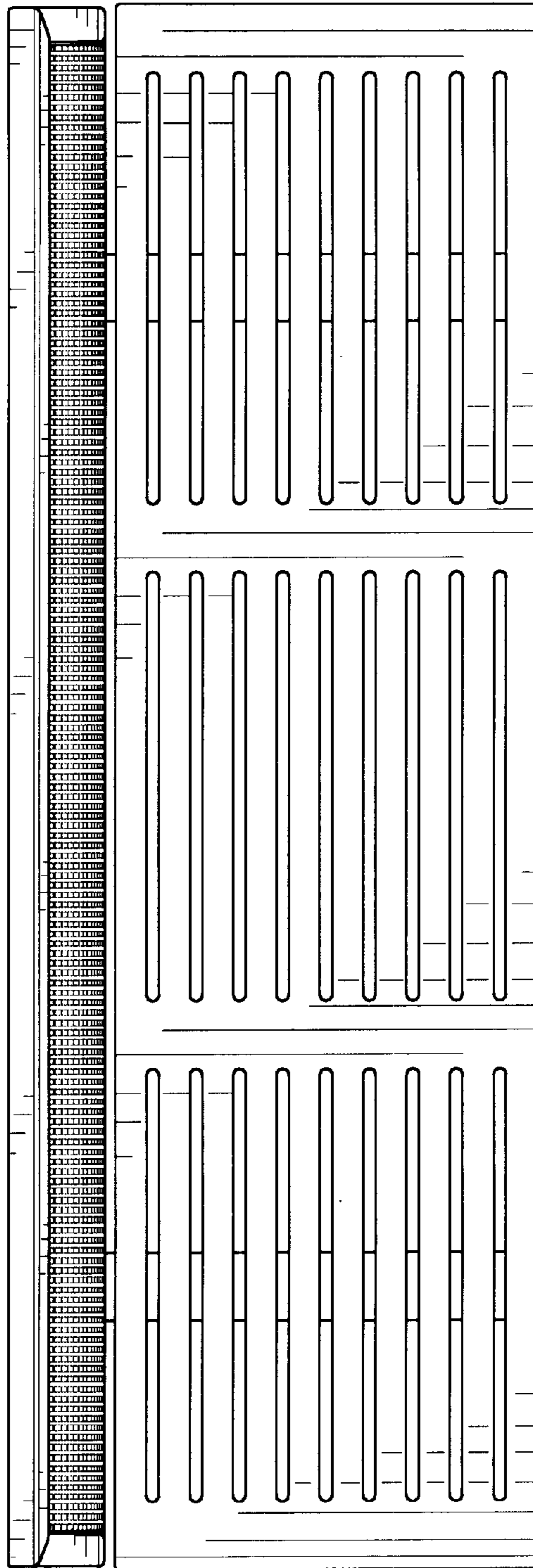


FIG. 2

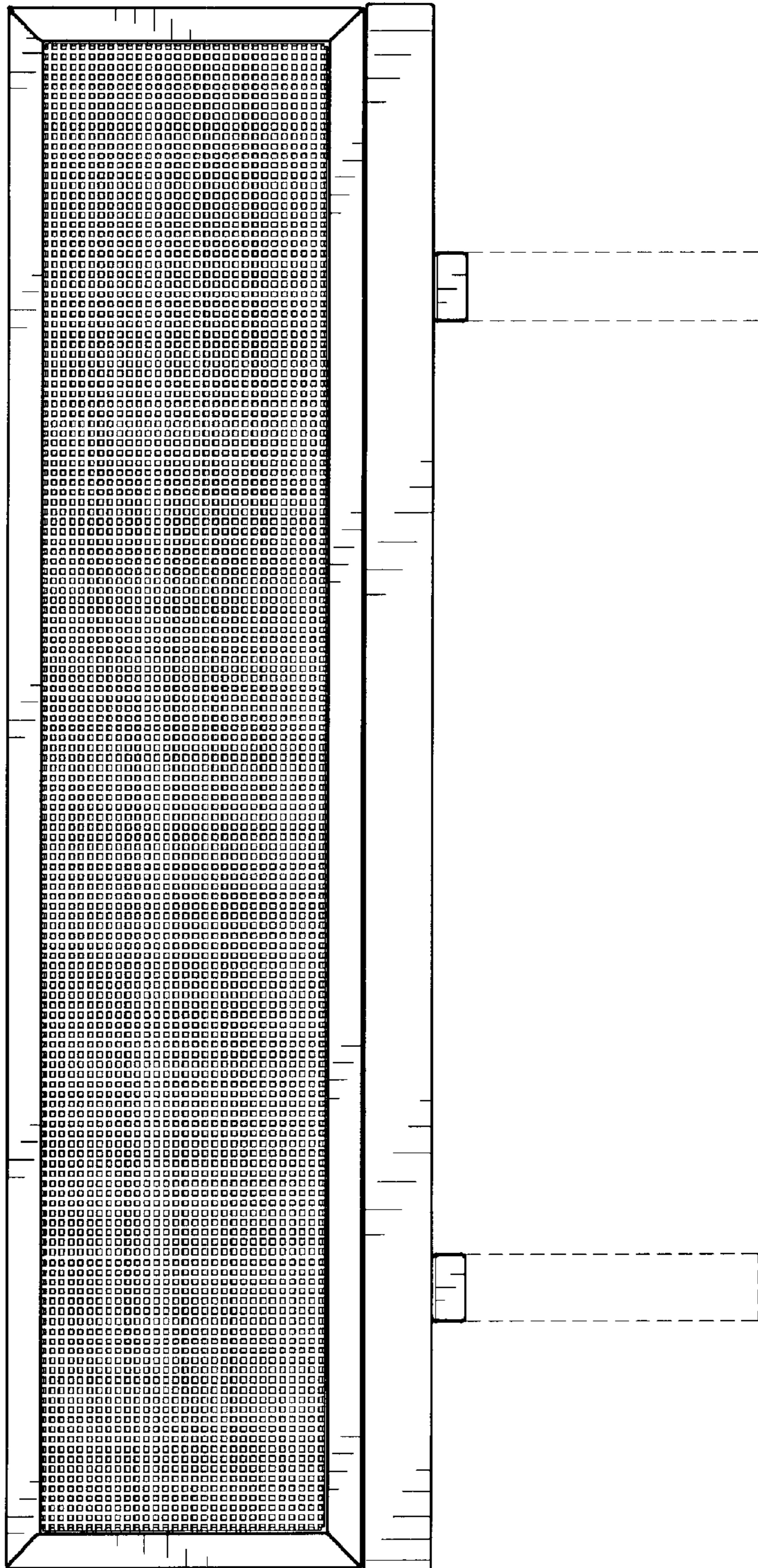


FIG. 3

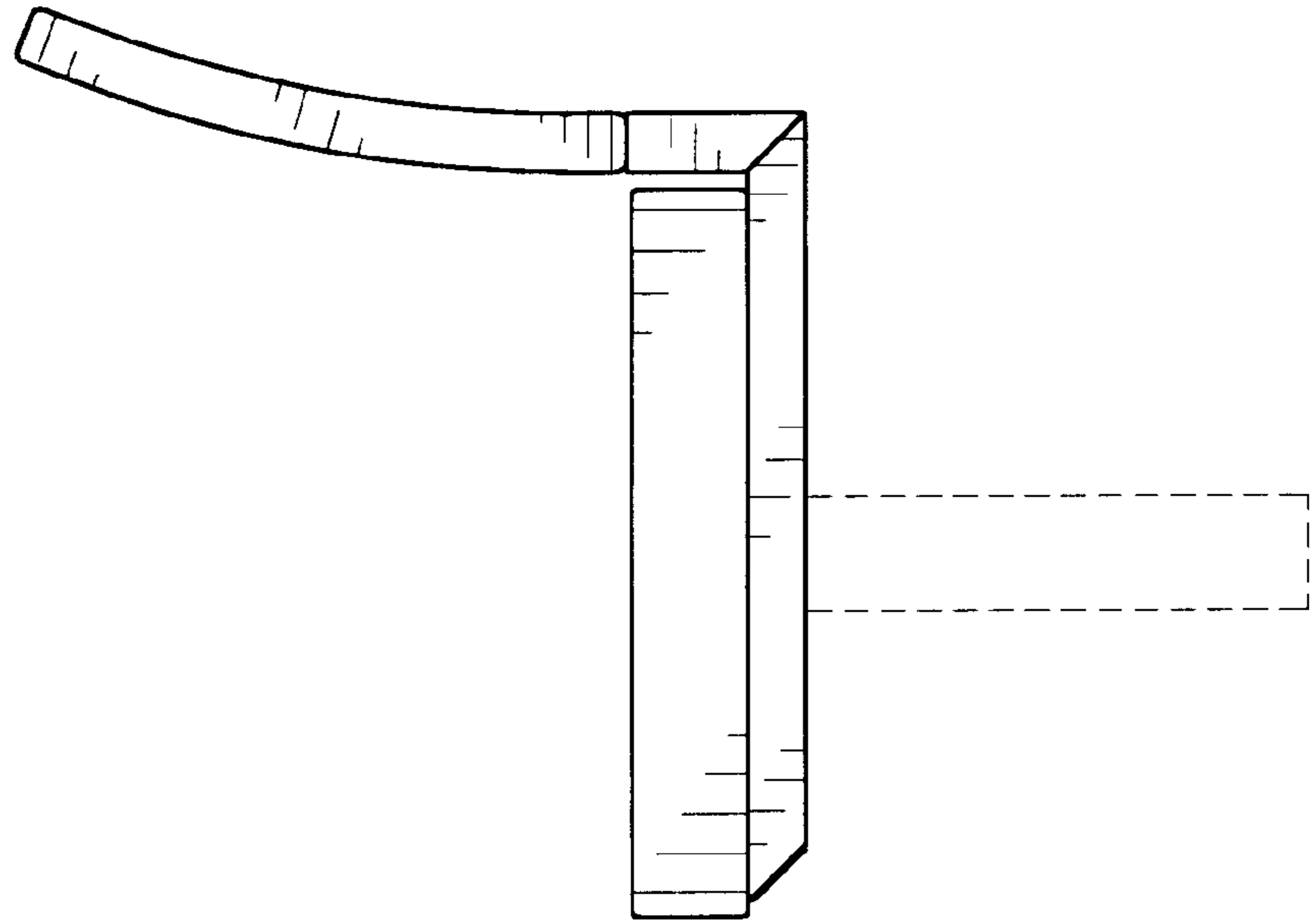


FIG.4

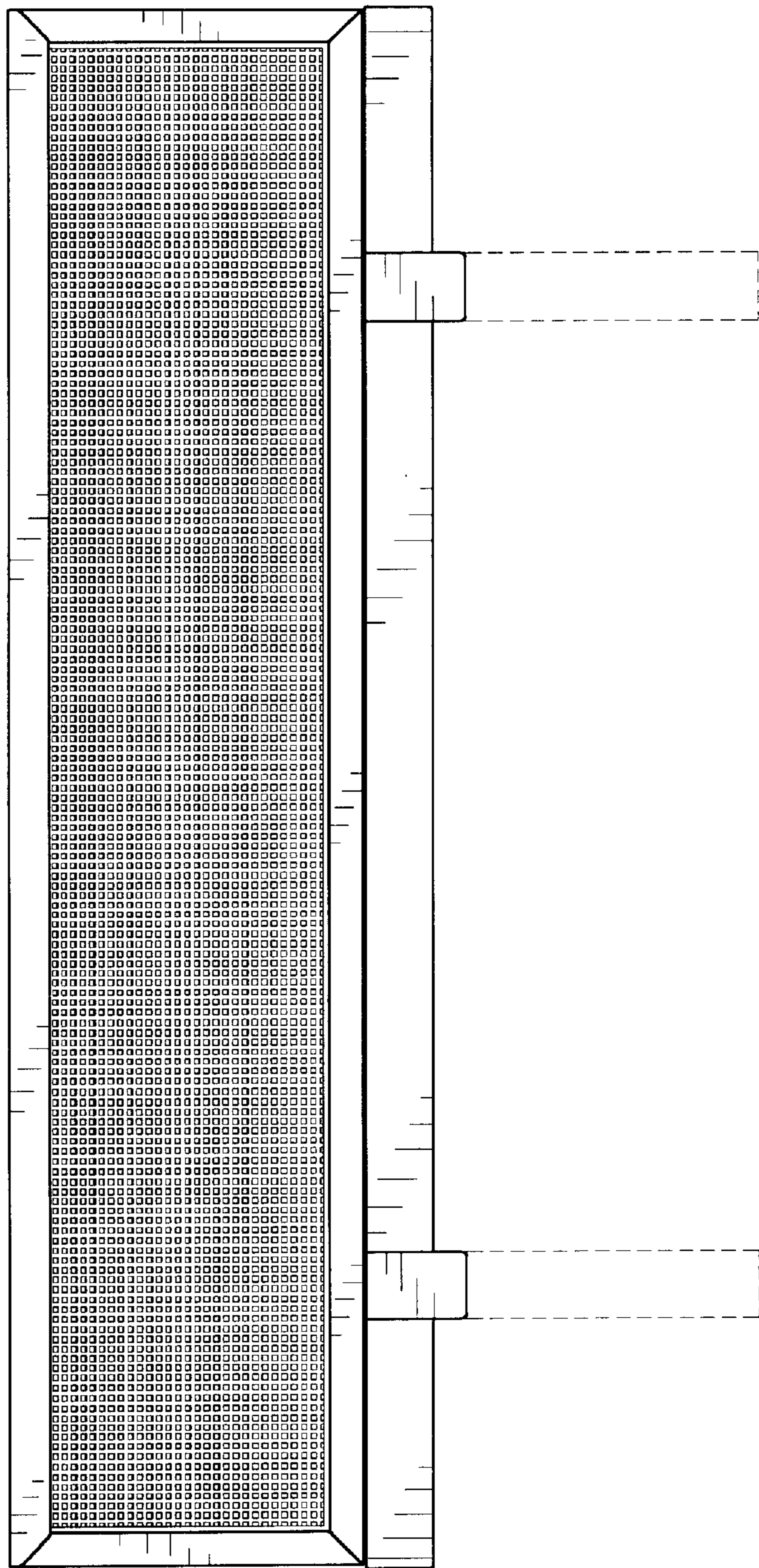


FIG. 5