



US00D482546S

(12) **United States Design Patent**  
**Restemayer**

(10) **Patent No.:** **US D482,546 S**

(45) **Date of Patent:** **\*\* Nov. 25, 2003**

(54) **TABLE**

(75) **Inventor:** **Brent W. Restemayer**, St. Louis, MO (US)

(73) **Assignee:** **The Farmhouse Collection, Inc.**, Twin Falls, ID (US)

(\*\*) **Term:** **14 Years**

(21) **Appl. No.:** **29/174,853**

(22) **Filed:** **Jan. 24, 2003**

(51) **LOC (7) Cl.** ..... **06-03**

(52) **U.S. Cl.** ..... **D6/480**

(58) **Field of Search** ..... D6/480-489, 495;  
108/153.1, 155, 156, 157.1, 157.17, 161;  
248/188, 188.1, 188.8

(56) **References Cited**

**U.S. PATENT DOCUMENTS**

5,040,684 A	*	8/1991	Knowles	.....	206/586
D448,217 S	*	9/2001	Ullman	.....	D6/484
D450,492 S	*	11/2001	Sabo et al.	.....	D6/480
D473,404 S	*	4/2003	de Blois	.....	D6/480

\* cited by examiner

*Primary Examiner*—Janice E. Seeger

(74) *Attorney, Agent, or Firm*—Heslin Rothenberg Farley & Mesiti P.C.

(57) **CLAIM**

The ornamental design for the table, as shown and described.

**DESCRIPTION**

FIG. 1 is a perspective view of a table in accordance with the new design;

FIG. 2 is a front elevational view thereof;

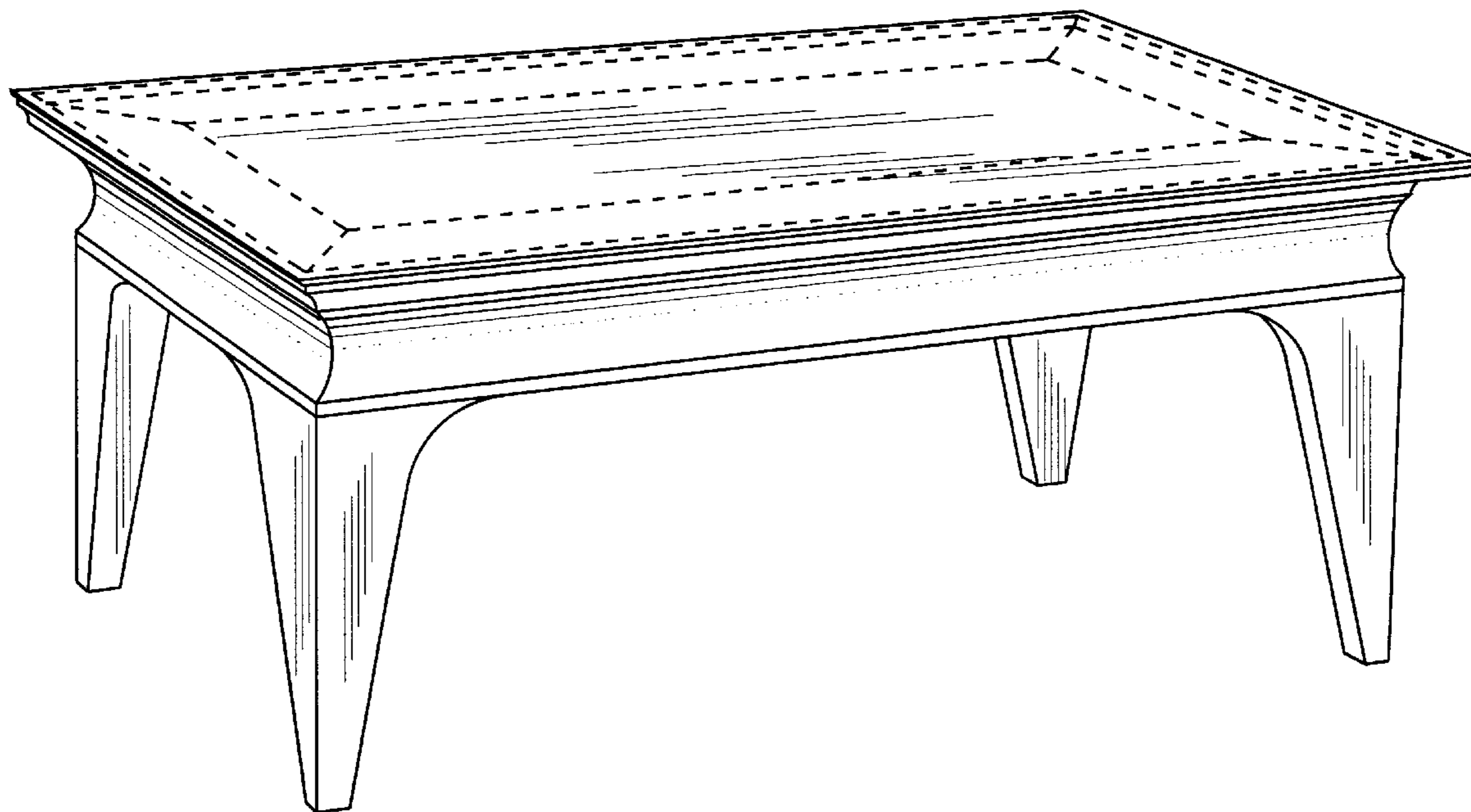
FIG. 3 is a right side elevational view thereof, a left side elevational view being a mirror image thereof;

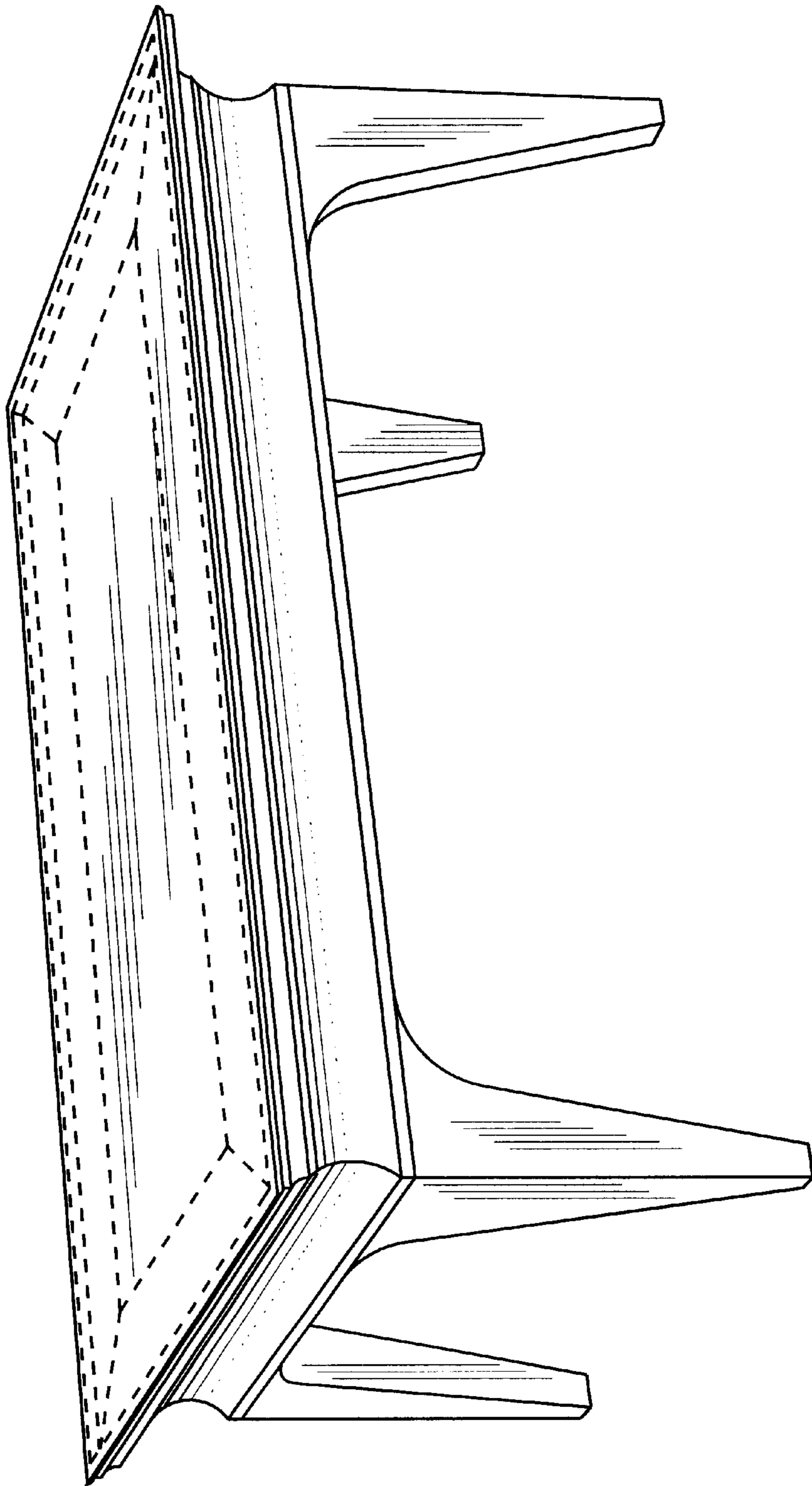
FIG. 4 is a top view thereof; and,

FIG. 5 is a perspective view of an alternative embodiment of the table, portions of which are cut away to illustrate indeterminate length.

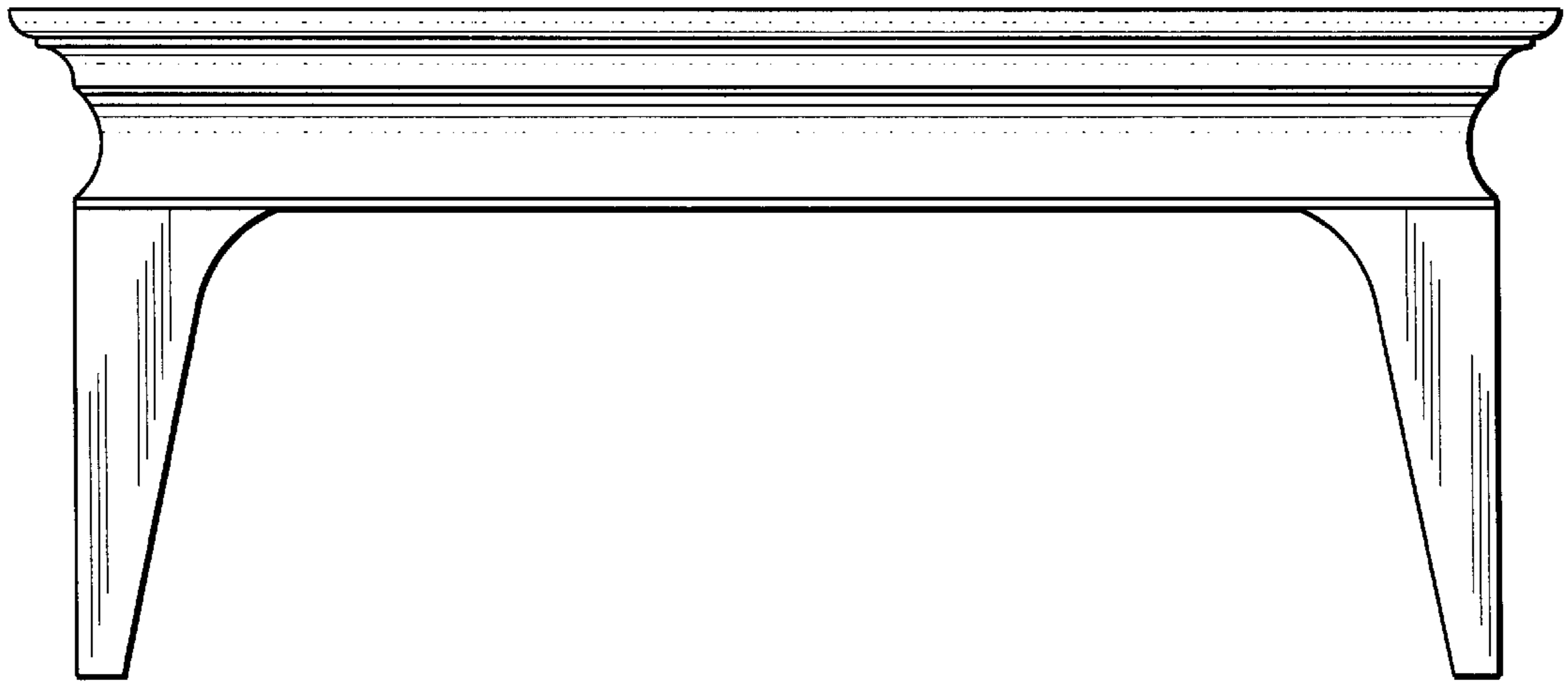
The broken lines in the drawing figures are for illustrative purposes only and form no part of the claimed design.

**1 Claim, 4 Drawing Sheets**

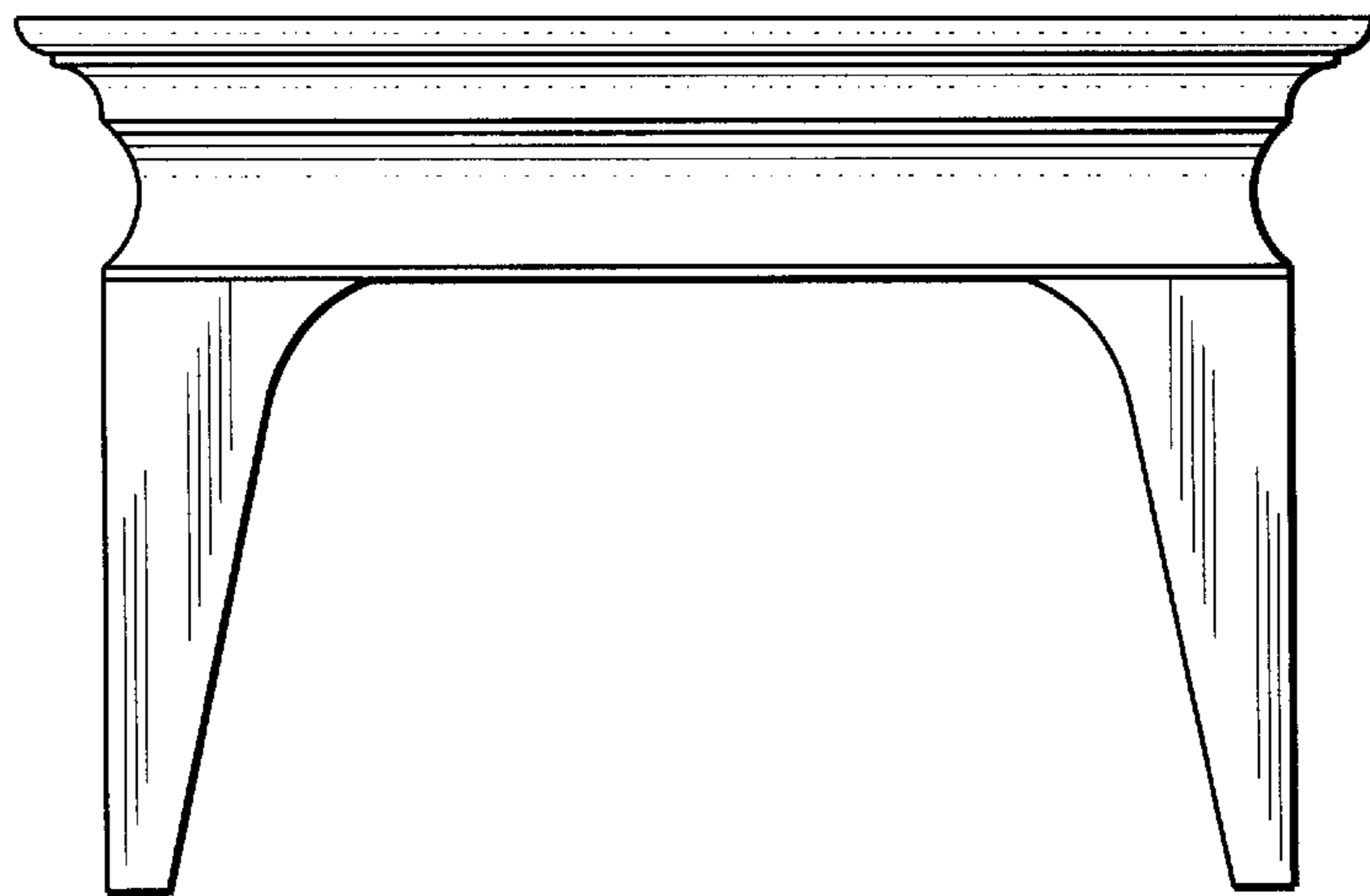




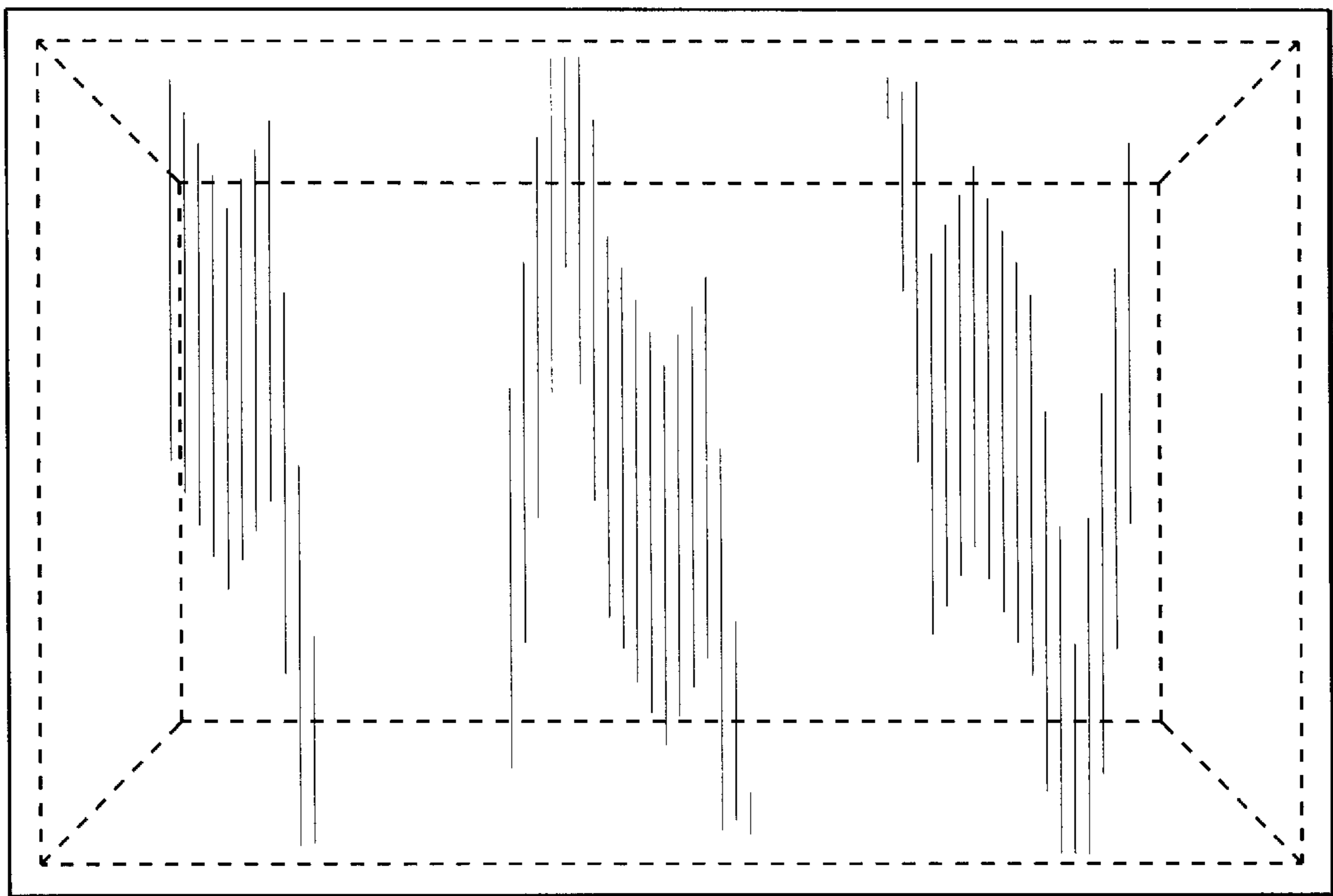
*fig. 1*



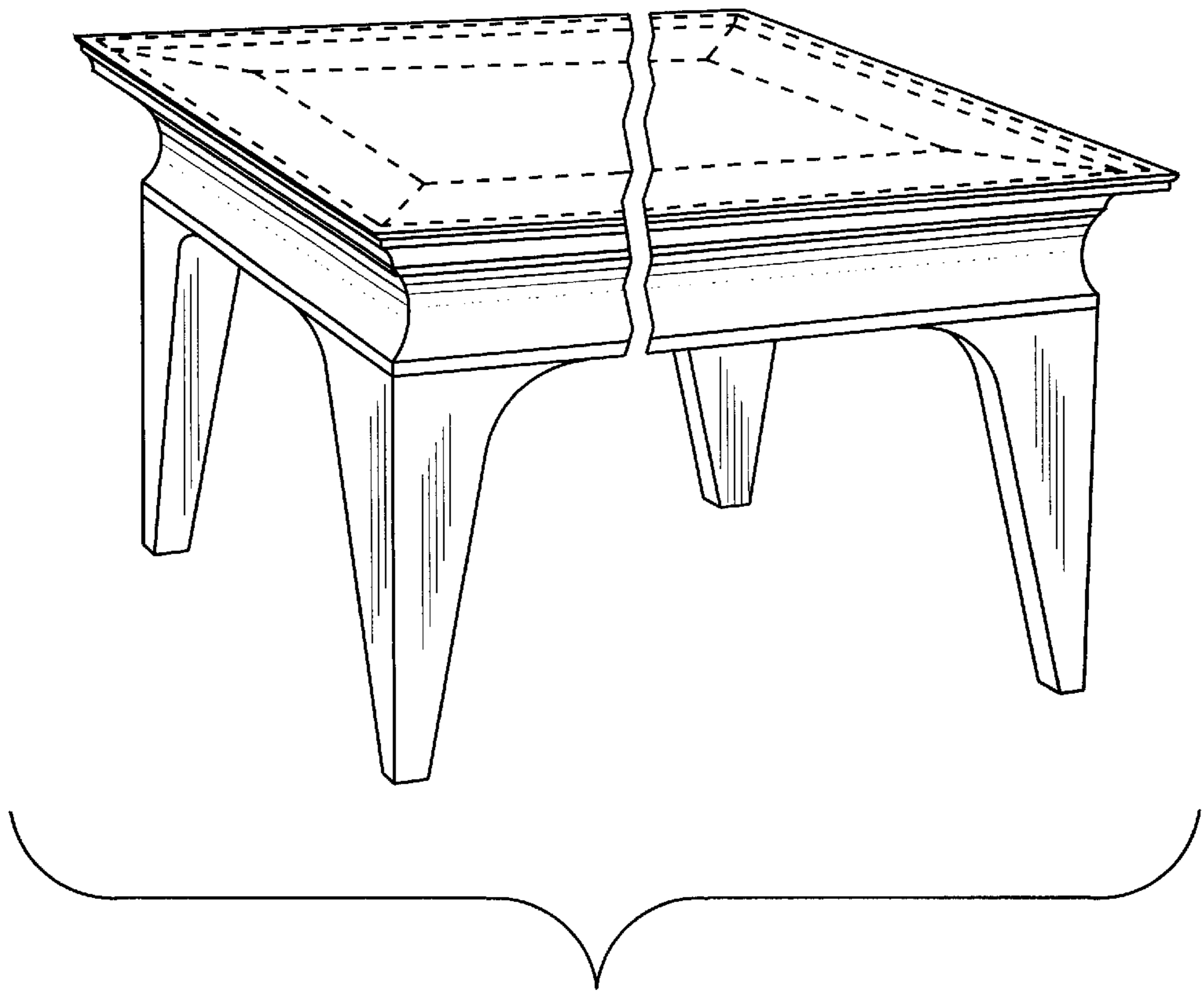
*fig. 2*



*fig. 3*



*fig. 4*



*fig. 5*