



US00D482543S

(12) **United States Design Patent**
Haney et al.

(10) **Patent No.:** **US D482,543 S**

(45) **Date of Patent:** **** Nov. 25, 2003**

(54) **CHAIR FRAME**

(75) Inventors: **Thayne B. Haney**, Syracuse, UT (US);
Kent Ashby, Logan, UT (US)

(73) Assignee: **Lifetime Products, Inc.**, Clearfield, UT (US)

(**) Term: **14 Years**

(21) Appl. No.: **29/175,480**

(22) Filed: **Feb. 5, 2003**

Related U.S. Application Data

(62) Division of application No. 29/161,535, filed on May 29, 2002.

(51) **LOC (7) Cl.** **06-01**

(52) **U.S. Cl.** **D6/379**

(58) **Field of Search** D6/334, 370, 374,
D6/375, 376, 379, 380, 500, 501, 502;
297/445.1, 446.1

(56) **References Cited**

U.S. PATENT DOCUMENTS

D273,444 S	4/1984	Harper, Jr. et al.	D7/70
D313,515 S	1/1991	Wood	D6/380
D325,304 S	4/1992	Grosfillex	D6/370
D335,971 S	6/1993	Hess	D6/379

D342,629 S	12/1993	Tseng	D6/370
D369,922 S	5/1996	Kirn et al.	D6/381
D385,425 S	10/1997	Goetz	D6/379
D425,718 S	5/2000	van Valderen	D6/370
D439,068 S	3/2001	Vanderby	D6/379
D457,339 S	5/2002	Liu	D6/370
D457,342 S	5/2002	Muller	D6/370

Primary Examiner—Gary D. Watson

(74) *Attorney, Agent, or Firm*—Workman Nydegger

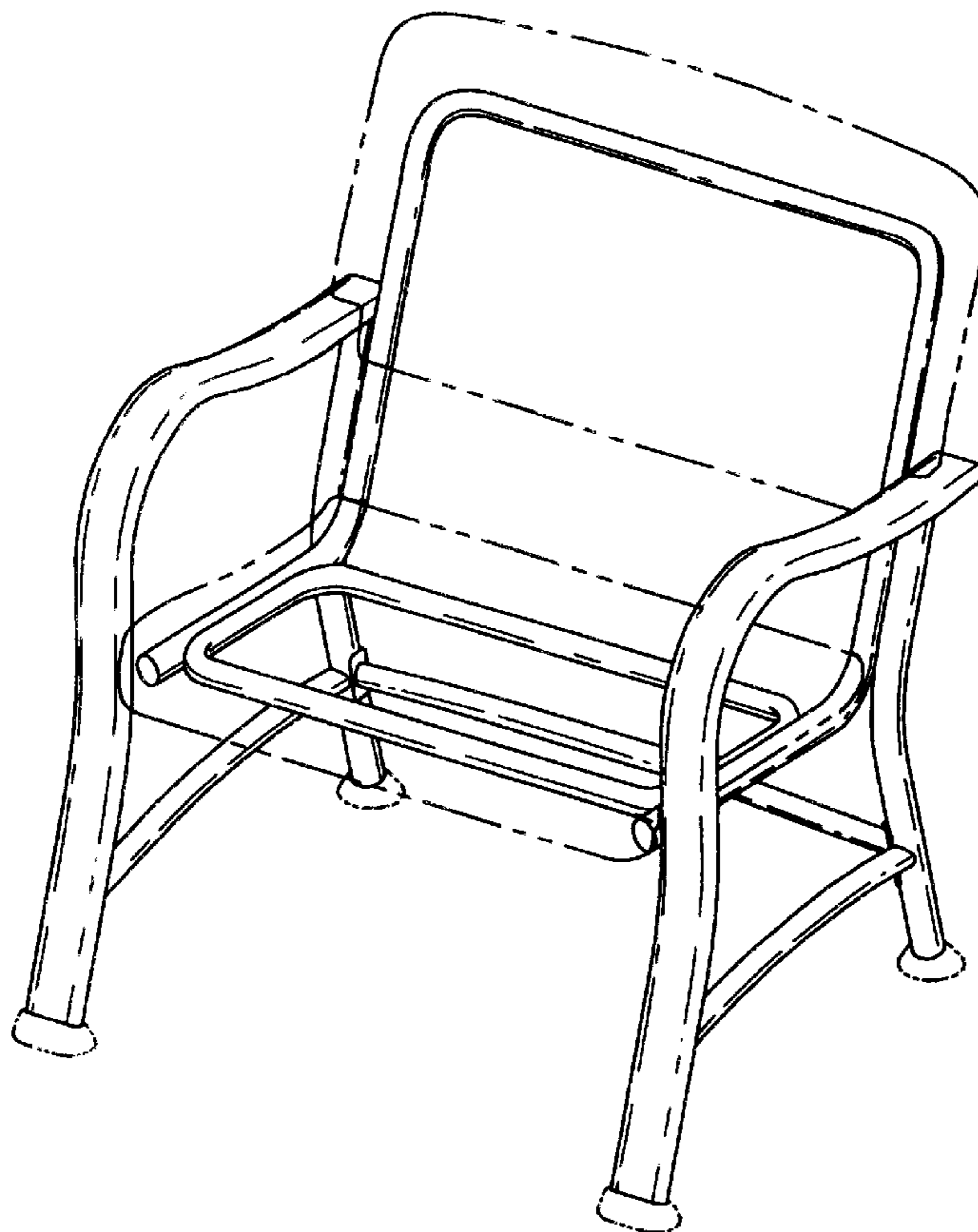
(57) **CLAIM**

The ornamental design for a chair frame, as shown and described.

DESCRIPTION

FIG. 1 is a perspective view of a chair frame, the broken lines showing the chair seat and chair back are for illustrative purposes only and form no part of the claimed design; FIG. 2 is a front view of the chair frame; FIG. 3 is a back view of the chair frame; FIG. 4 is a left side view of the chair frame, with the right side view being a mirror image thereof; FIG. 5 is a top view of the chair frame; and, FIG. 6 is bottom plan view of the chair frame. The broken lines showing the feet in all of the figures are for illustrative purposes only and form no part of the claimed design.

1 Claim, 3 Drawing Sheets



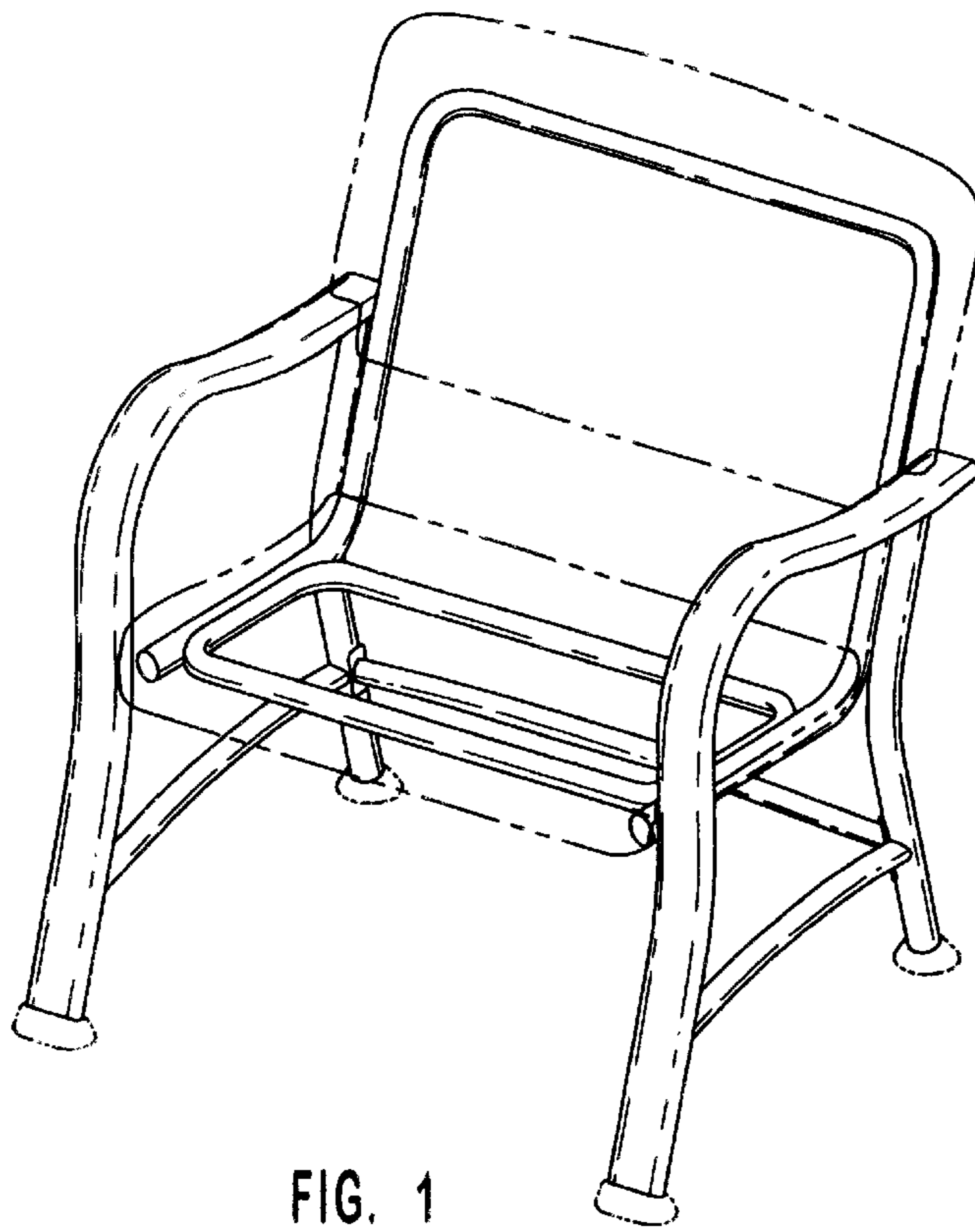


FIG. 1

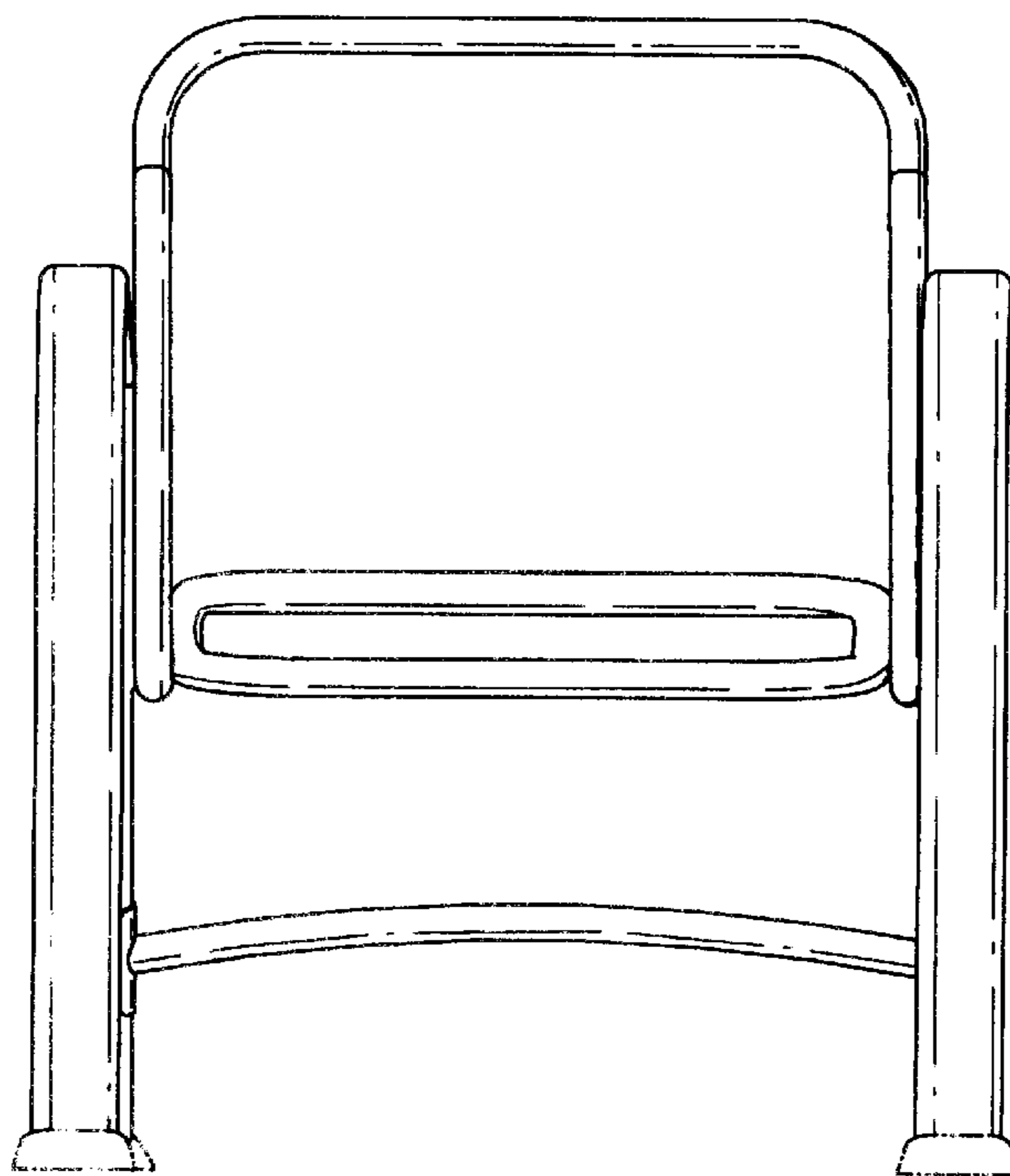


FIG. 2

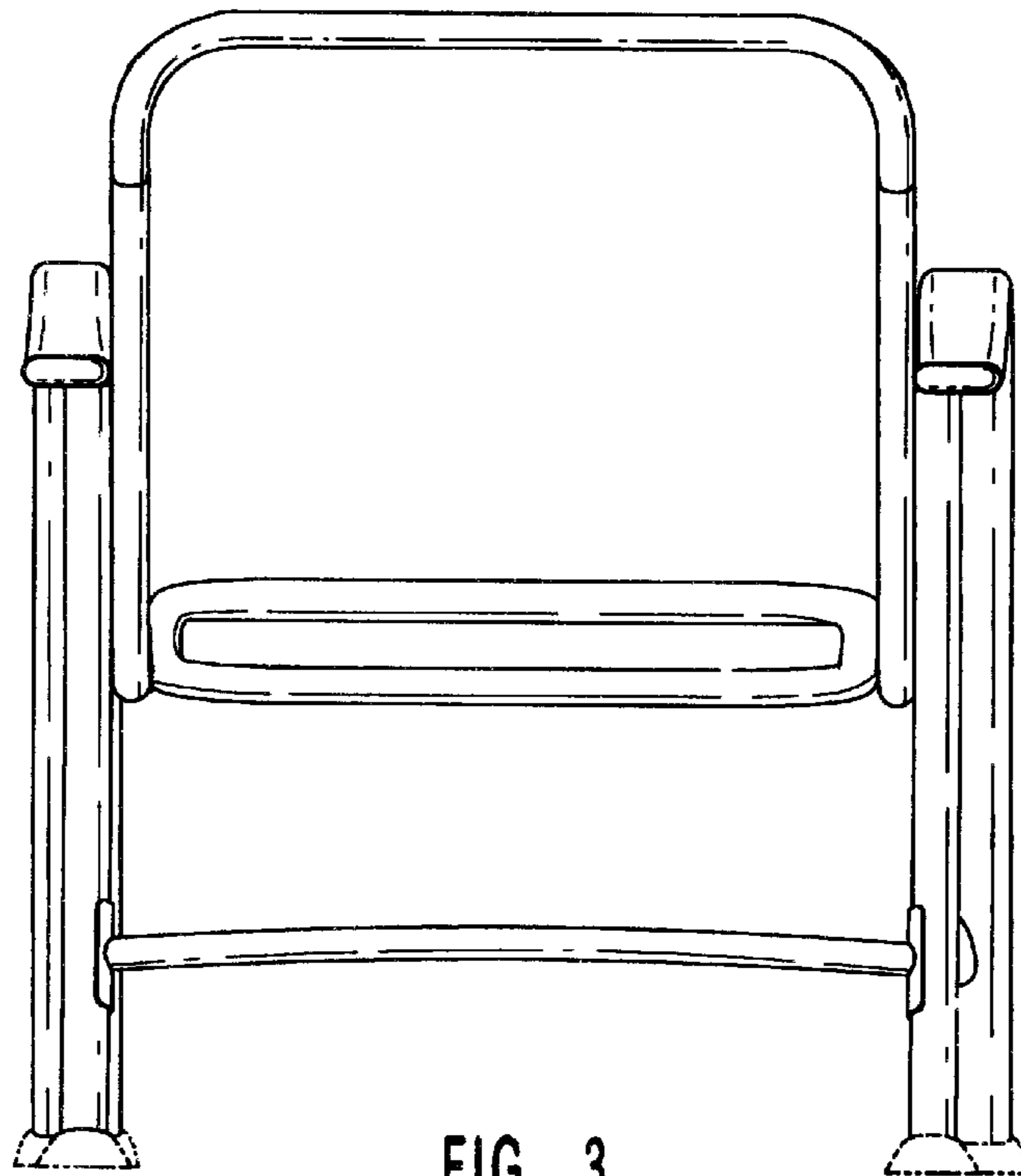


FIG. 3

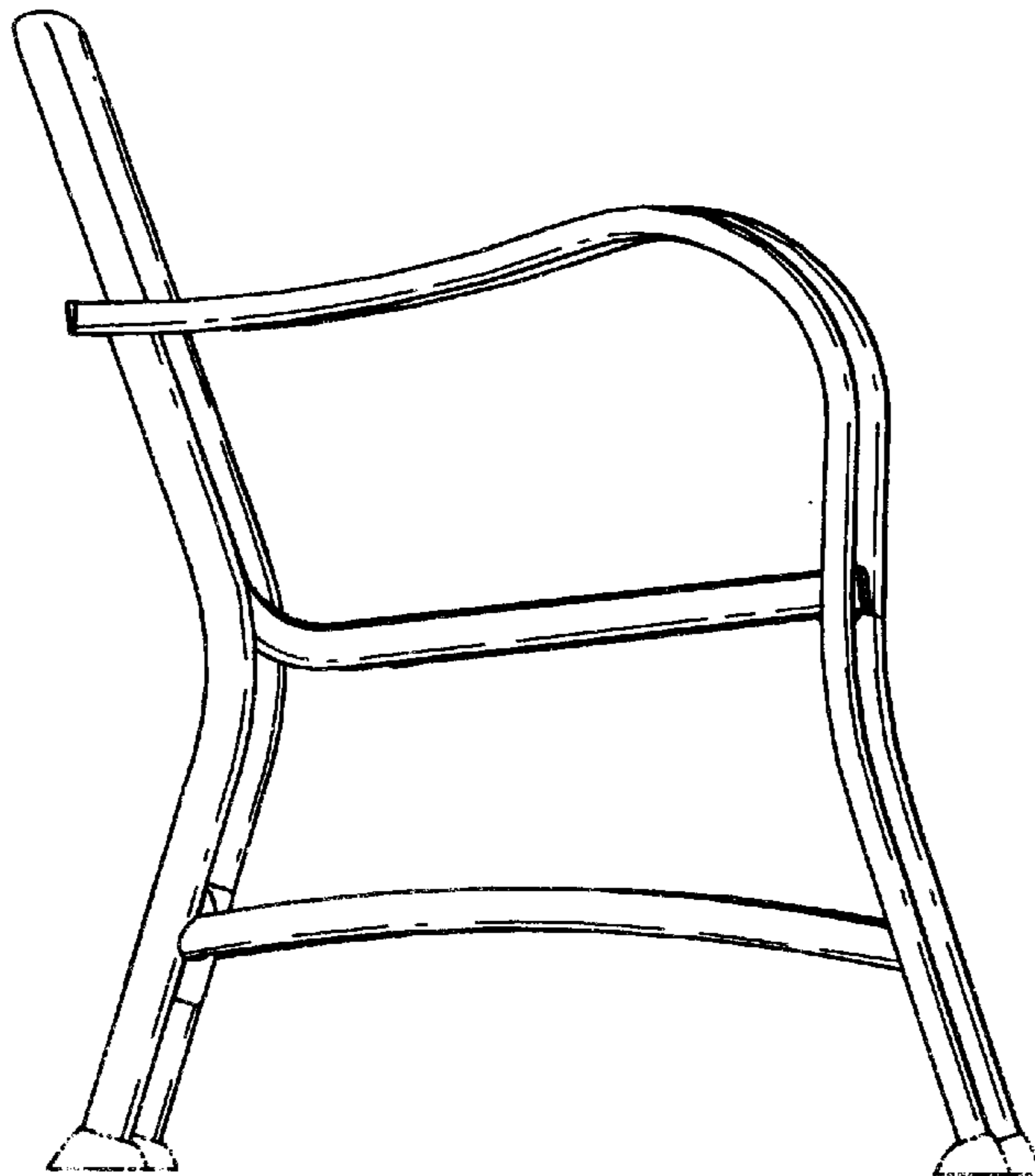


FIG. 4

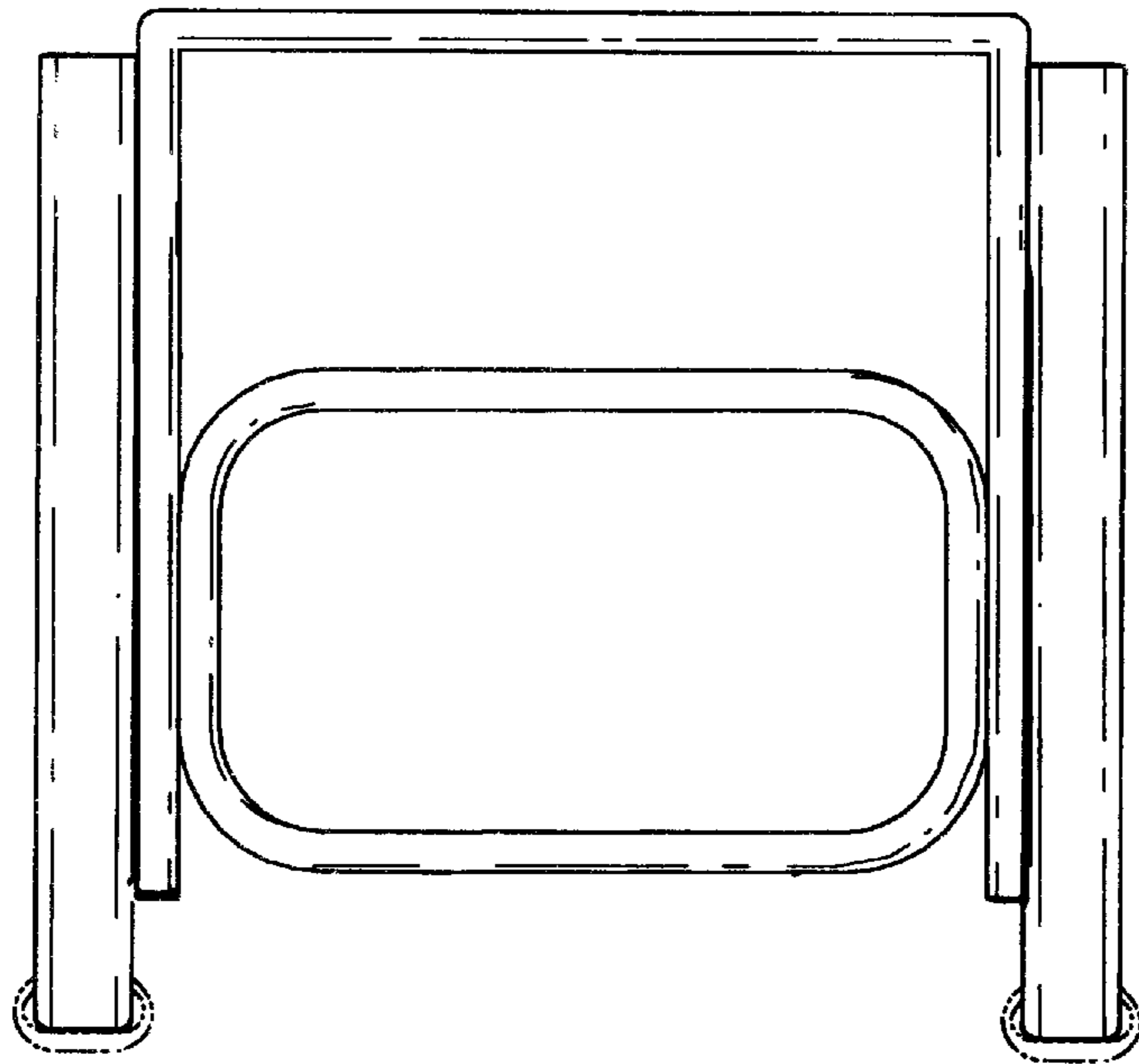


FIG. 5

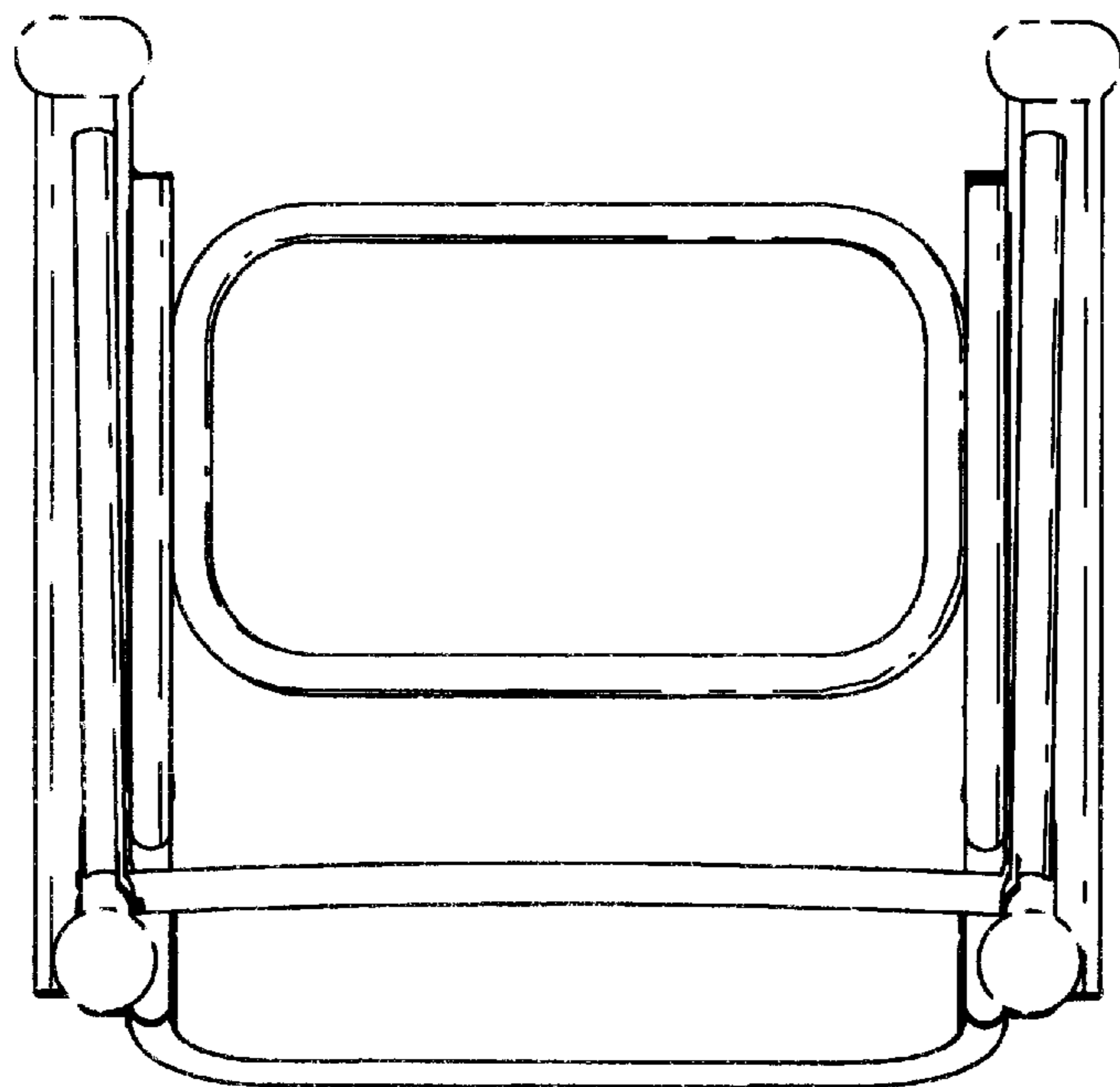


FIG. 6