



US00D482538S

(12) **United States Design Patent**
Fischer

(10) **Patent No.:** **US D482,538 S**

(45) **Date of Patent:** **** Nov. 25, 2003**

(54) **TOY BLOCK INCORPORATING A SEAT AND TABLE FOR CHILDREN**

3,834,776 A * 9/1974 Becker, Jr. 312/108
3,982,784 A * 9/1976 Esser 297/1
5,509,720 A * 4/1996 Croom 297/440.14

(76) **Inventor:** **Brett William Fischer**, 820 E. Ford
#308, Pittsburg, KS (US) 66762

OTHER PUBLICATIONS

Sears 1982 Specialog, p. 618:, item No. 7.*

(**) **Term:** **14 Years**

* cited by examiner

(21) **Appl. No.:** **29/164,187**

Primary Examiner—Mitchell Siegel

(22) **Filed:** **Jul. 22, 2002**

Assistant Examiner—C Tuttle

(51) **LOC (7) Cl.** **06-05**

(57) **CLAIM**

(52) **U.S. Cl.** **D6/336; D6/338; D21/493;**
D21/499

The ornamental design for a toy block incorporating a seat and table for children, as shown and described.

(58) **Field of Search** D21/398, 404,
D21/419, 468, 471, 475, 478, 479, 519,
521, 522, 484, 490, 493, 499, 500, 501,
502, 507; D6/333–336, 338, 351, 358,
367, 368, 374, 383, 384, 388, 397, 450,
451, 490; 273/153 R, 156, 157 R, 160;
446/69, 71, 75, 76, 85, 108, 124, 125, 127,
482, 489, 115, 117; 434/171, 172, 208,
403; 297/1–3, 118, 119, 123–125, 127,
129, 134, 135, 139, 140, 143, 174 CS,
181, 233–235, 239, 440.13, 440.14; 108/11–14

DESCRIPTION

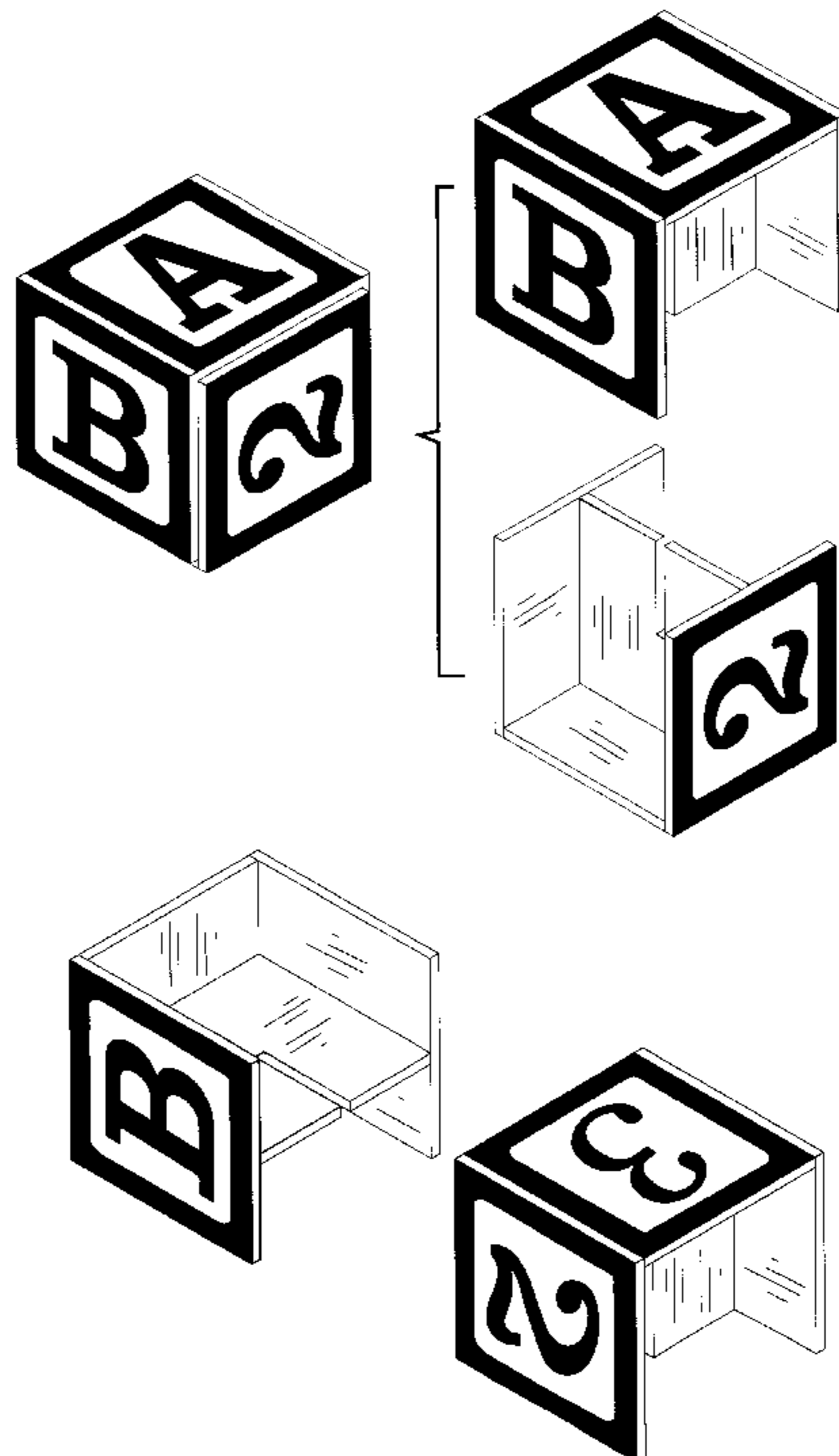
FIG. 1 is a perspective view showing my new design for a toy block incorporating a seat and table for children; FIG. 2 is an exploded perspective view thereof; FIG. 3 is a perspective view of the ABC component of the design, shown separately for clarity; FIG. 4 is a perspective view of the opposite side of FIG. 3; FIG. 5 is perspective view of the 123 component of the design shown separately for clarity; FIG. 6 is a perspective view of the opposite side of FIG. 5; FIG. 7 is a perspective view showing the components of the design in an alternate orientation; FIG. 8 is a perspective view showing the components of the design in a further alternate orientation; FIG. 9 is a top plan view of one component of the design, the top views of both components being the same; and, FIG. 10 is a front elevational view of one component of the design, the front views of both components being the same.

(56) **References Cited**

U.S. PATENT DOCUMENTS

243,362 A * 6/1881 Crandall 434/159
301,158 A * 7/1884 Ravenscroft 446/85
1,314,541 A * 9/1919 Seeger 434/403
2,620,018 A * 12/1952 Pagano 297/123
D218,420 S * 8/1970 Weidner D6/338
3,556,586 A * 1/1971 Beardmore 297/3
D220,997 S * 6/1971 Svezia et al. D6/335

1 Claim, 4 Drawing Sheets



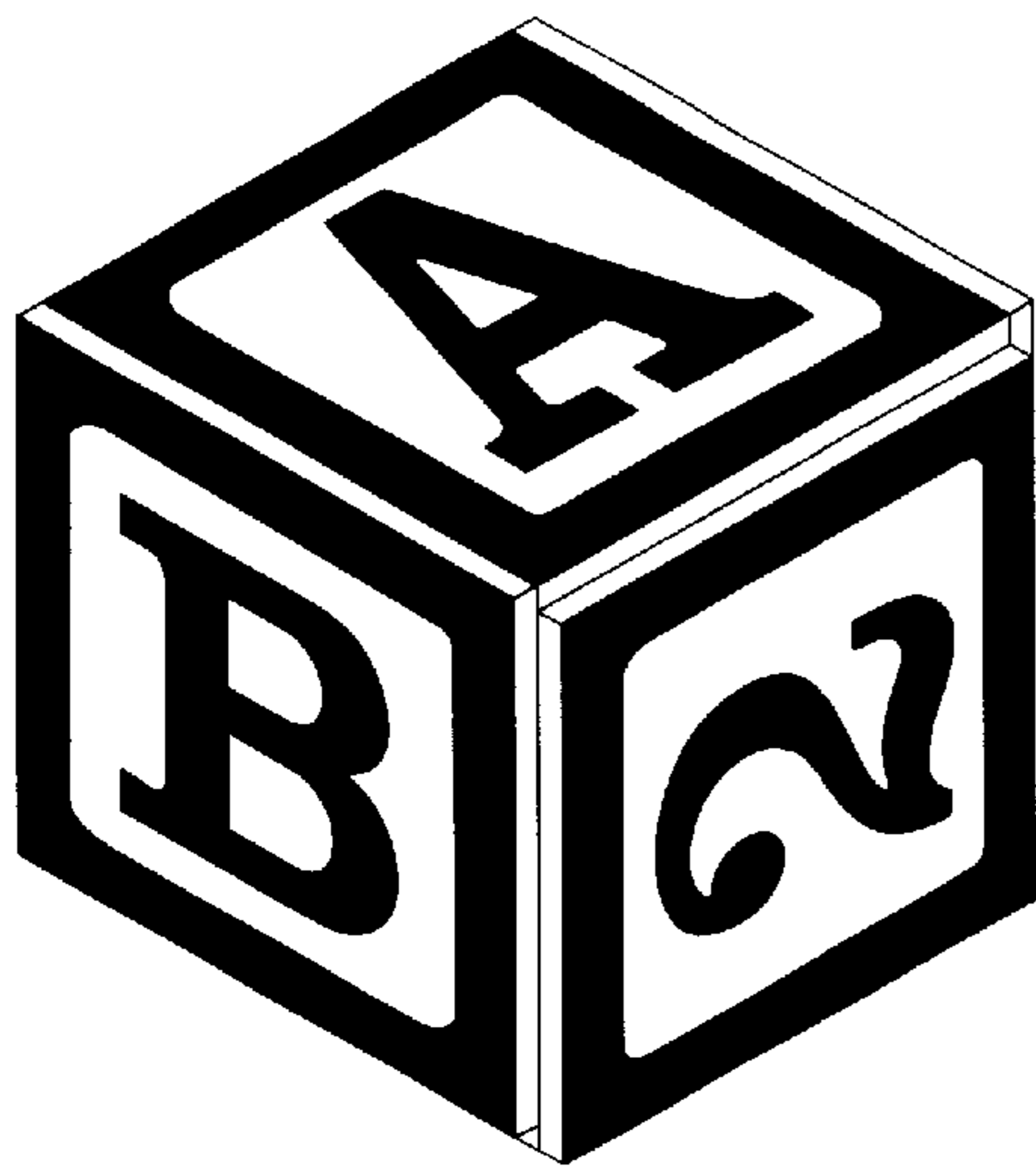


Fig. 1

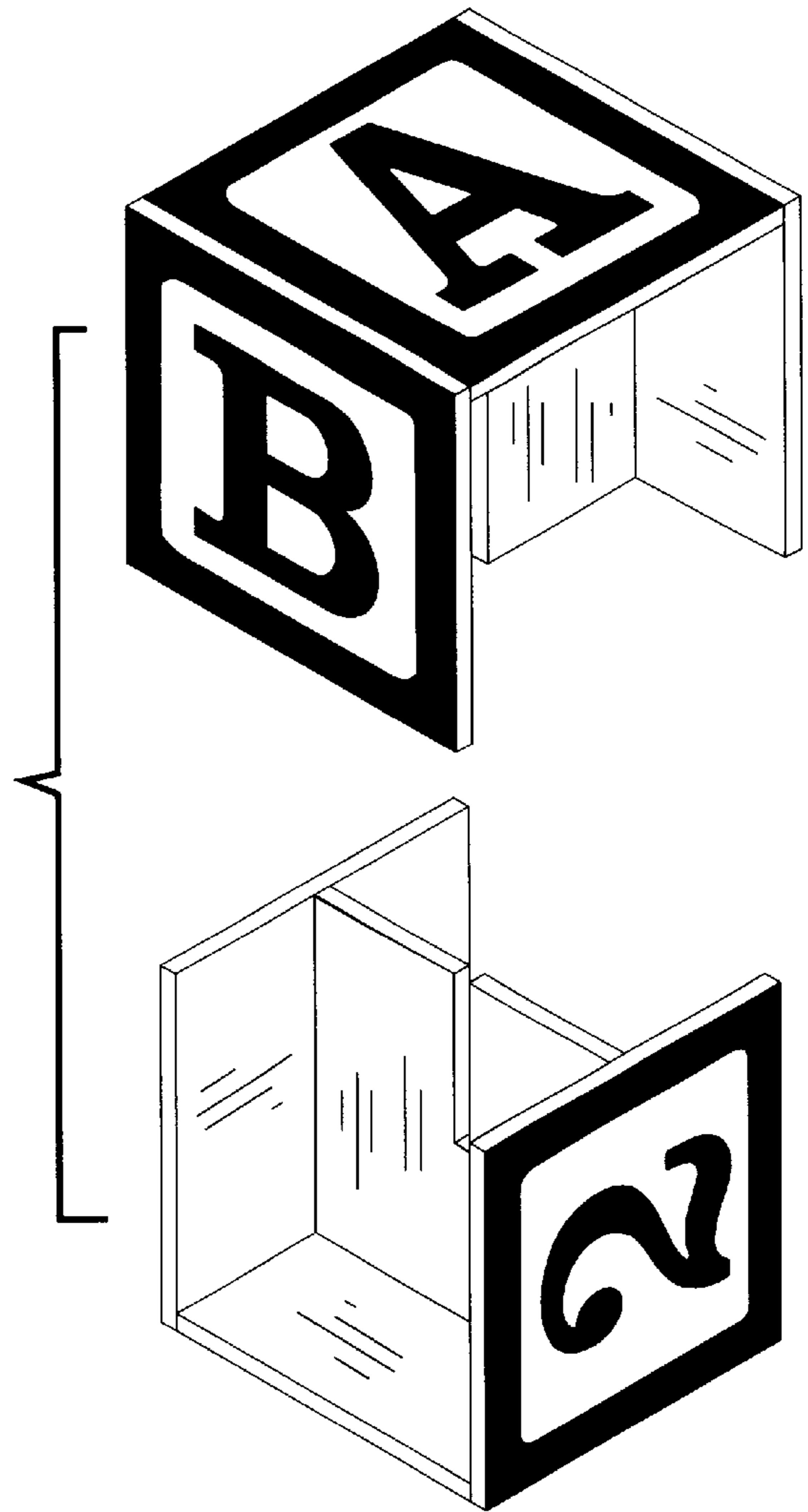


Fig. 2

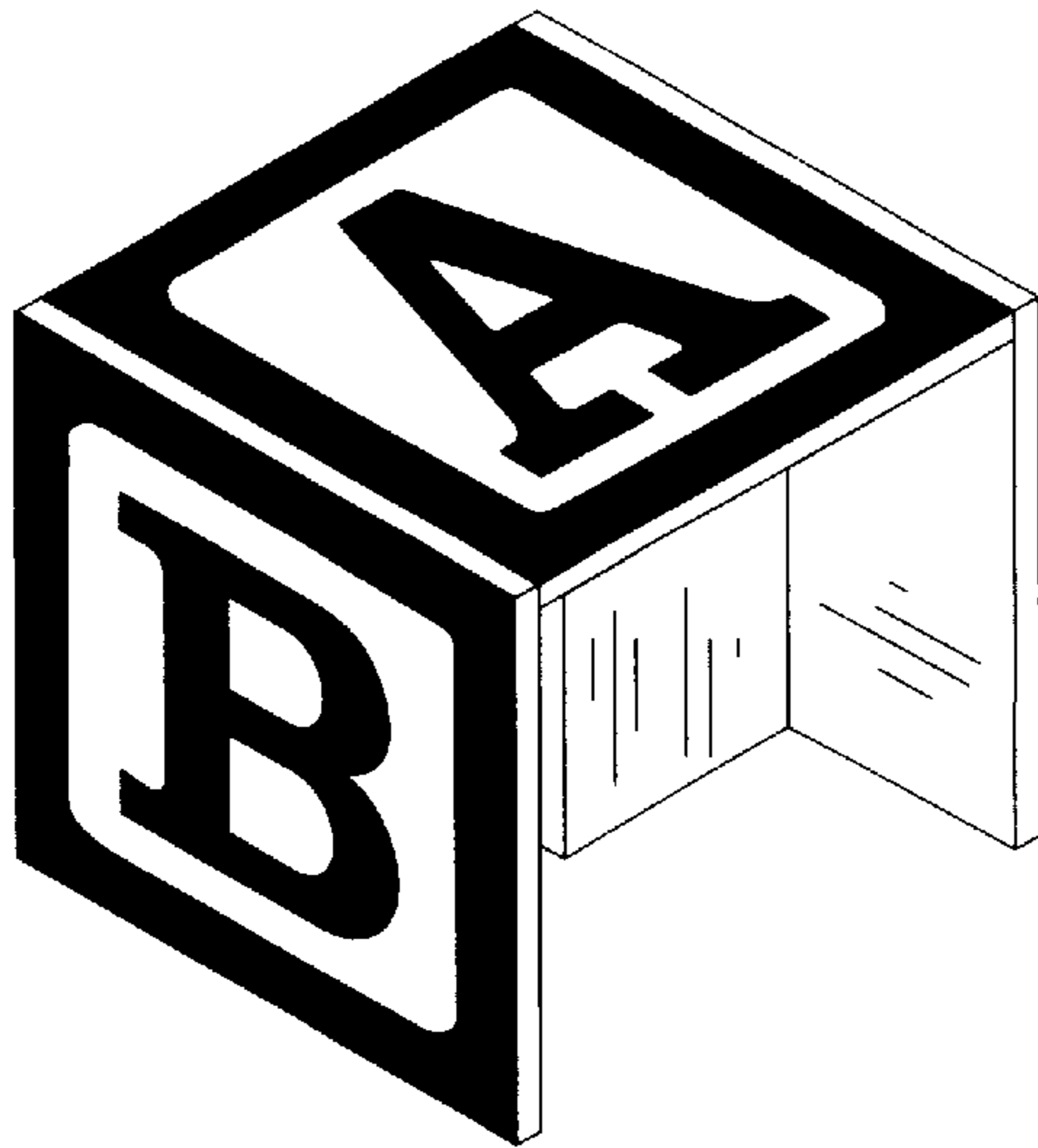


Fig. 3

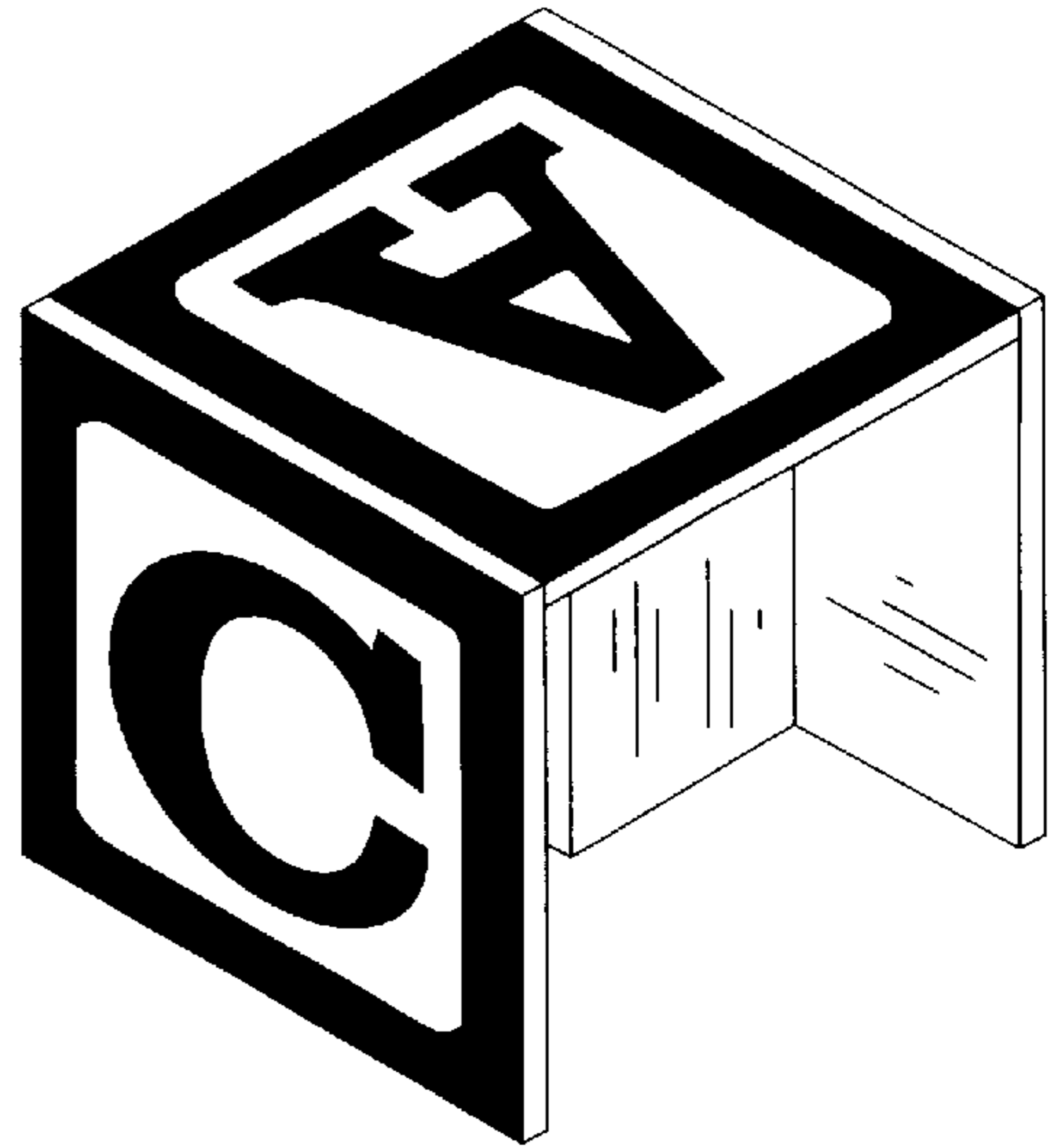


Fig. 4

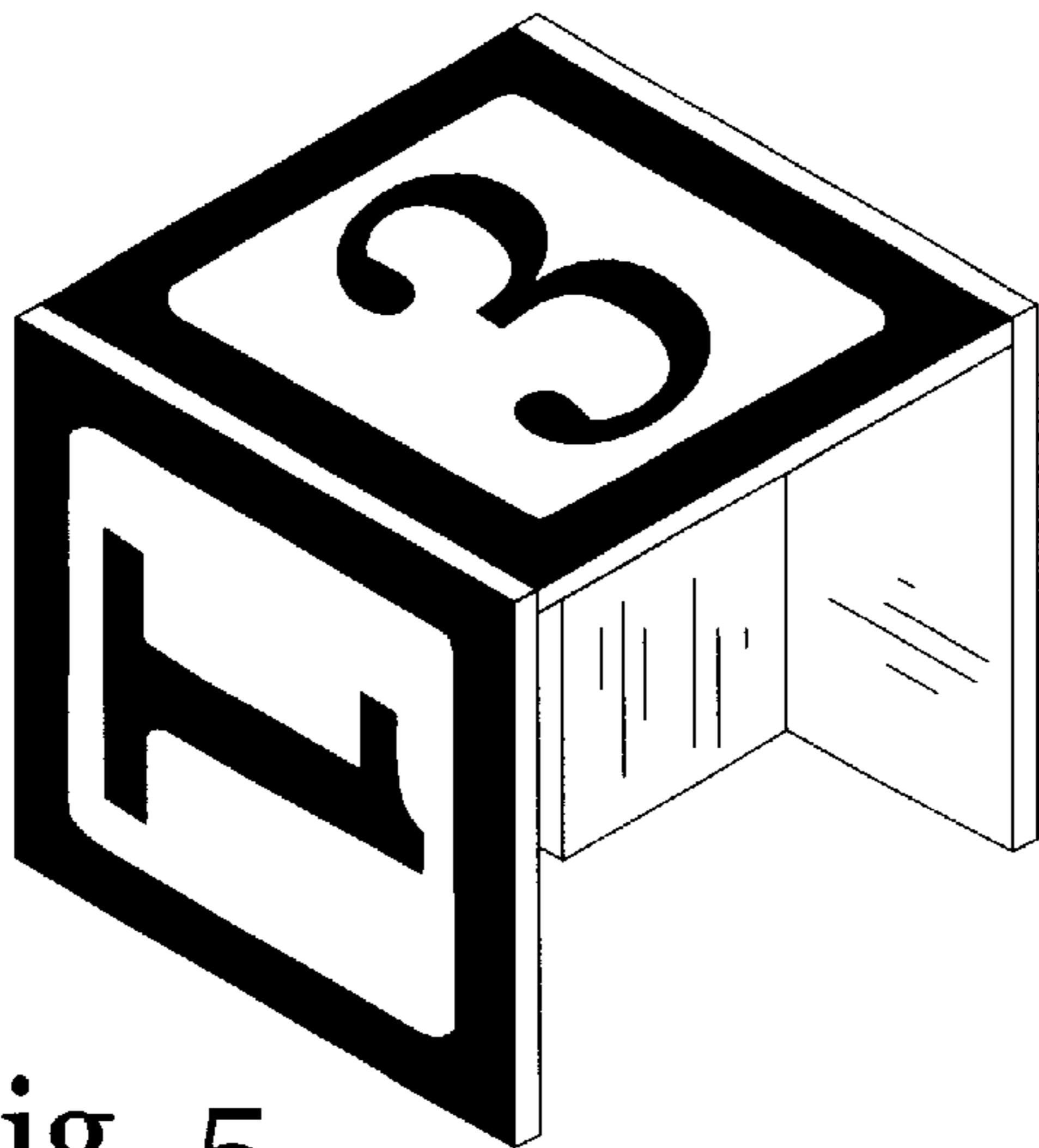


Fig. 5

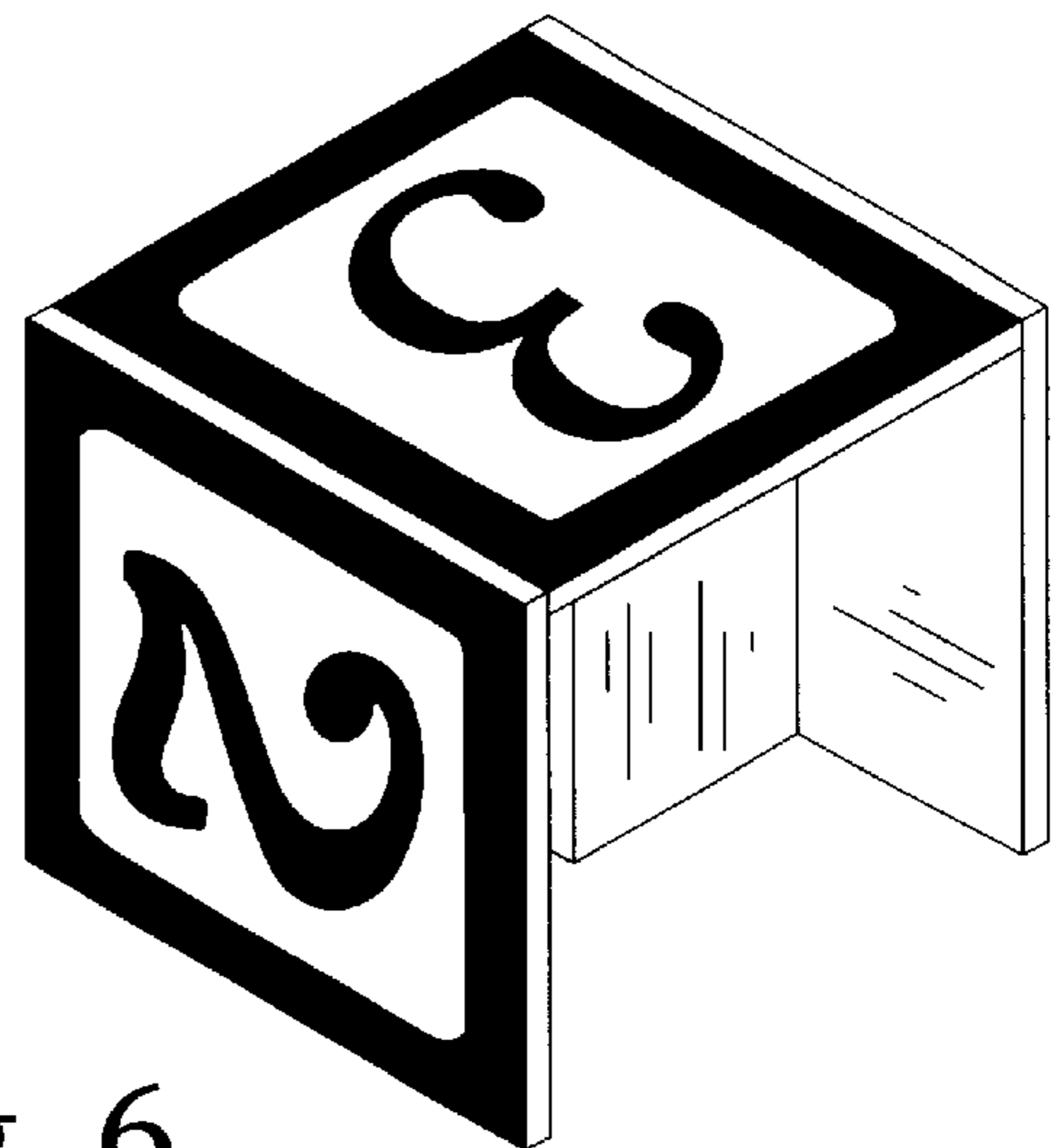


Fig. 6

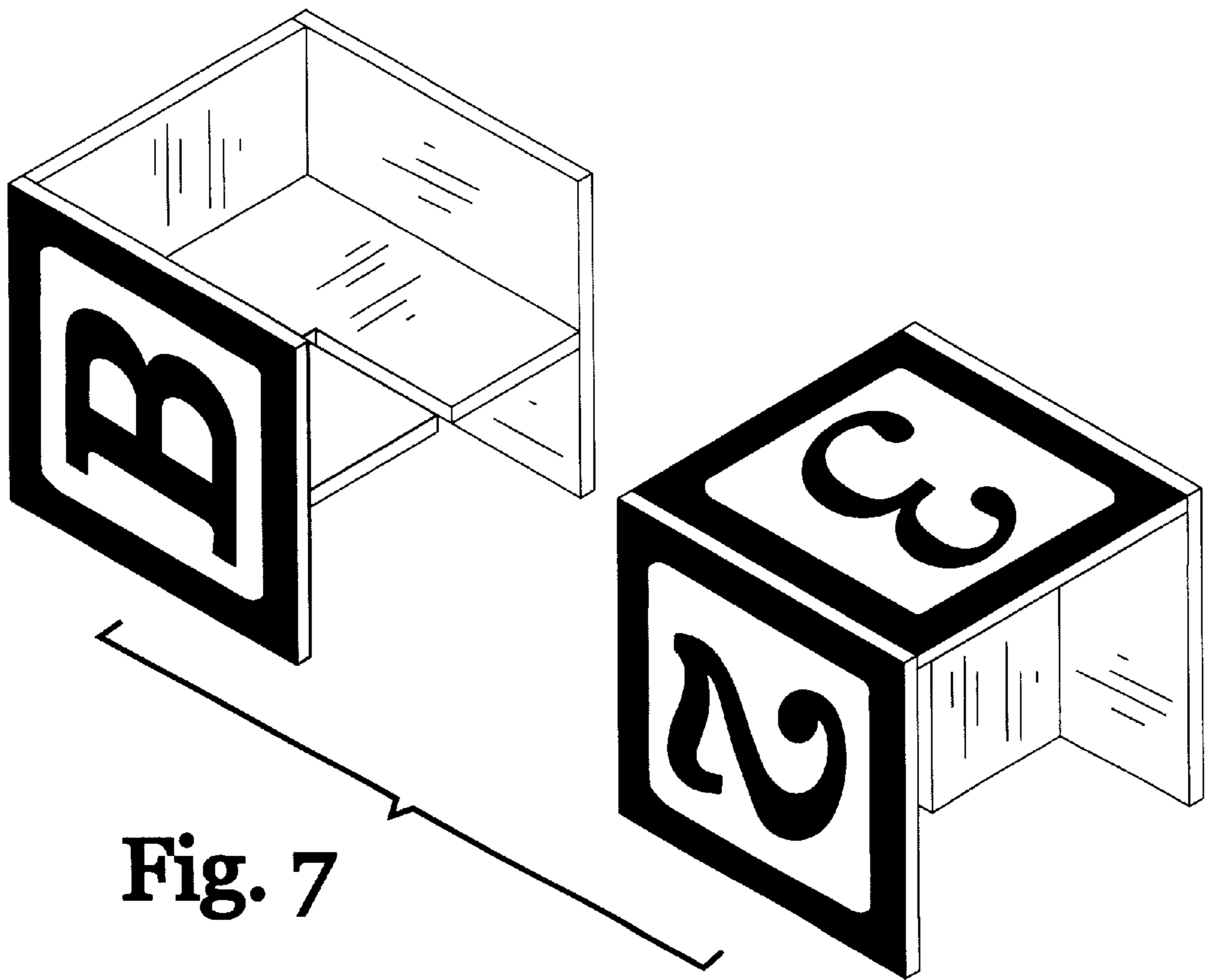


Fig. 7

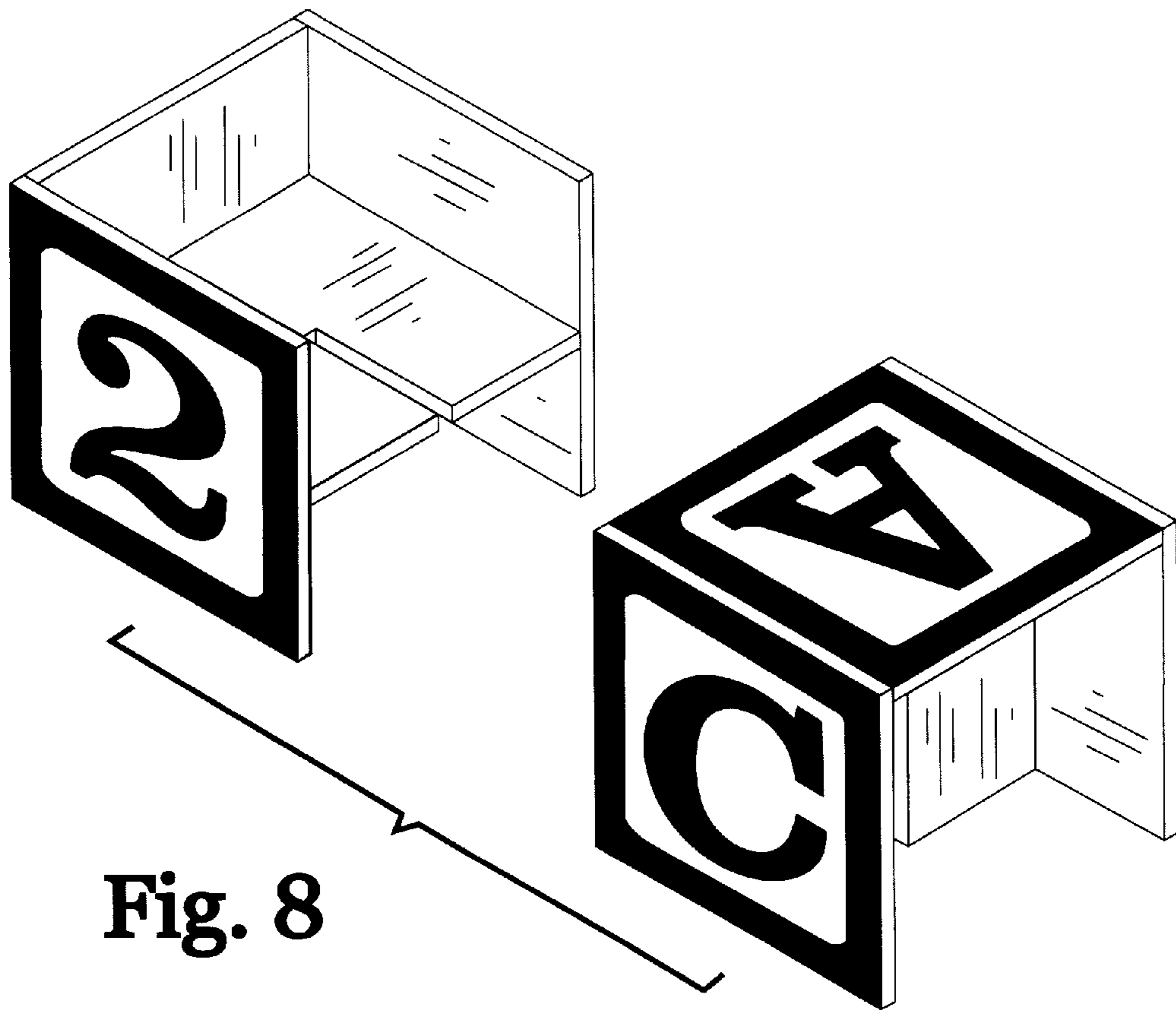


Fig. 8

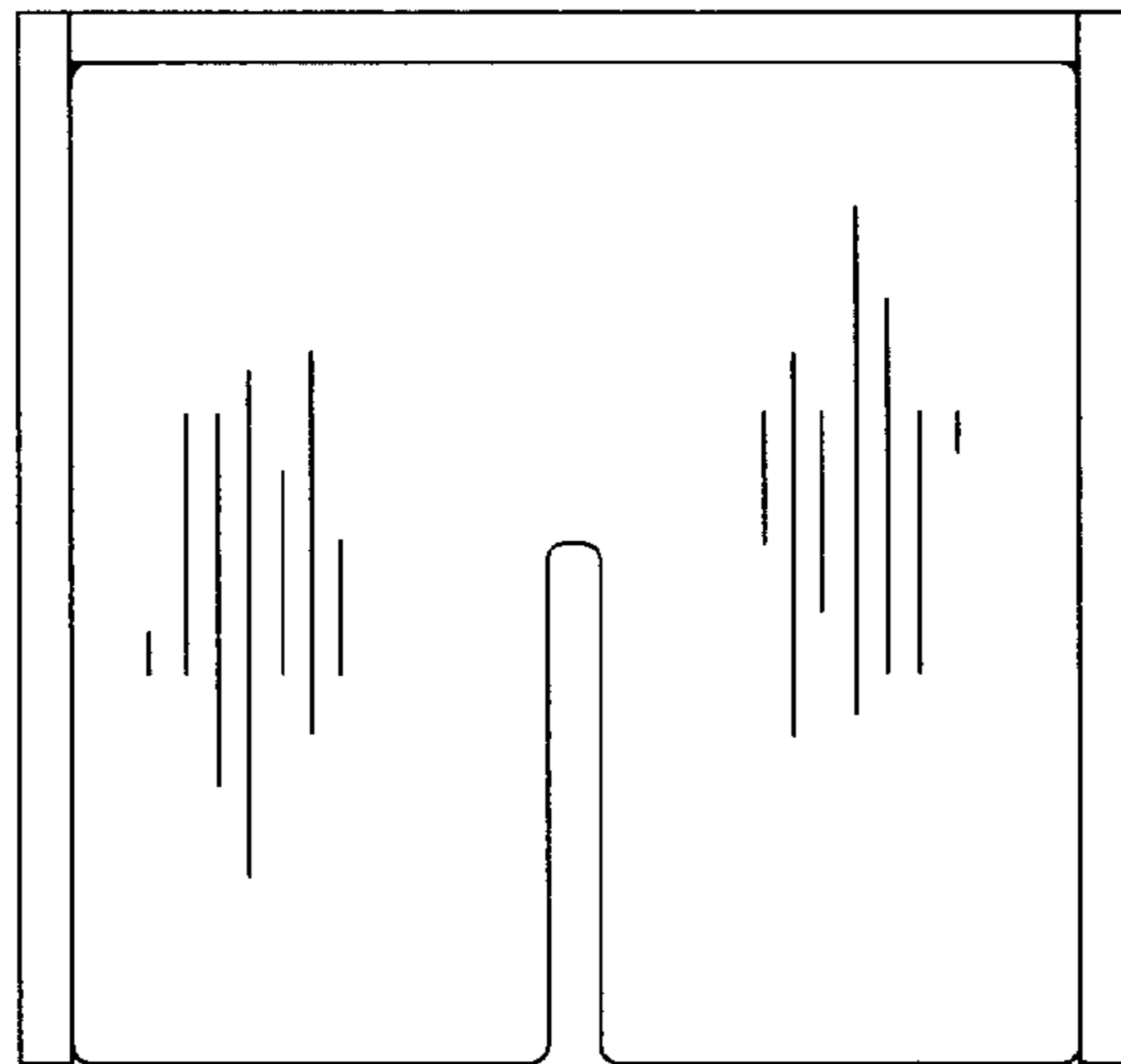


Fig. 9

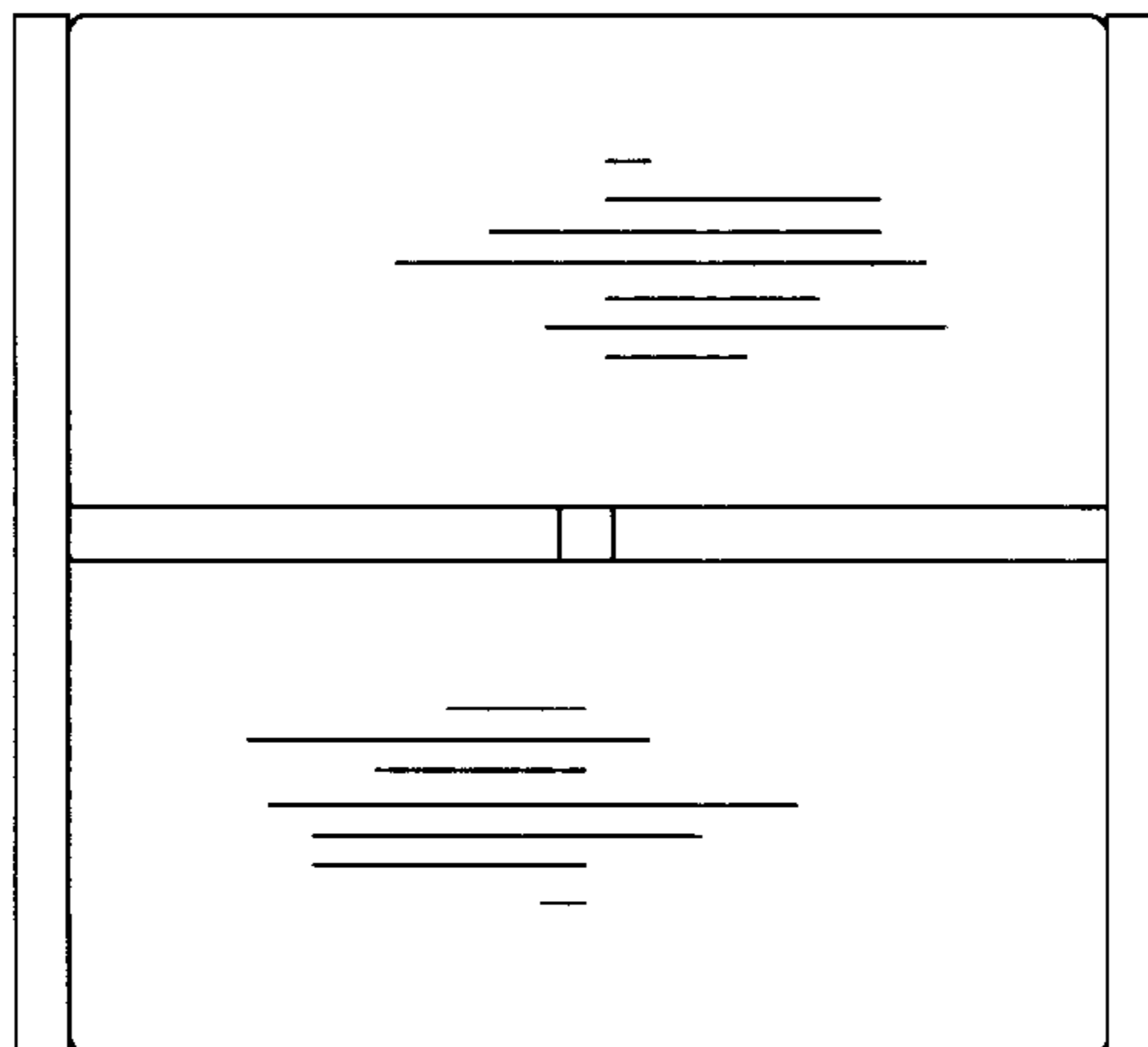


Fig. 10