



US00D482536S

(12) **United States Design Patent**
Williams et al.

(10) **Patent No.:** **US D482,536 S**

(45) **Date of Patent:** **** Nov. 25, 2003**

(54) **SEATING UNIT**

(75) Inventors: **Otto N. Williams**, San Francisco, CA (US); **Jess A. Sorel**, Oakland, CA (US); **Paul B. Siebert**, Castro Valley, CA (US)

(73) Assignee: **Steelcase Development Corporation**, Caledonia, MI (US)

(**) Term: **14 Years**

(21) Appl. No.: **29/177,480**

(22) Filed: **Mar. 11, 2003**

1,992,903 A	*	2/1935	Potashnik	297/158.1
2,289,861 A	*	7/1942	Backus	312/235.2
2,344,149 A	*	3/1944	Jory	297/158.1
D230,918 S		3/1974	Andrus		
3,826,533 A		7/1974	Andrus et al.		
D273,254 S		4/1984	Fairaizen		
D279,237 S	*	6/1985	Balonick	D6/335
D360,310 S		7/1995	Stamberg et al.		

* cited by examiner

Primary Examiner—Doris V. Coles
Assistant Examiner—Mimosa De
(74) *Attorney, Agent, or Firm*—Price, Heneveld, Cooper, DeWitt & Litton

Related U.S. Application Data

(62) Division of application No. 29/142,793, filed on Jun. 1, 2001.

(51) **LOC (7) Cl.** **06-01**

(52) **U.S. Cl.** **D6/335**

(58) **Field of Search** D6/334, 335, 336, D6/337, 338, 371-373, 374, 375, 378, 381, 500-502; 297/119, 124, 126, 135, 147, 157.1, 158.1, 232; 108/33, 63, 160, 161; 312/235.2, 238

(56) **References Cited**

U.S. PATENT DOCUMENTS

1,583,264 A * 5/1926 Turner, Jr. 108/33

(57) **CLAIM**

The ornamental design for a seating unit, as shown and described.

DESCRIPTION

FIG. 1 is a perspective view of a seating unit showing our new design;

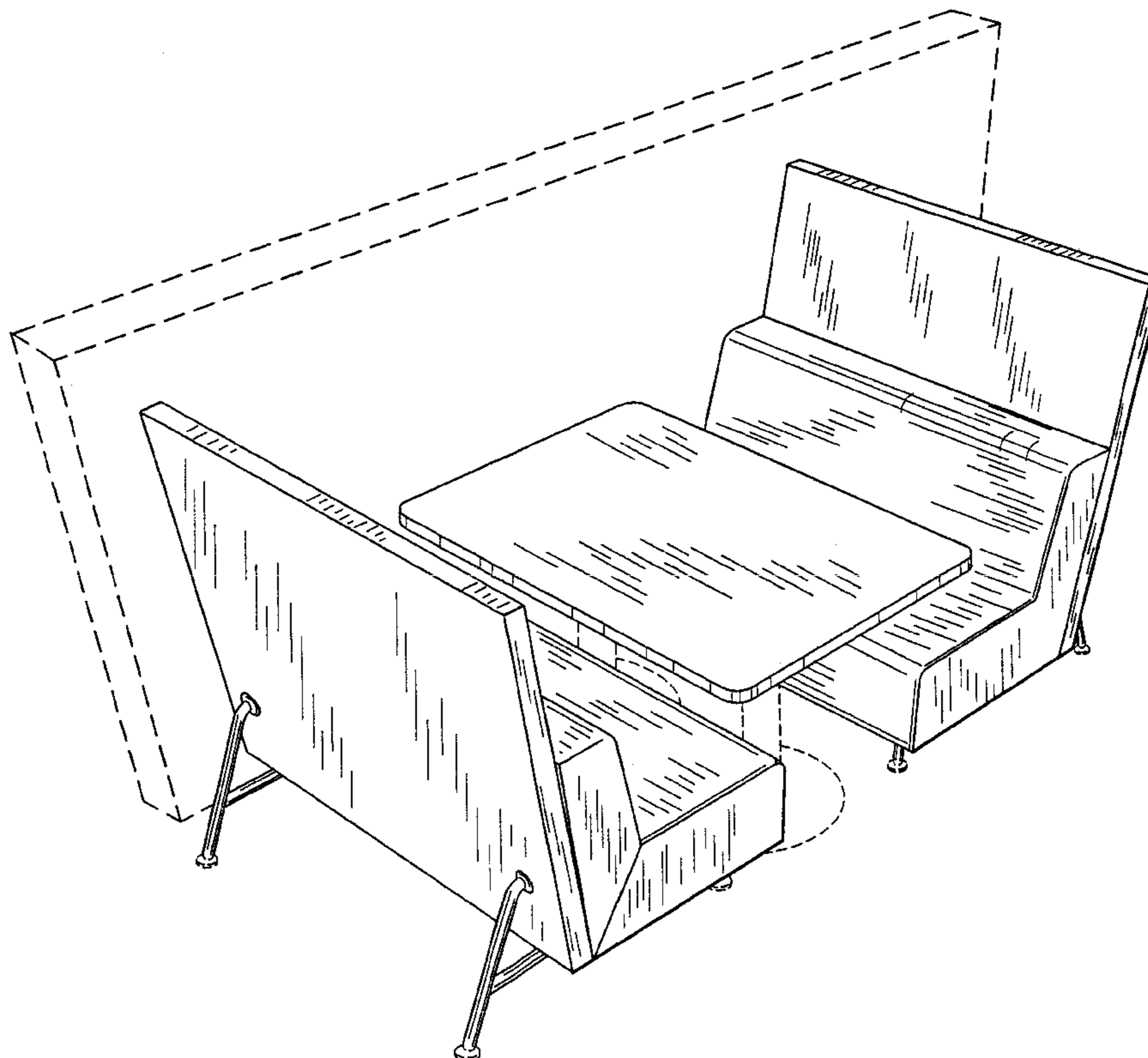
FIG. 2 is a side view of FIG. 1;

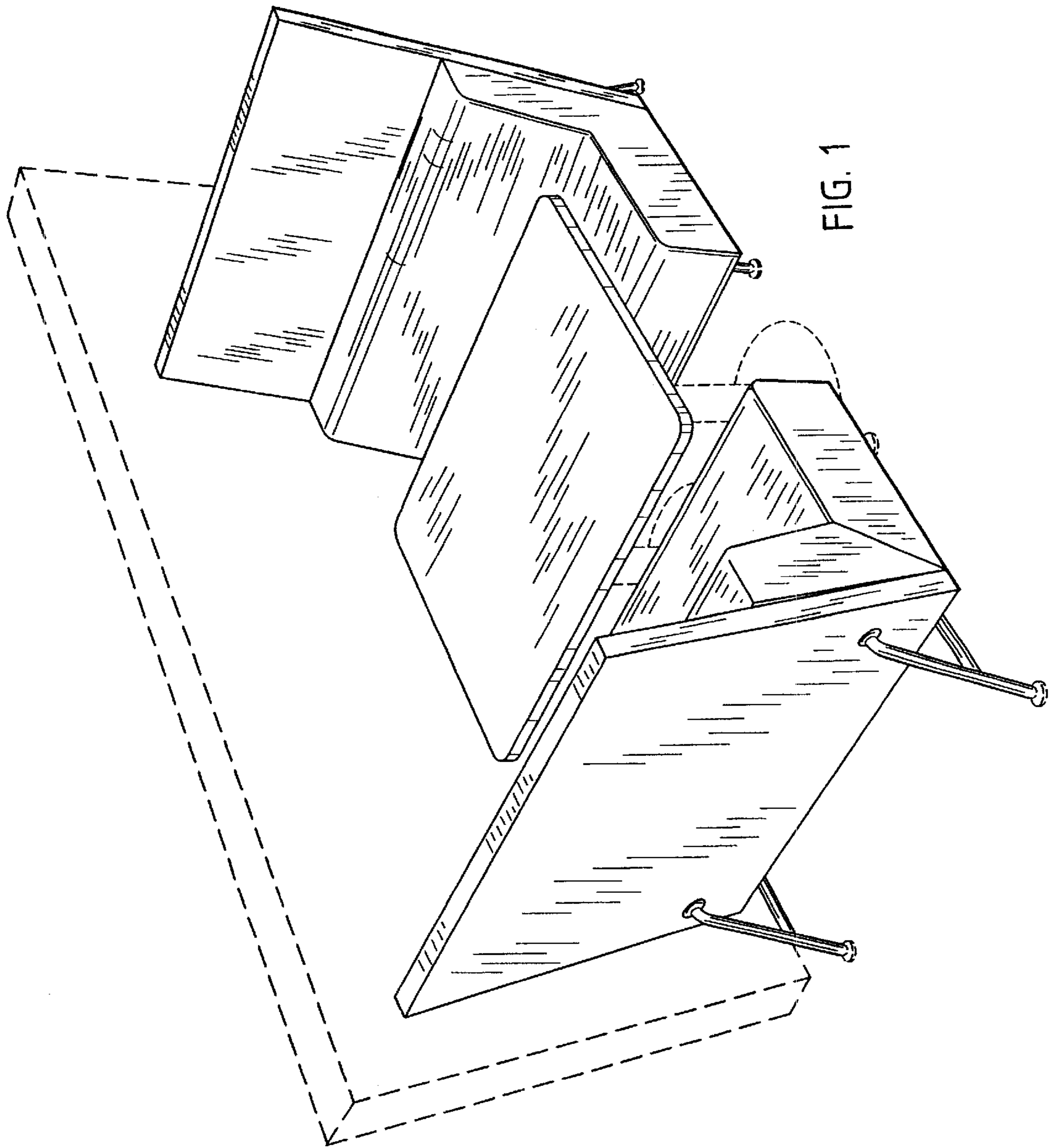
FIG. 3 is a rear view of FIG. 1; and,

FIG. 4 is a top view of FIG. 1.

The dashed lines show the environment and do not form a part of the design sought to be patented.

1 Claim, 4 Drawing Sheets





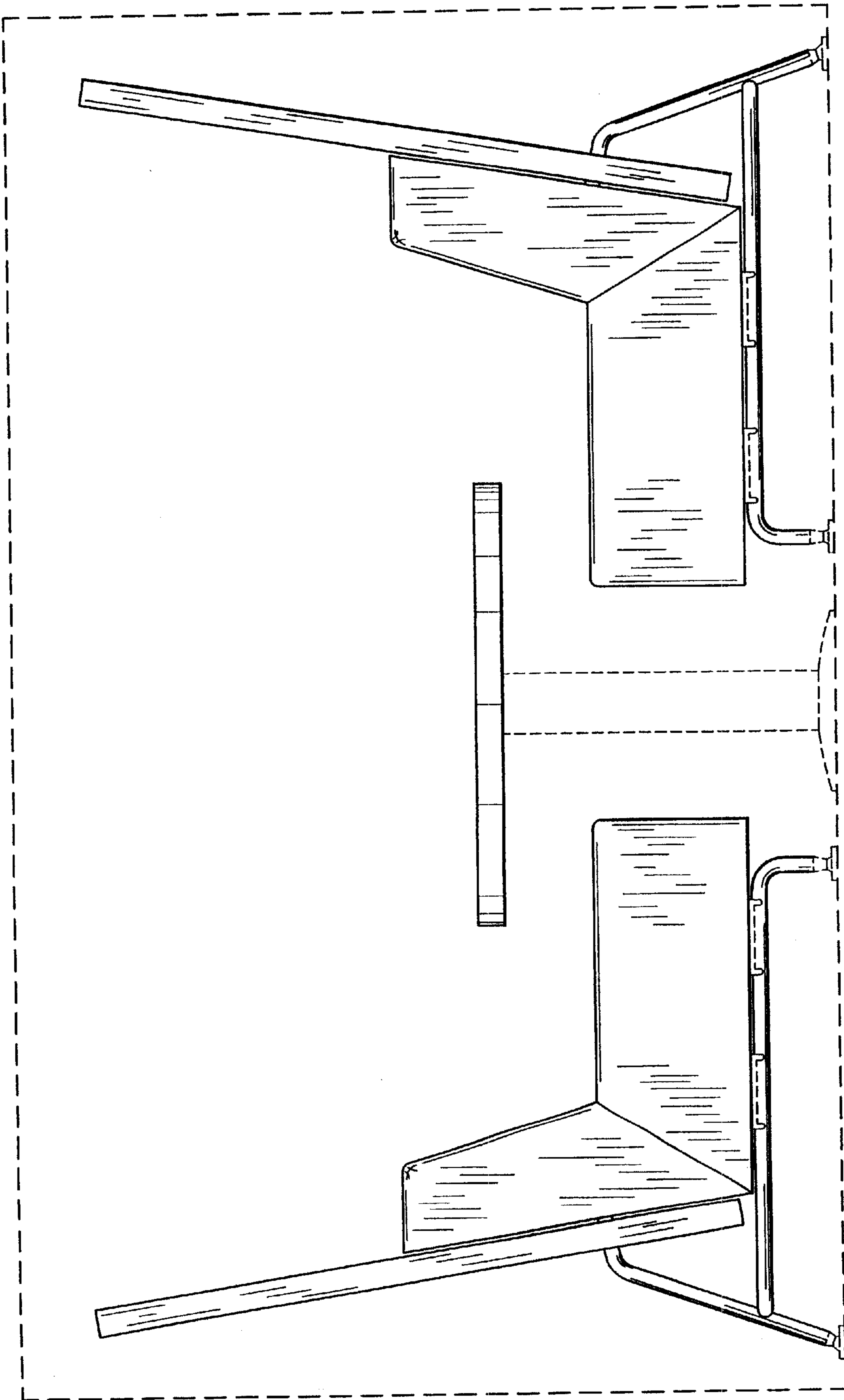


FIG. 2

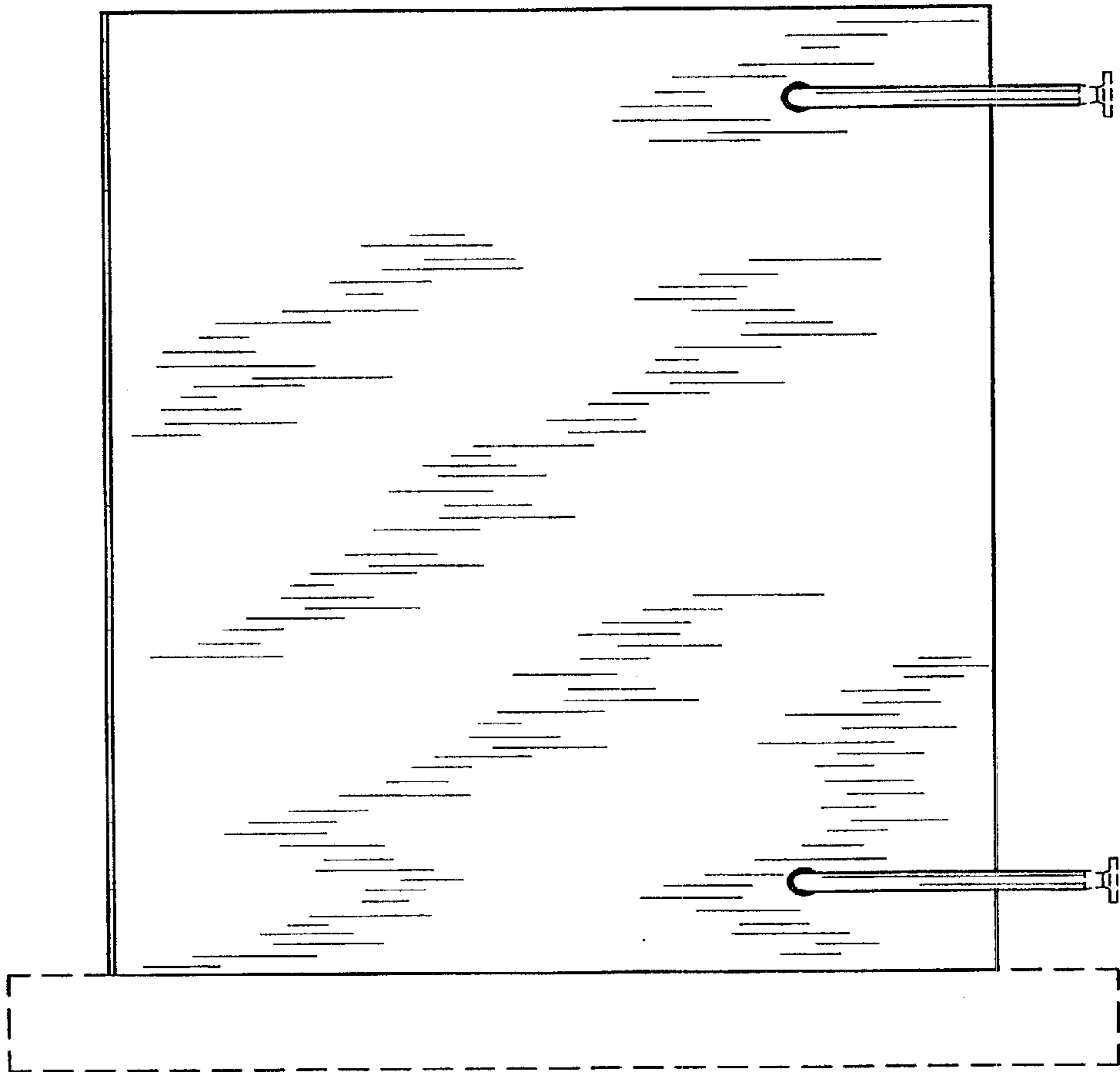


FIG. 3

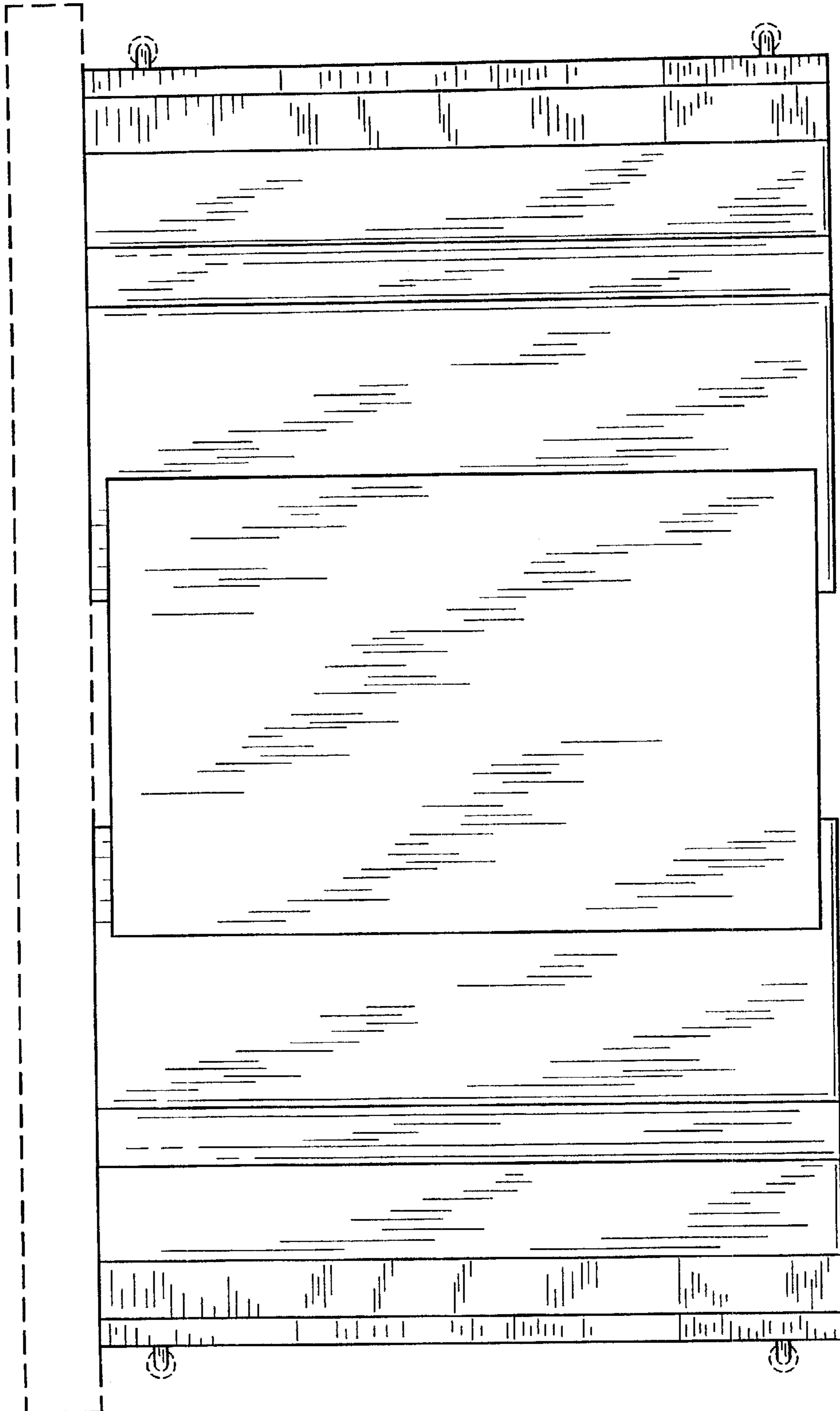


FIG. 4