



US00D482527S

(12) **United States Design Patent**  
**Fair**

(10) **Patent No.:** **US D482,527 S**

(45) **Date of Patent:** **\*\* Nov. 25, 2003**

(54) **CAMCORDER STORAGE CONTAINER**

D472,706 S \* 4/2003 Hassett ..... D3/289  
D473,051 S \* 4/2003 Hassett ..... D3/267

(75) **Inventor:** **Paul Fair**, Denver, CO (US)

**OTHER PUBLICATIONS**

(73) **Assignee:** **Case Logic, Inc.**, Longmont, CO (US)

Tamarac 20<sup>th</sup> Anniversary Catalog, pp. 2, 28–29 and 50, undated.

(\*\*) **Term:** **14 Years**

LOWEPRO2000 Catalog, pp. 29 and 51, undated.

(21) **Appl. No.:** **29/169,167**

Case Logic 2002 What's Inside Survives Catalog, p. 30.

(22) **Filed:** **Oct. 14, 2002**

AMBICO Video Luggage & Photo Cases Catalog, p. 5, undated.

(51) **LOC (7) Cl.** ..... **03-01**

Samsonite German Catalog, pp. 130, 140, 150, 180, 190 and 200, undated.

(52) **U.S. Cl.** ..... **D3/267; D3/263**

(58) **Field of Search** ..... D3/208, 215, 219,  
D3/225, 226, 243, 263, 267, 268, 270,  
273, 276, 283, 285, 287, 289, 290, 301;  
D6/632; D21/618, 654; 206/316.1, 316.2;  
224/583, 612, 908

\* cited by examiner

*Primary Examiner*—Celia Murphy

(74) *Attorney, Agent, or Firm*—Sheridan Ross P.C.

(56) **References Cited**

(57) **CLAIM**

The ornamental design for a camcorder storage container, as shown and described.

**U.S. PATENT DOCUMENTS**

**DESCRIPTION**

- 2,691,401 A \* 10/1954 Kontoff
- 2,960,137 A \* 11/1960 Lipsitz
- D273,533 S \* 4/1984 Weinreb ..... D3/268
- 4,545,414 A \* 10/1985 Baum
- D442,777 S \* 5/2001 Smith ..... D3/226
- D447,631 S \* 9/2001 Hillman ..... D3/289
- D455,256 S \* 4/2002 Tyler ..... D3/219
- D458,447 S \* 6/2002 Tyler ..... D3/267
- D460,256 S \* 7/2002 Hillman ..... D3/219
- D465,326 S 11/2002 Hassett ..... D3/263
- D465,328 S \* 11/2002 Hassett ..... D3/267
- D465,329 S \* 11/2002 Hassett ..... D3/267
- D467,073 S \* 12/2002 Hassett ..... D3/267
- D467,074 S \* 12/2002 Hillman ..... D3/267
- D472,379 S \* 4/2003 Hillman ..... D3/267
- D472,380 S \* 4/2003 Hillman ..... D3/267

FIG. 1 is a front perspective view of a camcorder container showing my new design with the front flap and pocket in an open position; the broken lines representing environment and forming no part of the claimed design;

FIG. 2 is a front elevational view thereof, shown in a closed position;

FIG. 3 is a rear elevational view of FIG. 2;

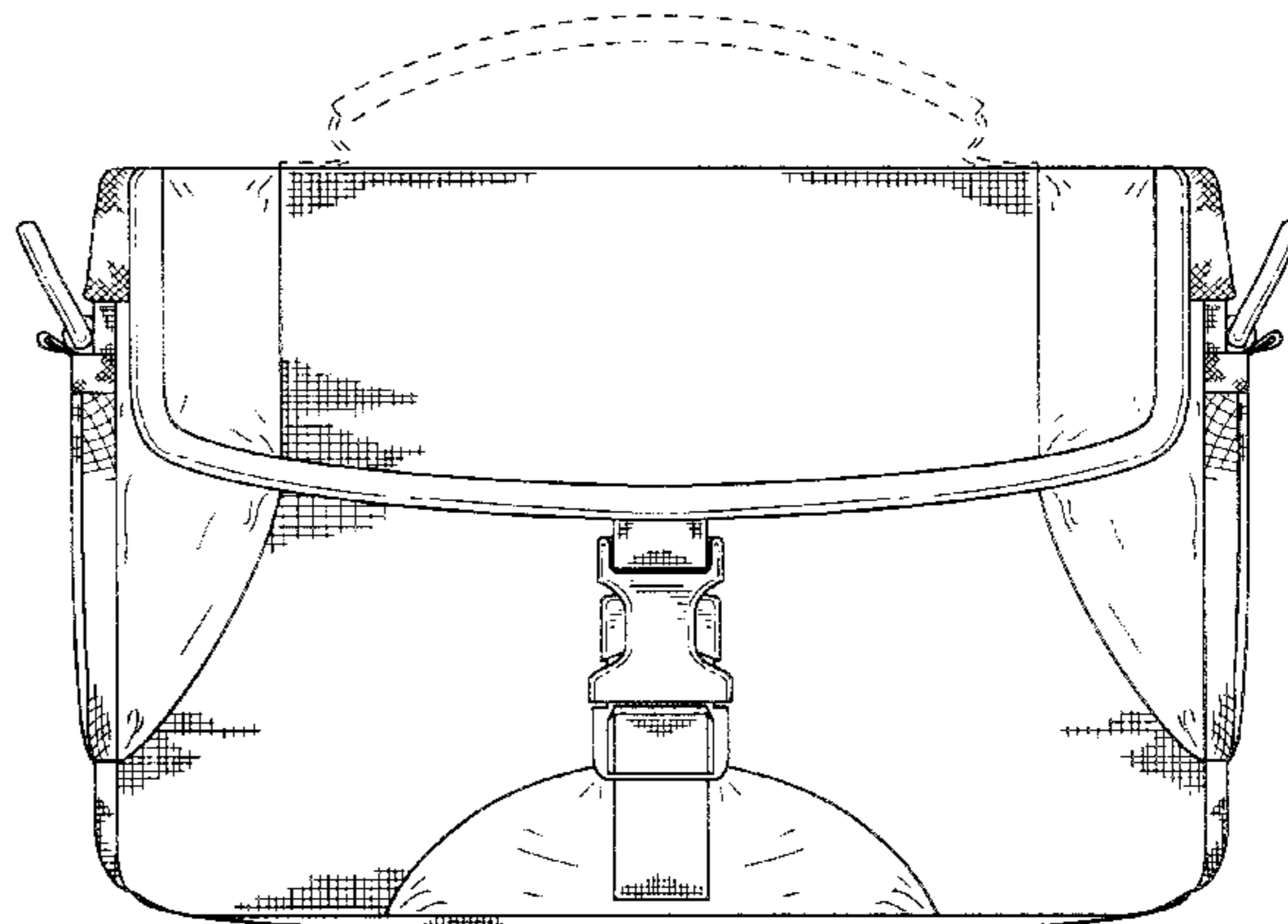
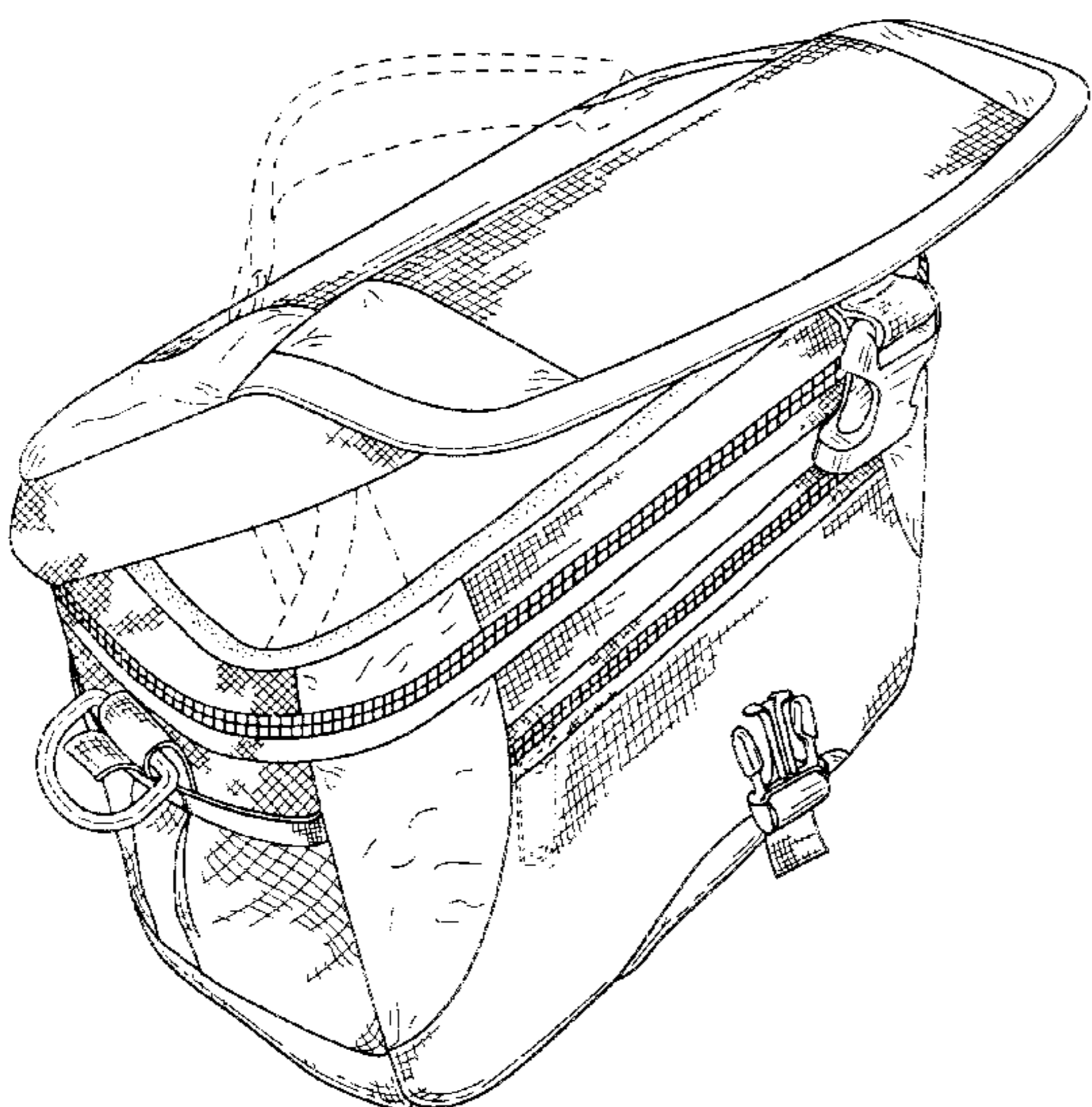
FIG. 4 is a right side elevational view of FIG. 2;

FIG. 5 is a left side elevational view of FIG. 2;

FIG. 6 is a top plan view of FIG. 2; and,

FIG. 7 is a bottom plan view of FIG. 2.

**1 Claim, 4 Drawing Sheets**



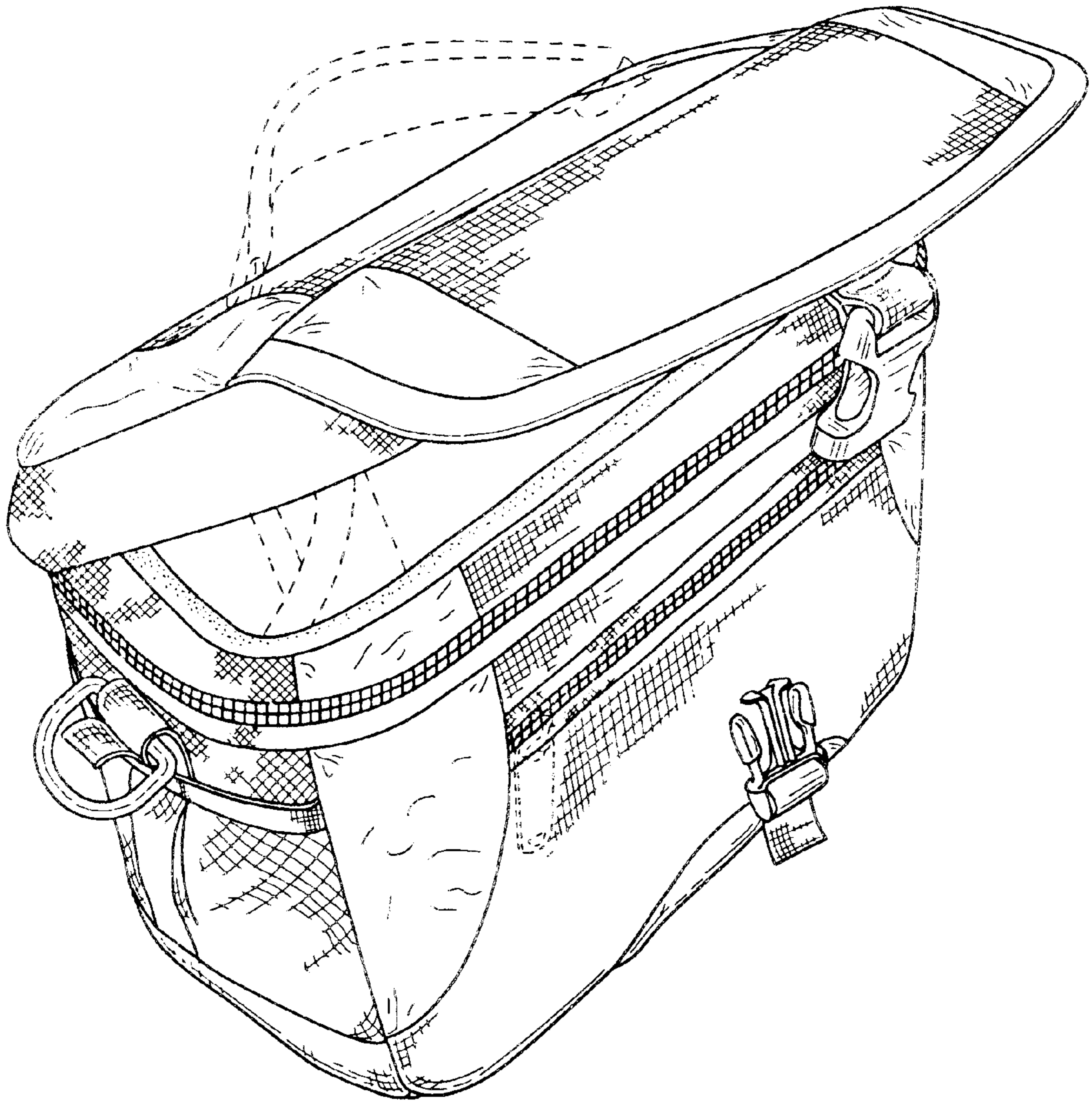


FIG. 1



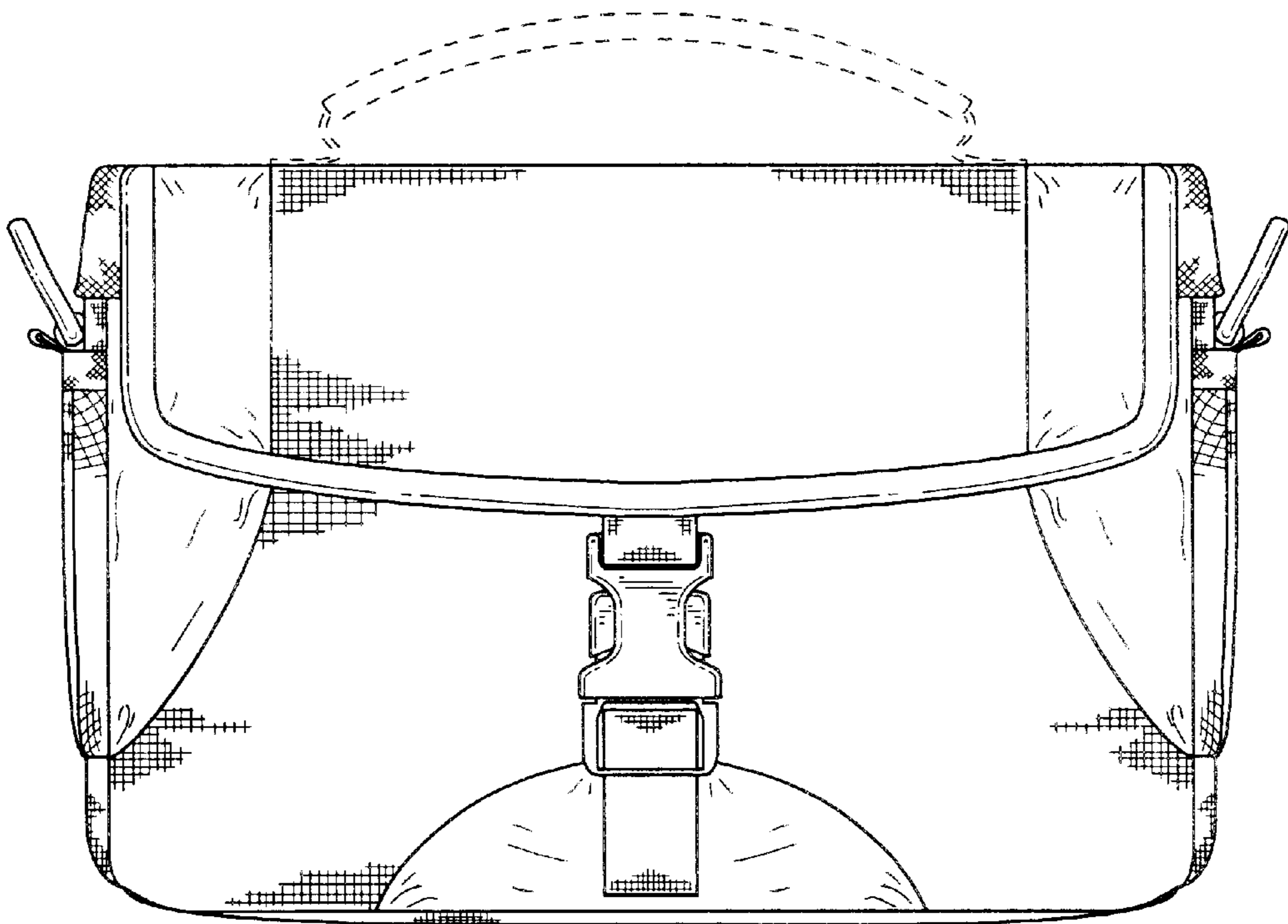


FIG. 2

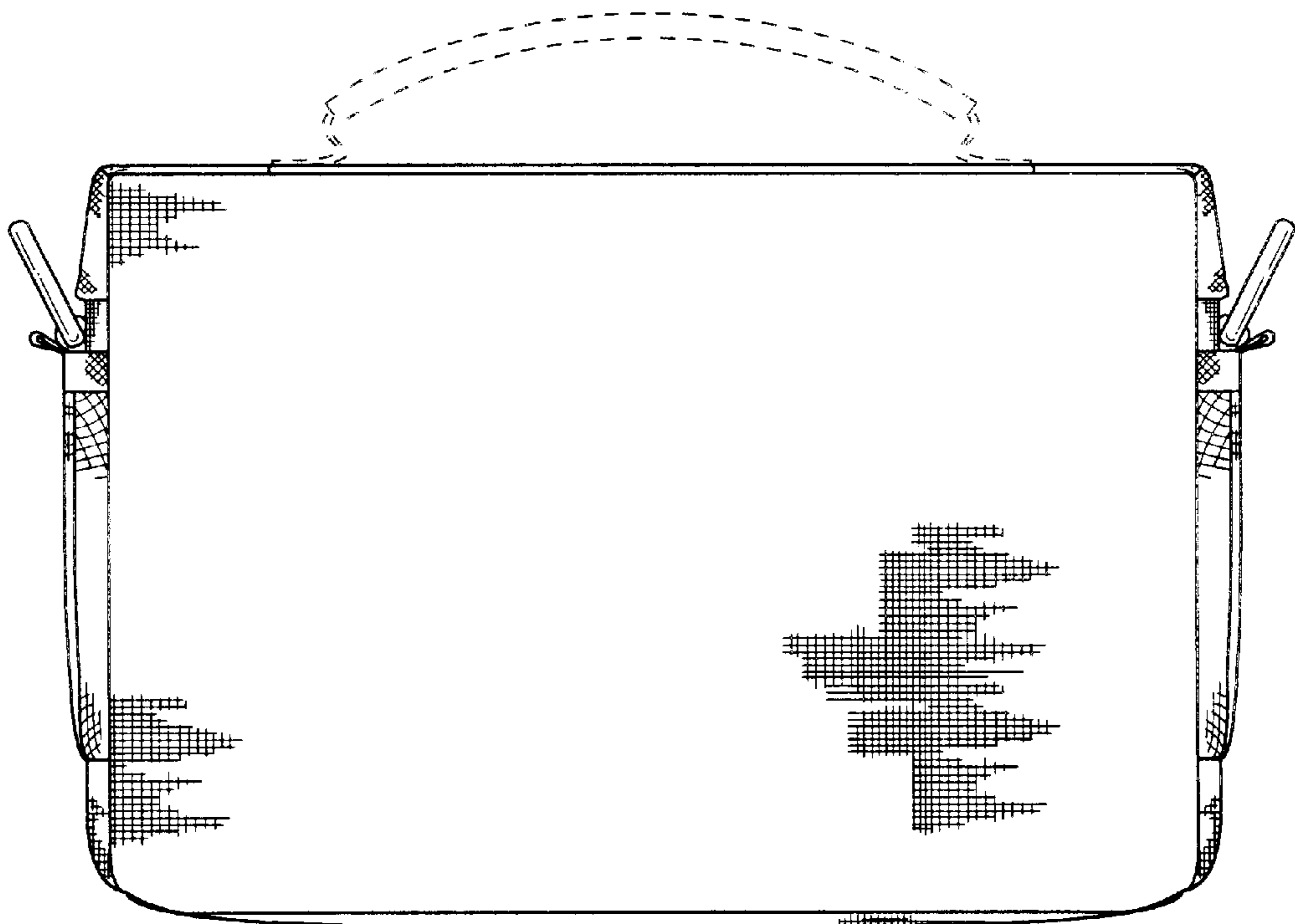


FIG. 3

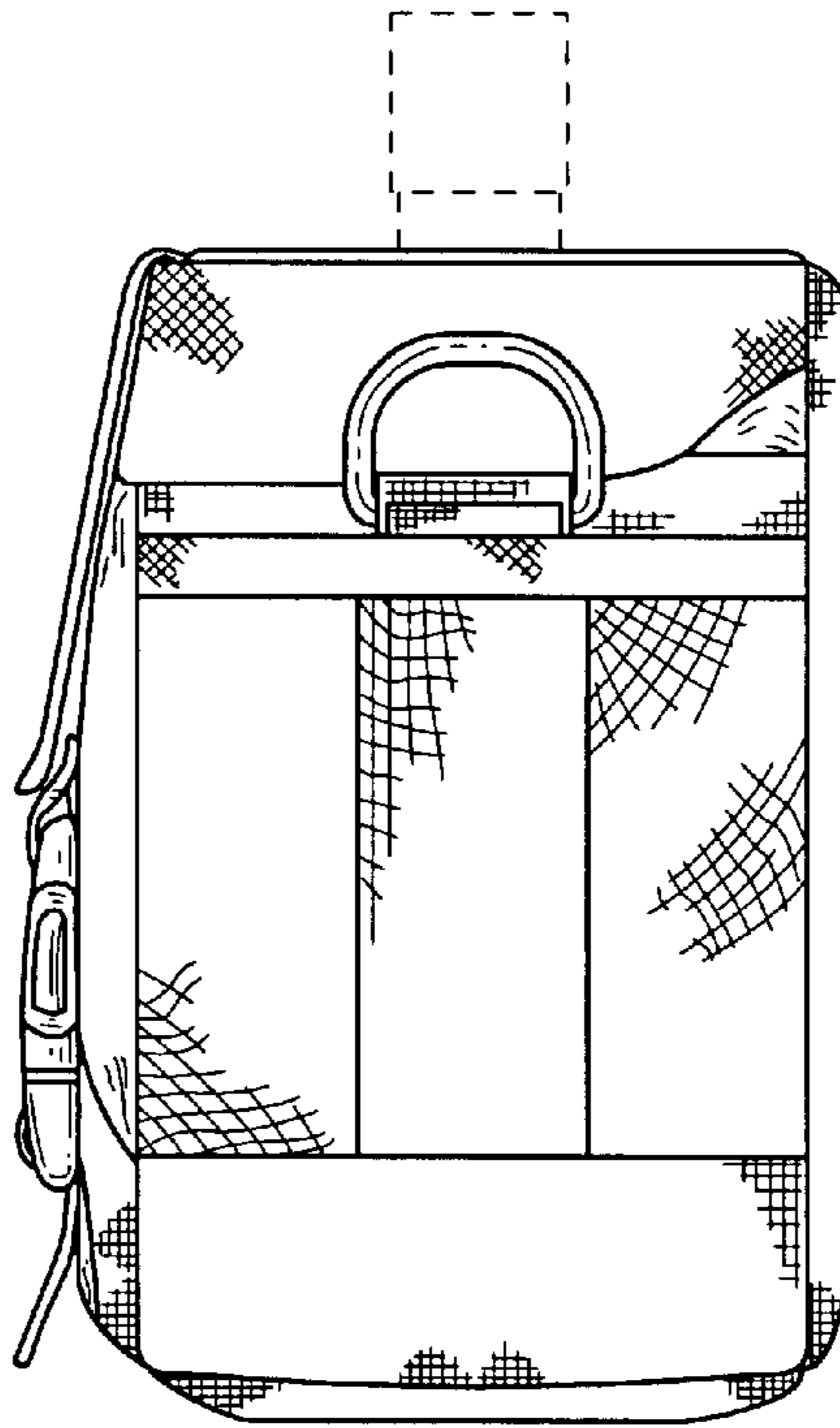


FIG. 4

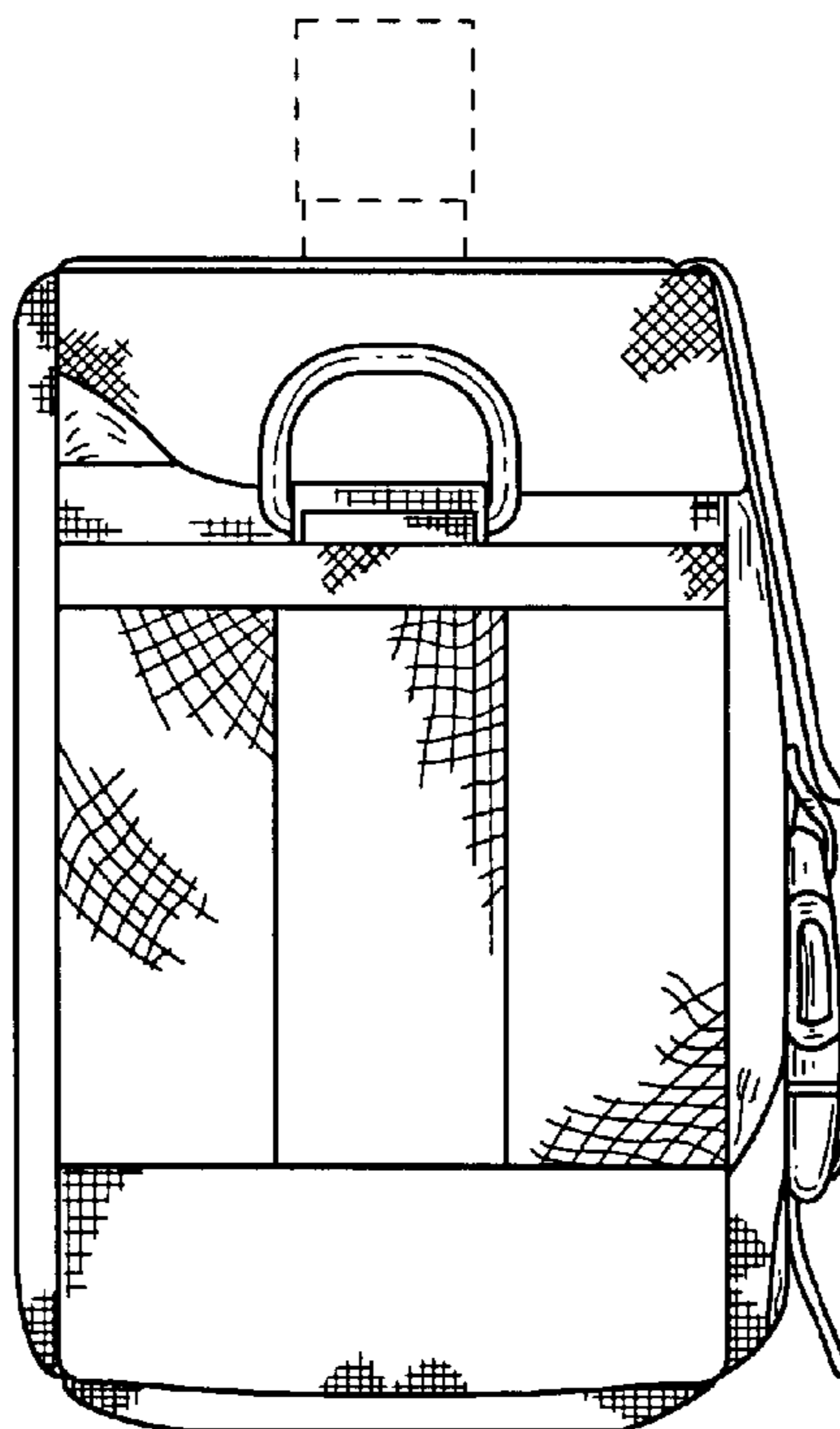


FIG. 5

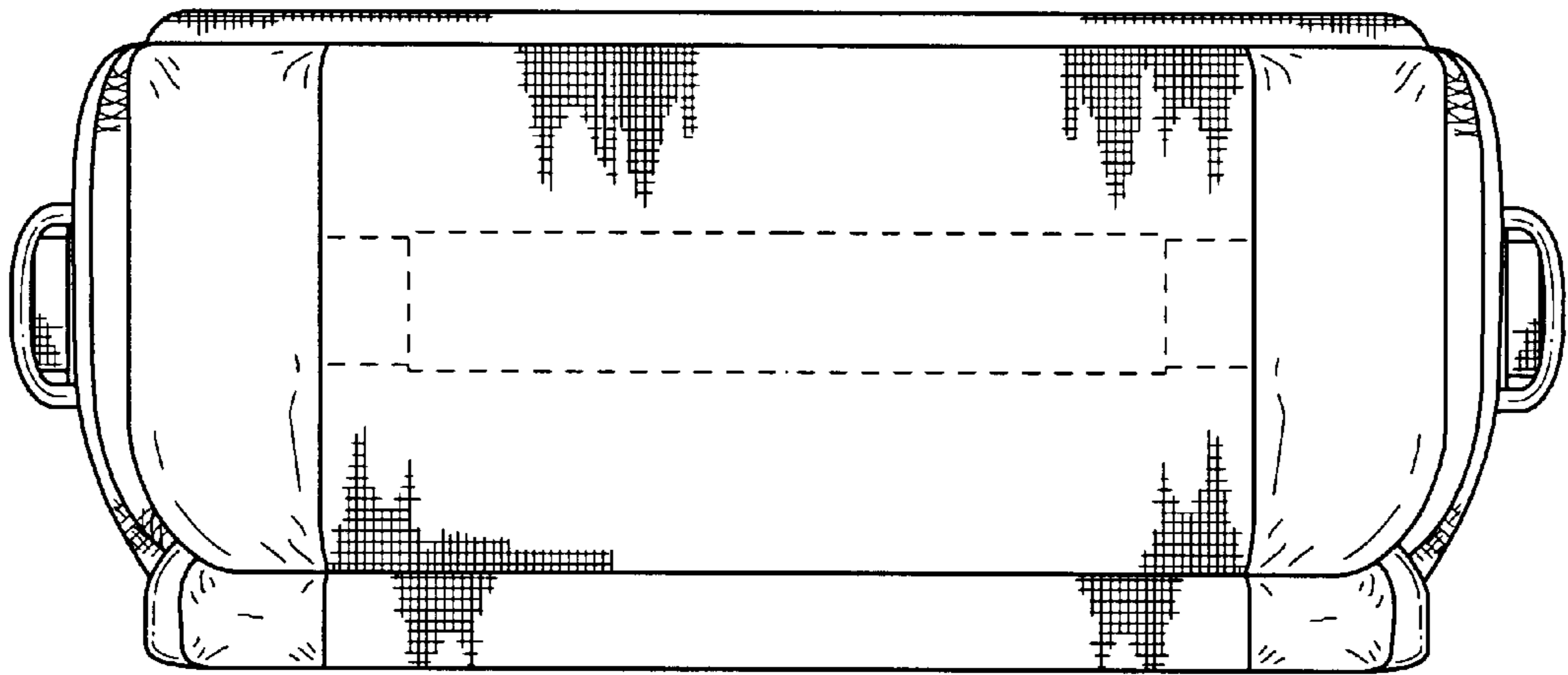


FIG. 6

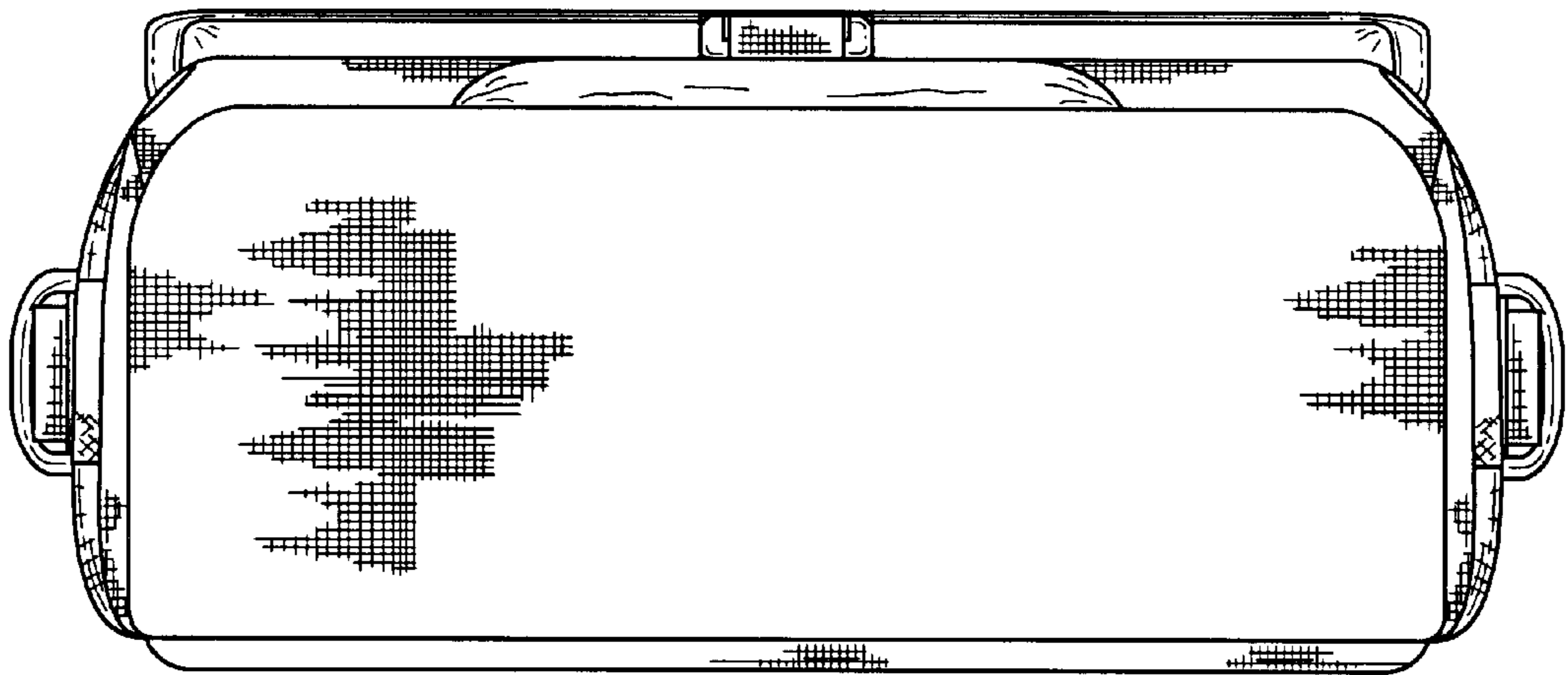


FIG. 7