



US00D482525S

(12) **United States Design Patent**
Fair

(10) **Patent No.:** **US D482,525 S**

(45) **Date of Patent:** **** Nov. 25, 2003**

(54) **STORAGE CASE FOR A CAMCORDER**

(75) Inventor: **Paul Fair**, Denver, CO (US)

(73) Assignee: **Case Logic, Inc.**, Longmont, CO (US)

(**) Term: **14 Years**

(21) Appl. No.: **29/168,947**

(22) Filed: **Oct. 11, 2002**

(51) **LOC (7) Cl.** **03-01**

(52) **U.S. Cl.** **D3/267; D3/263**

(58) **Field of Search** D3/208, 215, 219,
D3/225, 226, 243, 263, 267, 268, 270,
273, 276, 283, 285, 287, 289, 290, 301;
D6/632; D21/618, 654; 206/316.1, 316.2;
224/583, 612, 908

(56) **References Cited**

U.S. PATENT DOCUMENTS

2,691,401	A	*	10/1954	Kontoff	
2,960,137	A	*	11/1960	Lipsitz	
D273,533	S	*	4/1984	Weinreb D3/268
4,545,414	A	*	10/1985	Baum	
D442,777	S	*	5/2001	Smith D3/226
D447,631	S	*	9/2001	Hillman D3/289
D455,256	S	*	4/2002	Tyler D3/219
D458,447	S	*	6/2002	Tyler D3/267
D460,256	S	*	7/2002	Hillman D3/219
D465,326	S		11/2002	Hassett D3/263
D465,328	S		11/2002	Hassett D3/267
D465,329	S		11/2002	Hassett D3/267
D467,073	S	*	12/2002	Hassett D3/267
D467,074	S	*	12/2002	Hillman D3/267
D472,379	S	*	4/2003	Hillman D3/267
D472,380	S	*	4/2003	Hillman D3/267
D472,706	S	*	4/2003	Hassett D3/289
D473,051	S	*	4/2003	Hassett D3/267

OTHER PUBLICATIONS

Case Logic 1999 Catalog, pp. 2, and 22.
Case Logic Spring 2000 Catalog, p. 24.
Case Logic What's Inside Survives 2002 Catalog, pp. 30, and 31.
LOWEPRO 2000 Catalog, pp. 29, 31, 33, 41 and 51.
Ambico Video Luggage & Photo Cases, Catalog, p. 5.
Tamrac 20th Anniversary Catalog, pp. 2, 16, 17, 21, 22, 28, 29, 39 and 43.
Samsonite German Photo Video Catalog, pp. 130, 140, 150, 180 and 210.

* cited by examiner

Primary Examiner—Celia Murphy

(74) *Attorney, Agent, or Firm*—Sheridan Ross P.C.

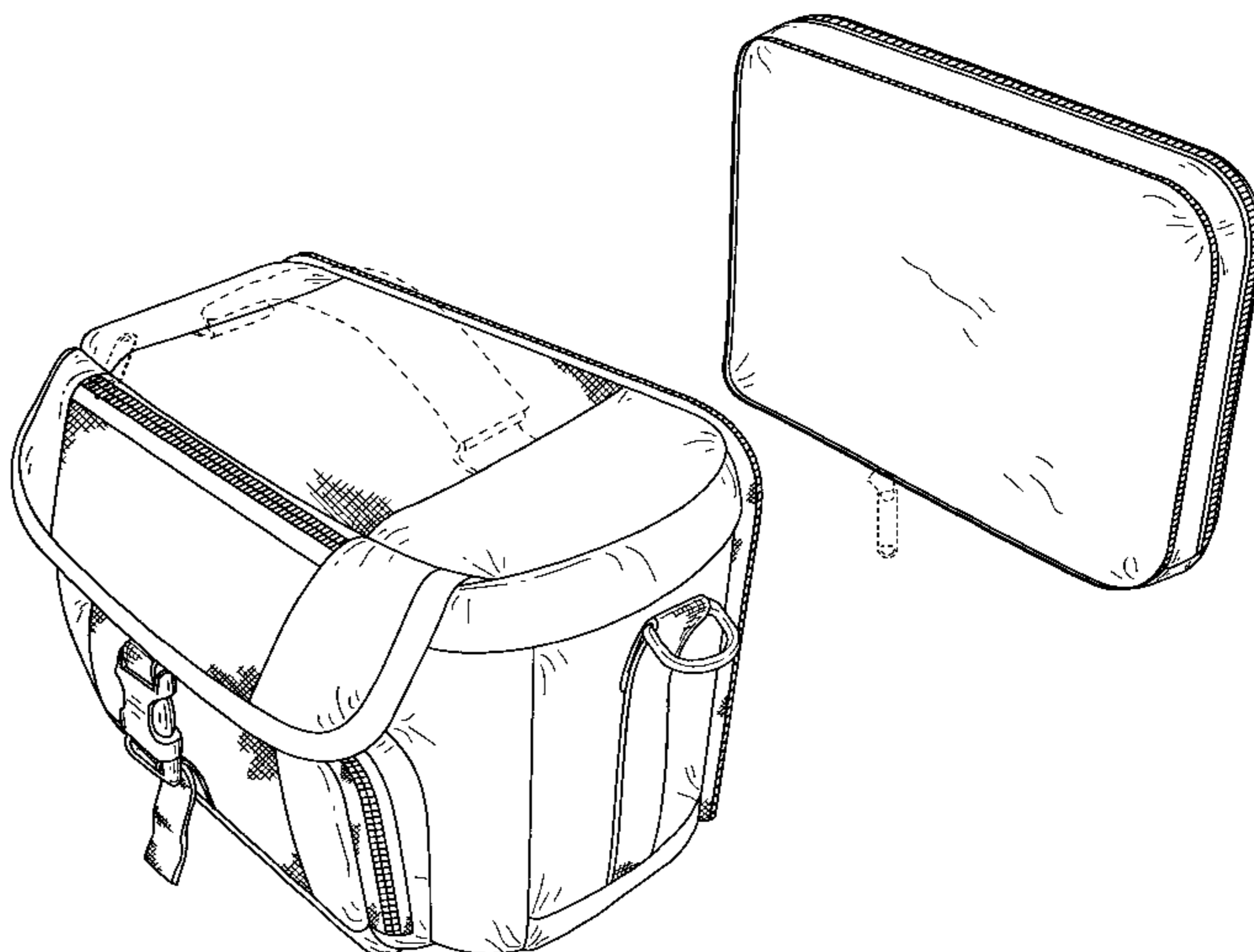
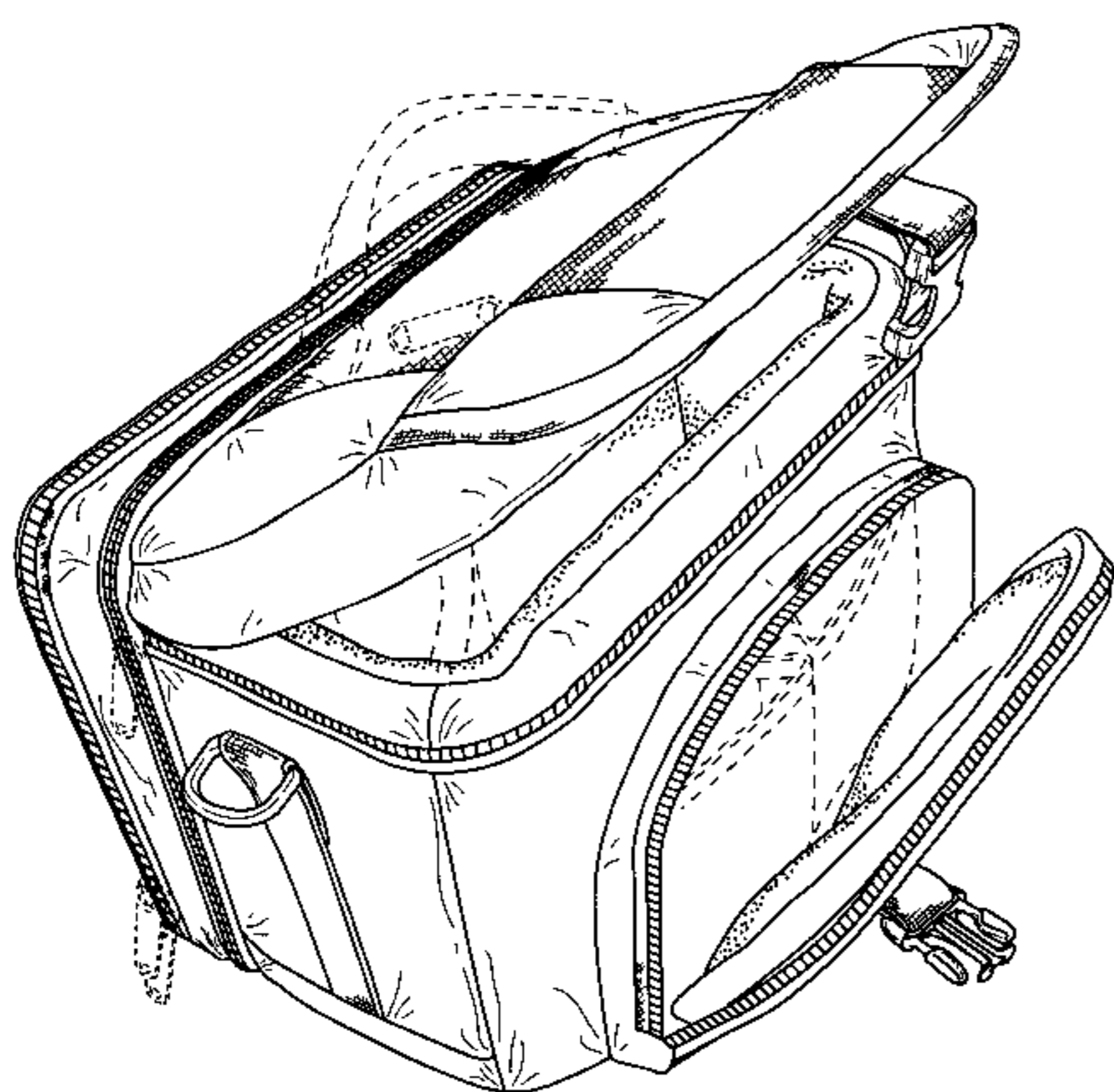
(57) **CLAIM**

The ornamental design for a storage case for a camcorder, as shown and described.

DESCRIPTION

FIG. 1 is a front perspective view of a storage case for a camcorder showing my new design with the front flap and pocket in and open position; the broken lines representing environment and forming no part of the claimed design; FIG. 2 is a right front exploded view thereof, shown in a closed position, with the rear storage pocket removed; FIG. 3 is a front elevational view of FIG. 1 shown in a closed position; FIG. 4 is a rear elevational view of FIG. 3; FIG. 5 is a right side elevational view of FIG. 3; FIG. 6 is a left side elevational view of FIG. 3; FIG. 7 is a bottom plan view of FIG. 3; and, FIG. 8 is a top plan view of FIG. 3.

1 Claim, 5 Drawing Sheets



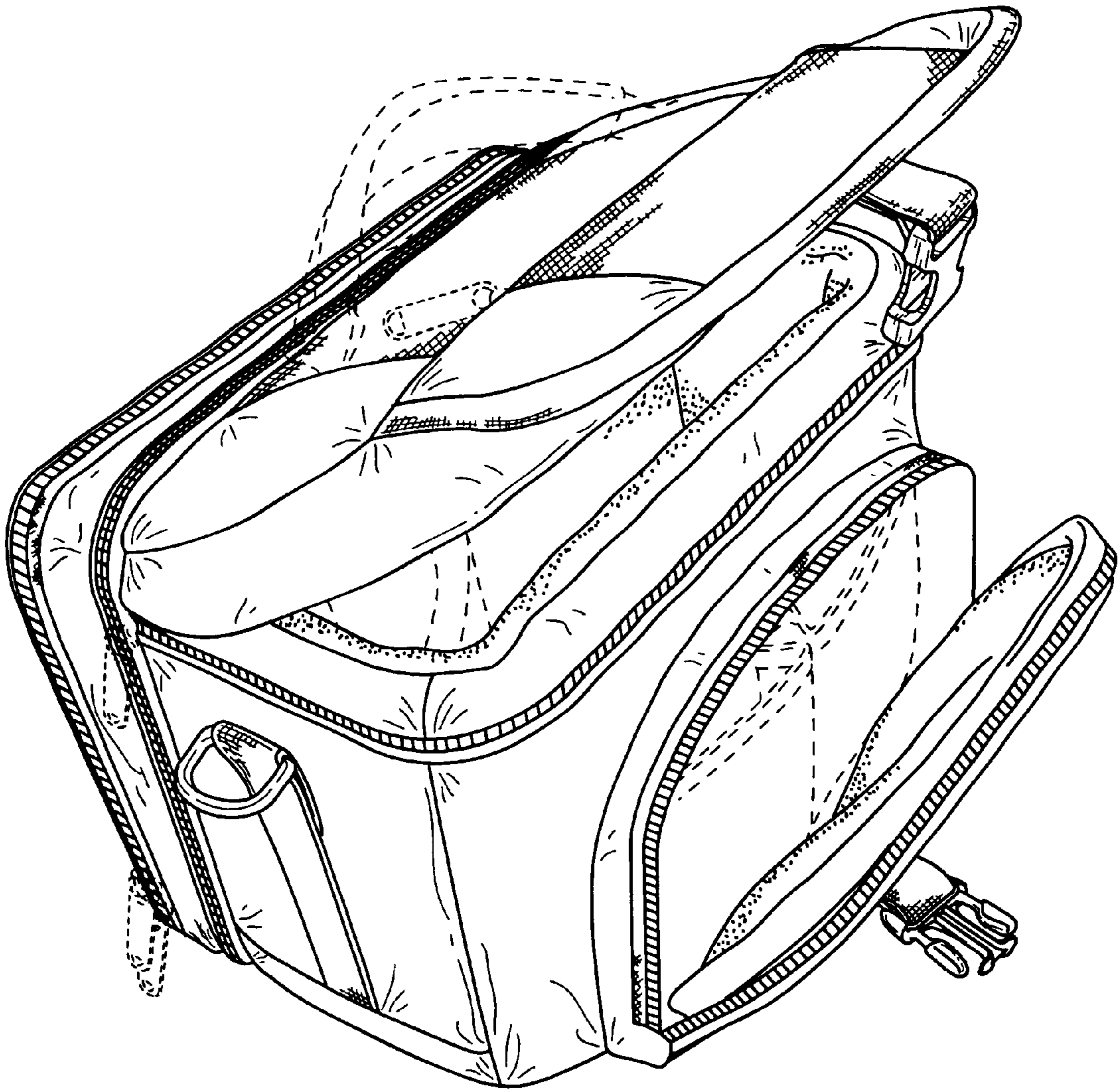


FIG. 1

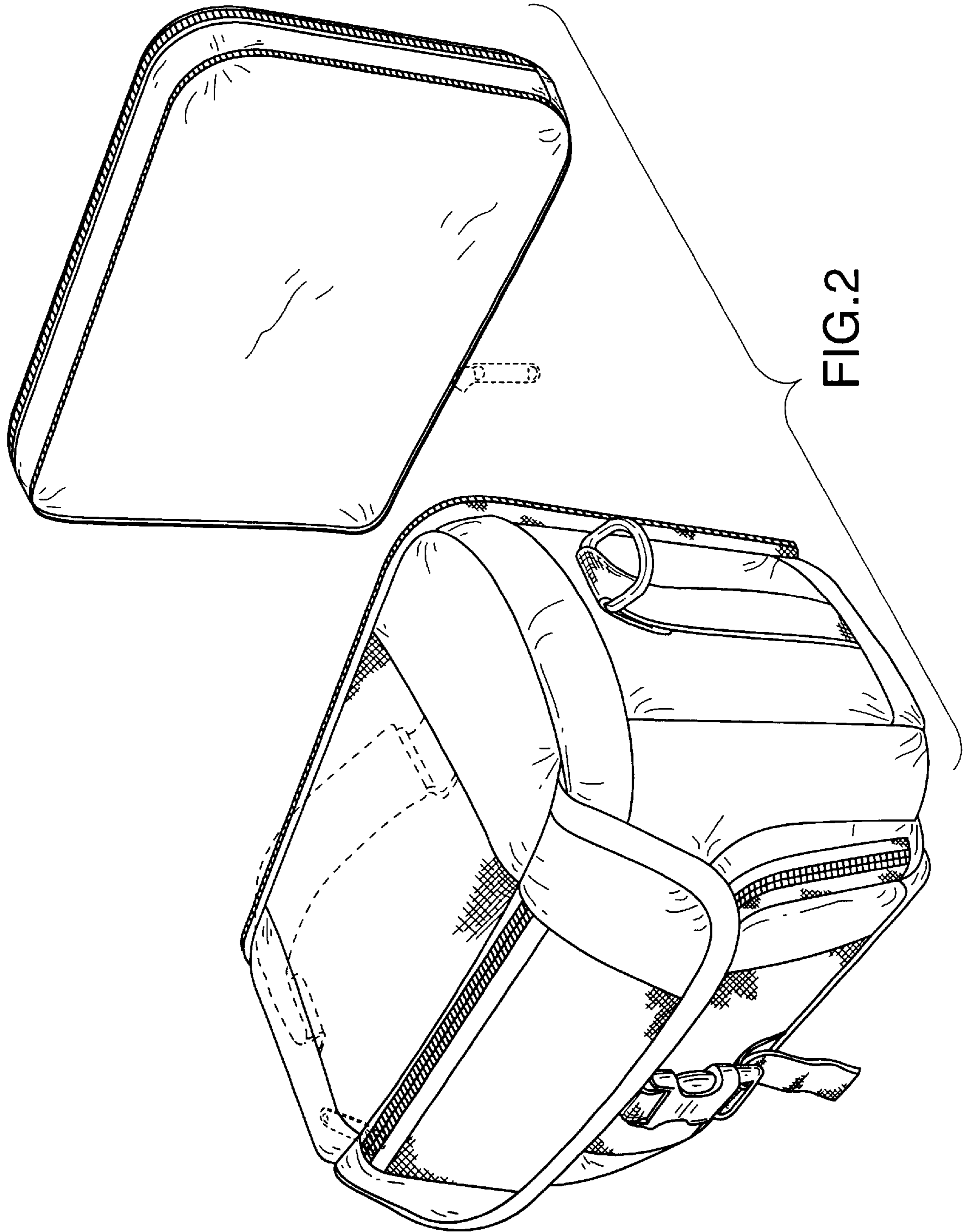


FIG. 2

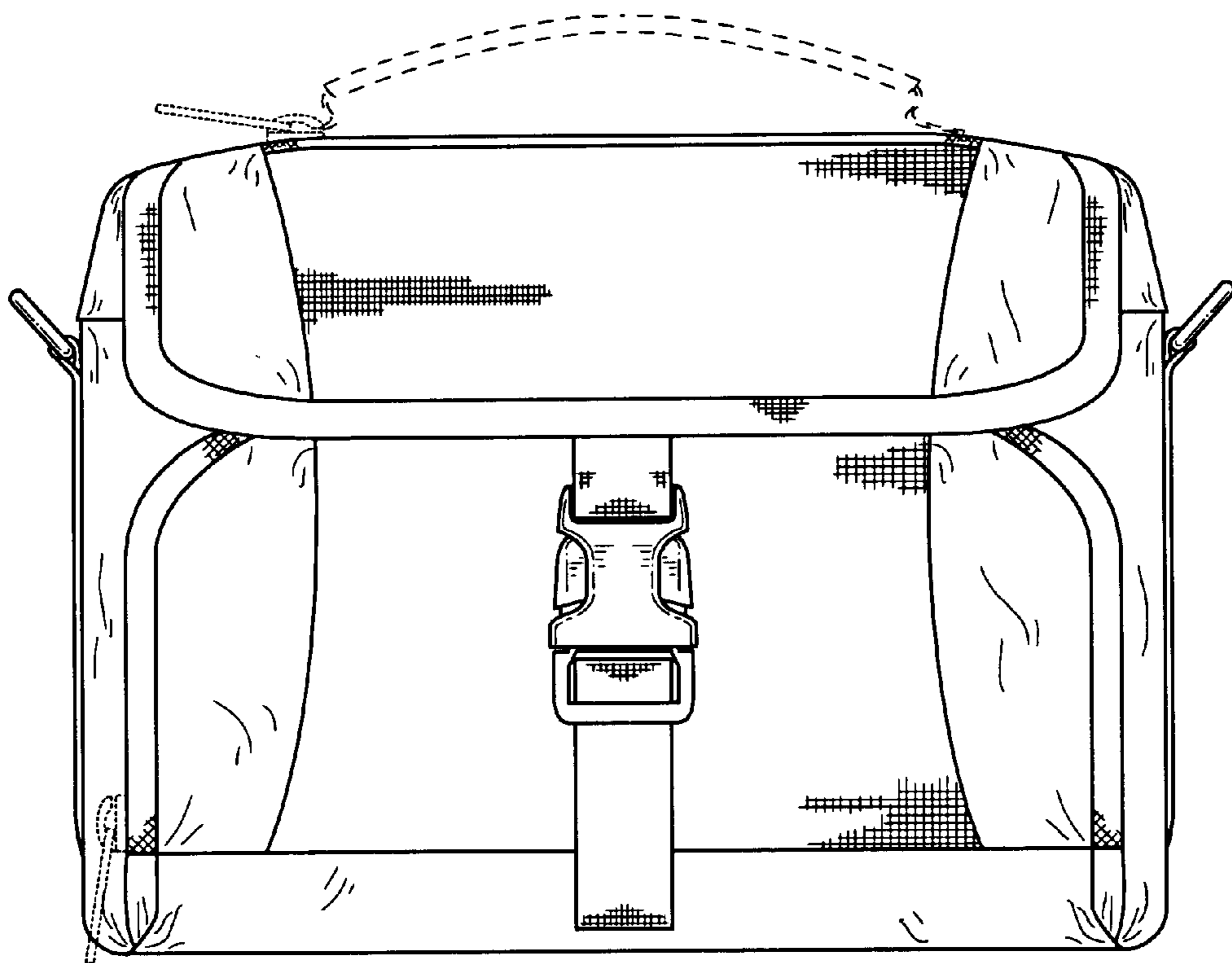


FIG. 3

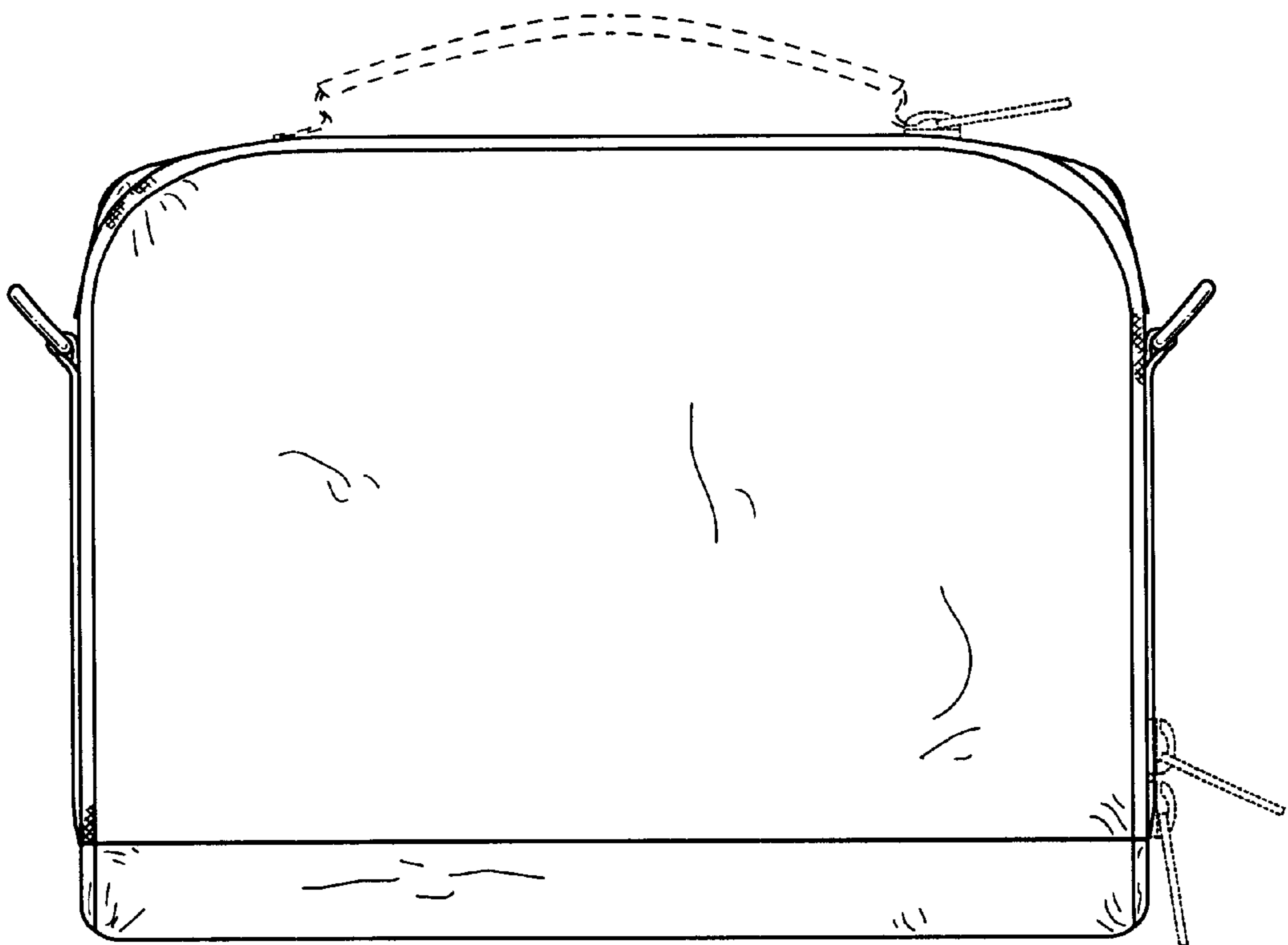


FIG. 4

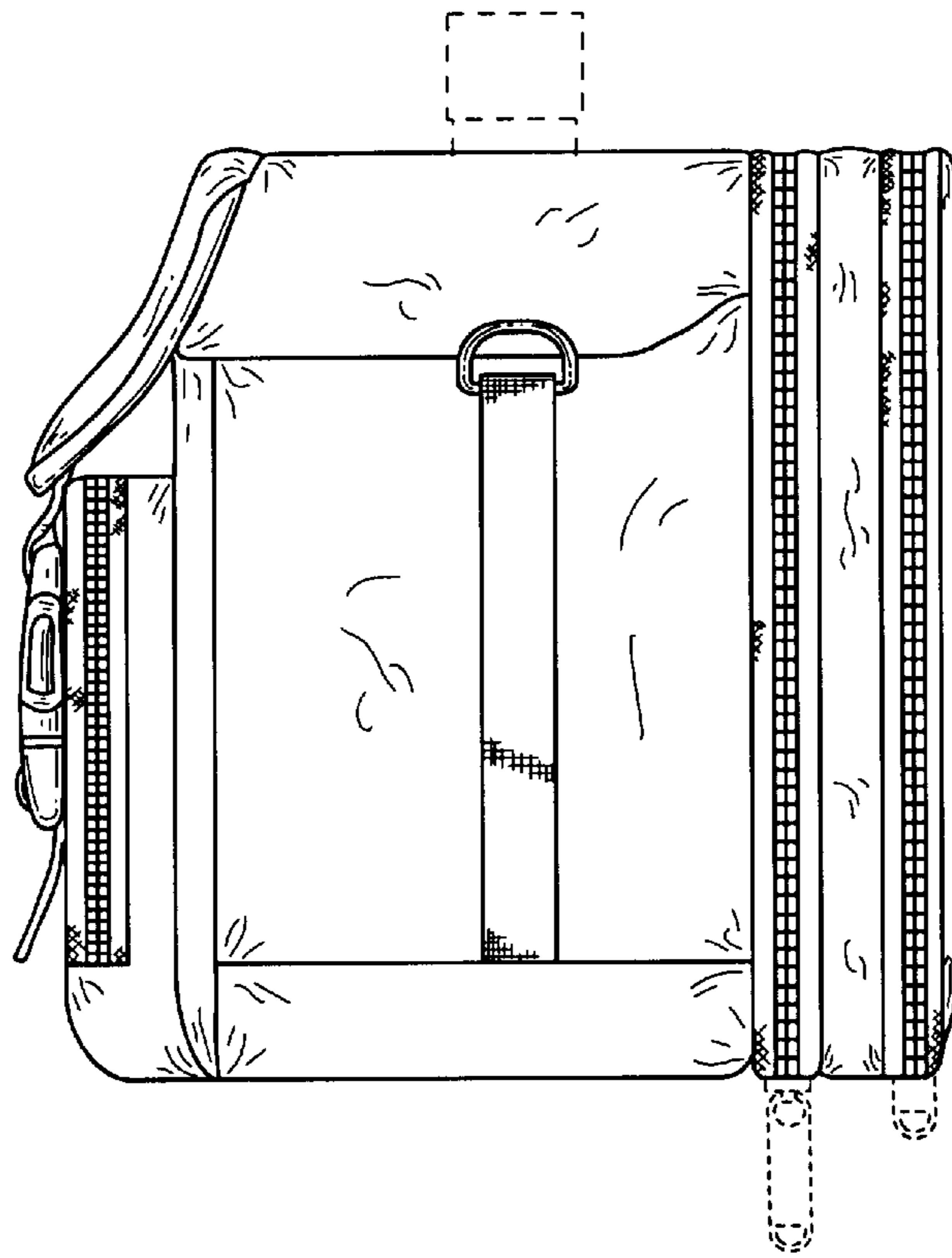


FIG. 5

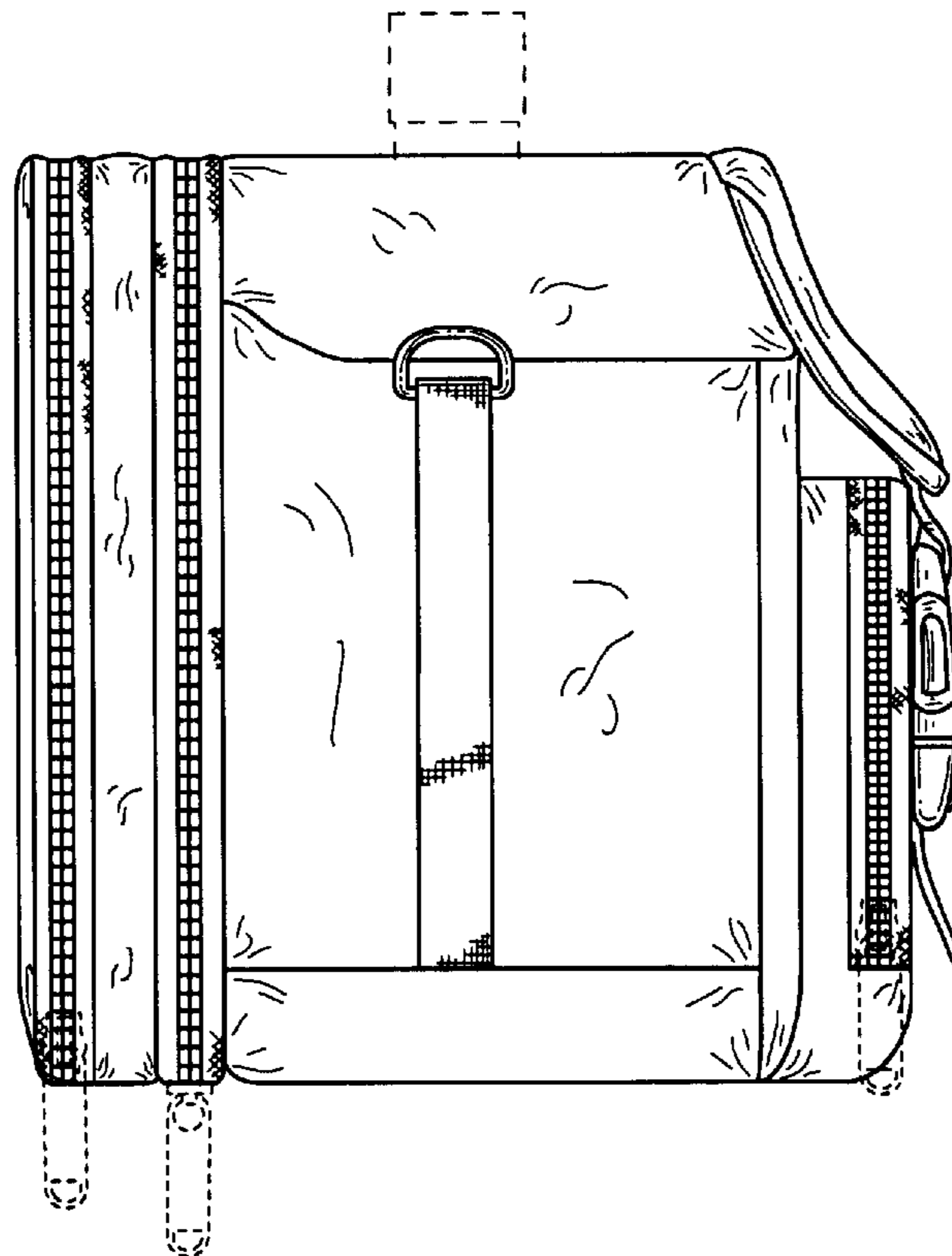


FIG. 6

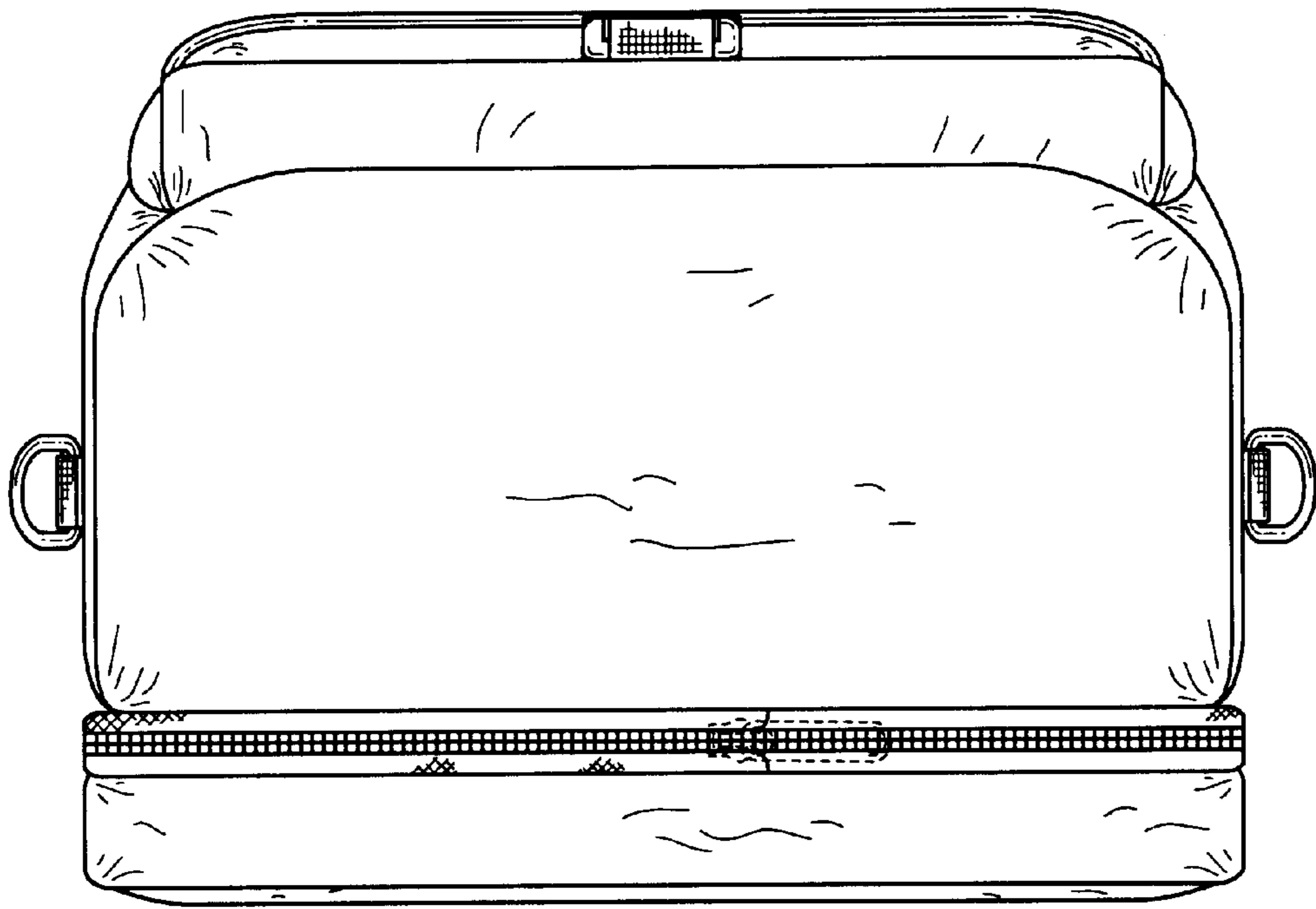


FIG. 7

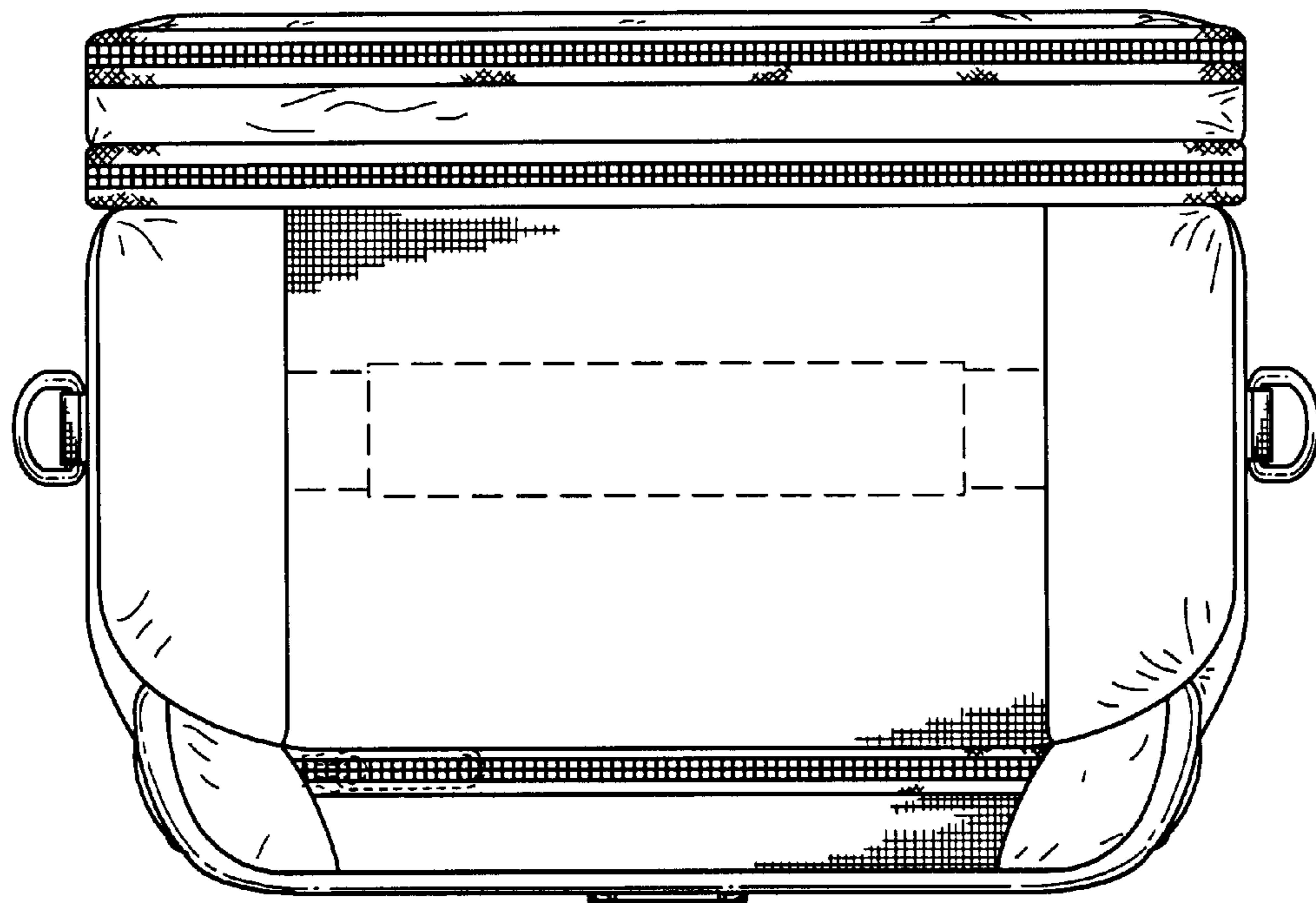


FIG. 8