



US00D482518S

(12) **United States Design Patent**
Nakajima

(10) **Patent No.:** **US D482,518 S**

(45) **Date of Patent:** **** Nov. 25, 2003**

(54) **CASE FOR MUSICAL INSTRUMENT**

(75) Inventor: **Kazuhito Nakajima**, Shizuoka (JP)

(73) Assignee: **Yamaha Corporation**, Shizuoka (JP)

(**) Term: **14 Years**

(21) Appl. No.: **29/169,958**

(22) Filed: **Oct. 30, 2002**

(30) **Foreign Application Priority Data**

Jul. 11, 2002 (JP) 2002-018666

(51) **LOC (7) Cl.** **03-01**

(52) **U.S. Cl.** **D3/204; D3/201; D3/273**

(58) **Field of Search** D3/204, 269, 272,
D3/273; 190/100, 900, 314; 206/14; 211/85.6;
224/910

(56) **References Cited**

U.S. PATENT DOCUMENTS

- 208,409 A * 9/1878 Menger
- 277,653 A * 5/1883 Albert
- 361,817 A * 4/1887 Piorini
- D42,984 S * 9/1912 Theiss

- D209,091 S * 10/1967 Daniel
- D225,033 S * 10/1972 Hyman
- D251,694 S * 4/1979 Zohn et al. D3/269
- D263,652 S * 4/1982 Peavey D3/204
- D280,359 S * 9/1985 Bohunsky D3/204
- D375,660 S * 11/1996 Parris D7/628
- D388,601 S * 1/1998 Edwards D3/204

* cited by examiner

Primary Examiner—Celia Murphy

(74) *Attorney, Agent, or Firm*—Sughrue Mion, PLLC

(57) **CLAIM**

The ornamental design for a case for musical instrument, as shown.

DESCRIPTION

FIG. 1 is a top plan view of a case for musical instrument showing my new design;
 FIG. 2 is a front elevational view thereof;
 FIG. 3 is a right side elevational view thereof;
 FIG. 4 is a rear elevational view thereof;
 FIG. 5 is a left side elevational view thereof; and,
 FIG. 6 is a bottom plan view thereof.

1 Claim, 2 Drawing Sheets

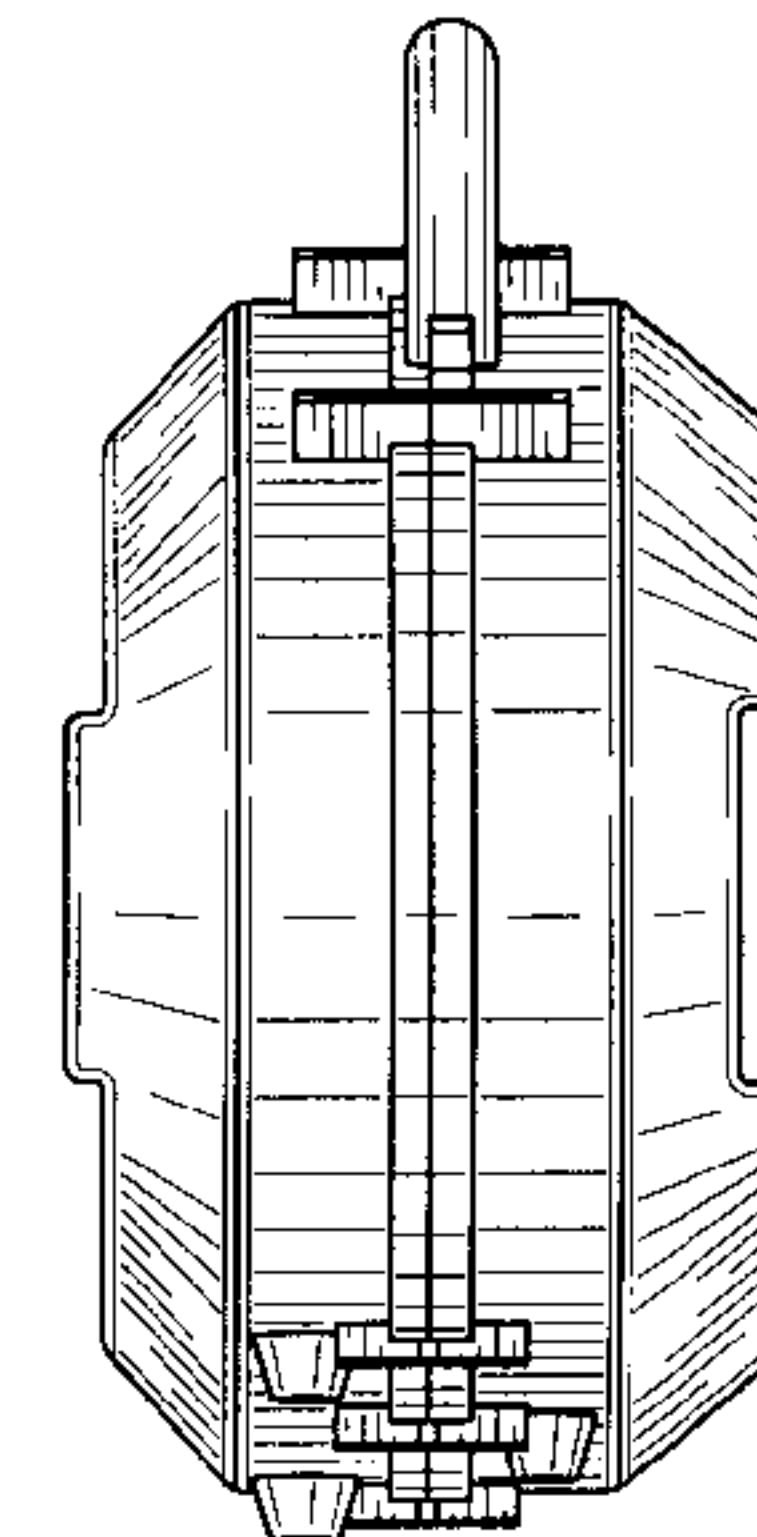
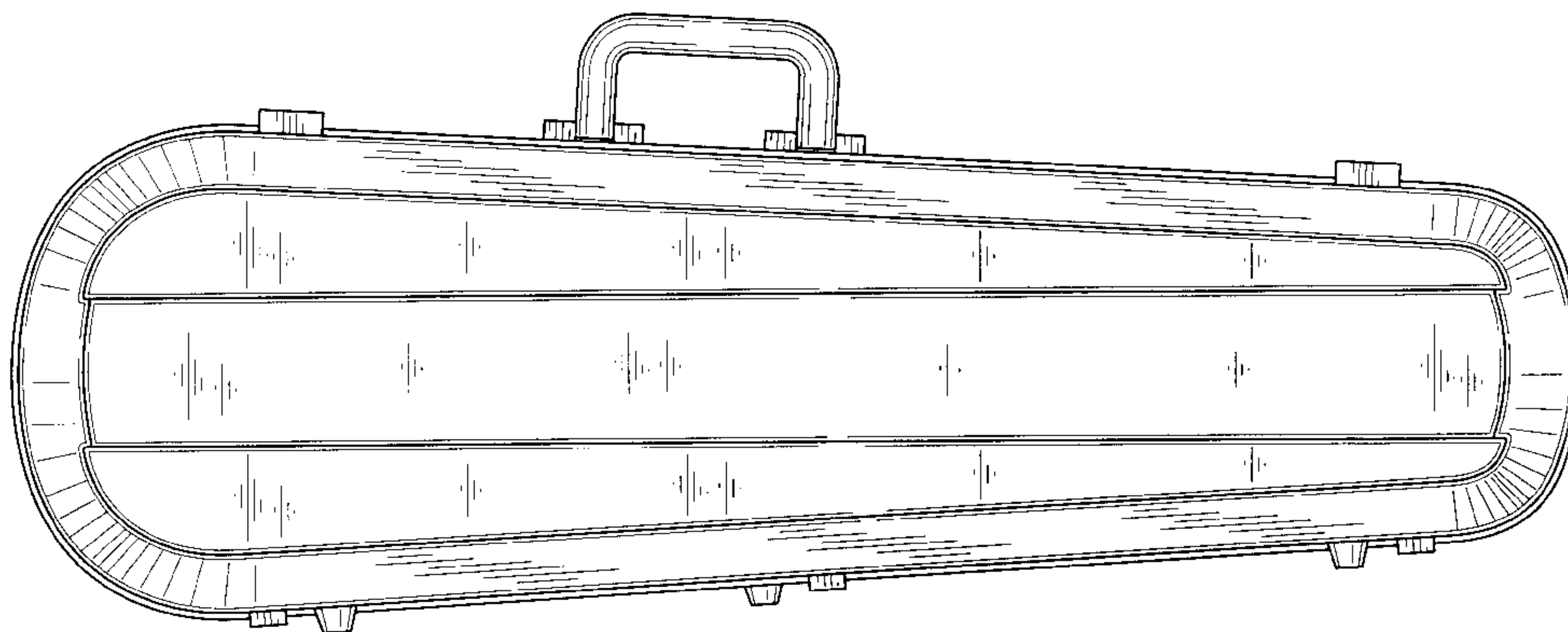


FIG. 1

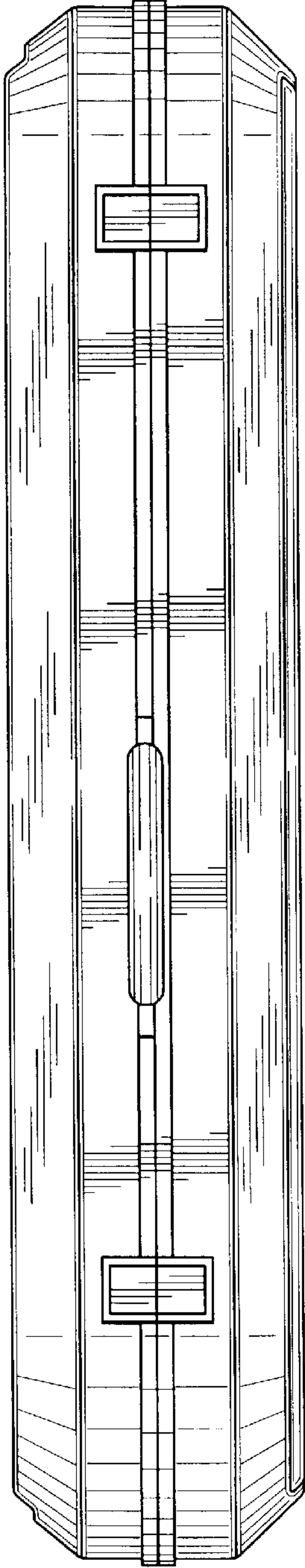


FIG. 2

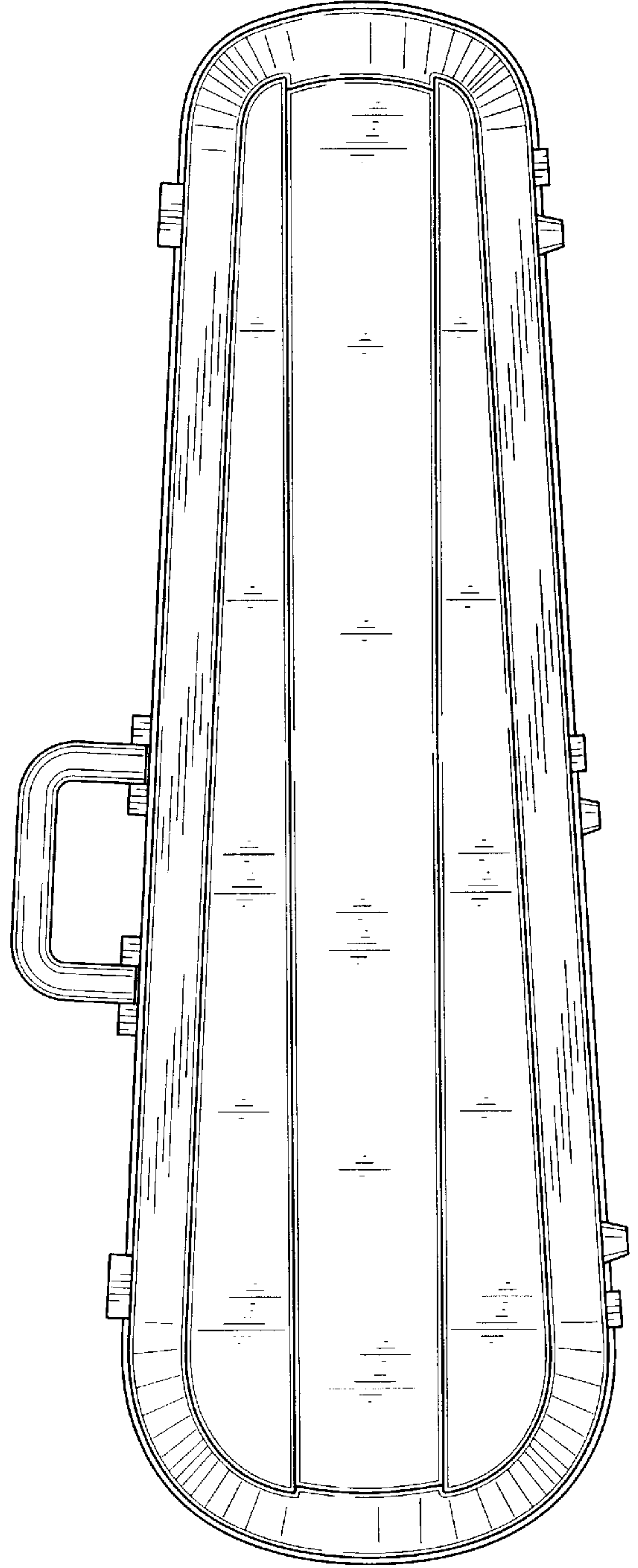


FIG. 3

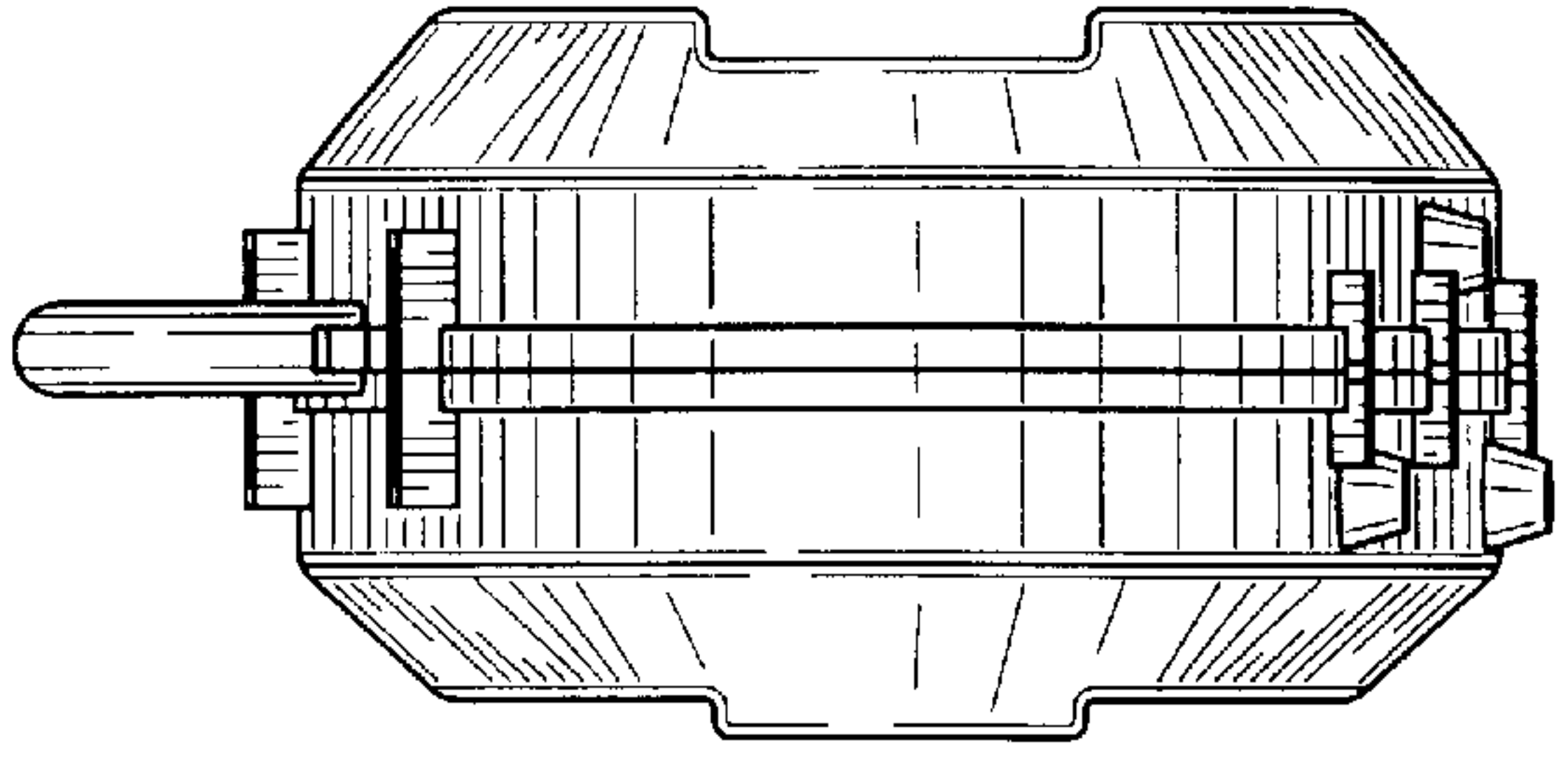


FIG. 5

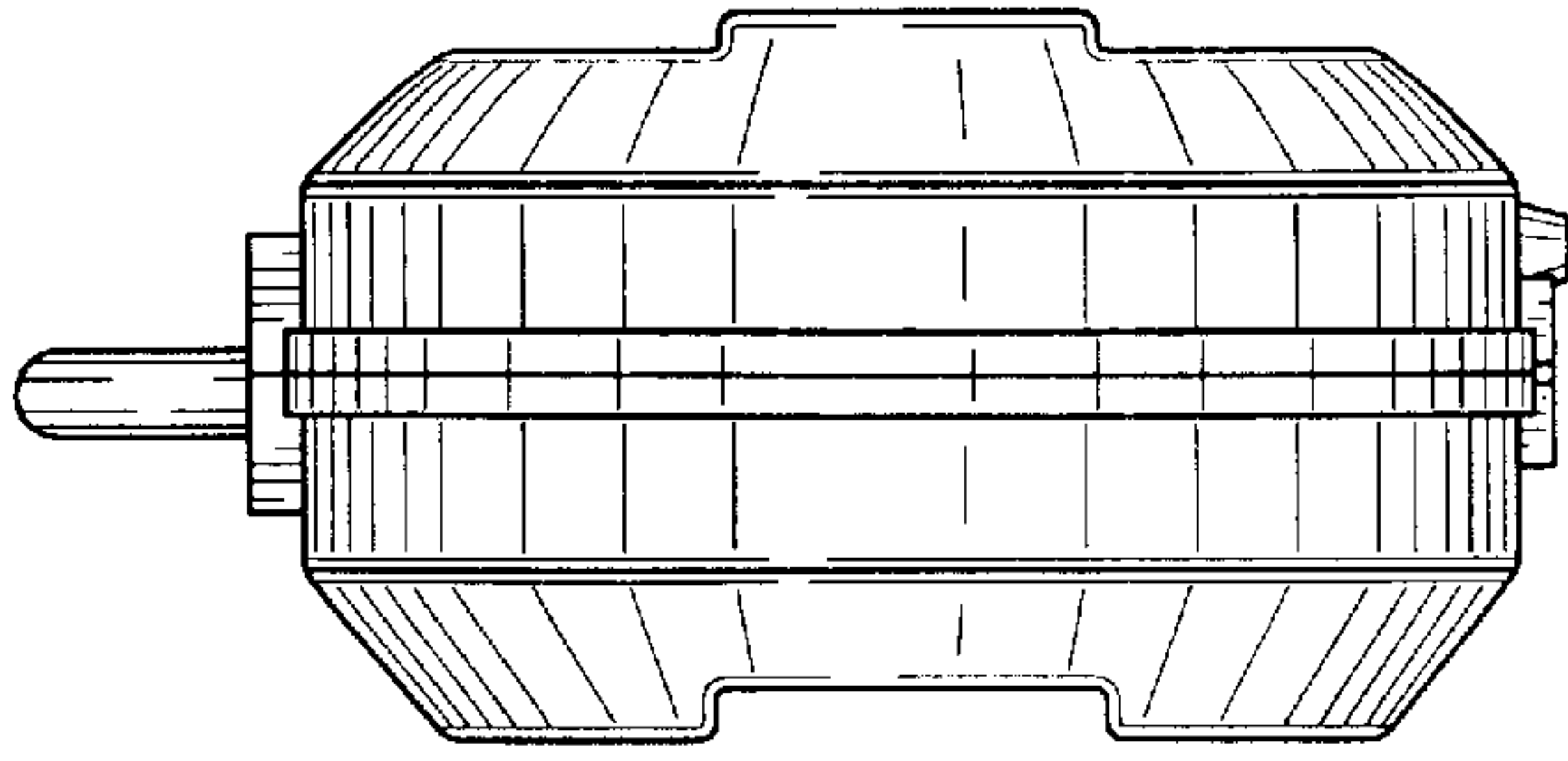


FIG. 4

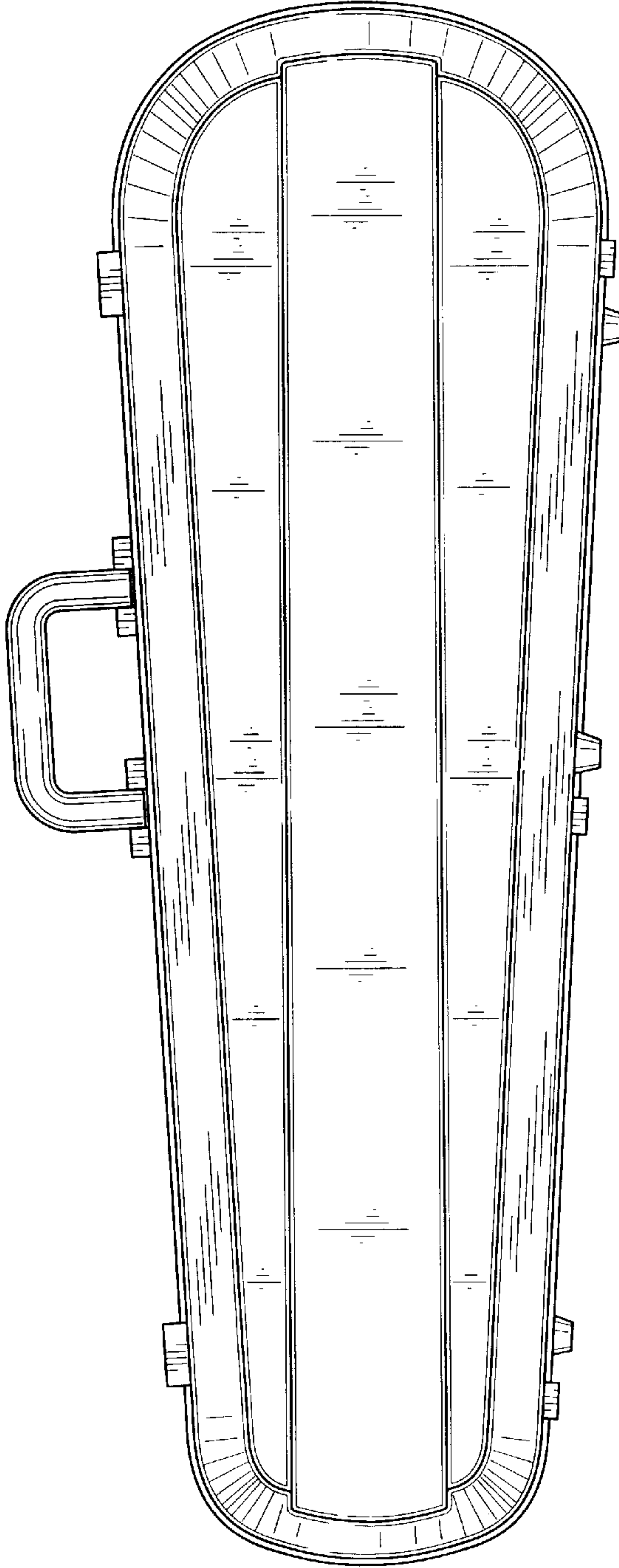


FIG. 6

