



US00D482510S

(12) **United States Design Patent**
Stout

(10) **Patent No.:** **US D482,510 S**

(45) **Date of Patent:** **** Nov. 18, 2003**

(54) **UNATTENDED DELIVERY RECEPTACLE**

D445,234 S * 7/2001 Isaacs et al. D99/28

(75) Inventor: **Mark Allen Stout**, Evansville, IN (US)

* cited by examiner

(73) Assignee: **Whirlpool Corporation**, Benton Harbor, MI (US)

Primary Examiner—Paula A. Mortimer

(74) *Attorney, Agent, or Firm*—Sonnenschein, Nath & Rosenthal

(**) Term: **14 Years**

(57) **CLAIM**

(21) Appl. No.: **29/160,948**

The ornamental design for a unattended delivery receptacle, as shown and described.

(22) Filed: **May 20, 2002**

DESCRIPTION

(51) **LOC (7) Cl.** **06-04**

(52) **U.S. Cl.** **D99/28**

(58) **Field of Search** D99/28, 29, 35;
232/17, 24, 25, 27, 33, 38, 45, 47, 4 R;
109/24.5, 45, 50, 64; D6/432, 448

FIG. 1 is a front elevational view of an unattended delivery receptacle showing the new design;

FIG. 2 is a rear elevational view of the unattended delivery receptacle shown in FIG. 1;

FIG. 3 is a left side elevational view of the unattended delivery receptacle shown in FIG. 1;

FIG. 4 is a right side elevational view of the unattended delivery receptacle shown in FIG. 1;

FIG. 5 is a plan view of the unattended delivery receptacle shown in FIG. 1; and,

FIG. 6 is a bottom elevational view of the unattended delivery receptacle shown in FIG. 1.

(56) **References Cited**

U.S. PATENT DOCUMENTS

D195,373 S	*	6/1963	Dwyer	D99/28
D253,315 S	*	10/1979	Berman et al.	D99/28
D360,738 S	*	7/1995	Schwartz et al.	D99/28
D376,247 S	*	12/1996	Swanson	D99/28
5,992,736 A	*	11/1999	Parker	232/17

1 Claim, 2 Drawing Sheets

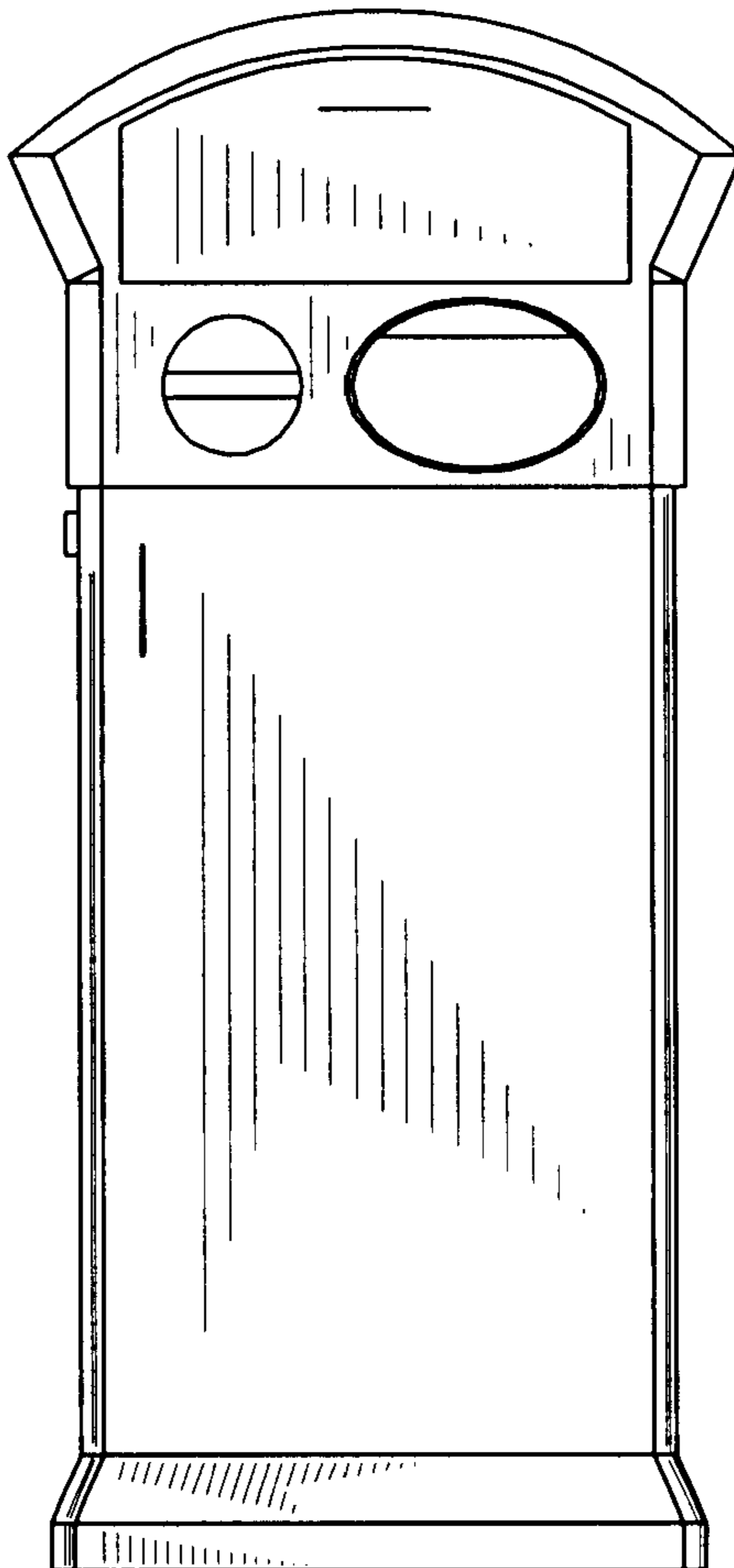


FIG. 1

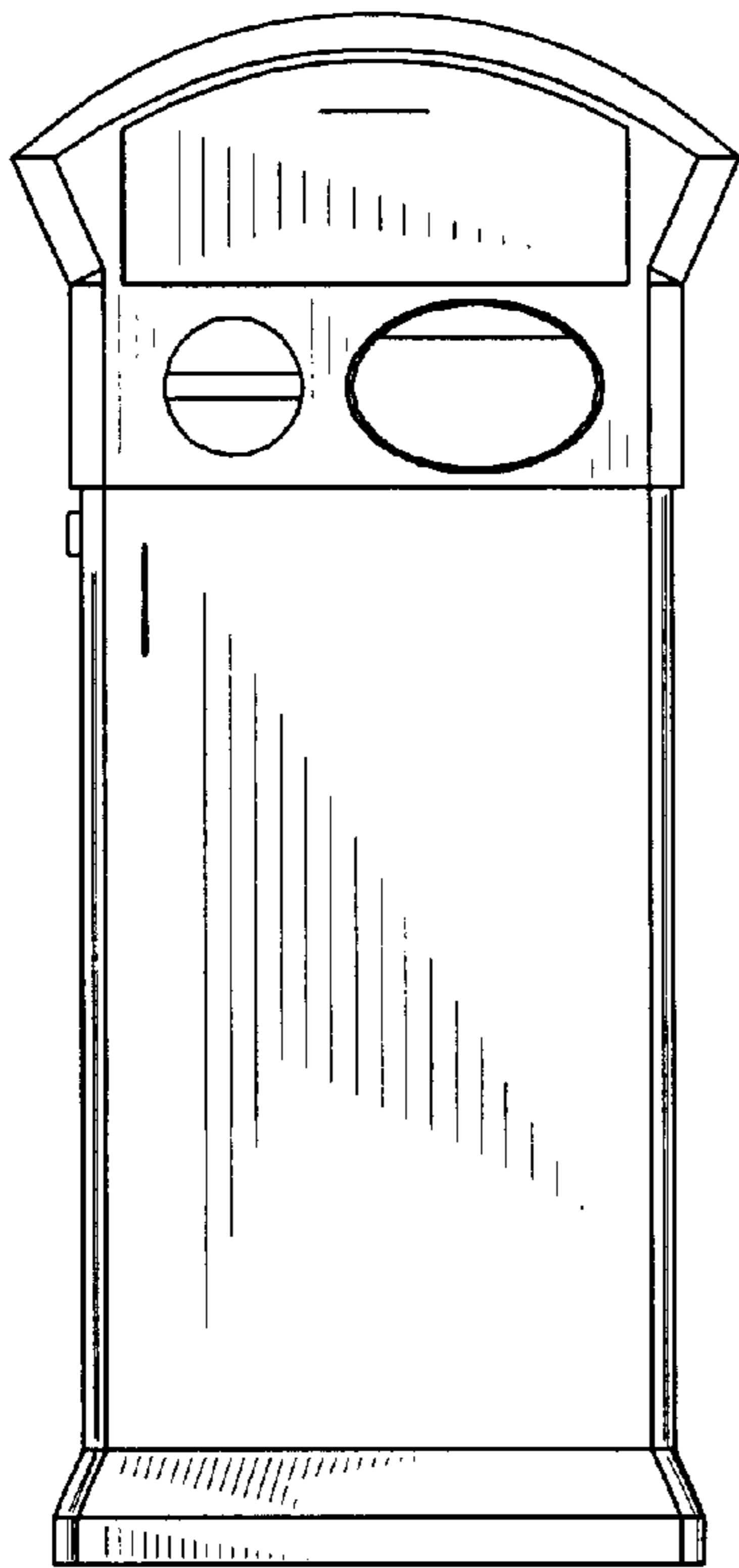


FIG. 2

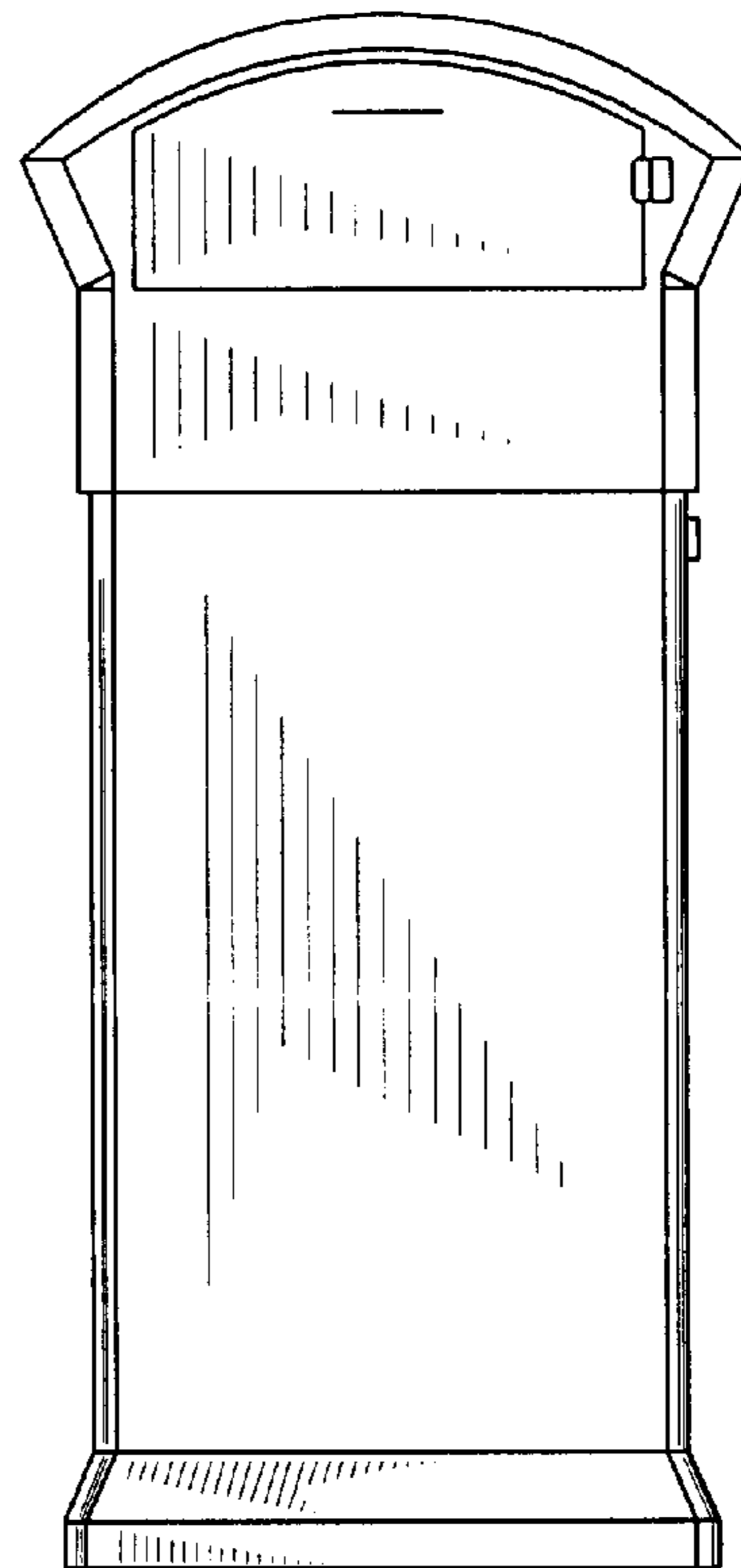


FIG. 3

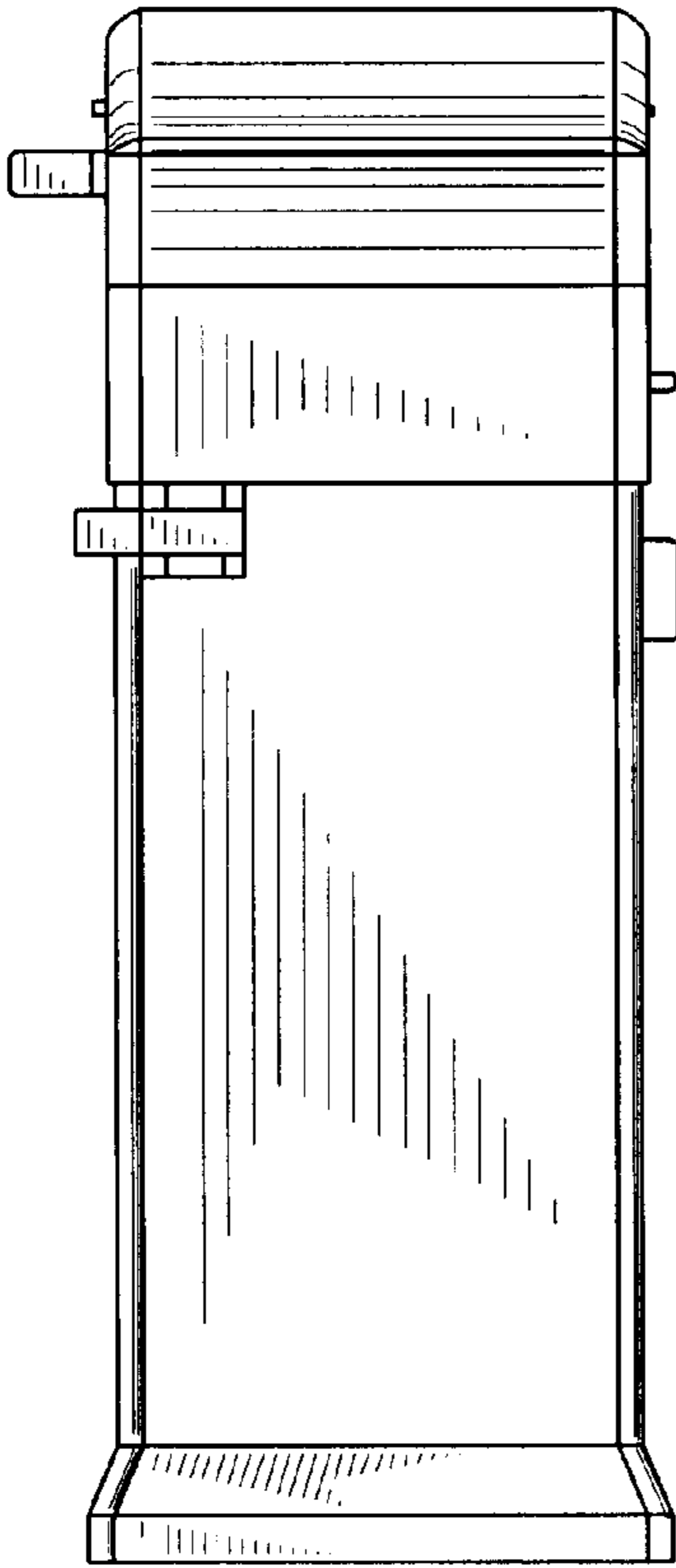


FIG. 4

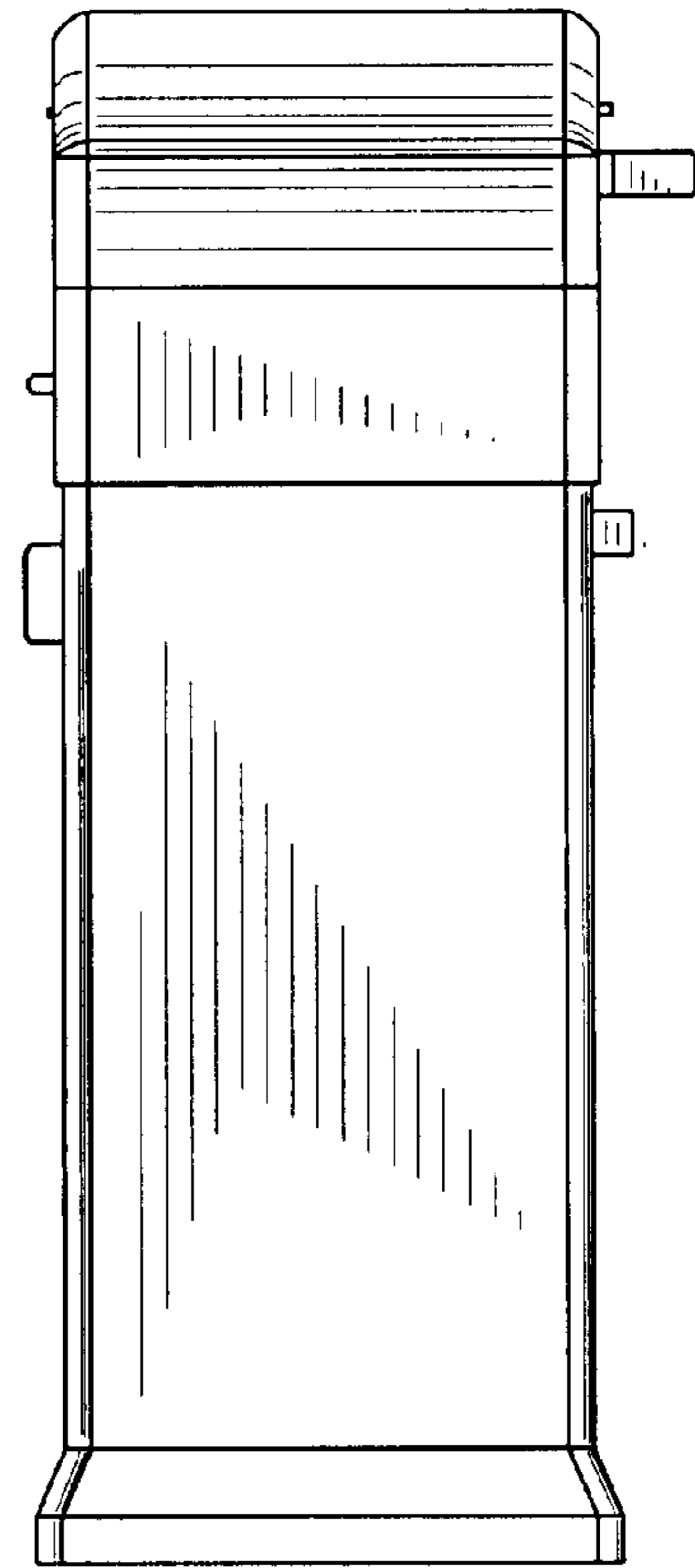


FIG. 5

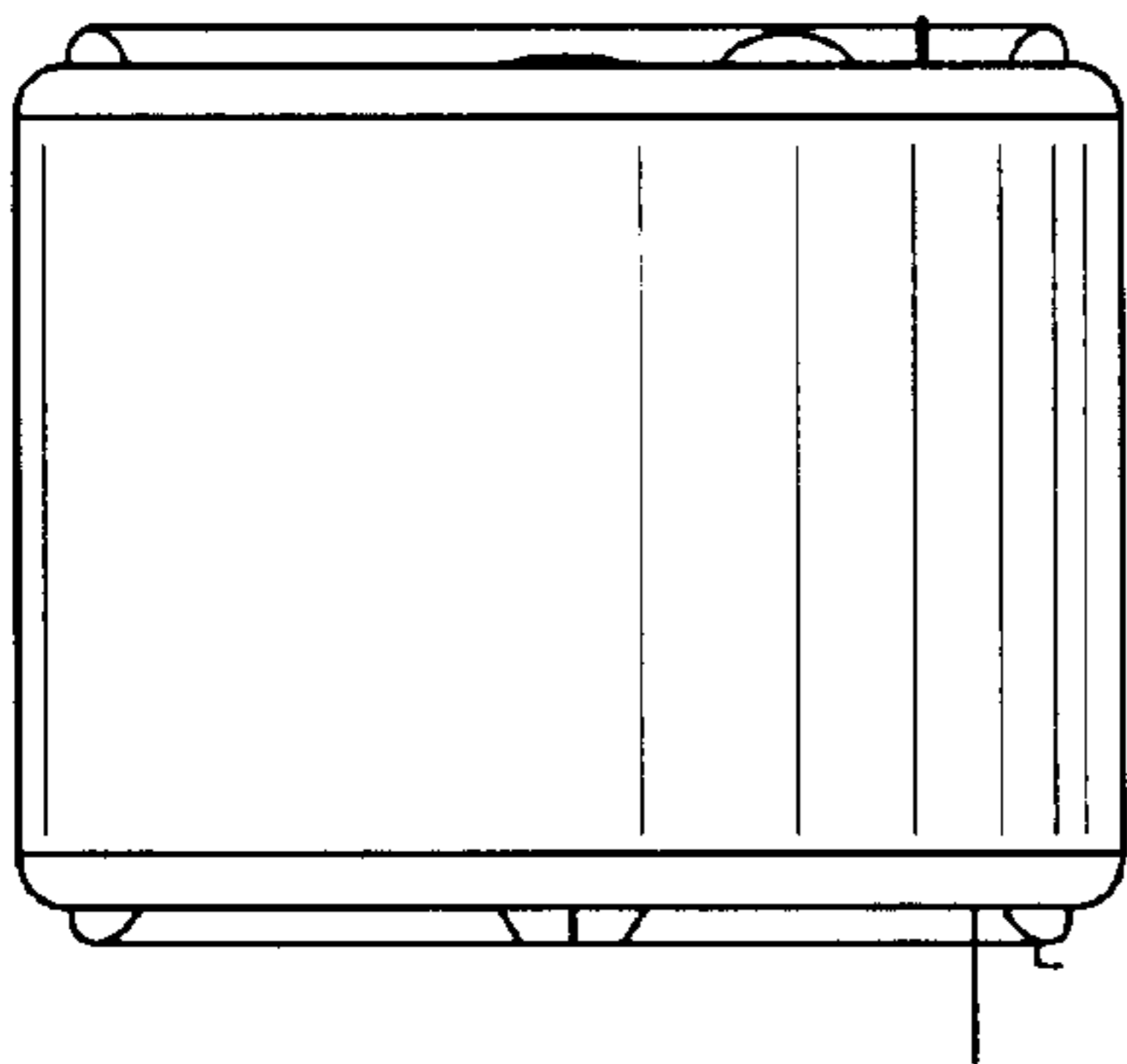


FIG. 6

