



US00D482508S

(12) **United States Design Patent**
DeVries

(10) **Patent No.:** **US D482,508 S**

(45) **Date of Patent:** **** Nov. 18, 2003**

(54) **FACETED CLEANER BLADE FOR CONVEYOR BELTS**

6,401,911 B1 * 6/2002 Swinderman 198/499
6,439,373 B1 * 8/2002 Swinderman 198/499
6,457,575 B2 * 10/2002 Swinderman 198/499

(75) **Inventor:** **Brett Edwin DeVries**, Grand Rapids, MI (US)

* cited by examiner

(73) **Assignee:** **Flexible Steel Lacing Company**, Downers Grove, IL (US)

Primary Examiner—Cynthia E. Ramirez
(74) *Attorney, Agent, or Firm*—Fitch, Even, Tabin & Flannery

(**) **Term:** **14 Years**

(57) **CLAIM**

(21) **Appl. No.:** **29/165,532**

The ornamental design for a faceted cleaner blade for conveyor belts, as shown and described.

(22) **Filed:** **Aug. 12, 2002**

DESCRIPTION

(51) **LOC (7) Cl.** **12-05**

(52) **U.S. Cl.** **D34/35**

(58) **Field of Search** D34/35, 29; 198/635, 198/499, 497; 15/256.5, 245, 245.1, 250.001, 250.48; D32/40, 46, 41; D12/219

FIG. 1 is a perspective view of the faceted cleaner blade according to my new design;
FIG. 2 is a left side elevational view of the faceted cleaner blade of FIG. 1;
FIG. 3 is a right side elevational view of the faceted cleaner blade of FIG. 1;
FIG. 4 is a top plan view of the faceted cleaner blade of FIG. 1;
FIG. 5 is a front elevational view of the faceted cleaner blade of FIG. 1;
FIG. 6 is a rear elevational view of the faceted cleaner blade of FIG. 1;
FIG. 7 is a bottom plan view of the faceted cleaner blade of FIG. 1; and,
FIG. 8 is an enlarged right side elevational view of the faceted cleaner blade of FIG. 1 to better illustrate the faceted outer surface of the cleaner blade.

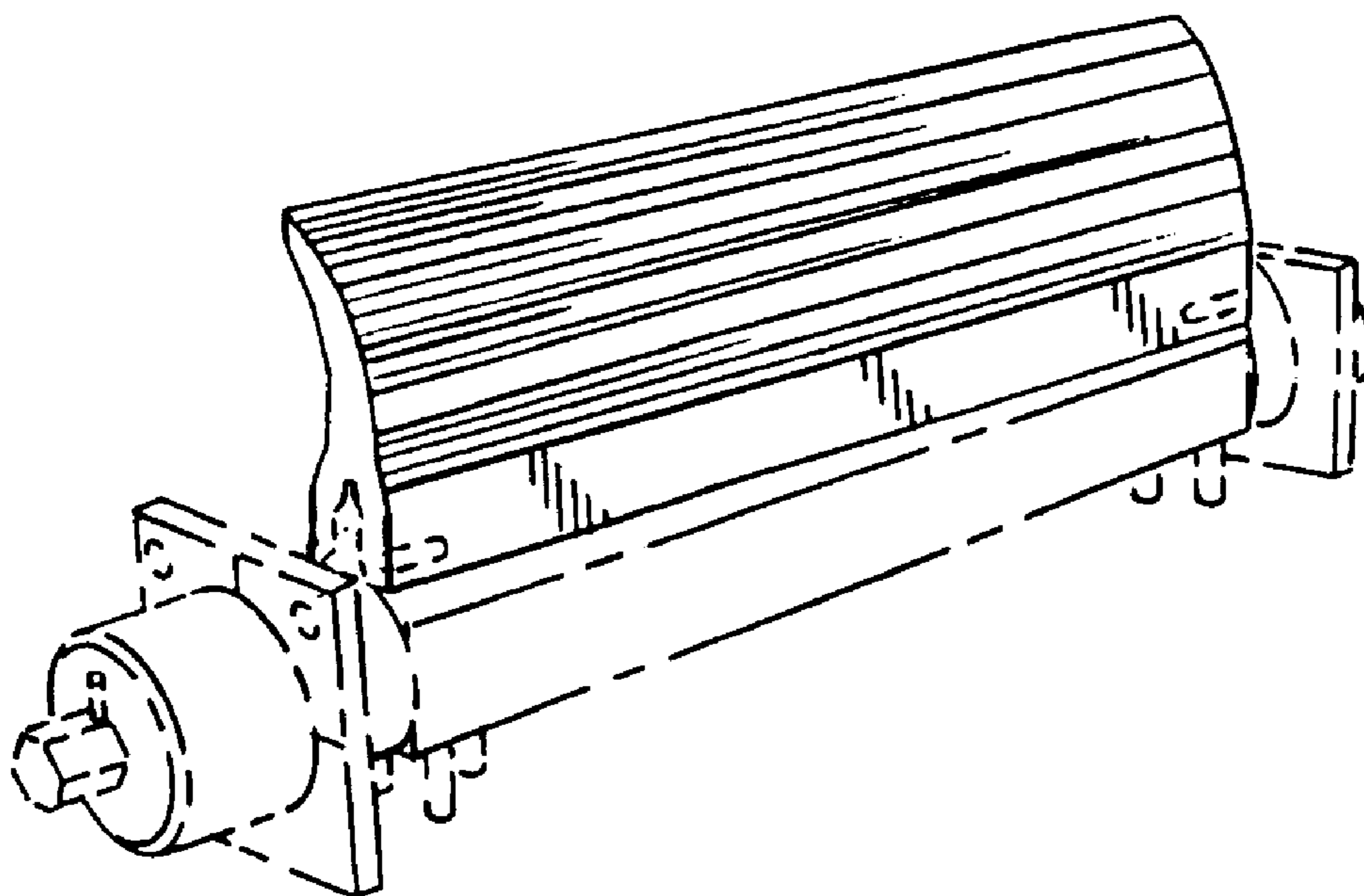
(56) **References Cited**

U.S. PATENT DOCUMENTS

3,862,232	A	*	1/1975	Lednicer	564/338
4,811,833	A	*	3/1989	Slikker	198/499
4,984,326	A	*	1/1991	Horie et al.	15/256.5
5,197,587	A	*	3/1993	Malmberg	198/497
5,201,402	A	*	4/1993	Mott	198/499
D357,563	S	*	4/1995	Vosbikian	D32/41
5,438,400	A	*	8/1995	Kuribayashi et al.	399/350
D369,886	S	*	5/1996	McCollum	D32/46
5,802,662	A	*	9/1998	Veazie, III	15/250.48
5,887,702	A	*	3/1999	Mott	198/499
6,056,112	A	*	5/2000	Wiggins	198/499
6,109,174	A	*	8/2000	Giard	101/123
D450,412	S	*	11/2001	Hajduk	D32/46
6,315,105	B1	*	11/2001	Gibbs et al.	198/497

The broken line showing in the figures is for illustrative purposes only and forms no part of the claimed design.

1 Claim, 2 Drawing Sheets



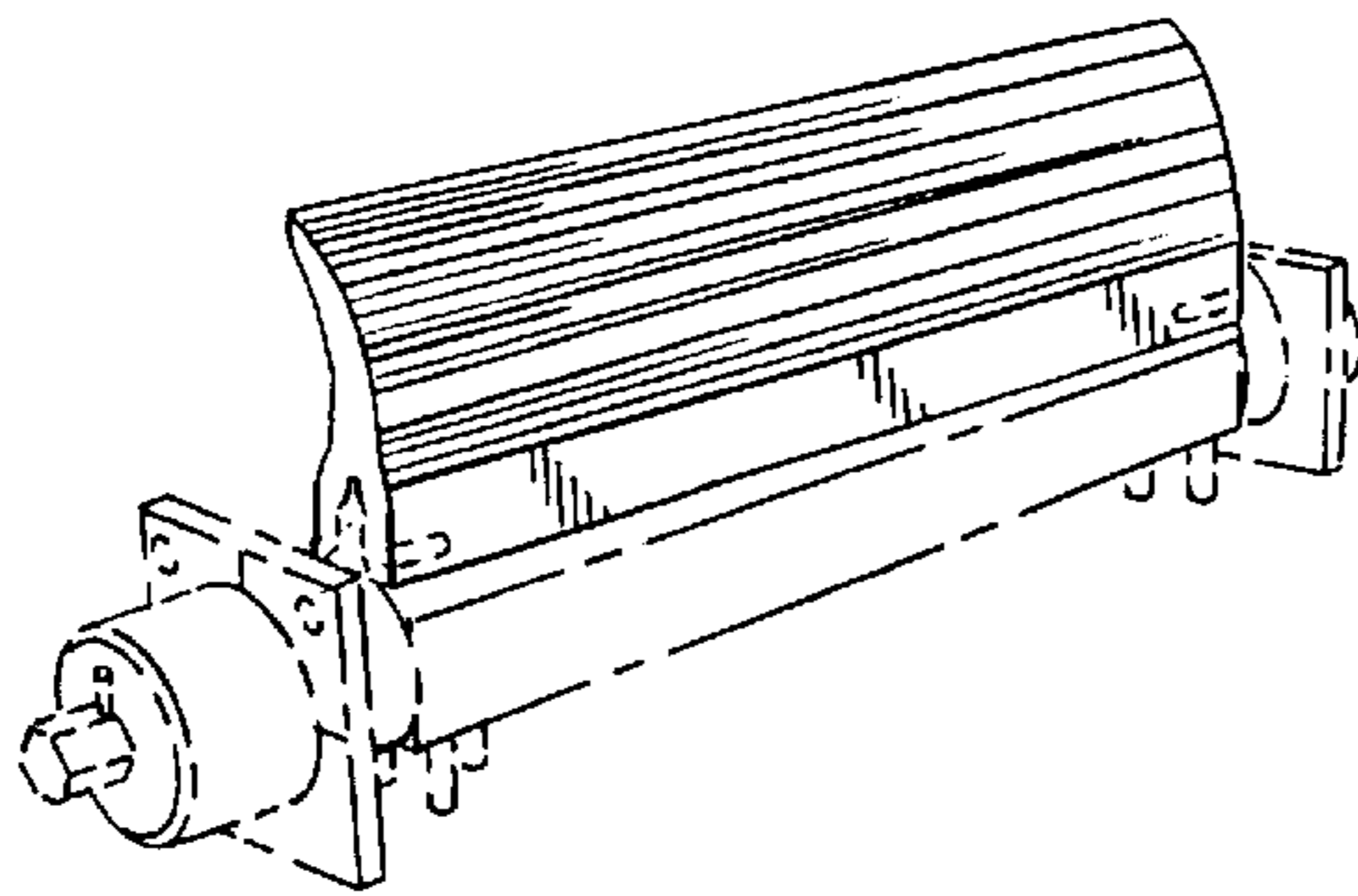


FIG. 1

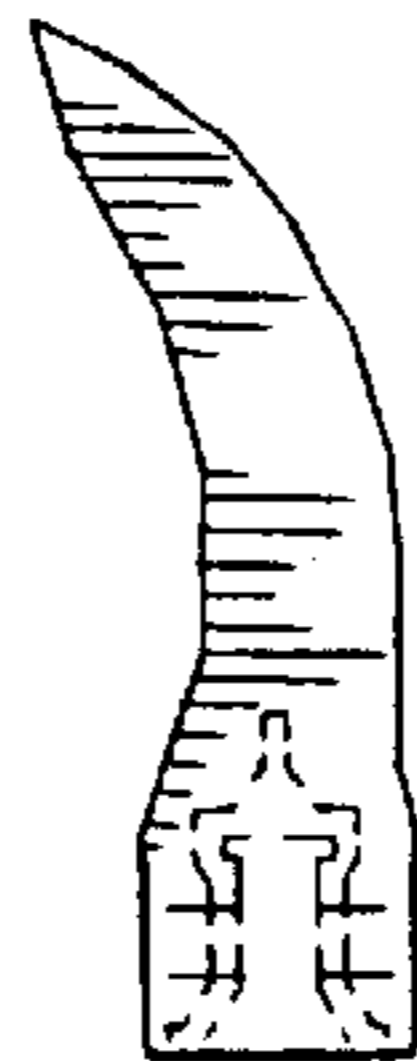


FIG. 2

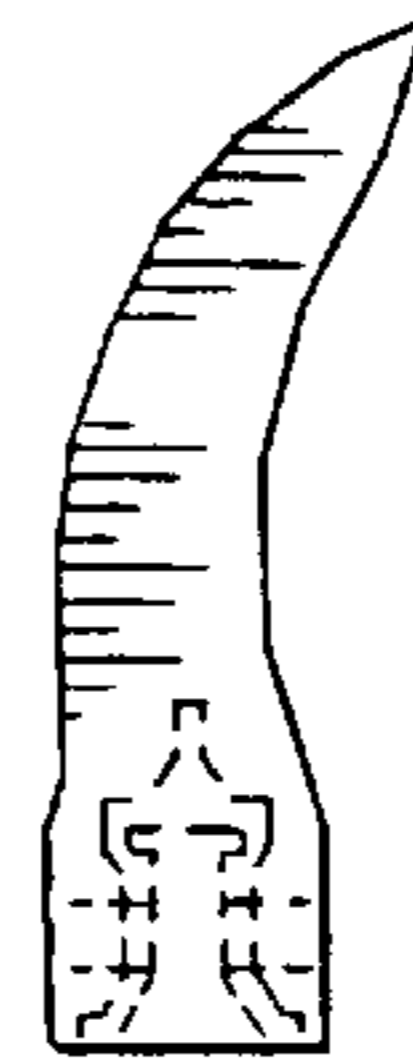


FIG. 3

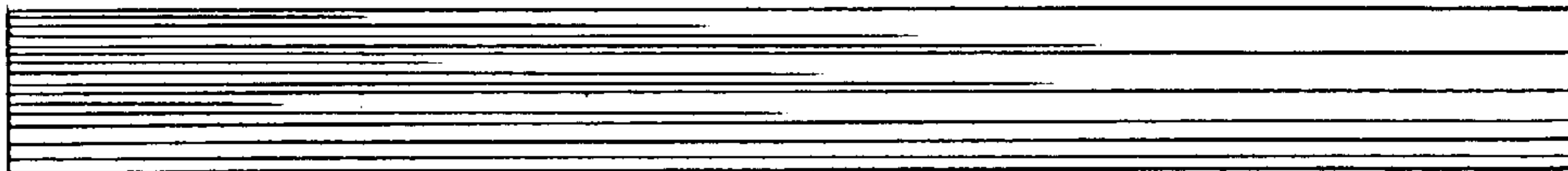


FIG. 4

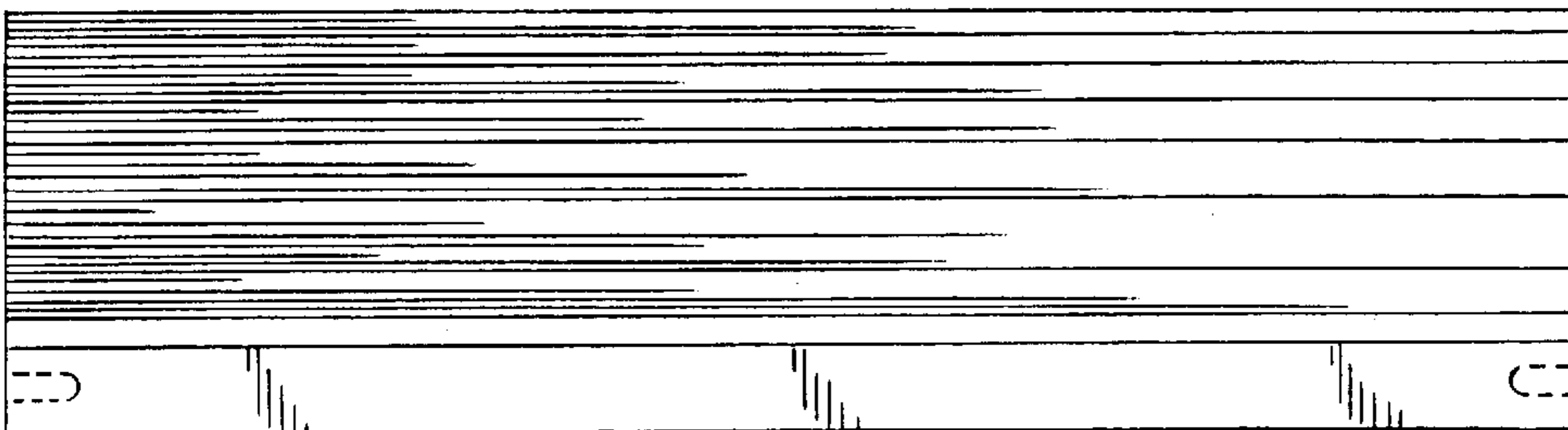


FIG. 5

FIG. 6

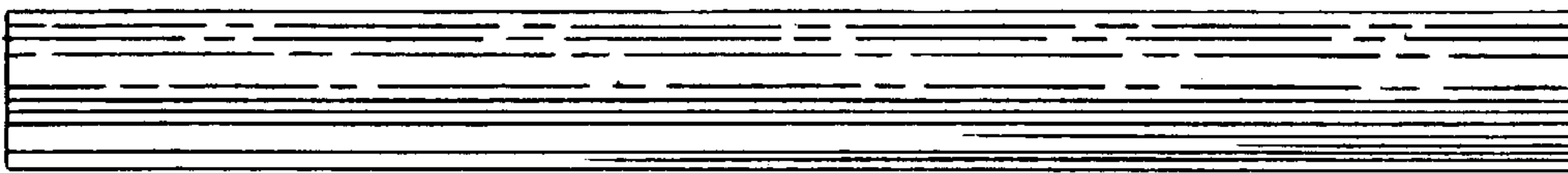
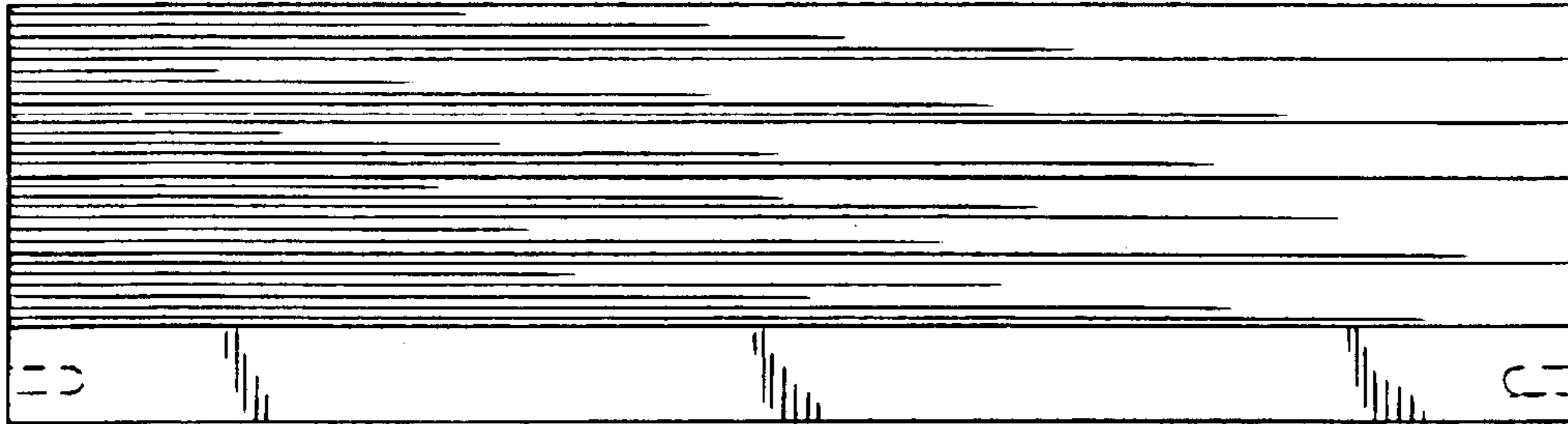


FIG. 7

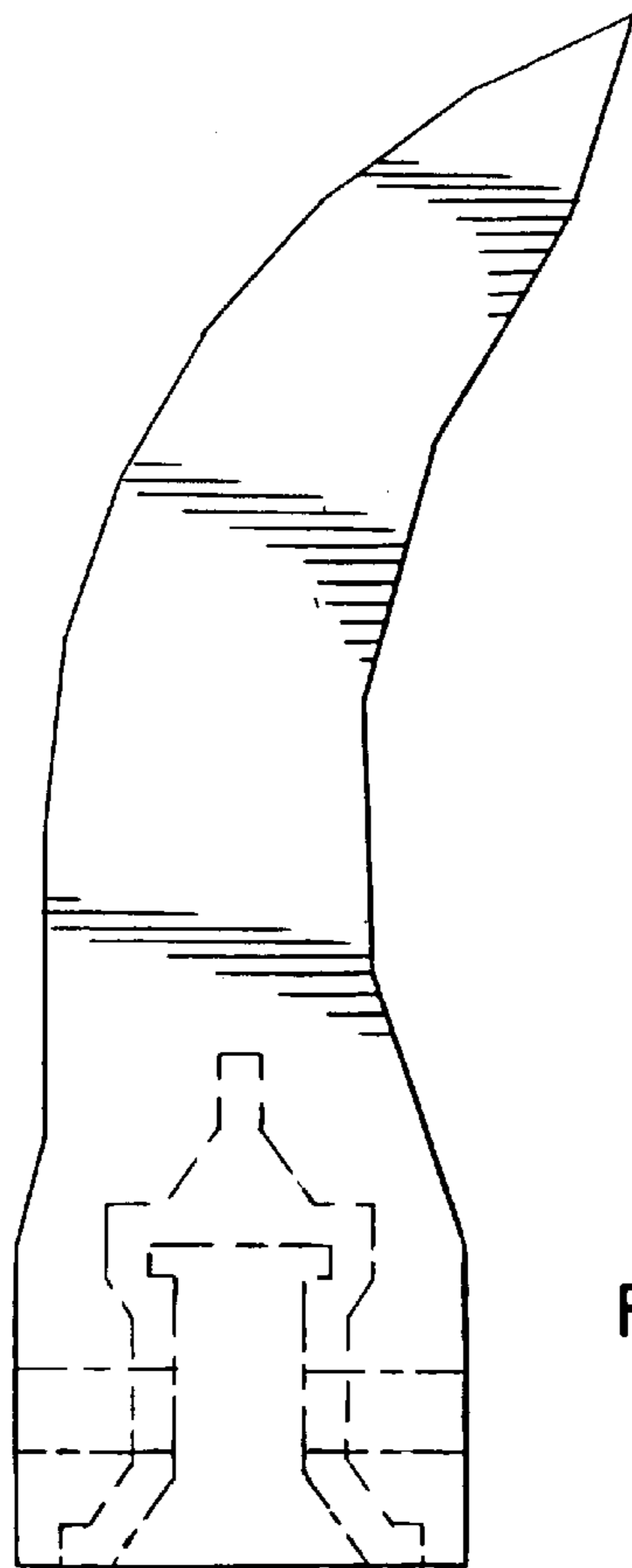


FIG. 8