



US00D482506S

(12) **United States Design Patent**
Honda et al.

(10) **Patent No.:** **US D482,506 S**

(45) **Date of Patent:** **** Nov. 18, 2003**

(54) **ELECTRIC VACUUM CLEANER**
(75) Inventors: **Takashi Honda**, Yoshida-machi (JP);
Kaname Maruyama, Yoshida-machi (JP)

(73) Assignee: **Twinbird Corporation** (JP)

(**) Term: **14 Years**

(21) Appl. No.: **29/166,253**

(22) Filed: **Aug. 23, 2002**

(30) **Foreign Application Priority Data**

Mar. 4, 2002 (JP) 2002-005537

(51) **LOC (7) Cl.** **15-05**

(52) **U.S. Cl.** **D32/22**

(58) **Field of Search** D32/21-22, 15-16,
D32/30-34, 38-39; 15/347, 350-353, 349,
335, 361; 55/337, 429, DIG. 3

(56) **References Cited**

U.S. PATENT DOCUMENTS

D188,411 S * 7/1960 Gantz D32/22
D301,649 S * 6/1989 Yamamoto et al. D32/22
D303,171 S * 8/1989 Goodrich et al. D32/21
D307,656 S * 5/1990 Yuen D32/22
D328,165 S * 7/1992 Ferrari et al. D32/22
D359,604 S * 6/1995 Sovis et al. D32/22

D382,681 S * 8/1997 Thomas D32/22
D382,682 S * 8/1997 Wareham et al. D32/22
D399,618 S * 10/1998 Jacobs D32/22
6,146,434 A * 11/2000 Scalfani et al. 55/334
D437,666 S * 2/2001 Park D32/22
6,334,233 B1 * 1/2002 Roberts et al. 15/323
D456,961 S * 5/2002 Ng D32/22

FOREIGN PATENT DOCUMENTS

JP 1124258 10/2001

* cited by examiner

Primary Examiner—Ruth McInroy

(74) *Attorney, Agent, or Firm*—Akerman Senterfitt

(57) **CLAIM**

The ornamental design for an electric vacuum cleaner, as shown and described.

DESCRIPTION

FIG. 1 is a front perspective view from above of an electric vacuum cleaner, showing our new design;
FIG. 2 is a front view thereof;
FIG. 3 is a left side view thereof;
FIG. 4 is a right side view thereof;
FIG. 5 is a rear view thereof;
FIG. 6 is a top plan view thereof; and,
FIG. 7 is a bottom plan view thereof.

1 Claim, 4 Drawing Sheets

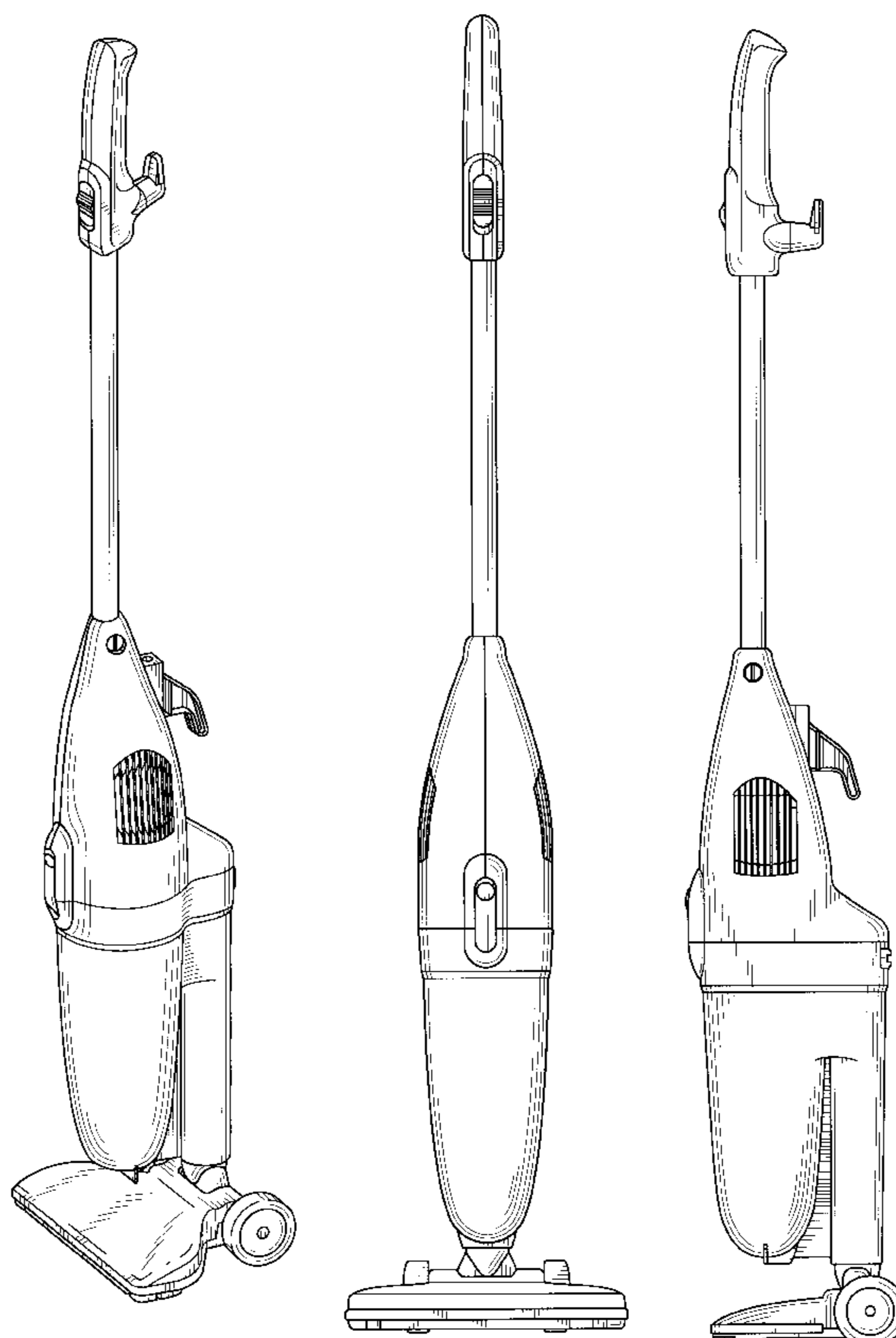


FIG. 1

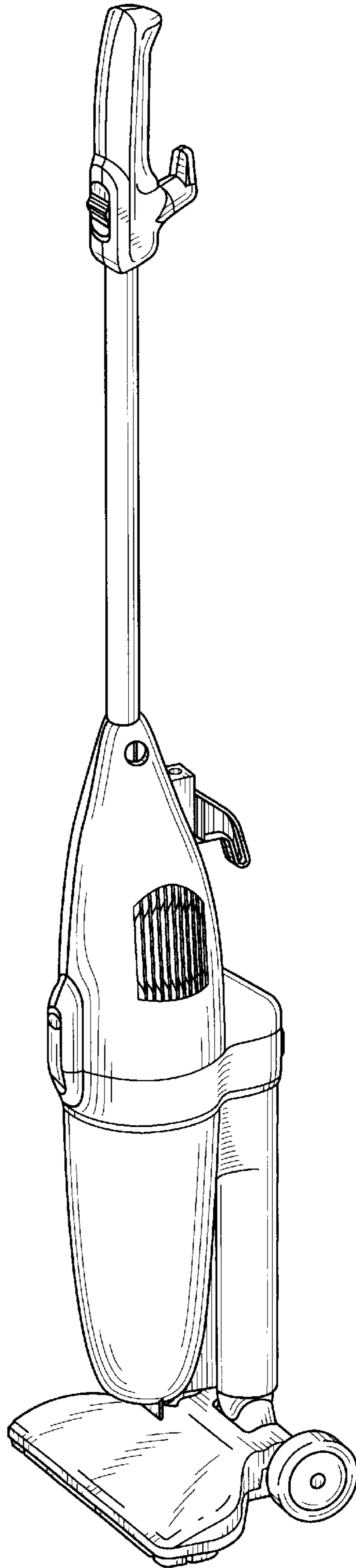


FIG.2

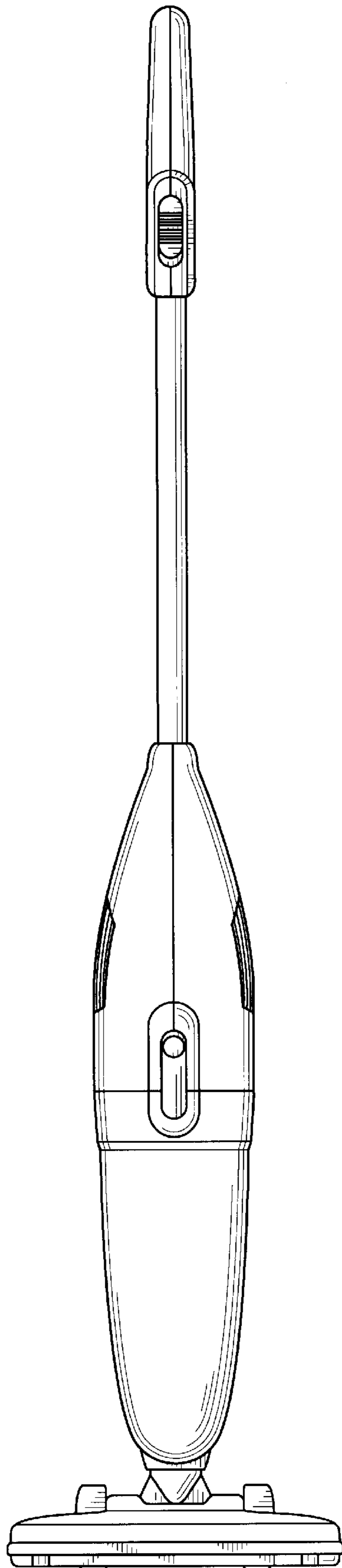


FIG.3

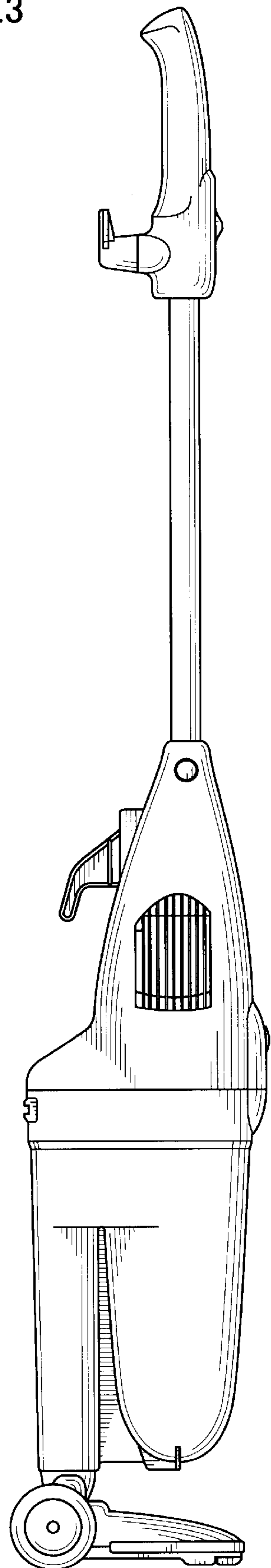


FIG.4

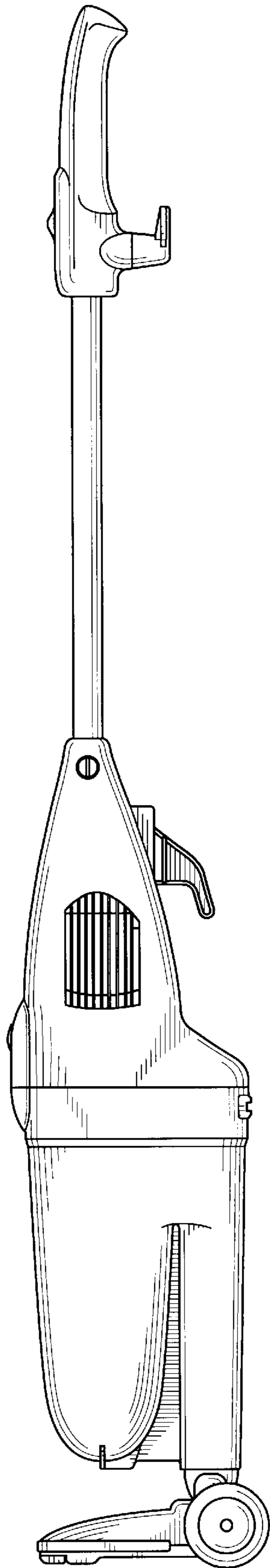


FIG.5

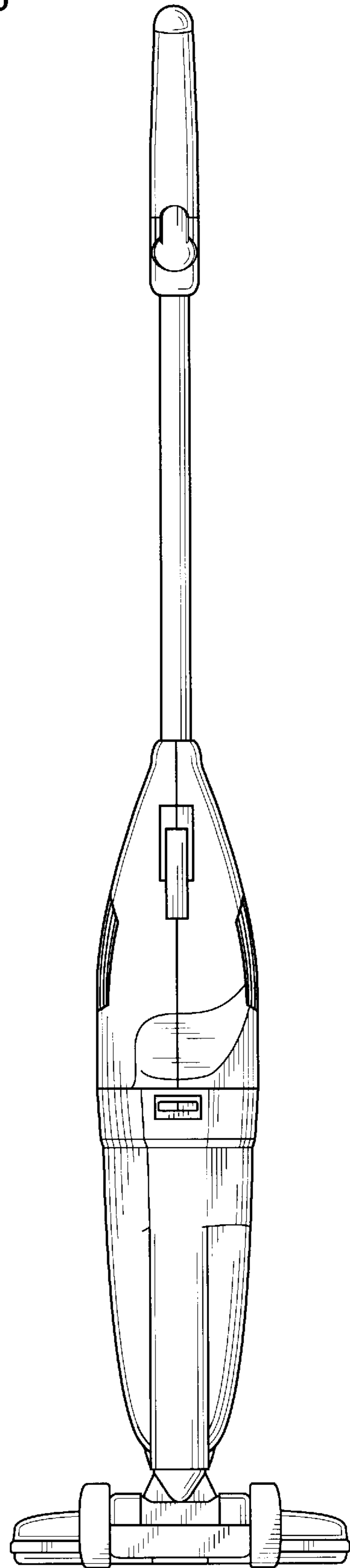


FIG.6

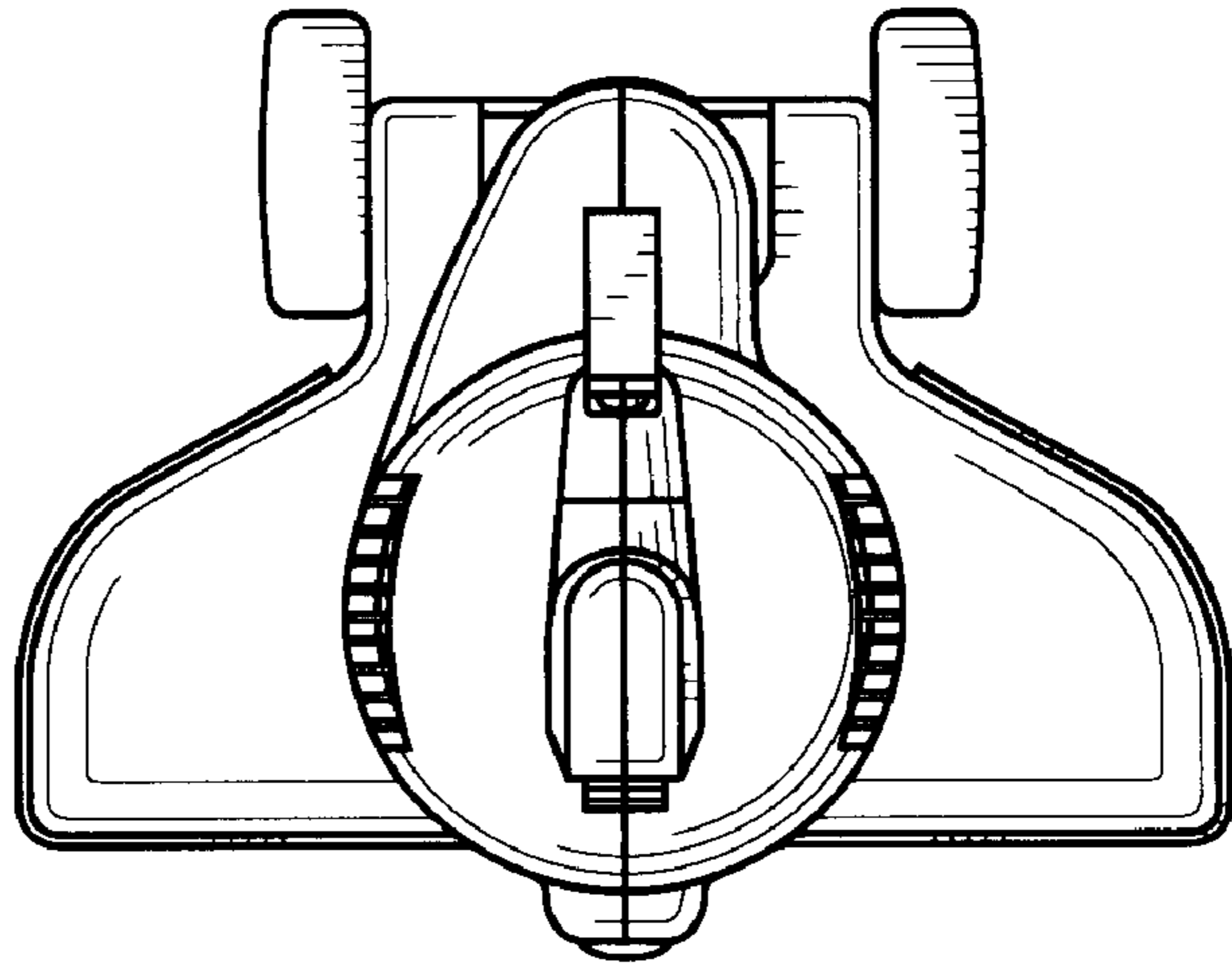


FIG.7

