



US00D482504S

(12) **United States Design Patent**
Meller

(10) **Patent No.:** **US D482,504 S**

(45) **Date of Patent:** **** Nov. 18, 2003**

(54) **RESCUE SYSTEM FOR RESCUING
OCCUPANTS FROM A HIGH STRUCTURE**

(76) **Inventor:** **Moshe Meller**, Apt. 505, 111-Yefe-Nof,
Haifa (IL), 34454

(**) **Term:** **14 Years**

(21) **Appl. No.:** **29/174,711**

(22) **Filed:** **Jan. 23, 2003**

Related U.S. Application Data

(63) Continuation-in-part of application No. 10/210,236, filed on
Aug. 1, 2002.

(51) **LOC (7) Cl.** **29-02**

(52) **U.S. Cl.** **D29/124**

(58) **Field of Search** D29/124; 182/73,
182/231, 236, 239, 71, 192, 193, 191, 5,
234; 242/396.9

(56) **References Cited**

U.S. PATENT DOCUMENTS

518,272 A	*	4/1894	Parman	182/234
2,526,065 A	*	10/1950	Chodacki et al.	182/236
3,844,377 A	*	10/1974	Wilkins	182/6
3,850,262 A	*	11/1974	Simizu	182/239
3,850,263 A	*	11/1974	Chin	182/236
4,640,388 A	*	2/1987	Walborn	182/231

5,277,271 A	*	1/1994	Lemay	182/73
5,343,981 A	*	9/1994	Schroemges et al.	182/231
5,586,617 A	*	12/1996	England et al.	182/238
6,550,576 B1	*	4/2003	Meller	182/73

* cited by examiner

Primary Examiner—Lucy Lieberman

(74) *Attorney, Agent, or Firm*—Frishauf, Holtz, Goodman
& Chick, P.C.

(57) **CLAIM**

The ornamental design for a rescue system for rescuing
occupants from a high structure, as shown and described.

DESCRIPTION

FIG. 1 is a top, front, right side perspective view of a rescue
system for rescuing occupants from a high structure, show-
ing my new design;

FIG. 2 is a front elevational view thereof;

FIG. 3 is a rear elevational view thereof;

FIG. 4 is a left side elevational view thereof;

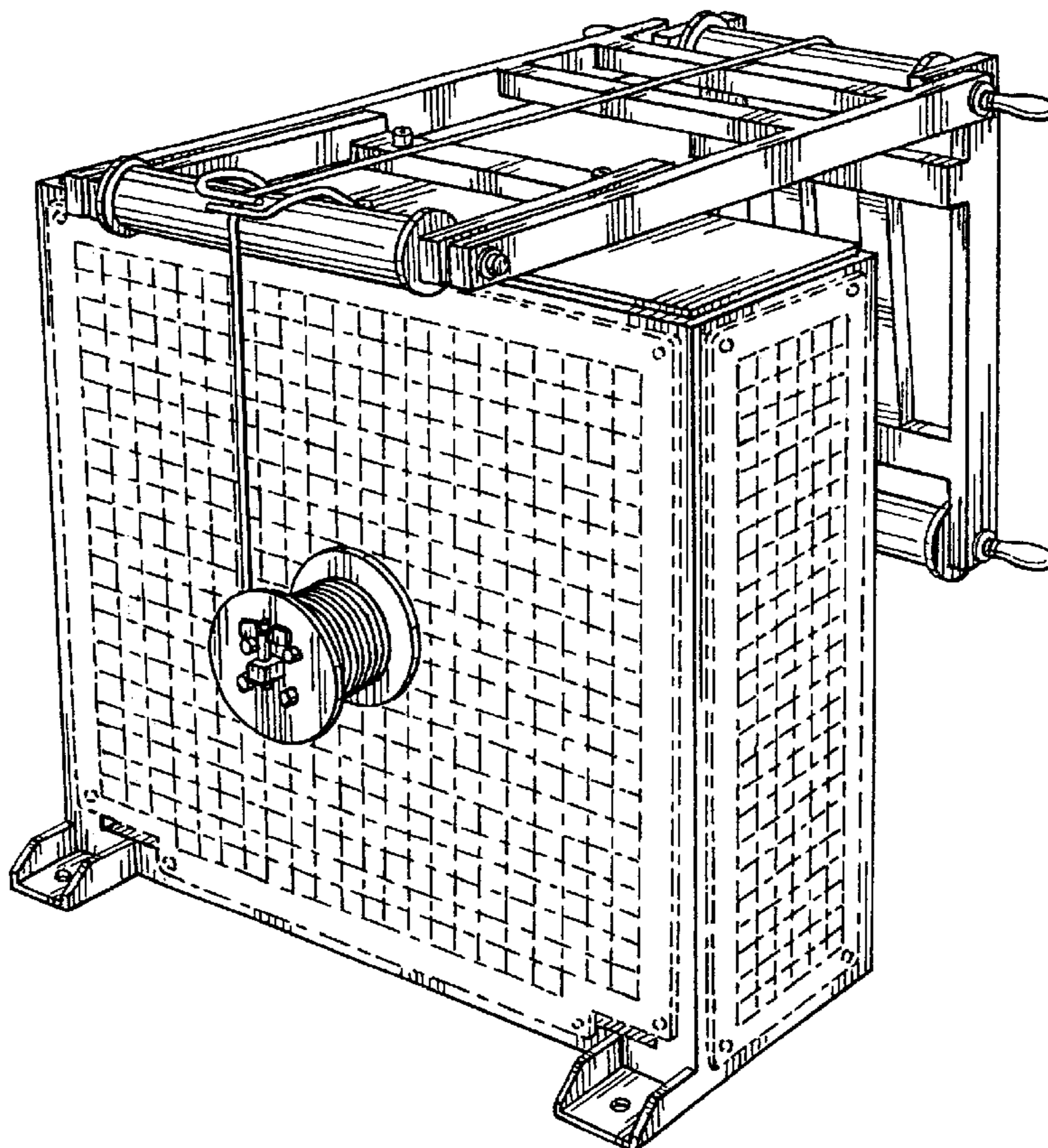
FIG. 5 is a right side elevational view thereof;

FIG. 6 is a top plan view thereof; and,

FIG. 7 is a bottom plan view thereof.

The broken lines showing mesh covers in the drawings are
for illustrative purposes only and do not form part of the
claimed design.

1 Claim, 4 Drawing Sheets



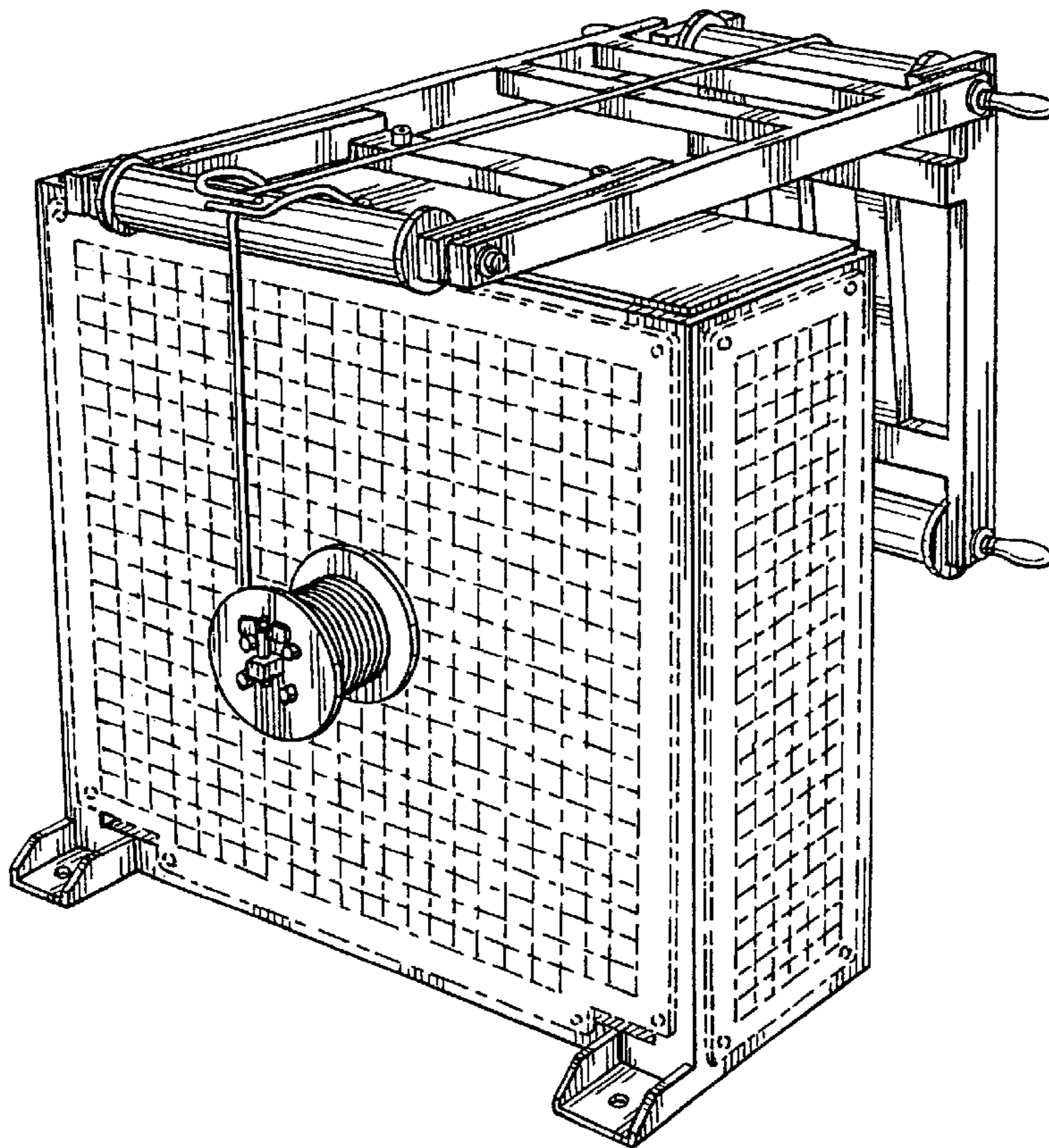


Fig. 1

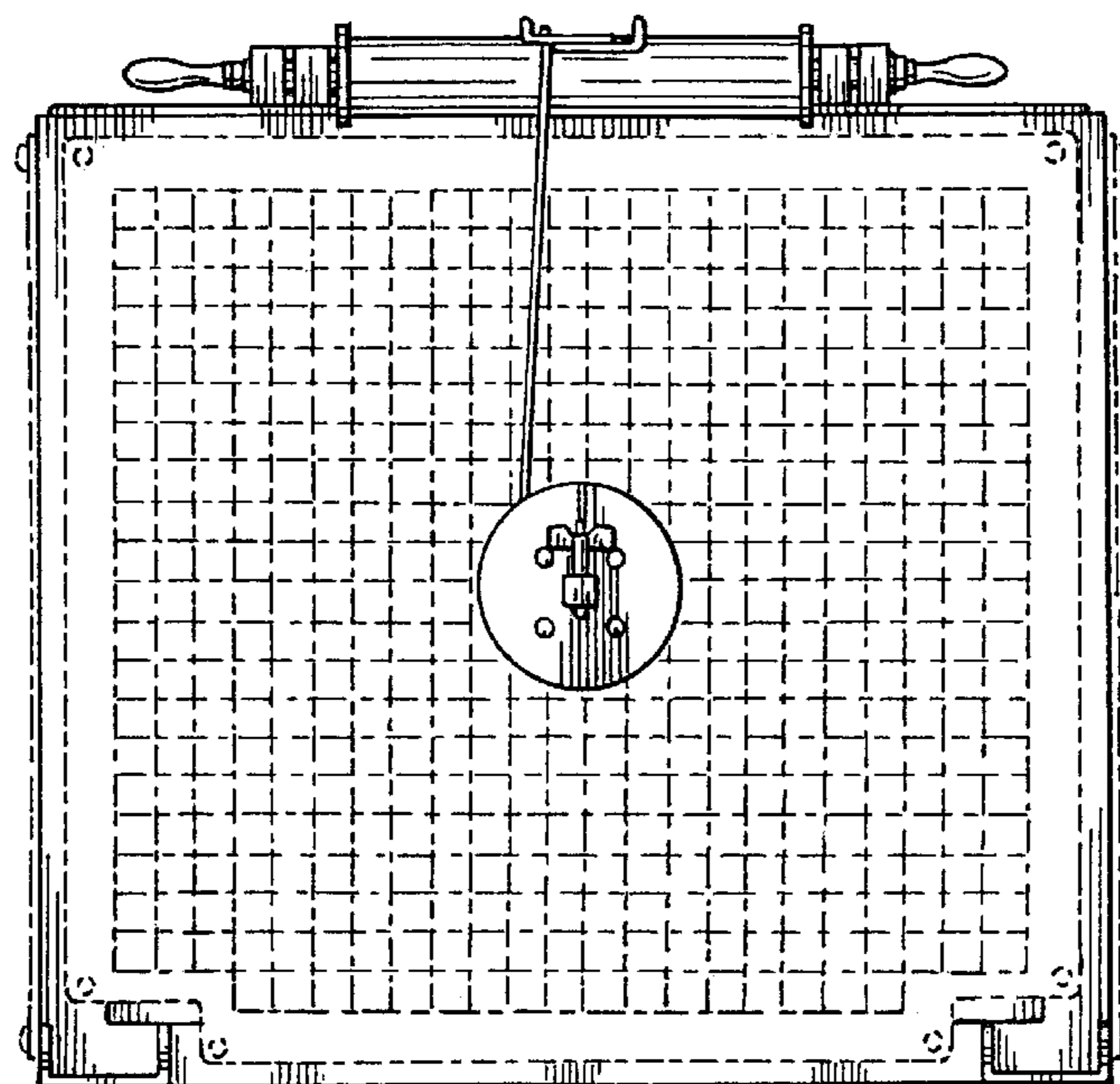


Fig. 2

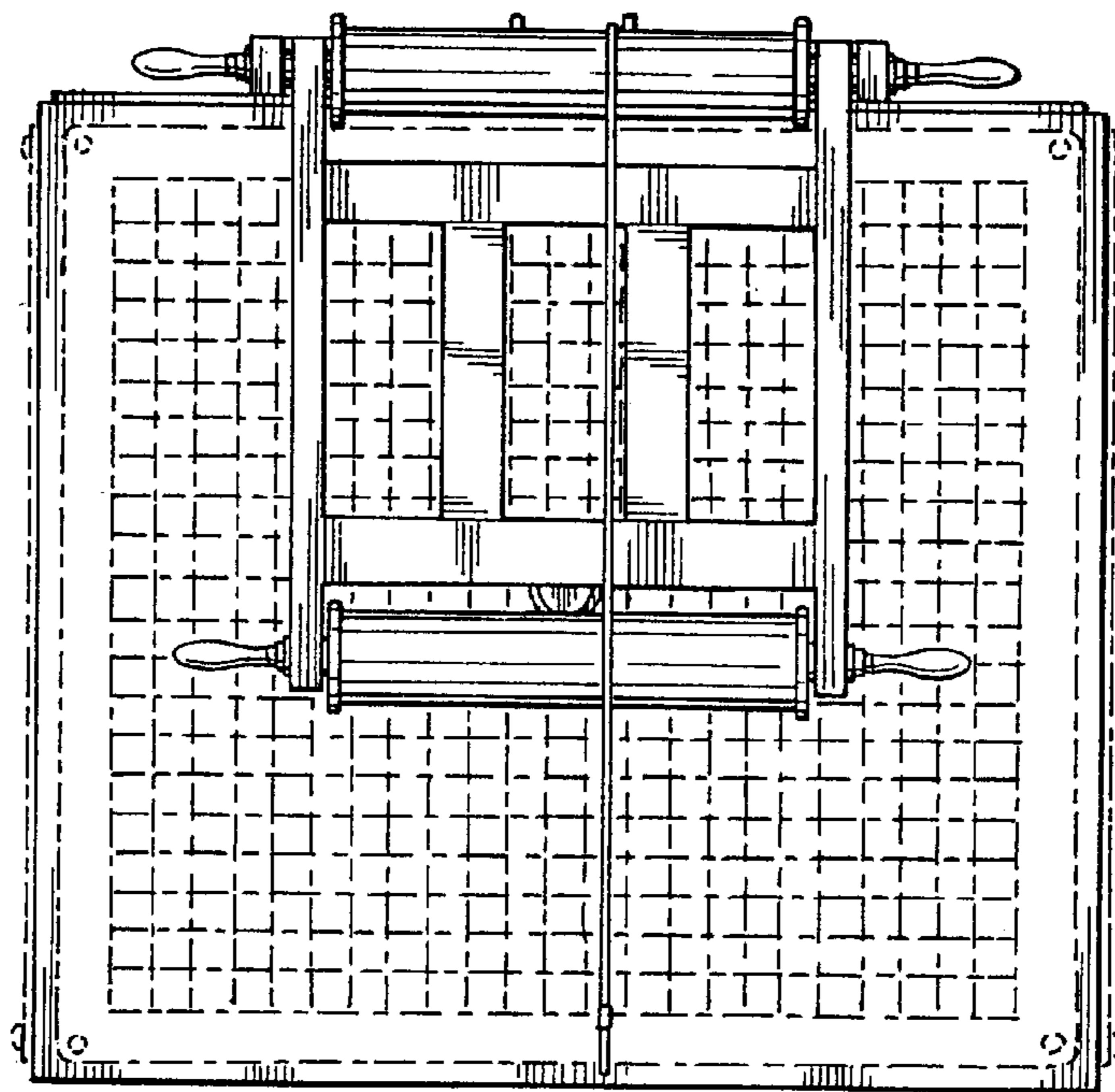


Fig. 3

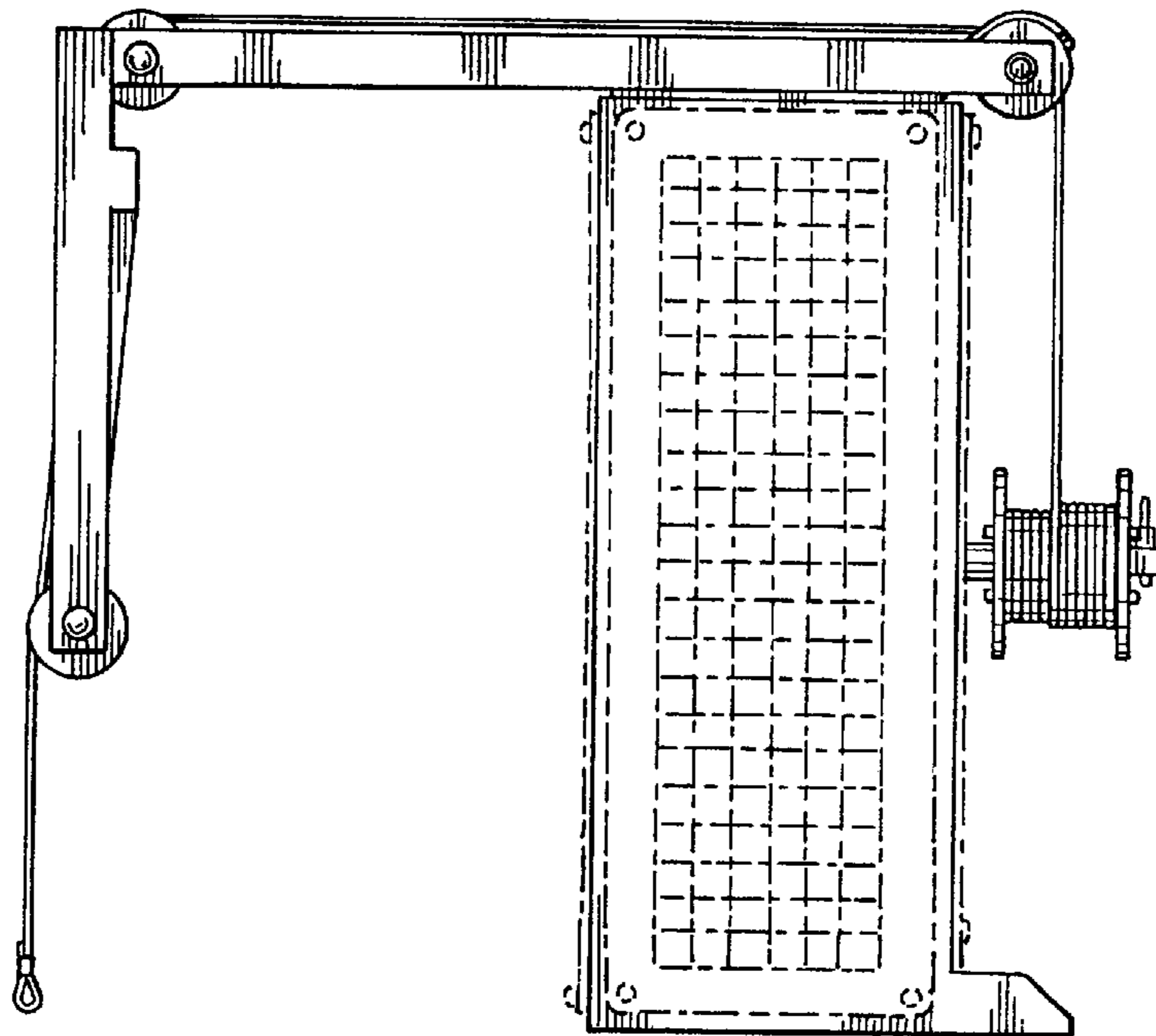


Fig. 4

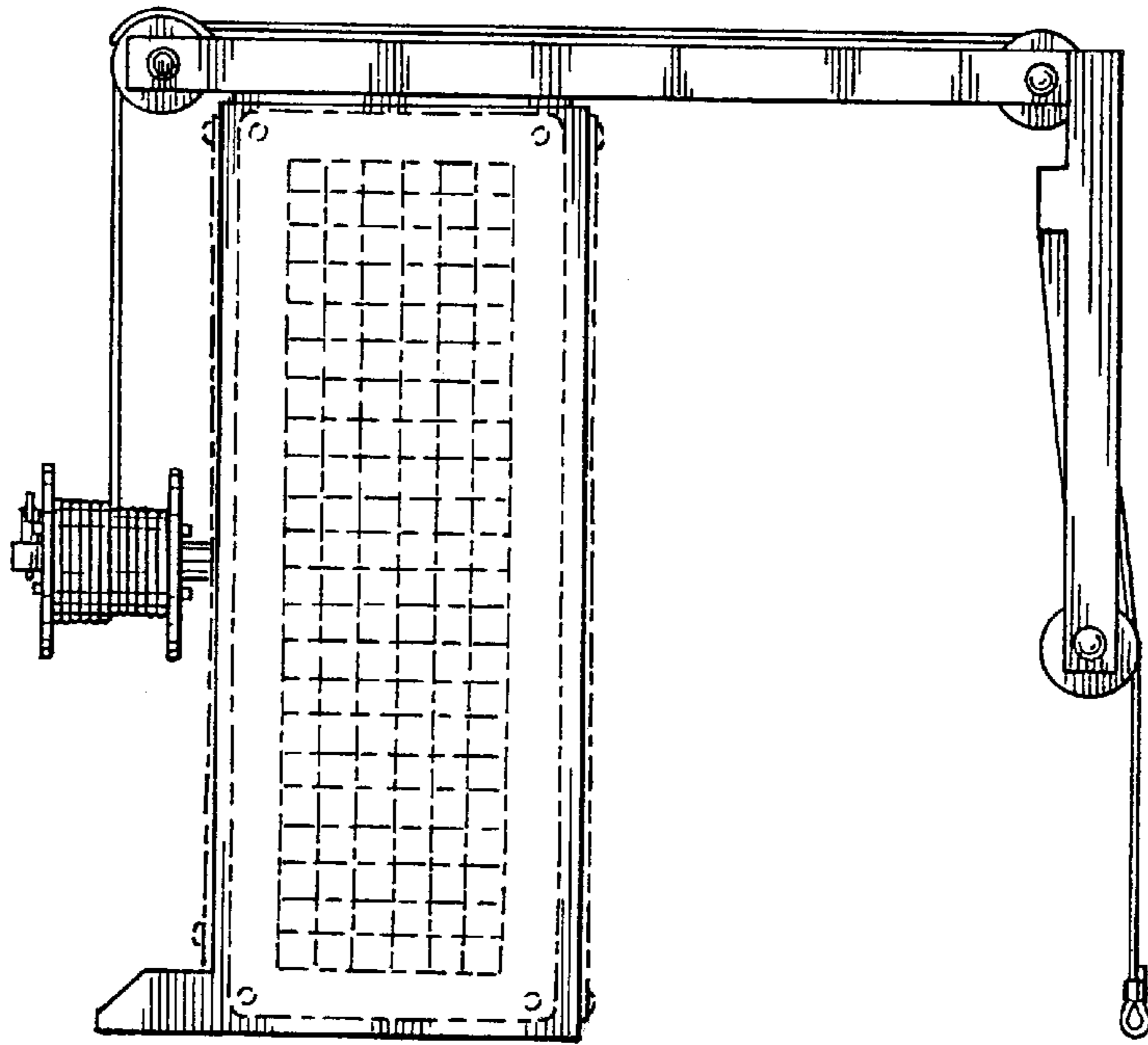


Fig. 5

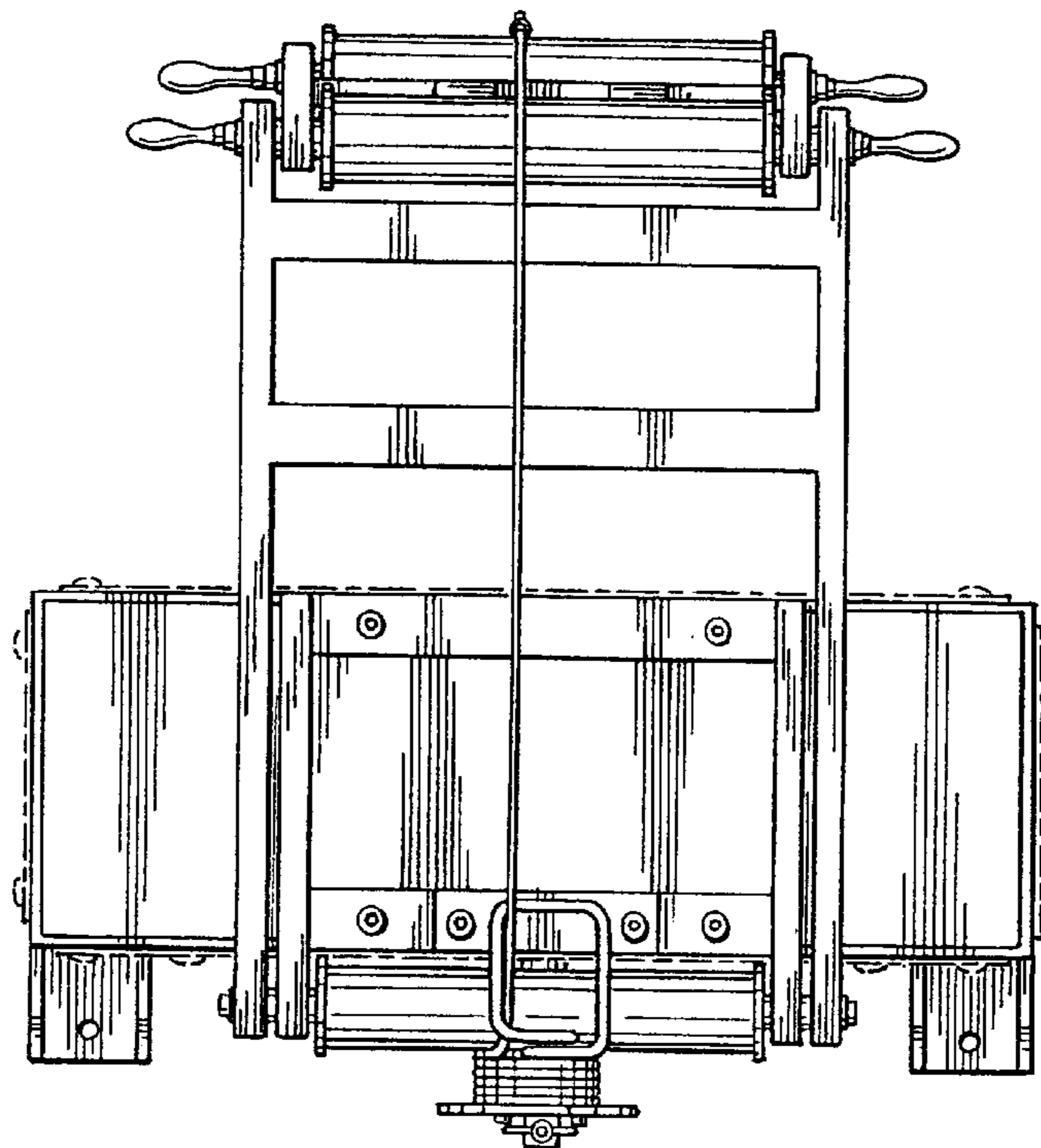


Fig. 6

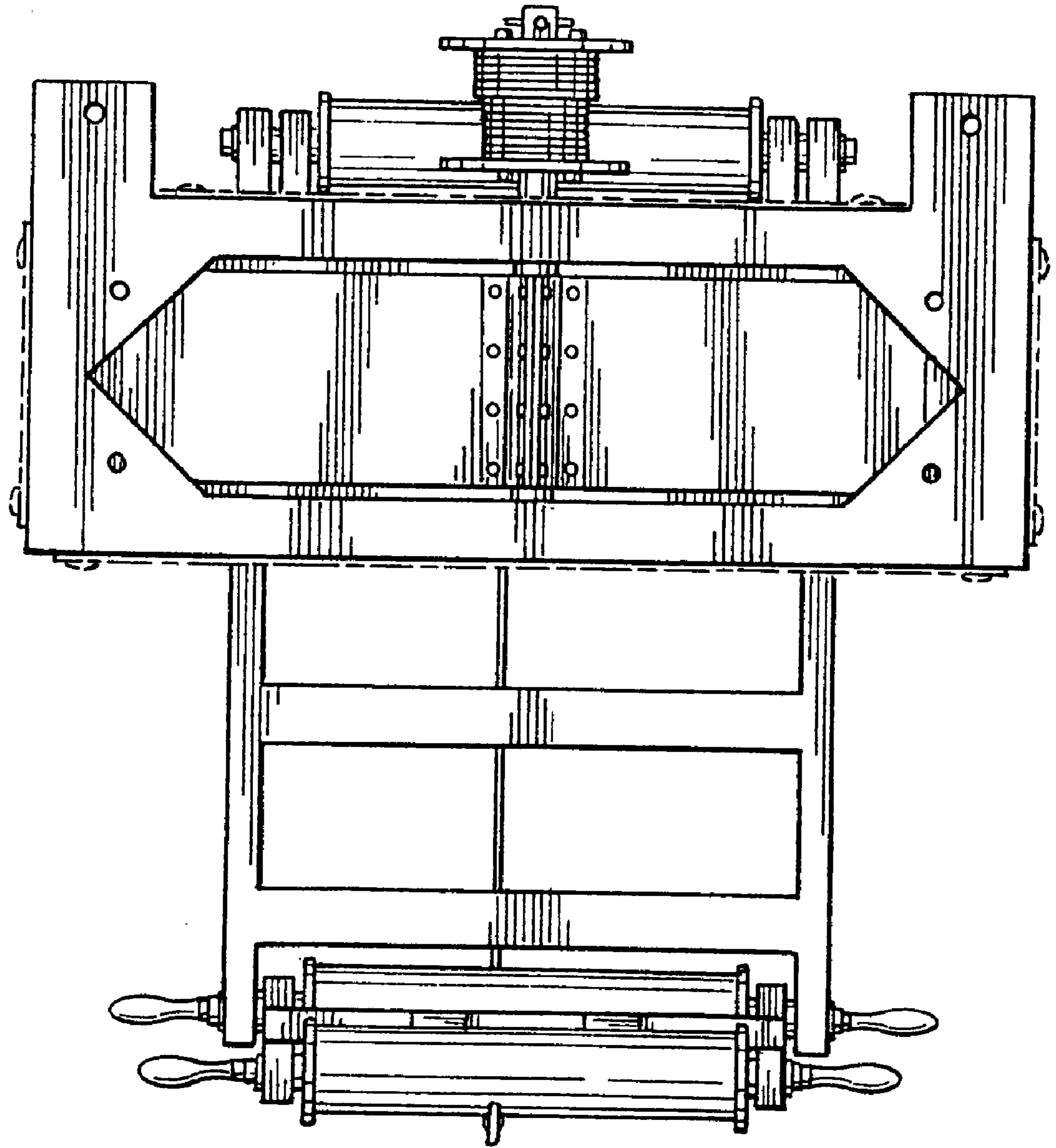


Fig. 7