



US00D482499S

(12) **United States Design Patent**
Garrido et al.

(10) **Patent No.:** **US D482,499 S**

(45) **Date of Patent:** **** Nov. 18, 2003**

(54) **RADIATION SHIELD GARMENT**

(76) Inventors: **Katherine E. Garrido**, P.O. Box 2650
Jamacha Rd., #147-270, El Cajon, CA
(US) 92019; **Georgina Garrido**, 12191
Cuyamaca College Dr., E, #415, El
Cajon, CA (US) 92019; **Michael J.
Garrido**, 12191 Cuyamaca College Dr.,
#415, El Cajon, CA (US) 92019;
Michael J. Garrido, Jr., P.O. Box 2650
Jamacha Rd., #147-20, El Cajon, CA
(US) 92019

(**) Term: **14 Years**

(21) Appl. No.: **29/172,481**

(22) Filed: **Dec. 11, 2002**

(51) **LOC (7) Cl.** **02-02**

(52) **U.S. Cl.** **D29/100; D29/101.4**

(58) **Field of Search** D29/100, 101.1-101.5;
2/457, 48, 462, 463, 464, 467, 2.5, 49.1,
913, 908; D21/805; D2/861, 829

(56) **References Cited**

U.S. PATENT DOCUMENTS

1,163,094 A * 12/1915 Kurek 2/2.5

2,494,664 A * 1/1950 Lubow 250/516.1
3,996,620 A * 12/1976 Maine 2/457
4,441,025 A * 4/1984 McCoy, Jr. 250/516.1
4,602,386 A * 7/1986 Hoffman et al. 2/48
4,648,136 A * 3/1987 Higuchi 2/2.5
4,924,103 A * 5/1990 Stein et al. 250/516.1
D373,168 S * 8/1996 Kahn D21/805
D430,958 S * 9/2000 Stiff D29/100

* cited by examiner

Primary Examiner—Lucy Lieberman

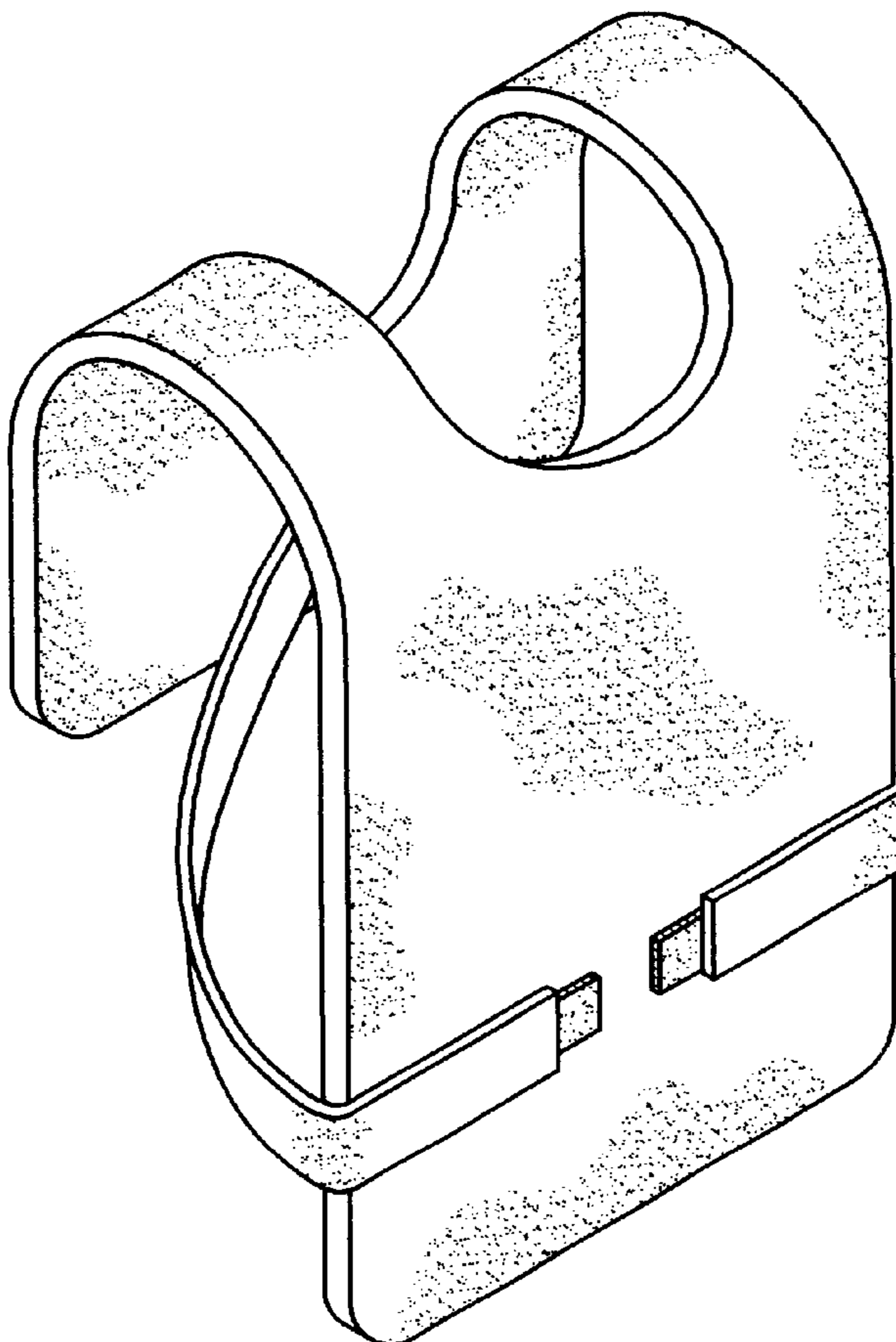
(57) **CLAIM**

The ornamental design for a radiation shield garment, as shown and described.

DESCRIPTION

FIG. 1 is a front elevational view of a radiation shield garment showing our new design;
FIG. 2 is a rear elevational view thereof;
FIG. 3 is a side view, taken from the left side of FIG. 1;
FIG. 4 is a side view, taken from the right side of FIG. 1;
FIG. 5 is a top plan view thereof;
FIG. 6 is a bottom plan view thereof; and,
FIG. 7 is a perspective view thereof.

1 Claim, 3 Drawing Sheets



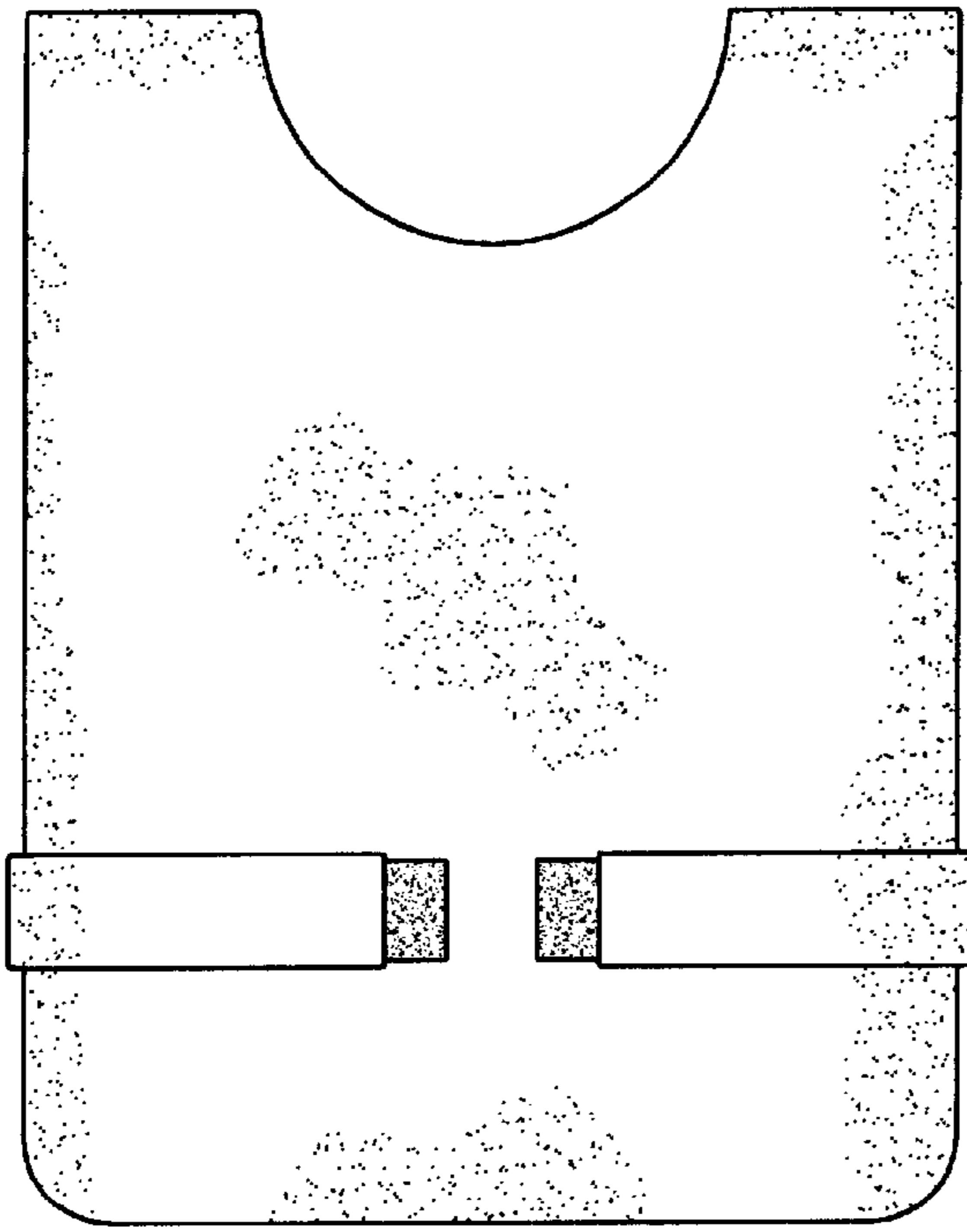


FIG. 1

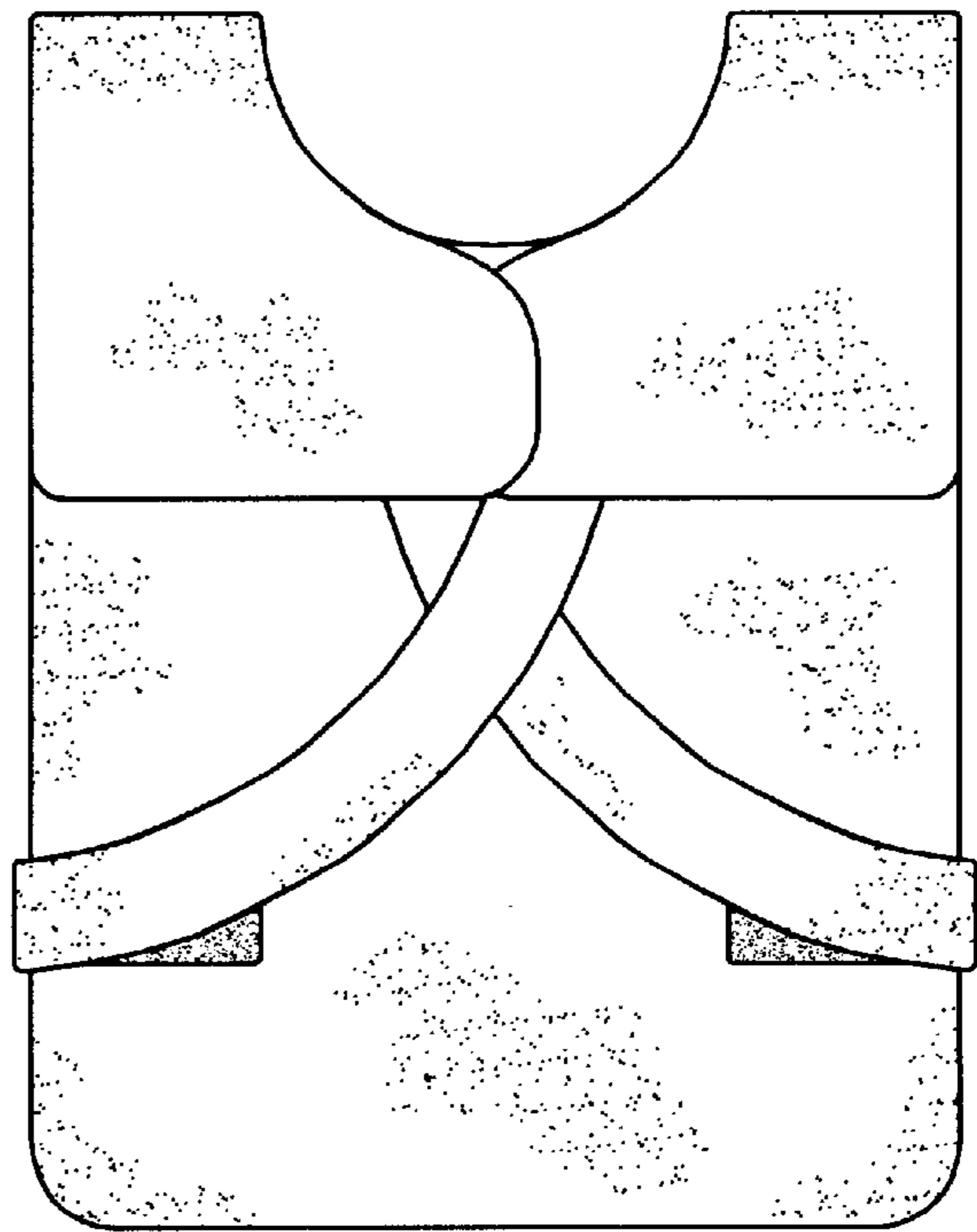


FIG. 2

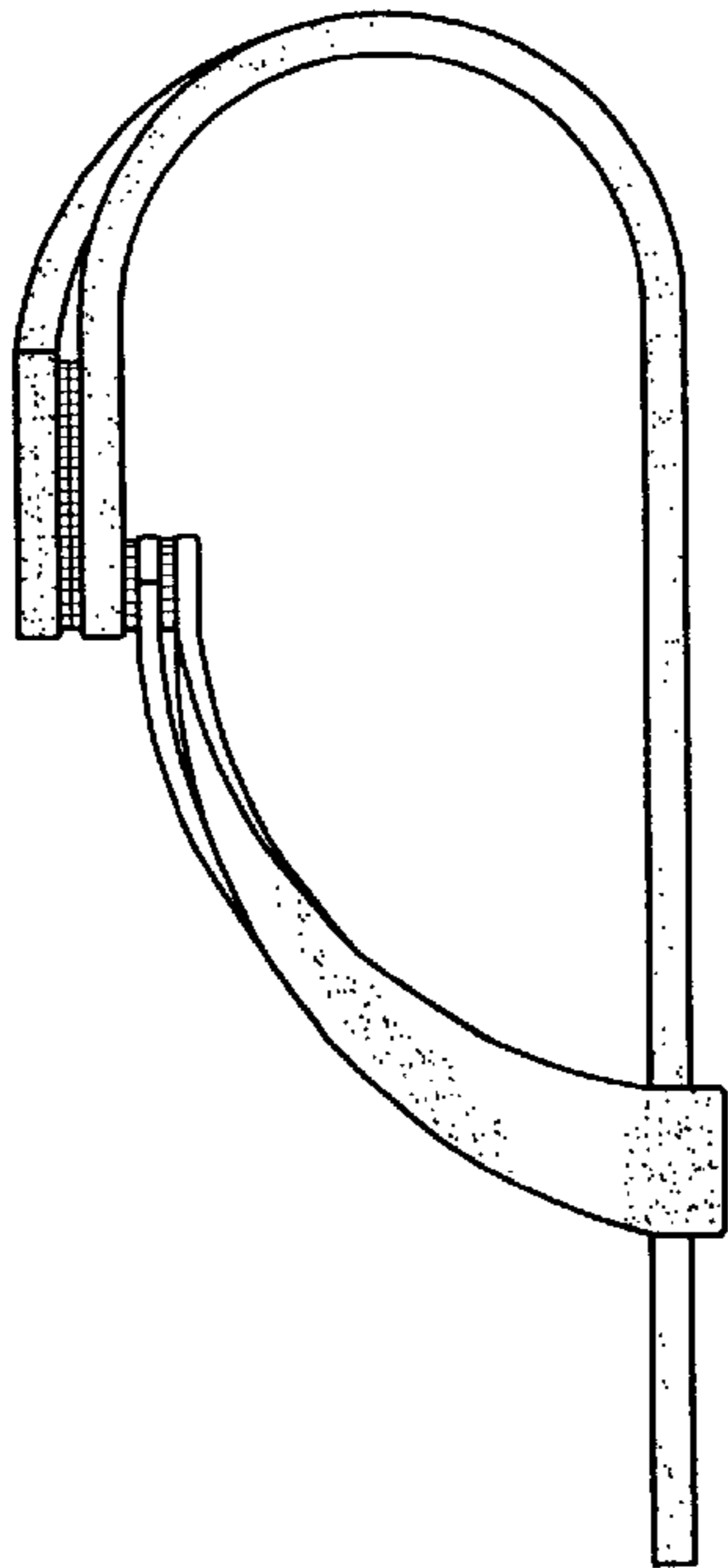


FIG. 3

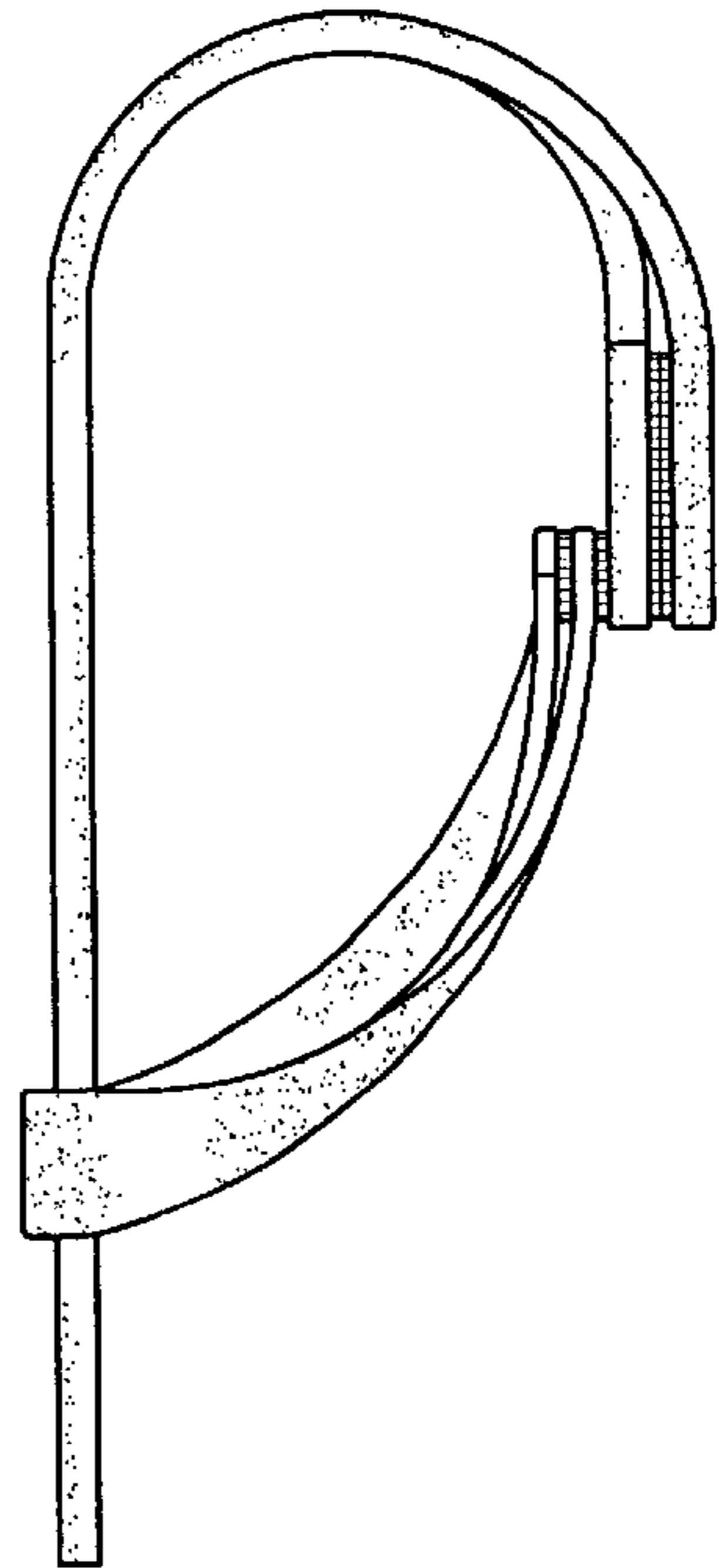


FIG. 4

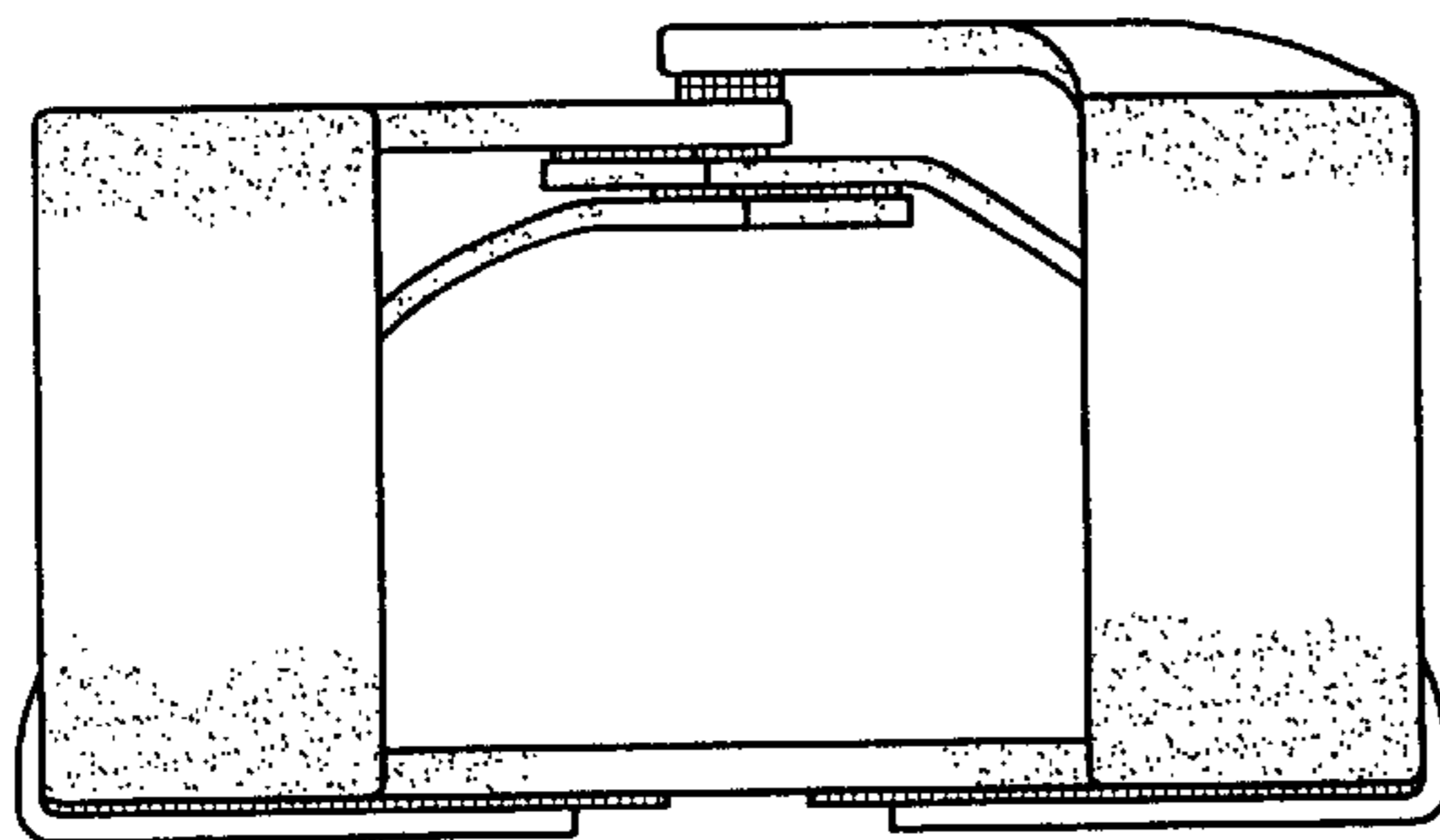


FIG. 5

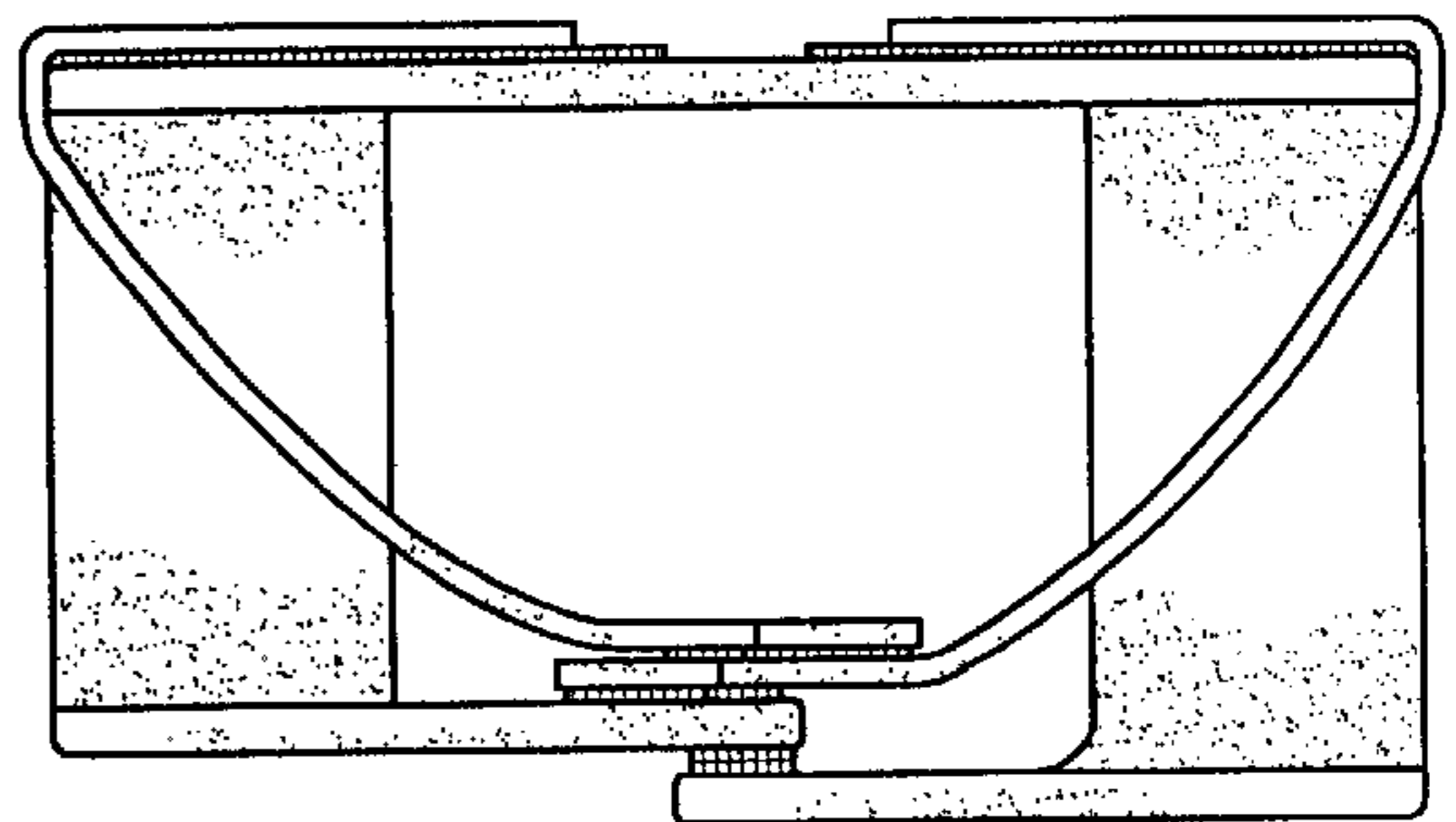


FIG. 6

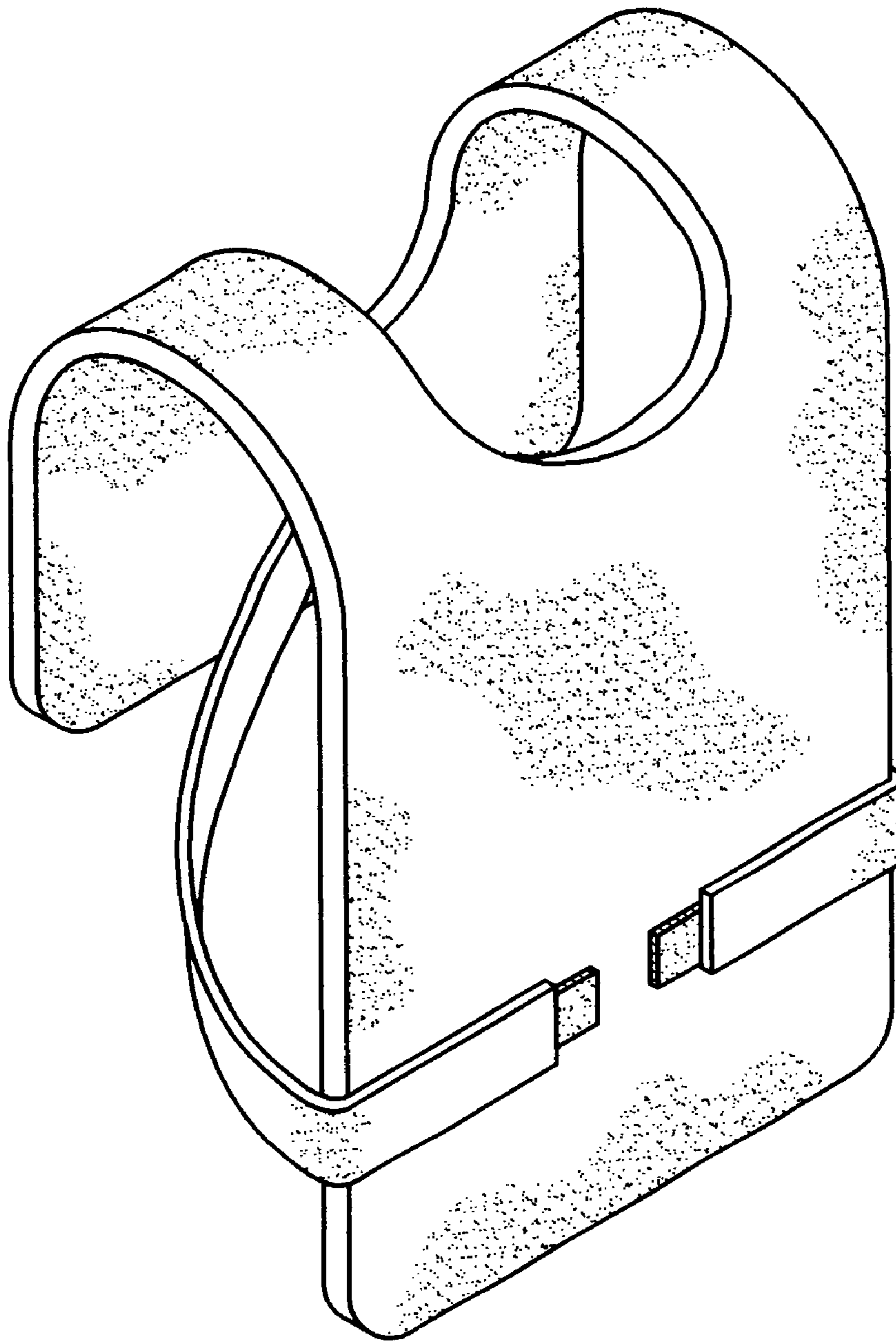


FIG.7