



US00D482493S

(12) **United States Design Patent**
Lillelund et al.

(10) **Patent No.: US D482,493 S**

(45) **Date of Patent: ** *Nov. 18, 2003**

(54) **CONTAINER WITH HINGED LID**

(75) Inventors: **Stig Lillelund**, Gentofte (DK); **Jakob Heiberg**, Charlottenlund (DK); **Ian Tomas Benzon**, Copenhagen (DK); **Robert H. C. M. Daenen**, Aalst (BE)

(73) Assignee: **Dart Industries Inc.**, Orlando, FL (US)

(*) Notice: This patent is subject to a terminal disclaimer.

(**) Term: **14 Years**

(21) Appl. No.: **29/141,527**

(22) Filed: **May 8, 2001**

(51) **LOC (7) Cl. 28-03**

(52) **U.S. Cl. D28/73; D3/294; D3/205**

(58) **Field of Search D3/203, 205, 273, D3/901; D6/524, 553; D9/504, 516, 519, 520, 523, 526, 525, 529, 544, 545, 549, 552, 565, 574, 575; D28/73, 76-80, 91.1**

(56) **References Cited**

U.S. PATENT DOCUMENTS

D49,555 S	*	8/1916	Viraudou	D9/504
1,237,016 A		8/1917	Brown		
D108,904 S	*	3/1938	Da Costa	D9/519
D222,931 S	*	2/1972	Nigro	D9/526
D287,176 S		12/1986	Kouwenhoven		
D309,209 S		7/1990	Oliemans et al.		
D321,627 S	*	11/1991	Plough	D7/596
D339,986 S	*	10/1993	Garouste et al.	D9/529
D342,901 S	*	1/1994	Joo	D9/529

D364,804 S	*	12/1995	Pedersen-Rask	D9/418
D366,619 S		1/1996	Holbrook	D9/526
D370,122 S	*	5/1996	Caldwell	D3/271
D382,803 S		8/1997	Gavin	D9/526
D398,530 S	*	9/1998	Gavin	D9/449
D406,988 S		3/1999	Tisdale	D7/612
D426,410 S	*	6/2000	De Laforcade	D6/512
D426,696 S	*	6/2000	Cayouette	D3/205
D430,034 S	*	8/2000	Kikuchi	D9/529
D431,322 S	*	9/2000	Lemoine	D28/73
D449,536 S	*	10/2001	Kokubo et al.	D9/529
D453,028 S	*	1/2002	DeLuca et al.	D19/93
D457,424 S	*	5/2002	Lillelund et al.	D9/300

* cited by examiner

Primary Examiner—Ted Shooman

Assistant Examiner—Carol Rademaker

(74) *Attorney, Agent, or Firm*—Taylor J. Ross

(57) **CLAIM**

The ornamental design for a container with hinged lid, as shown and described.

DESCRIPTION

FIG. 1 is a top, side and front perspective view of a container with hinged lid showing the new design;

FIG. 2 is a top, side and front perspective view with hinged lid open;

FIG. 3 is a right elevation view of FIG. 1;

FIG. 4 is a left side elevation view thereof;

FIG. 5 is a front side elevation view thereof;

FIG. 6 is a rear side elevation view thereof; and,

FIG. 7 is a top plan view thereof.

1 Claim, 4 Drawing Sheets

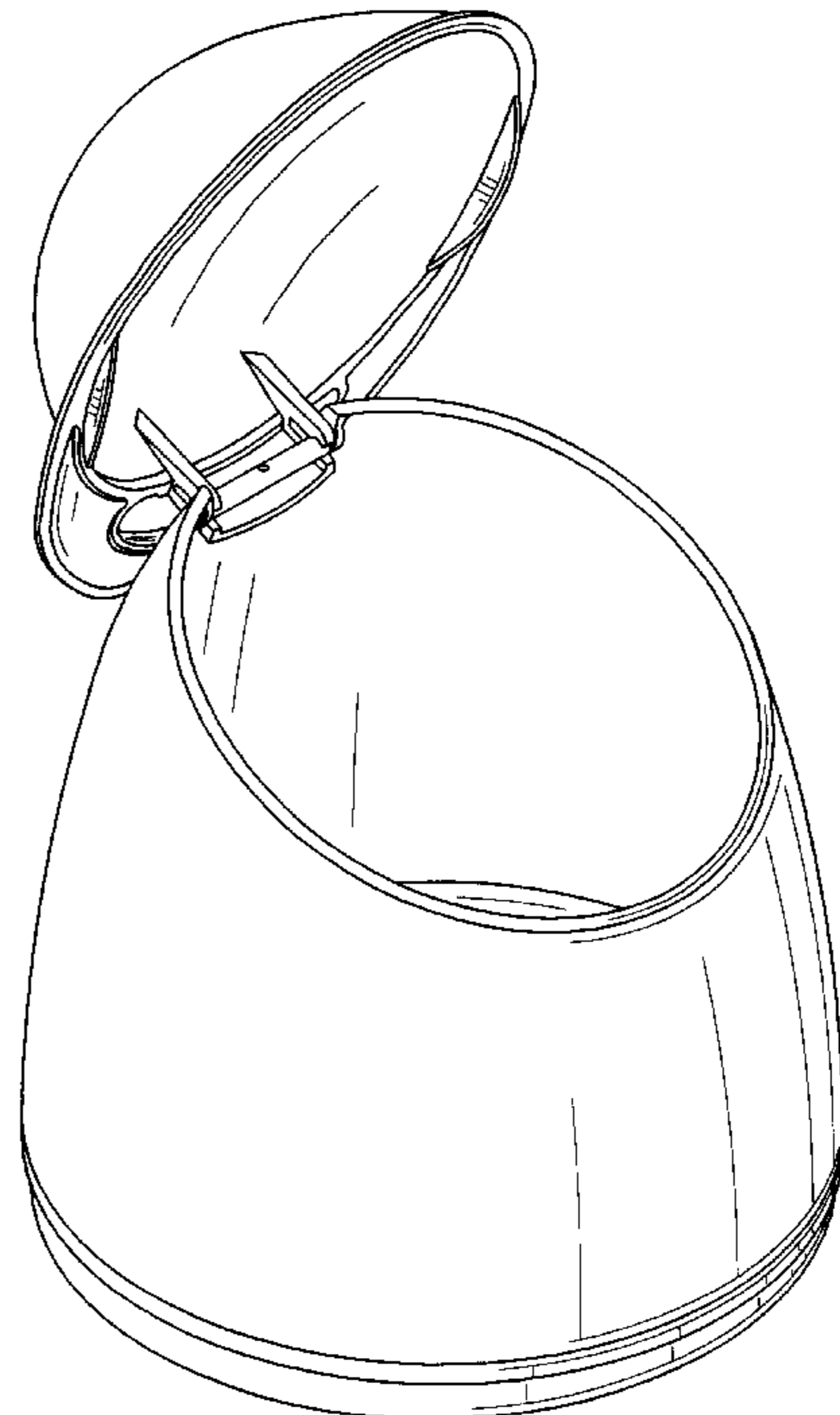




FIG. 1

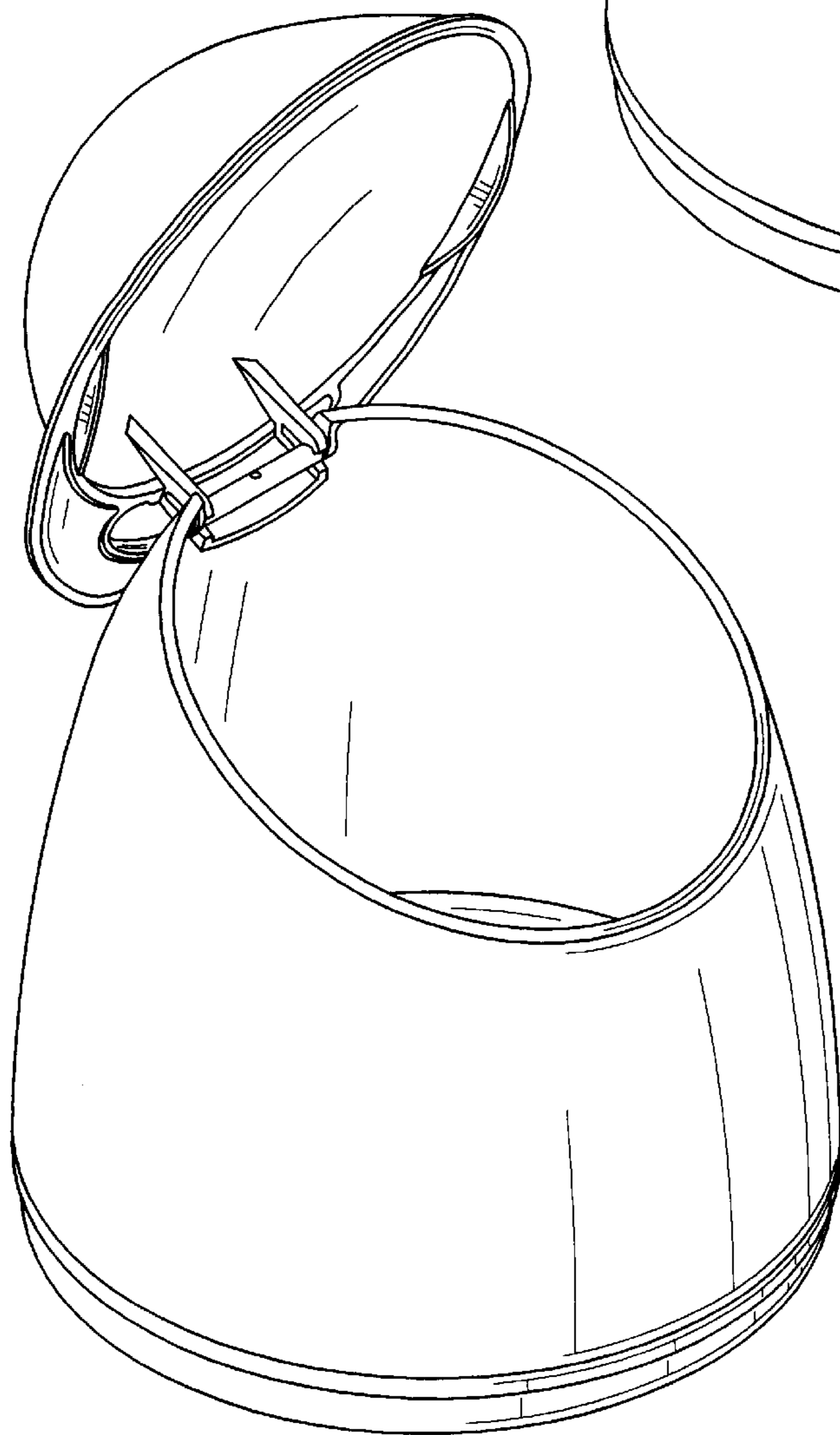


FIG. 2

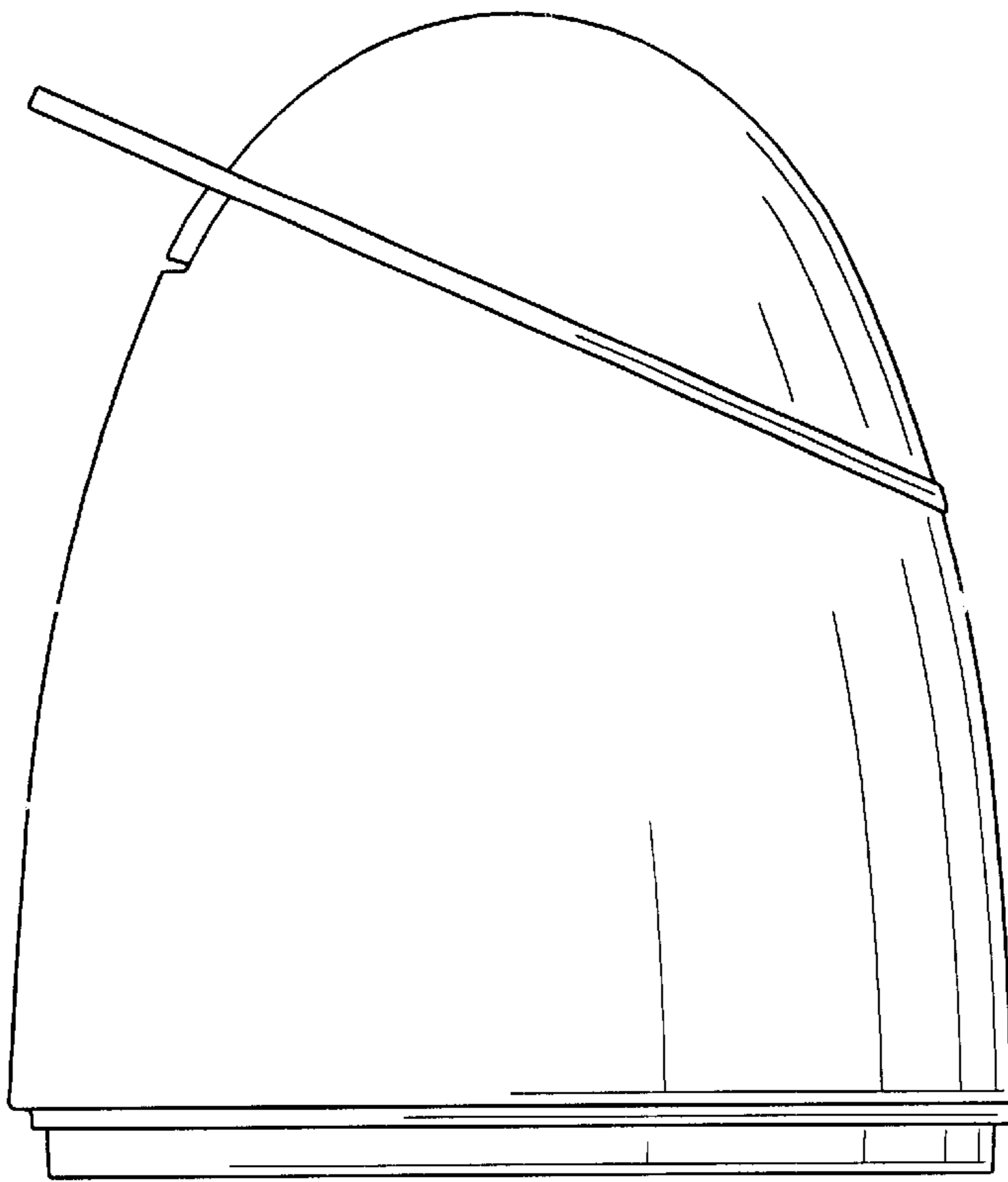


FIG. 3

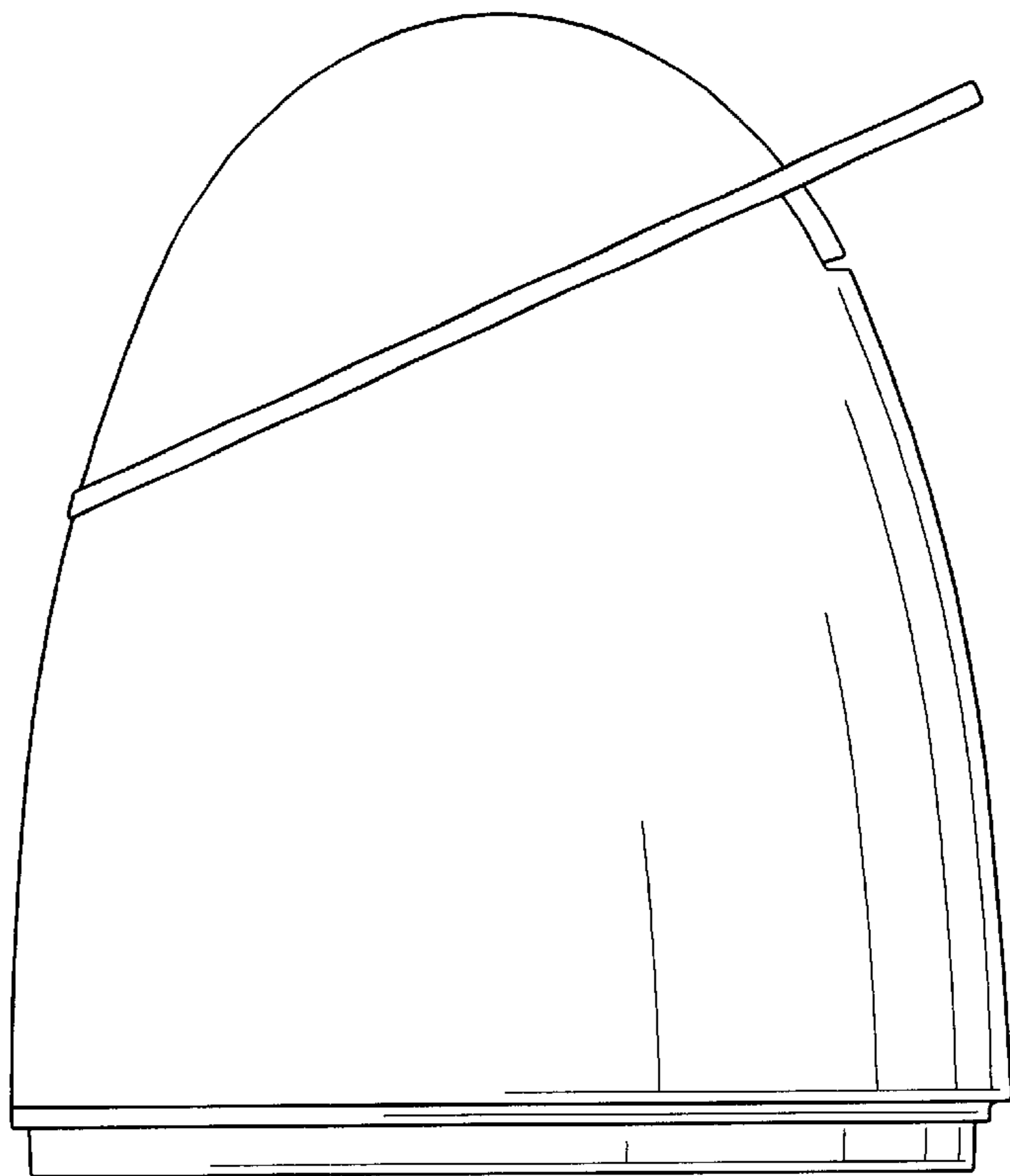


FIG. 4

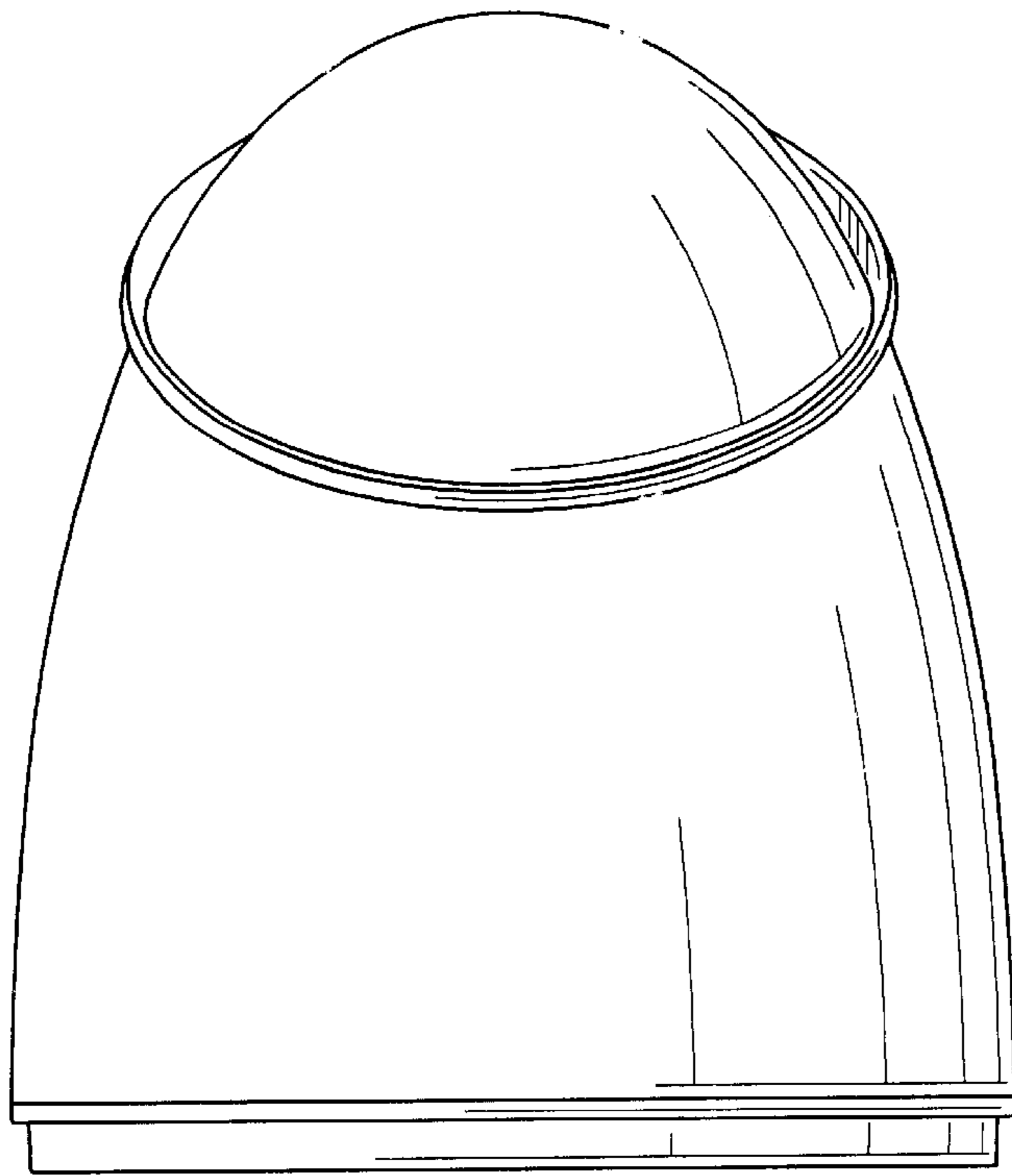


FIG. 5

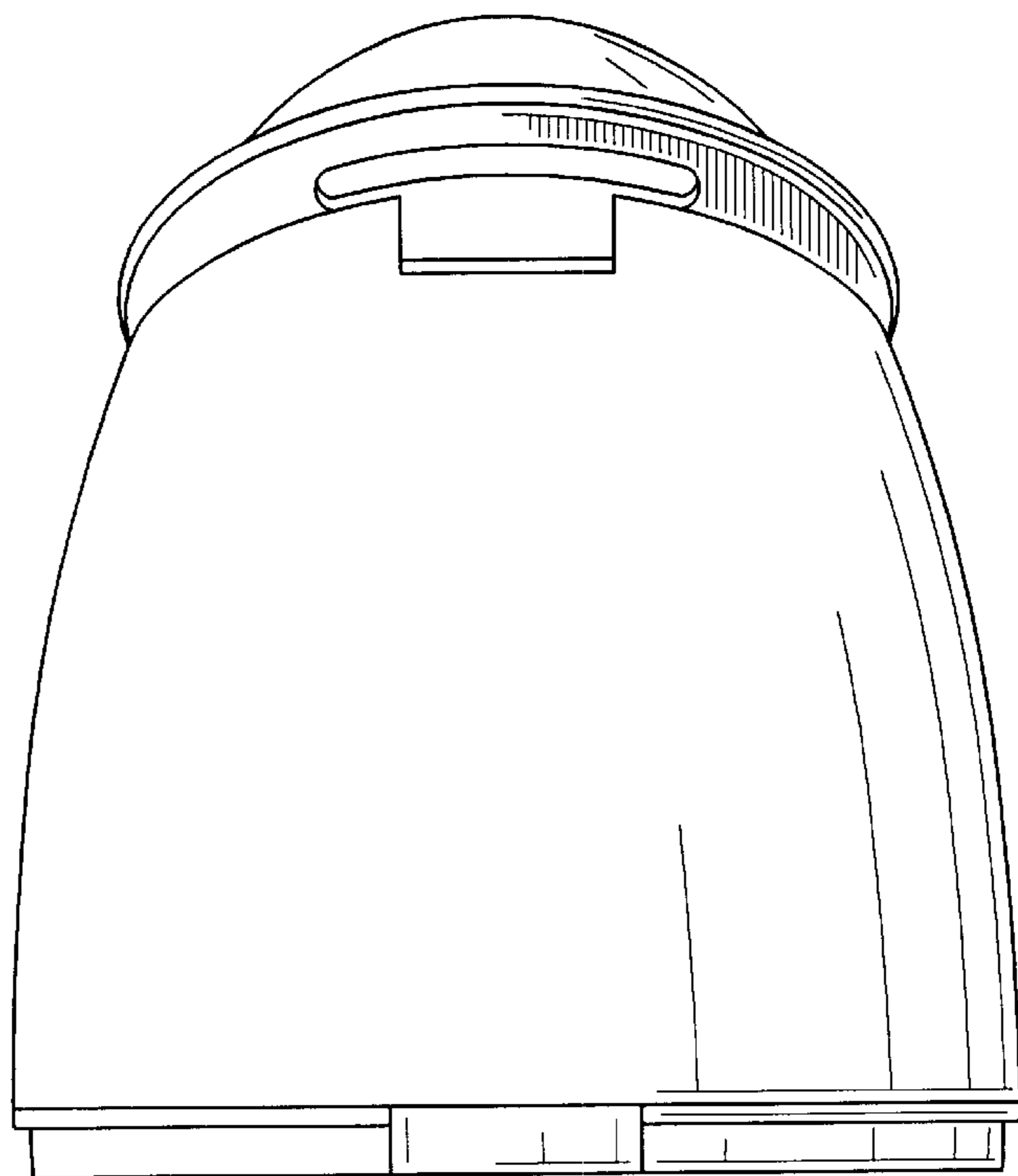


FIG. 6

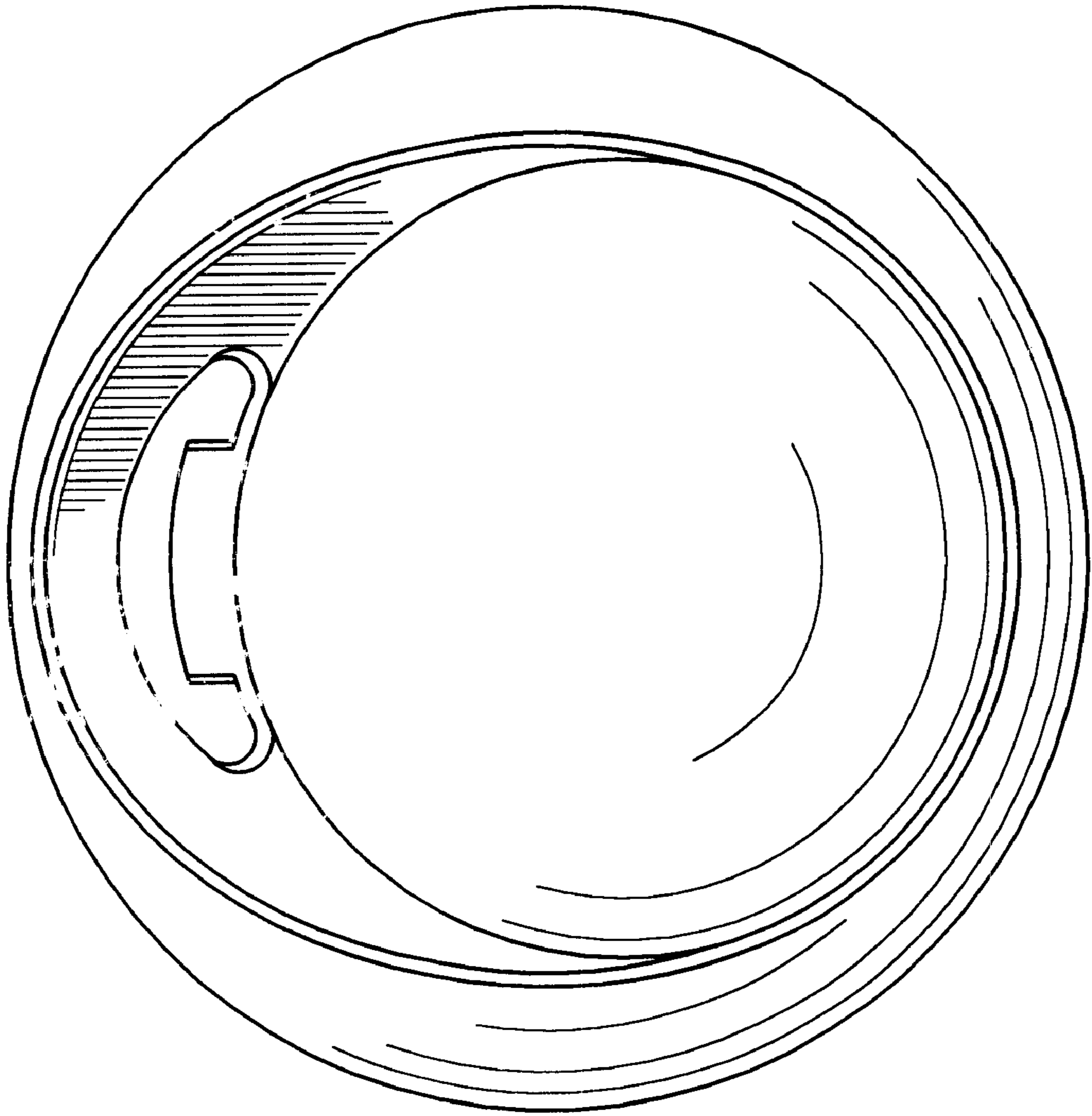


FIG. 7