



US00D482491S

(12) **United States Design Patent**
Maesawa et al.

(10) **Patent No.:** **US D482,491 S**

(45) **Date of Patent:** **** Nov. 18, 2003**

(54) **HAIR IRON**

JP 10-15059 5/1998

(75) Inventors: **Naoki Maesawa**, Tokyo (JP); **Toshiaki Nakajo**, Narashino (JP)

* cited by examiner

(73) Assignee: **Matsushita Electric Works, Ltd.** (JP)

Primary Examiner—Jennifer Rivard
(74) *Attorney, Agent, or Firm*—Rosenthal&Osha L.L.P.

(**) Term: **14 Years**

(57) **CLAIM**

(21) Appl. No.: **29/170,743**

The ornamental design for a hair iron, as shown and described.

(22) Filed: **Nov. 12, 2002**

(30) **Foreign Application Priority Data**

DESCRIPTION

Jun. 14, 2002 (JP) 2002-016063

FIG. 1 is a front view of the design according to one embodiment of the invention.

(51) **LOC (7) Cl.** **28-03**

FIG. 2 is a rear view of the design according to one embodiment of the invention.

(52) **U.S. Cl.** **D28/35**

FIG. 3 is a top view of the design according to one embodiment of the invention.

(58) **Field of Search** D28/35; 132/223–225,
132/269, 271; 219/222, 225

FIG. 4 is a bottom view of the design according to one embodiment of the invention.

(56) **References Cited**

FIG. 5 is a left side view of the design according to one embodiment of the invention.

U.S. PATENT DOCUMENTS

FIG. 6 is a right side view of the design according to one embodiment of the invention.

6,191,387 B1 * 2/2001 Smal 219/225

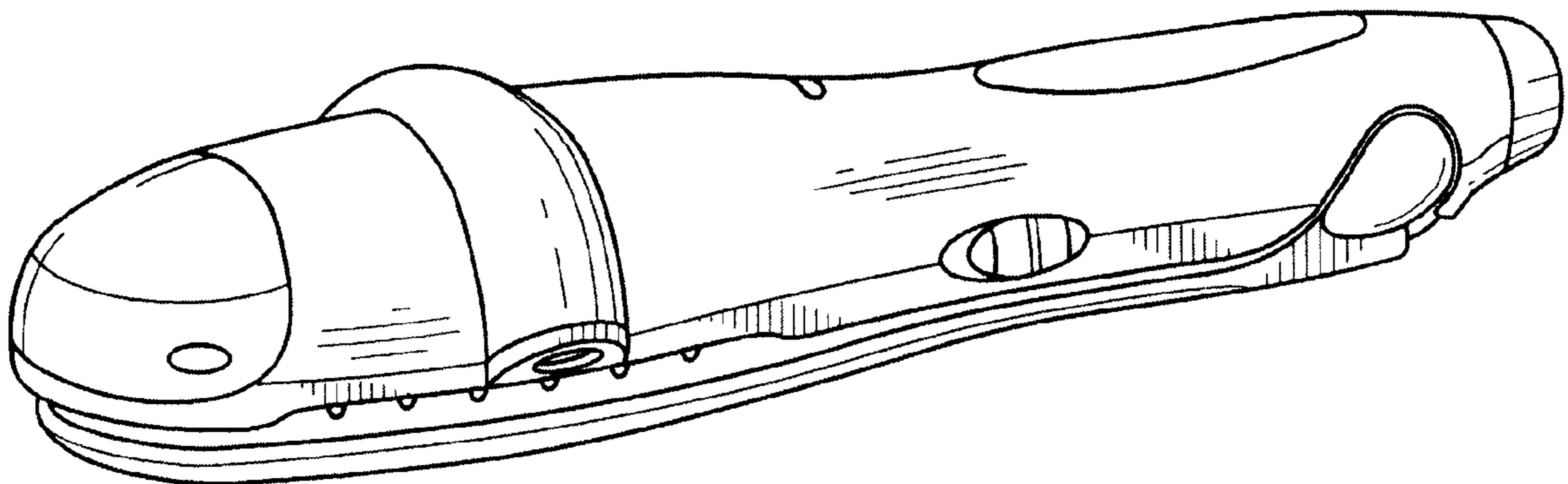
6,386,206 B2 * 5/2002 Lee 132/225

FIG. 7 is a front view of the design in an opened state; and, FIG. 8 is a perspective view in accordance with one embodiment of the invention.

FOREIGN PATENT DOCUMENTS

JP 7-4131 2/1995

1 Claim, 4 Drawing Sheets



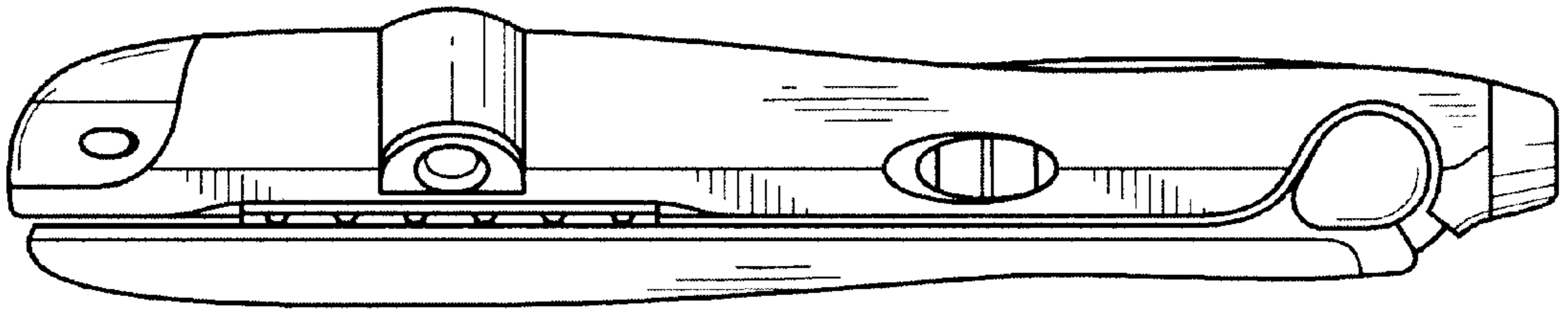


FIG. 1

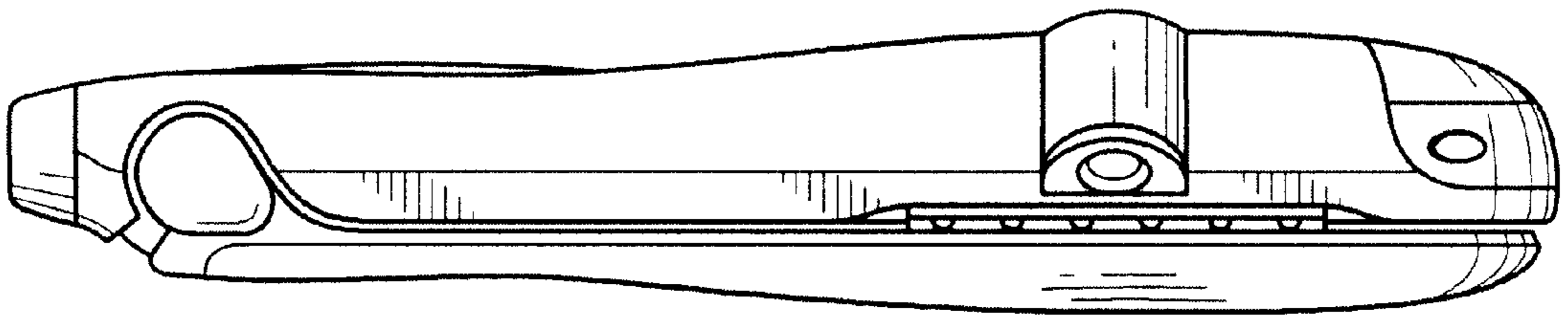


FIG. 2

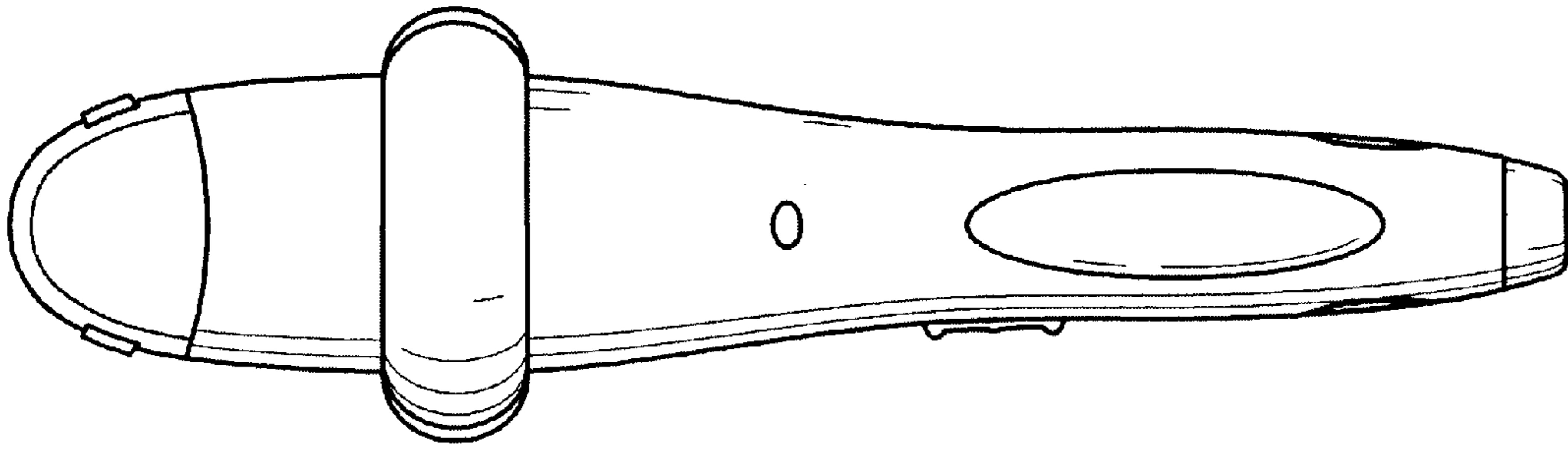


FIG. 3

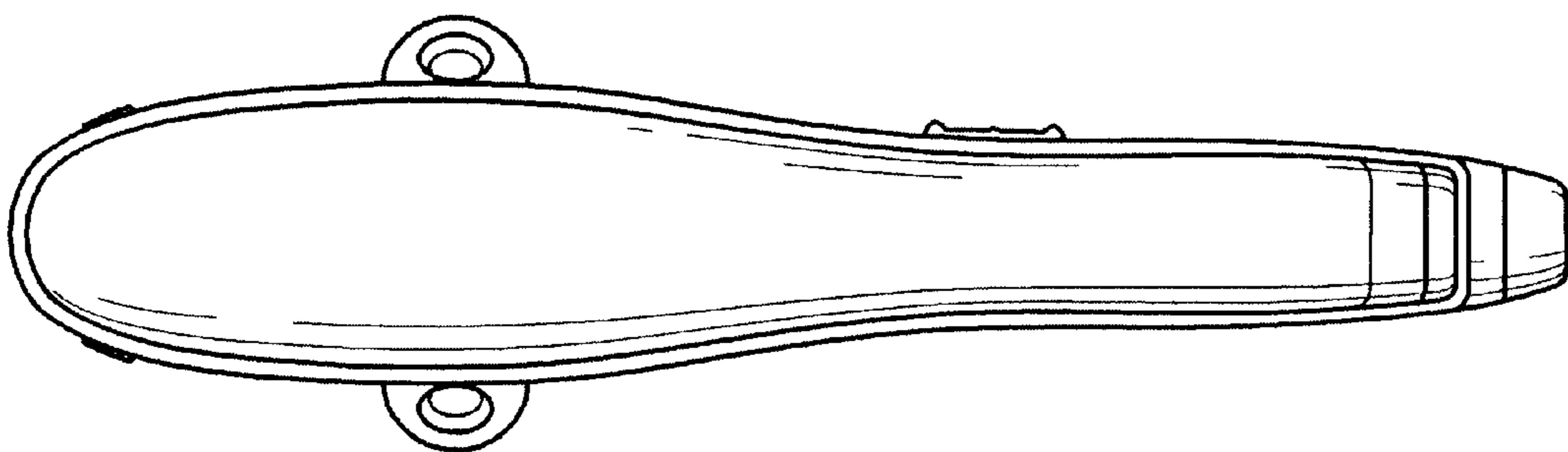


FIG. 4

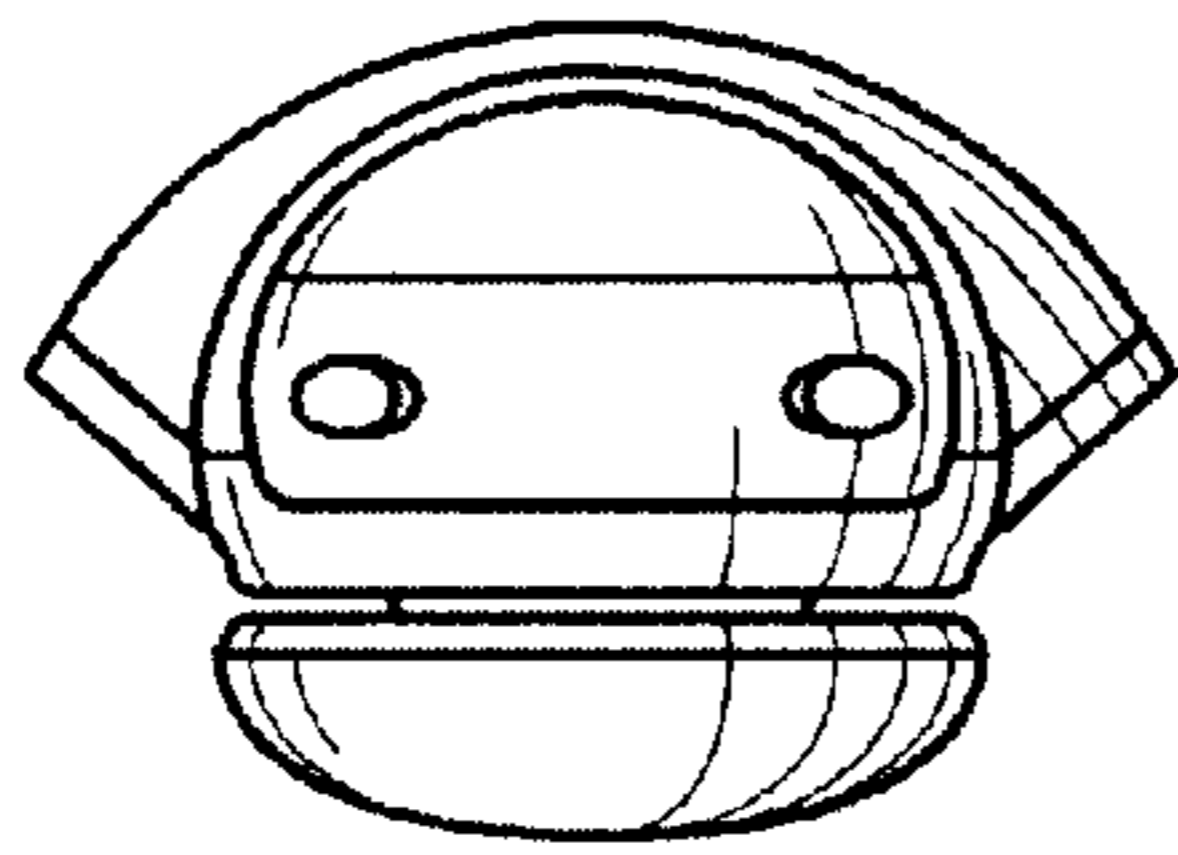


FIG. 5

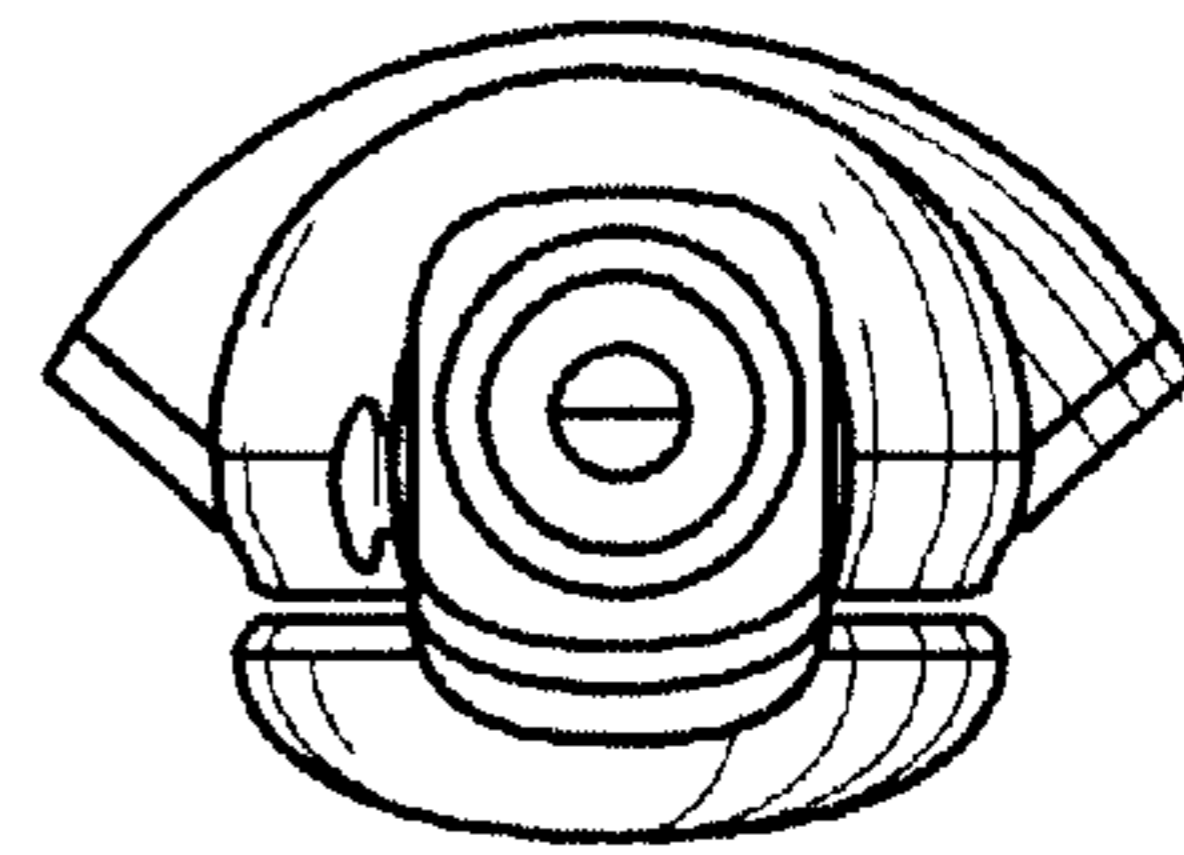


FIG. 6

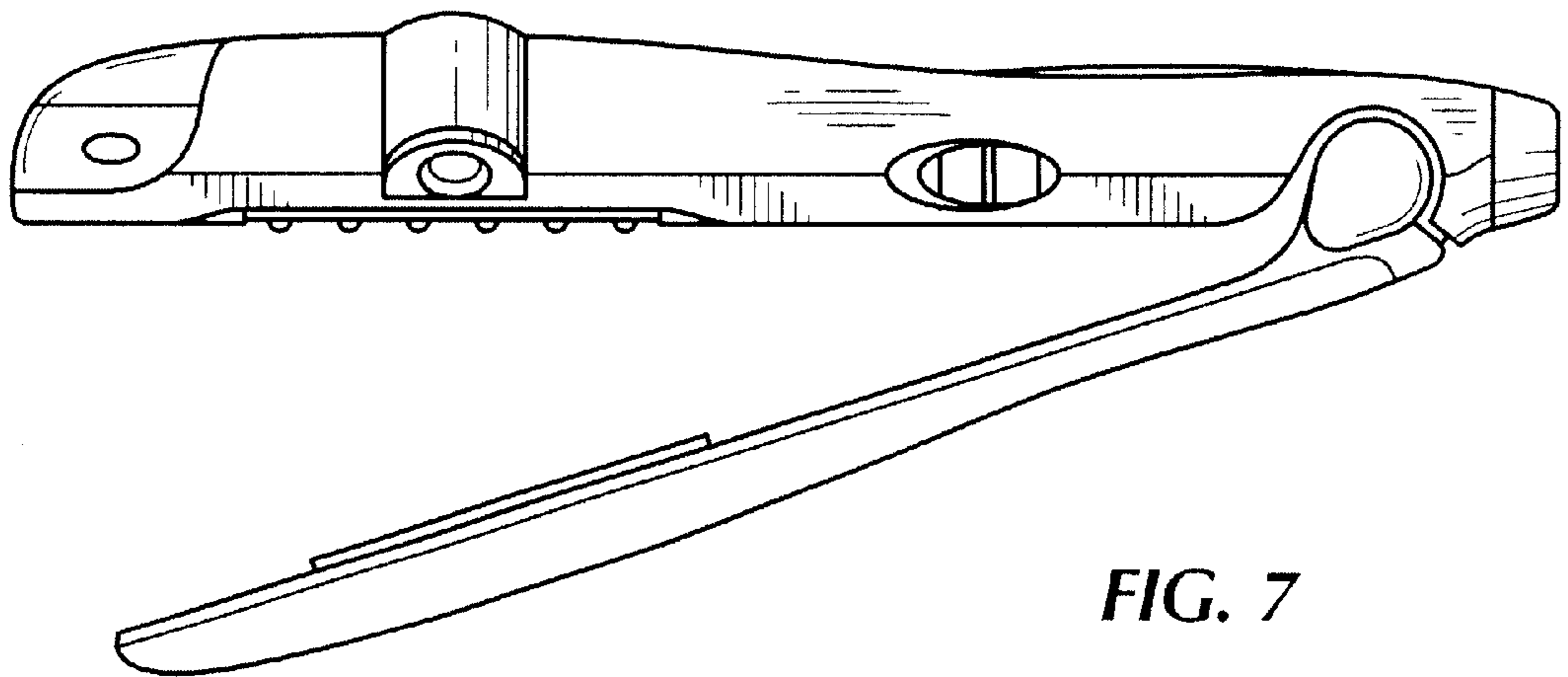


FIG. 7

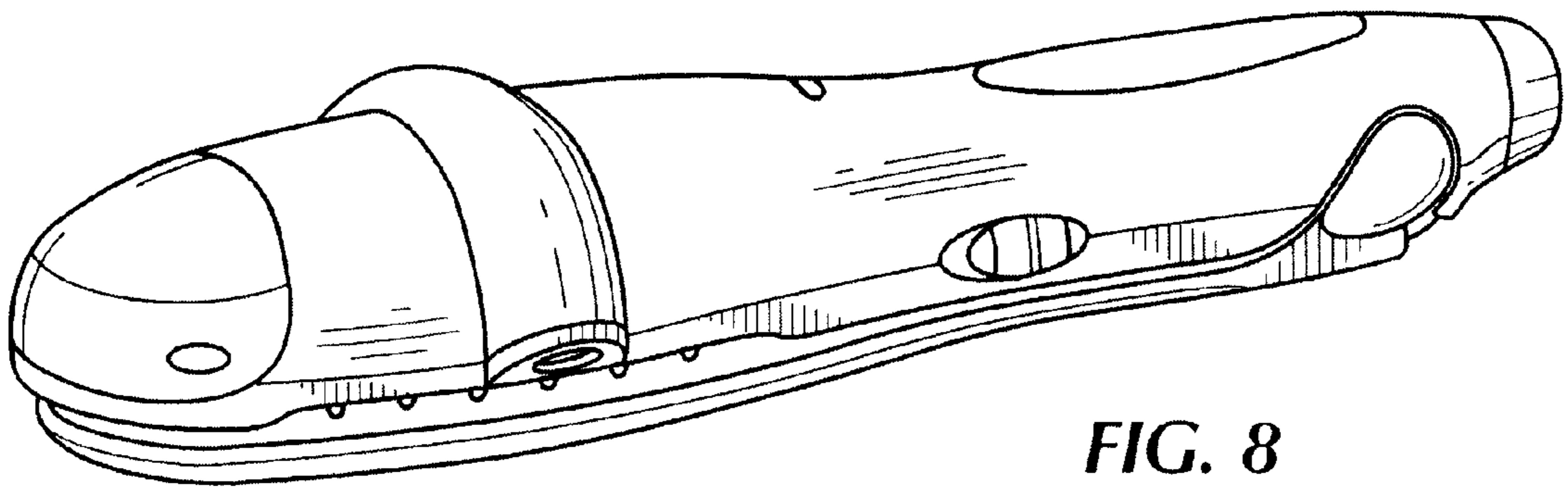


FIG. 8