



US00D482489S

(12) **United States Design Patent**  
**Gary et al.**

(10) **Patent No.: US D482,489 S**

(45) **Date of Patent: \*\* Nov. 18, 2003**

(54) **PIVOTING SURFACE AND SIDING CLIP**

(75) Inventors: **Lonnie F. Gary**, Ransom Canyon, TX (US); **Chad H. Jones**, Lubbock, TX (US); **Andrew G. Avinger**, Lubbock, TX (US)

(73) Assignee: **Gemmy Industries, Inc.**, Irving, TX (US)

(\*\*) Term: **14 Years**

(21) Appl. No.: **29/155,317**

(22) Filed: **Feb. 8, 2002**

(51) **LOC (7) Cl.** ..... **26-99**

(52) **U.S. Cl.** ..... **D26/138; D8/395**

(58) **Field of Search** ..... **D26/138; D8/395; 362/191, 396, 419; 248/229.15, 316.4, 316.5**

(56) **References Cited**

**U.S. PATENT DOCUMENTS**

5,110,078 A	5/1992	Gary	.....	248/206.2
D393,098 S	* 3/1998	Adams	.....	D26/138
D402,396 S	* 12/1998	Protz, Jr.	.....	D26/138

D417,612 S \* 12/1999 Jones ..... D8/395

D451,007 S 11/2001 Jones et al. .... D8/395

6,338,460 B1 \* 1/2002 Rumpel ..... 362/396

6,513,772 B2 \* 2/2003 McNeese et al. .... 248/316.5

2002/0186562 A1 \* 12/2002 Schroetter ..... 362/396

\* cited by examiner

*Primary Examiner*—Jennifer Rivard

(74) *Attorney, Agent, or Firm*—Locke Liddell & Sapp LLP; Monty L. Ross

(57) **CLAIM**

The ornamental design for a pivoting surface and siding clip, as shown and described.

**DESCRIPTION**

FIG. 1 is a front perspective view of a pivoting surface and siding hook, showing our design;  
 FIG. 2 is a front elevation view thereof;  
 FIG. 3 is a top plan view thereof;  
 FIG. 4 is a right side elevation view thereof;  
 FIG. 5 is a rear elevation view thereof;  
 FIG. 6 is a left side elevation view thereof; and,  
 FIG. 7 is a bottom plan view thereof.

**1 Claim, 1 Drawing Sheet**

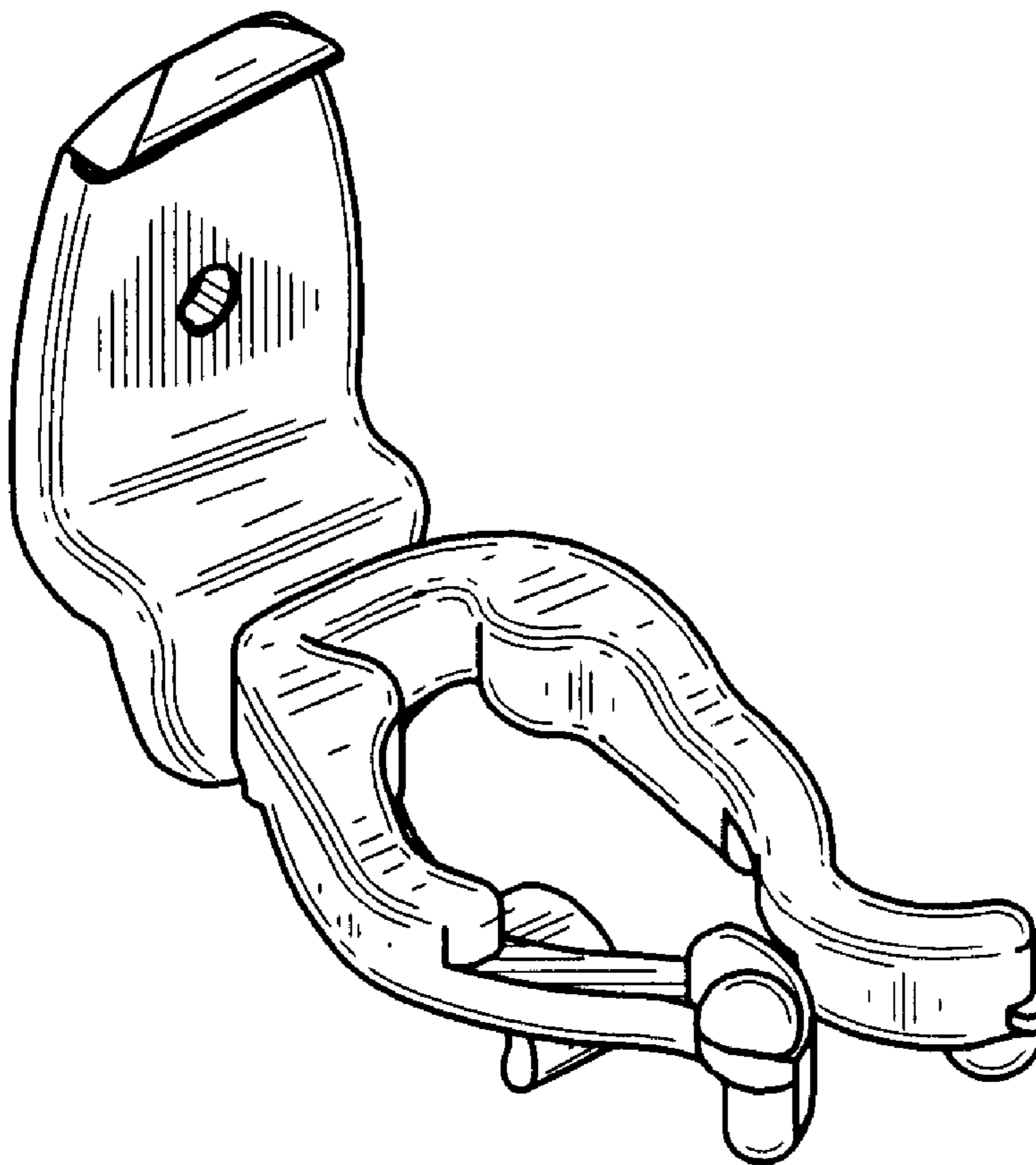


FIG. 1

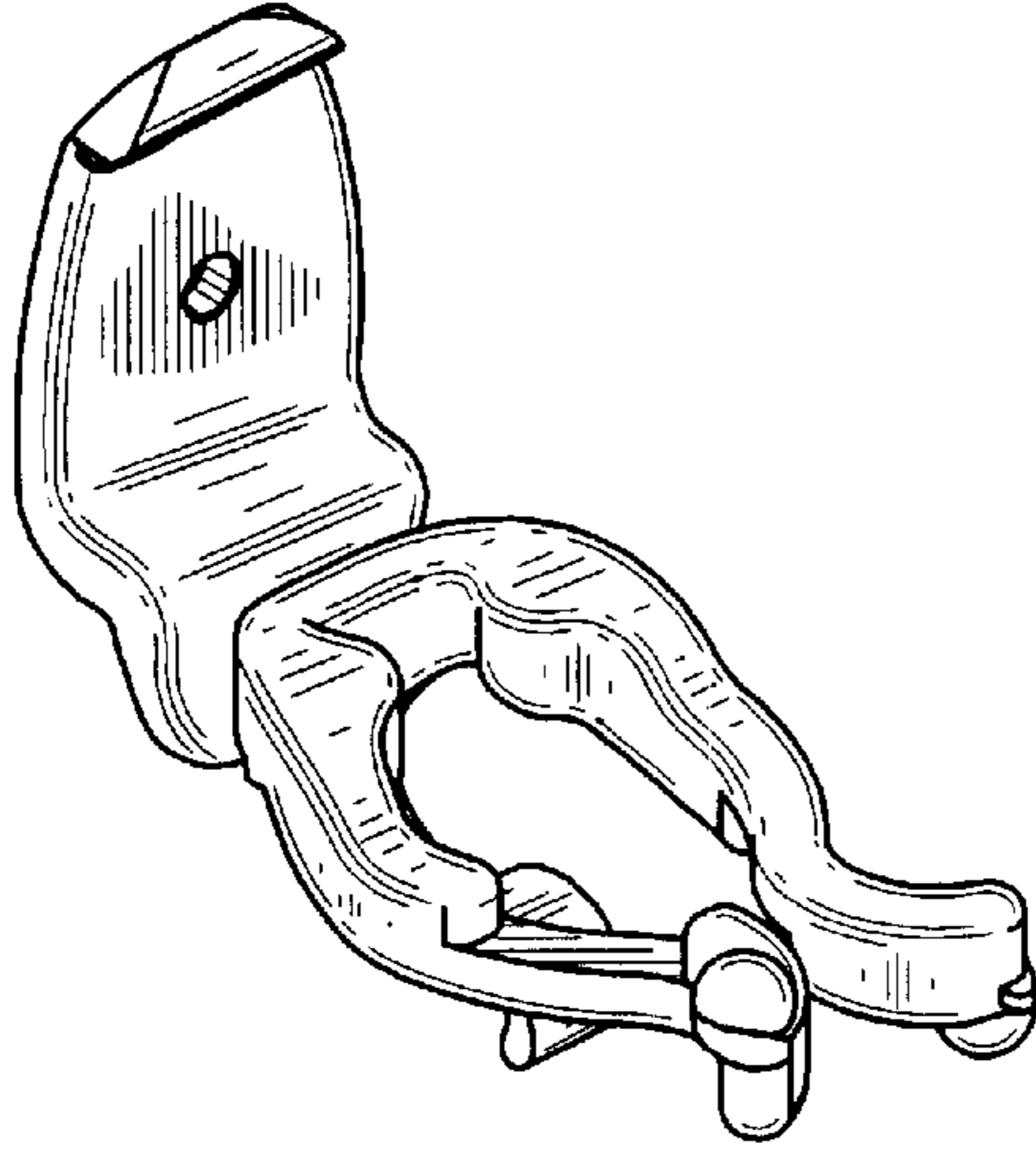


FIG. 2

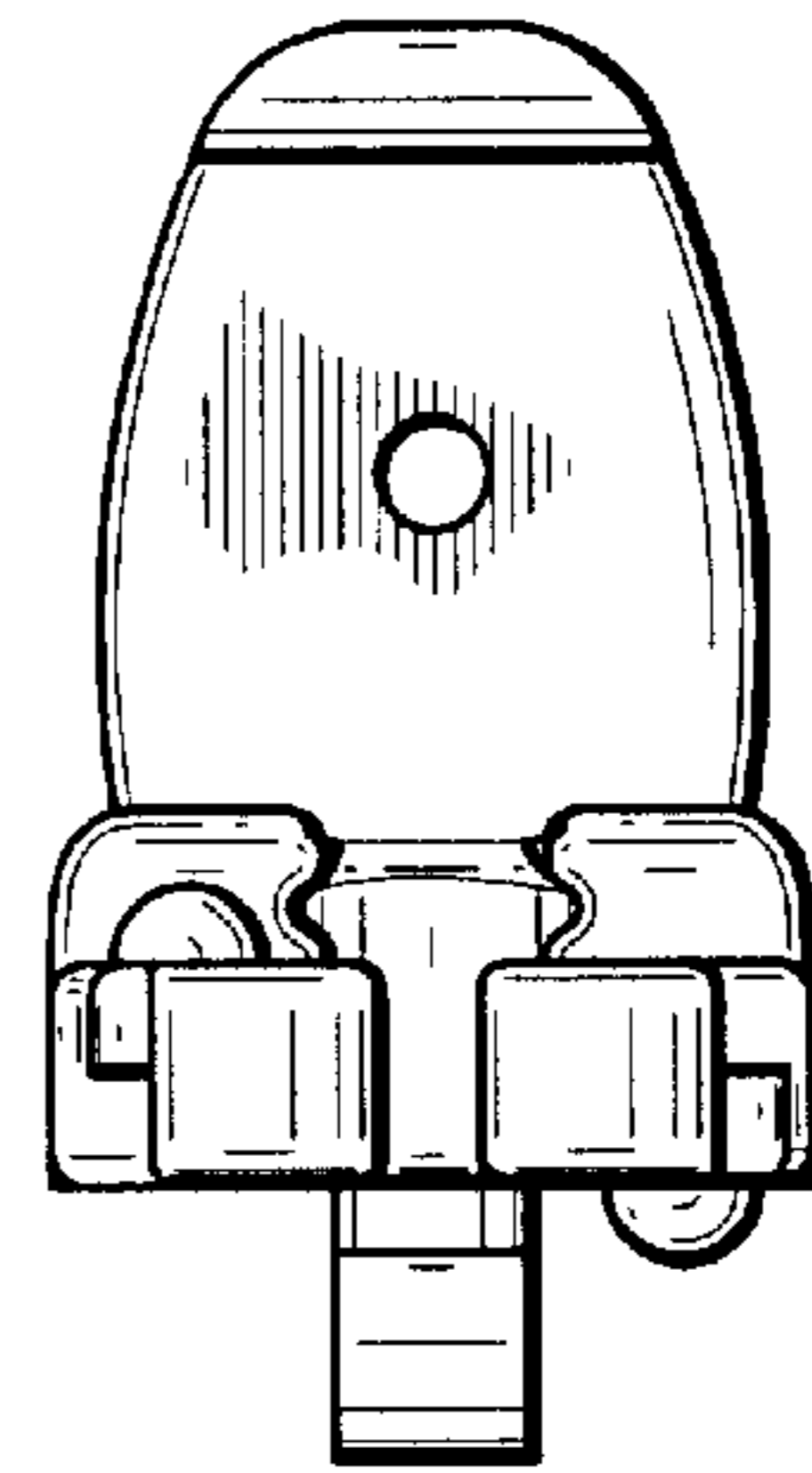


FIG. 3

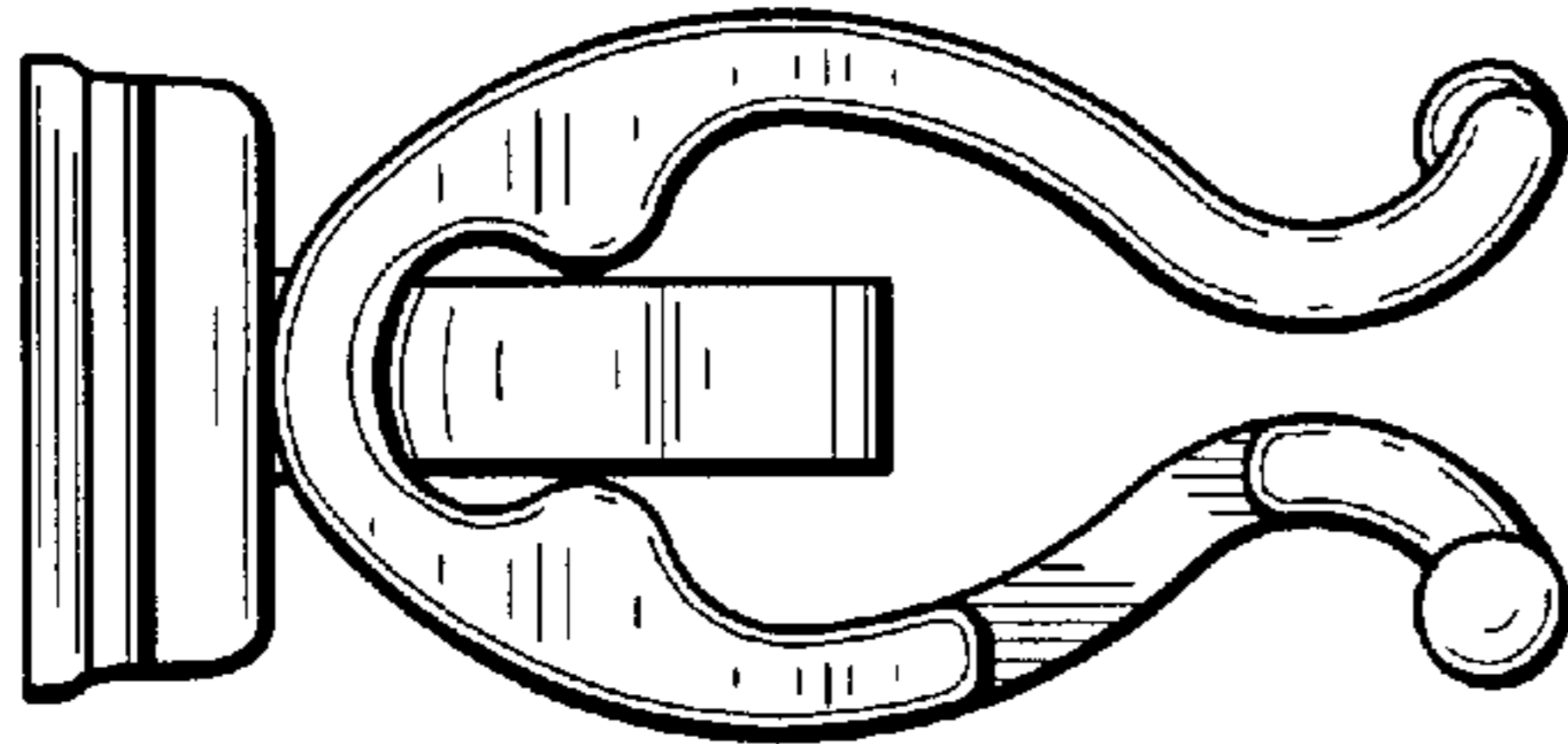


FIG. 4

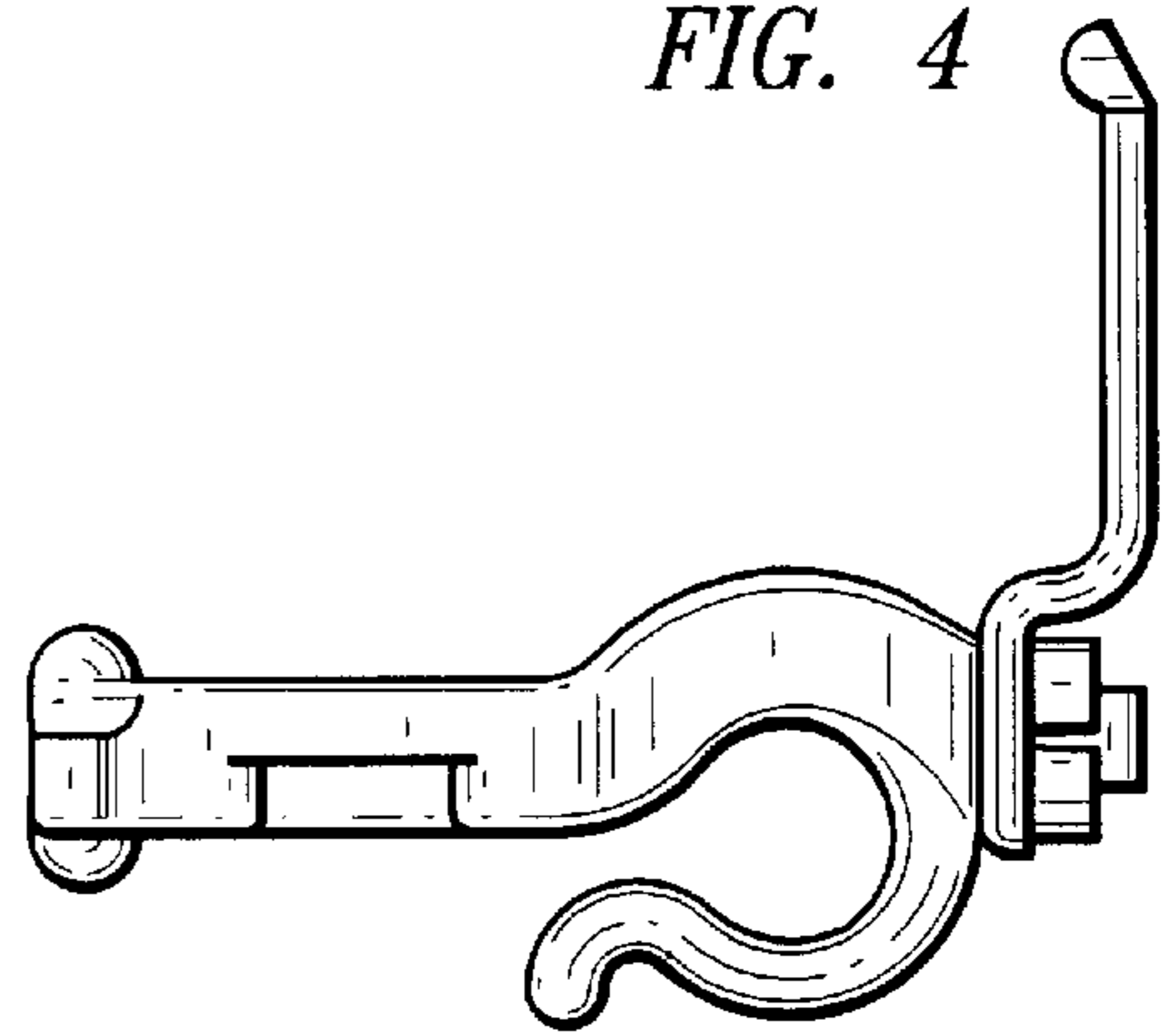


FIG. 5

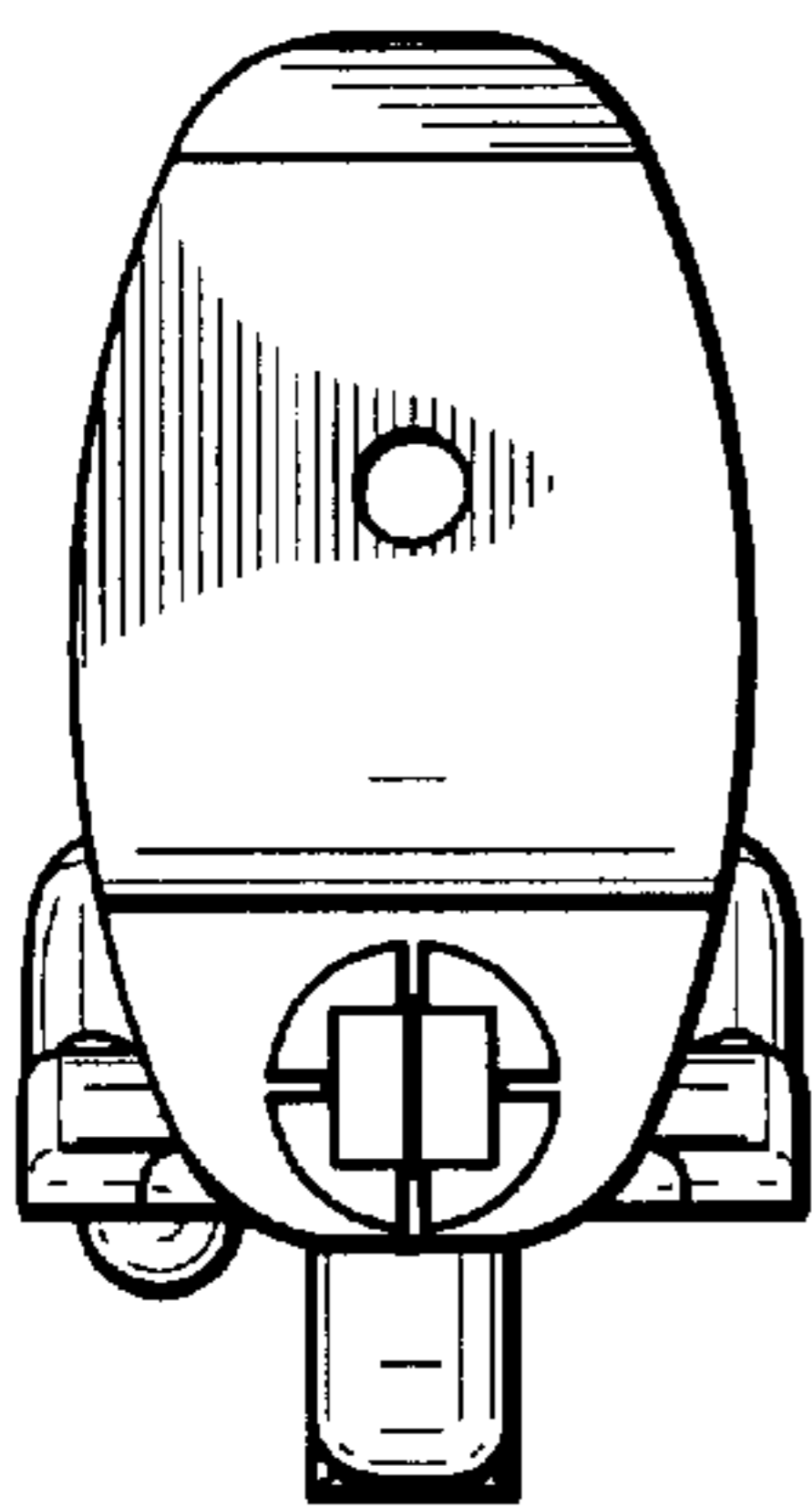


FIG. 6

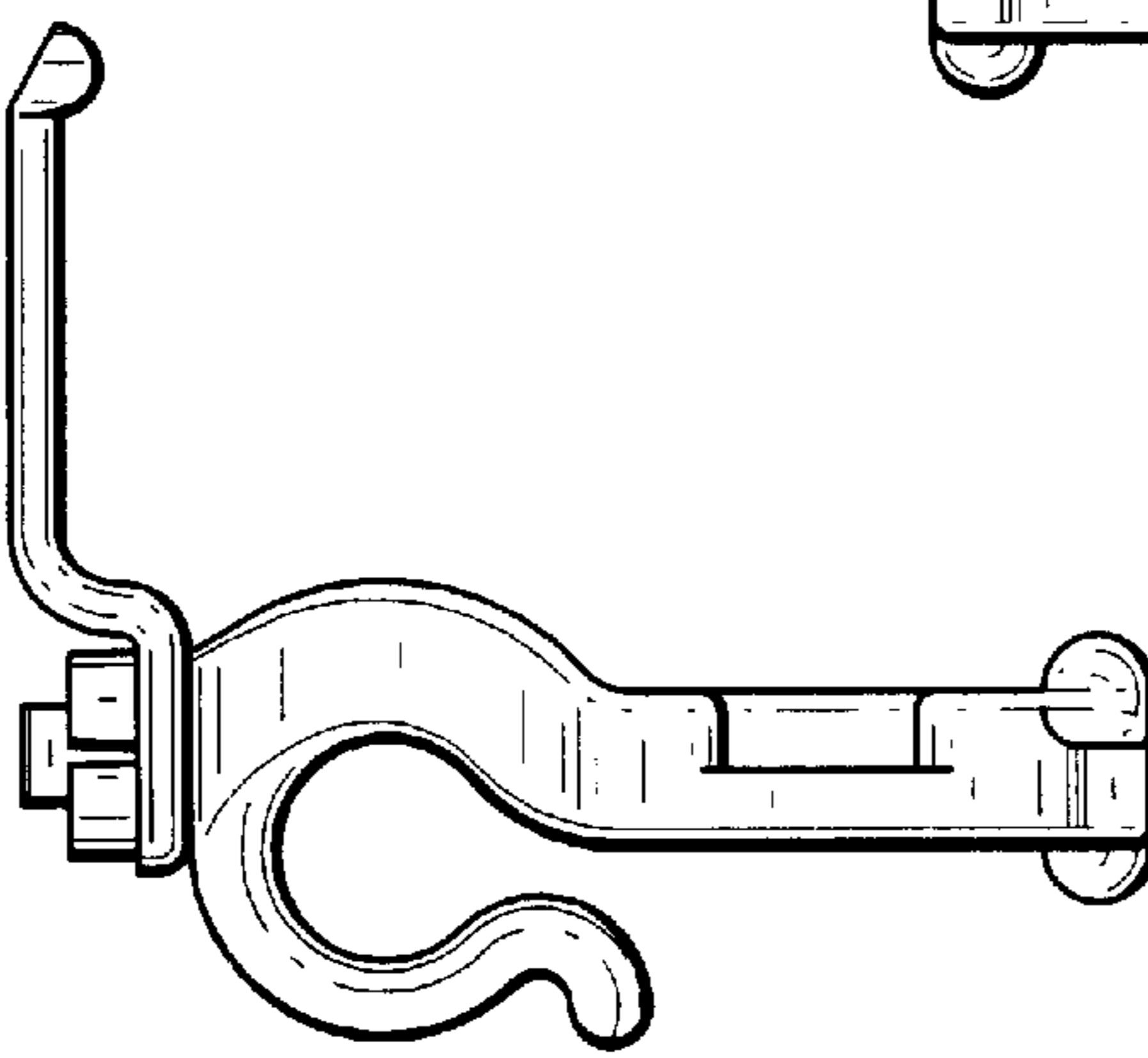


FIG. 7

