



US00D482487S

(12) **United States Design Patent**
Russello et al.

(10) **Patent No.:** **US D482,487 S**

(45) **Date of Patent:** **** Nov. 18, 2003**

(54) **LUMINAIRE**

6,422,709 B1 * 7/2002 Panagiotou 362/16

(75) Inventors: **Thomas Russello**, Freehold, NJ (US);
Michael K. Yoshida, Monmouth
Junction, NJ (US)

* cited by examiner

Primary Examiner—Clare E. Heflin

(74) *Attorney, Agent, or Firm*—Jeffrey A. Haeblerlin;
Middleton Reutlinger

(73) Assignee: **Genlyte Thomas Group LLC**,
Louisville, KY (US)

(57) **CLAIM**

(**) Term: **14 Years**

The ornamental design for a luminaire, as shown and described.

(21) Appl. No.: **29/157,527**

DESCRIPTION

(22) Filed: **Mar. 20, 2002**

(51) **LOC (7) Cl.** **26-03**

(52) **U.S. Cl.** **D26/87; D26/92**

(58) **Field of Search** D26/61–64, 66,
D26/72–92; 362/217–225, 269, 275, 410,
414, 418, 419, 427

FIG. 1 is a perspective view of a luminaire showing our design;

FIG. 2 is another perspective view thereof;

FIG. 3 is a left side elevational view thereof;

FIG. 4 is a right side elevational view thereof;

FIG. 5 is a front elevational view thereof; and,

FIG. 6 is a top plan view thereof.

The back of the luminaire is unornamented and not visible in normal use, since it is mounted against a wall or other structural member. Therefore, the back of the luminaire forms no part of the claimed design, and the rear elevational view has been omitted.

(56) **References Cited**

U.S. PATENT DOCUMENTS

- D115,417 S * 6/1939 McCann D26/109
- D357,761 S * 4/1995 DeWinter D26/65
- D377,990 S * 2/1997 Nakano D26/65
- 5,971,571 A * 10/1999 Rose 362/346
- D418,626 S * 1/2000 Herst et al. D26/118

1 Claim, 4 Drawing Sheets

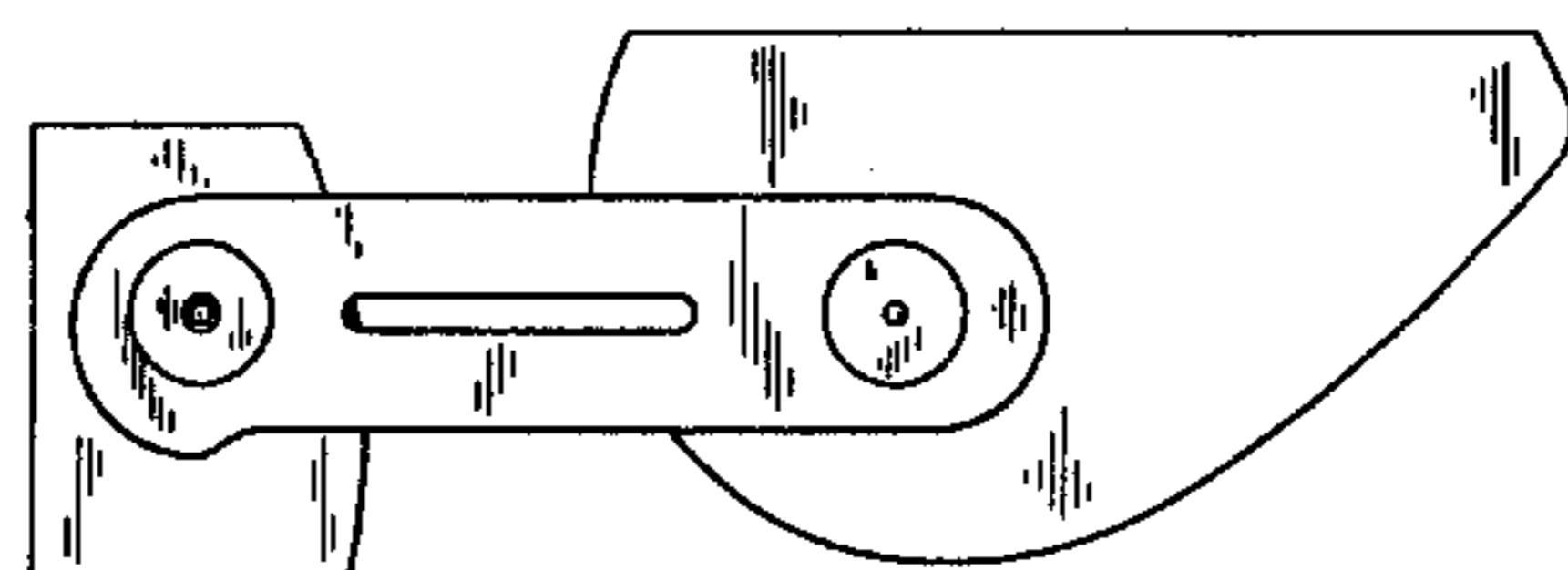
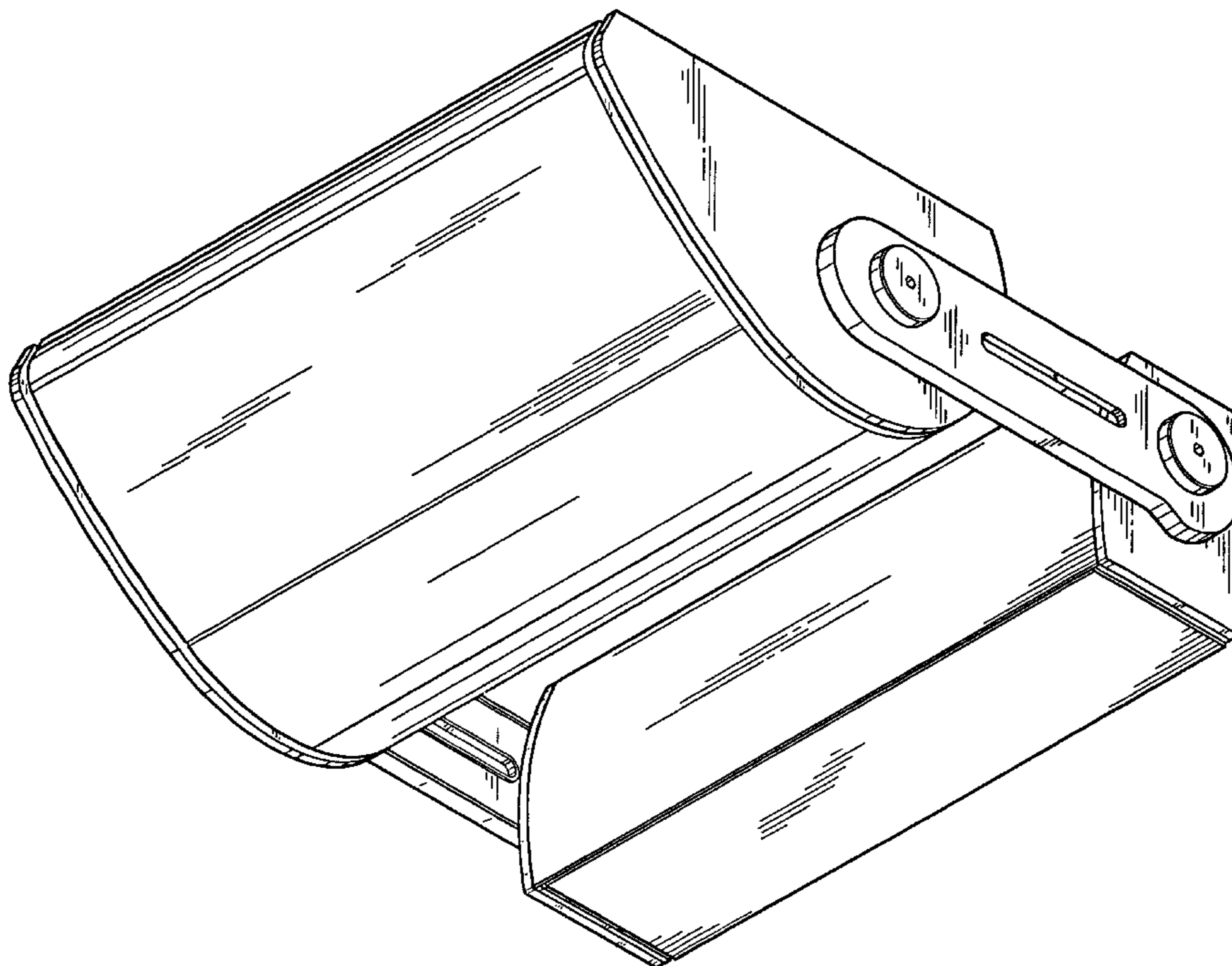


FIG. 1

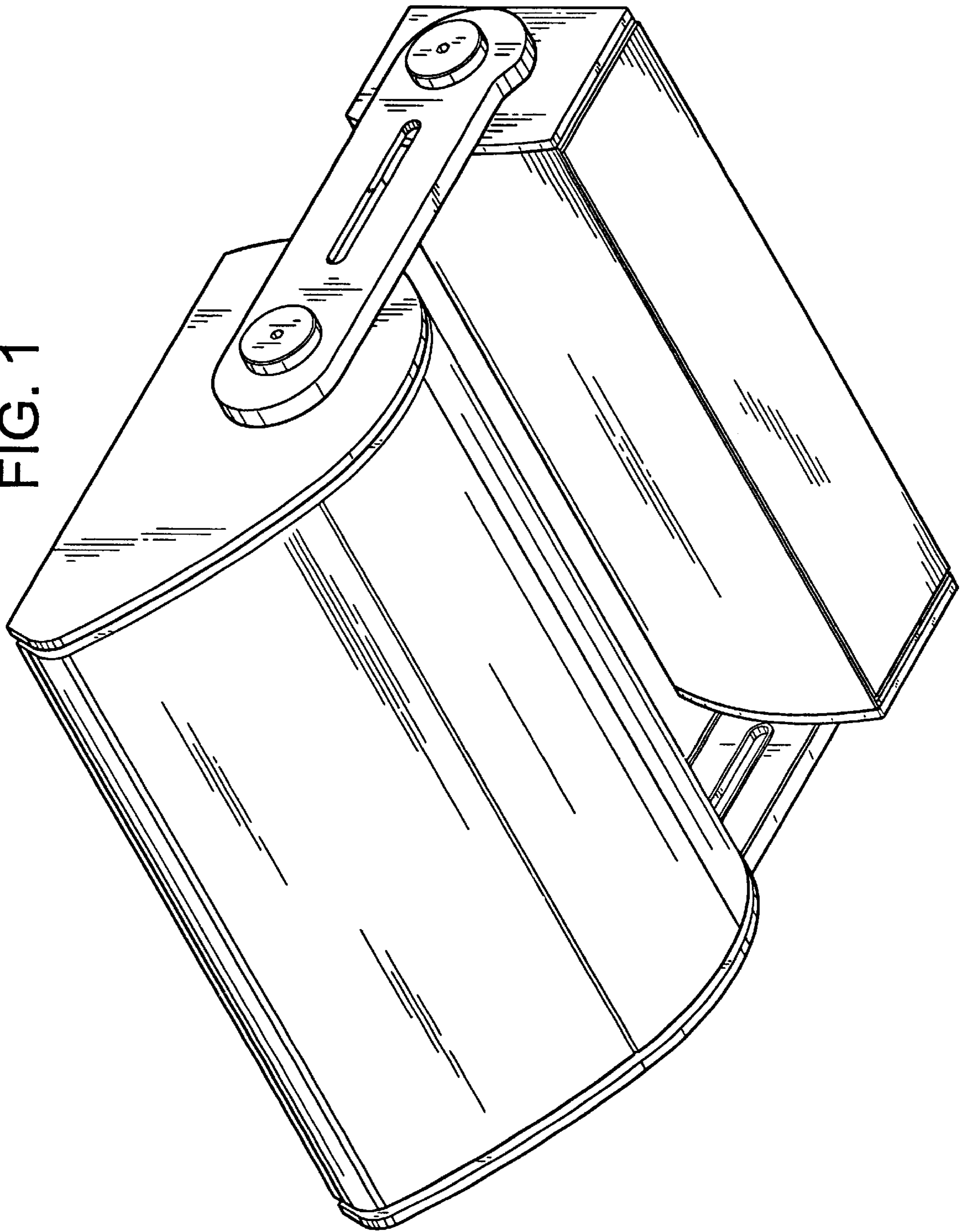


FIG. 2

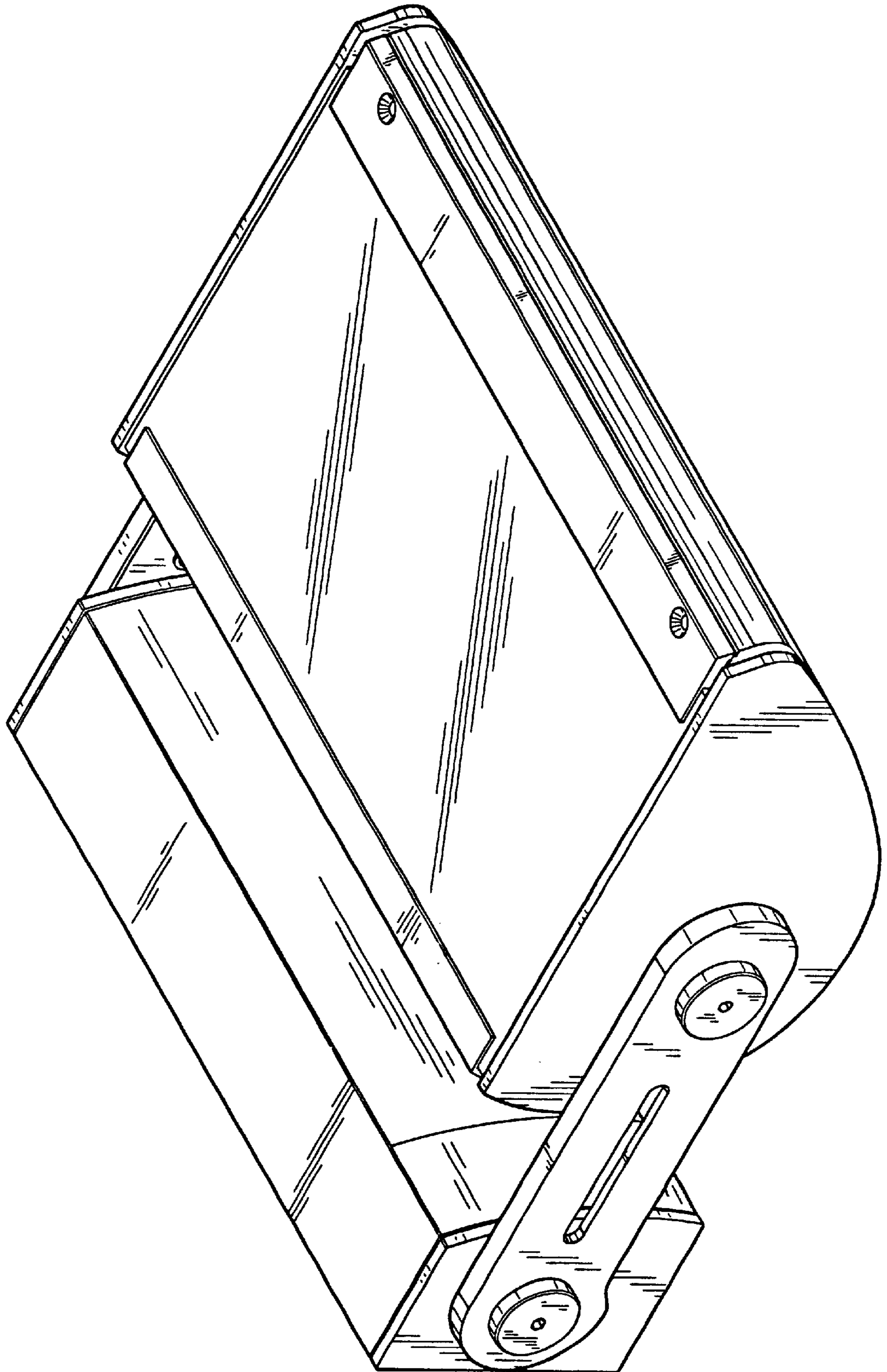


FIG. 4

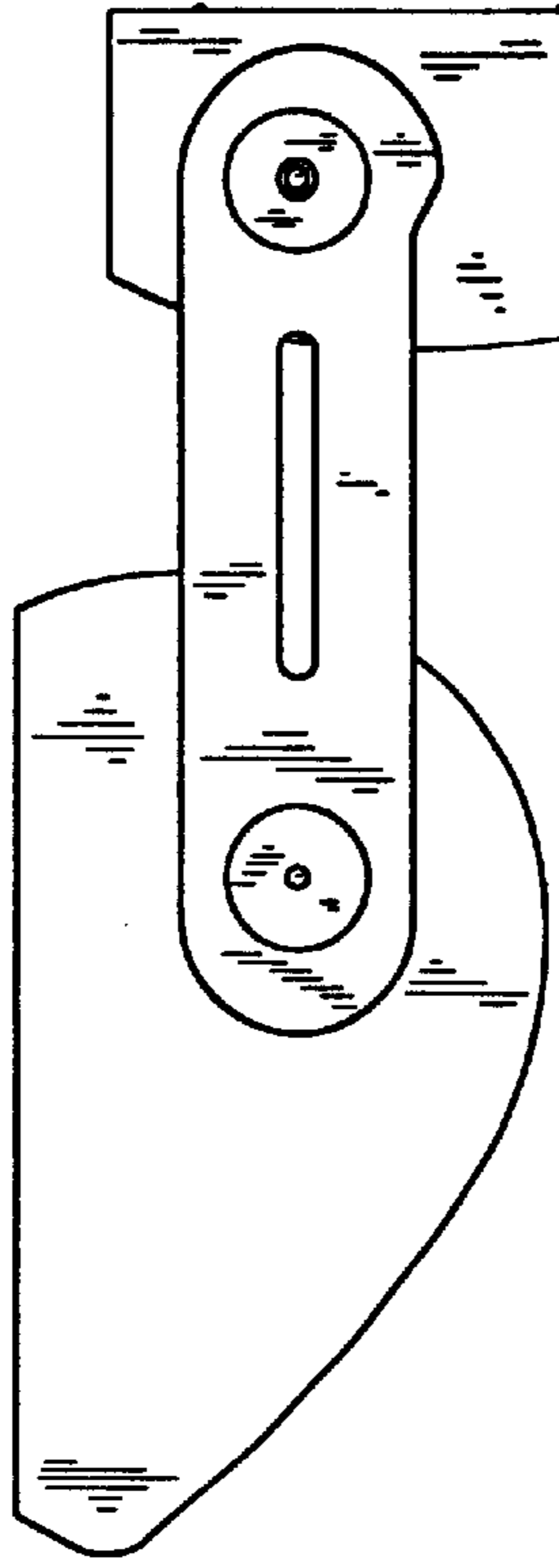


FIG. 3

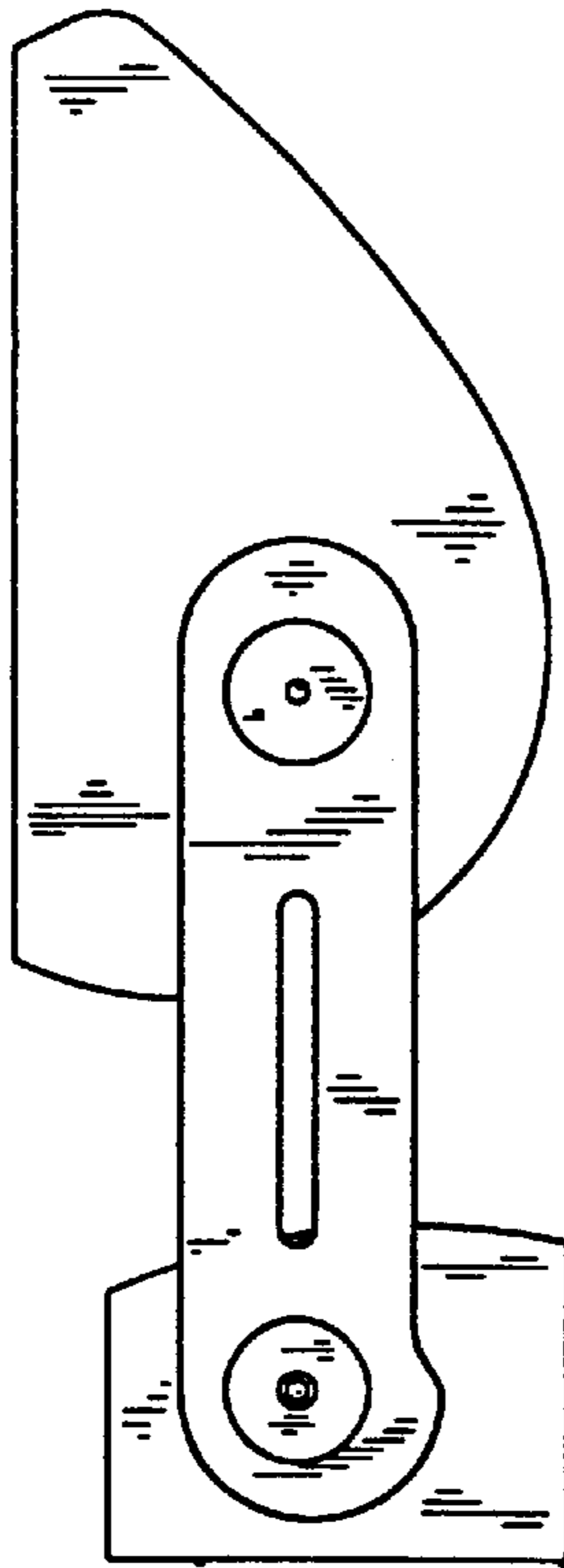


FIG. 6

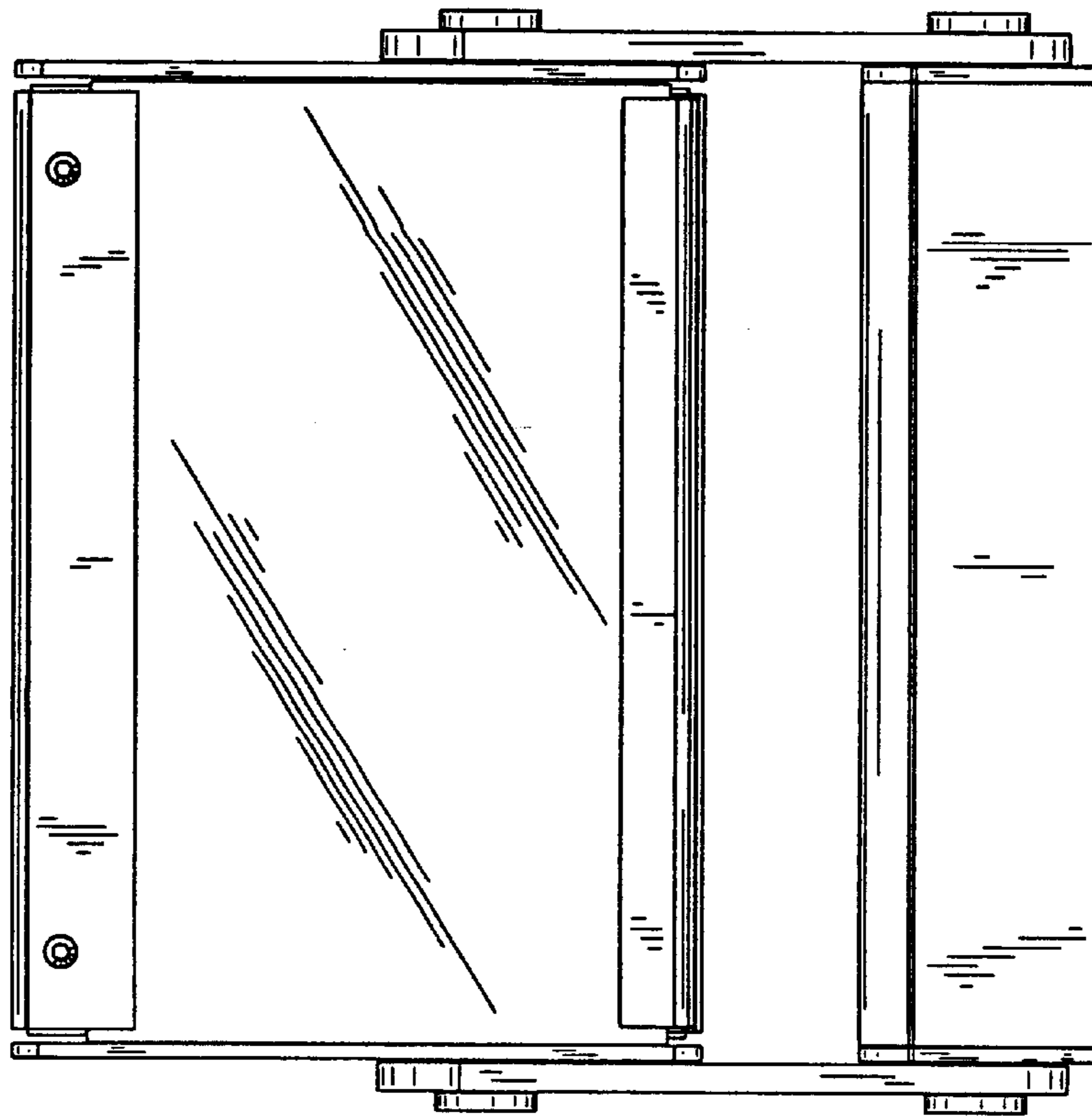


FIG. 5

