



US00D482485S

(12) **United States Design Patent**
Benghozi

(10) **Patent No.:** **US D482,485 S**

(45) **Date of Patent:** **** Nov. 18, 2003**

- (54) **LAMP**
- (75) Inventor: **Simon-Victor Benghozi**, Outremont (CA)
- (73) Assignee: **Bazz Inc.**, Montréal (CA)
- (**) Term: **14 Years**
- (21) Appl. No.: **29/168,351**
- (22) Filed: **Oct. 1, 2002**
- (51) **LOC (7) Cl.** **26-03**
- (52) **U.S. Cl.** **D26/85**
- (58) **Field of Search** D26/72, 80-92;
362/147, 237, 404-406, 432, 806, 159

(56) **References Cited**

U.S. PATENT DOCUMENTS

- D252,833 S * 9/1979 Bowser D26/85
- 5,491,618 A * 2/1996 Vakil 362/147
- 5,820,247 A * 10/1998 Schuler 362/147

OTHER PUBLICATIONS

- Taiwan Lighting, May 2000, p. 241, item #EB-25064 and p. 88, item #3352.*
- Taiwan Lighting Jan. 2002, p. 95, item #2DX38W.*
- Taiwan Lighting, Nov. 2001, p. 109, item #PU-01/WH in top left of page.*

Iluminotecnica, Nov./Dec. 1997, ceiling fixture on top of p. 154 and light fixture in center of p. 35.*

* cited by examiner

Primary Examiner—Clare E. Heflin

(74) *Attorney, Agent, or Firm*—Jean H. Dubuc

(57) **CLAIM**

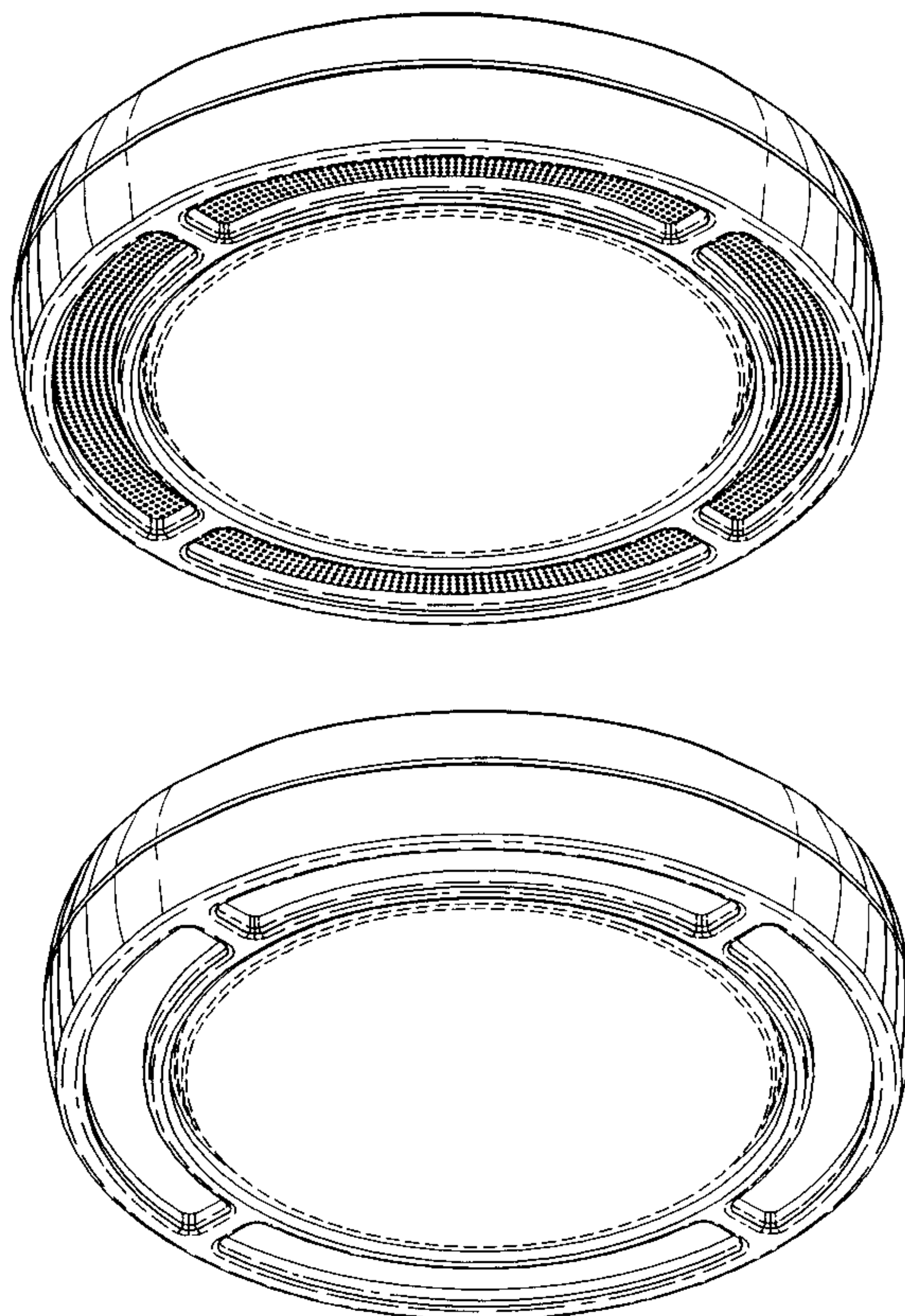
The ornamental design for a lamp, as shown and described.

DESCRIPTION

FIG. 1 is a perspective view of a first embodiment of a lamp showing my new design;
 FIG. 2 is a bottom plan view thereof;
 FIG. 3 is a side elevational view thereof;
 FIG. 4 is another side elevational view thereof;
 FIG. 5 is a top plan view thereof;
 FIG. 6 is a perspective view of a second embodiment thereof;
 FIG. 7 is a bottom plan view thereof;
 FIG. 8 is a side elevational view thereof;
 FIG. 9 is another side elevational view thereof; and,
 FIG. 10 is a top plan view thereof.

The broken lines shown on the drawings are for illustrative purposes only and form no part of the claimed design.

1 Claim, 4 Drawing Sheets



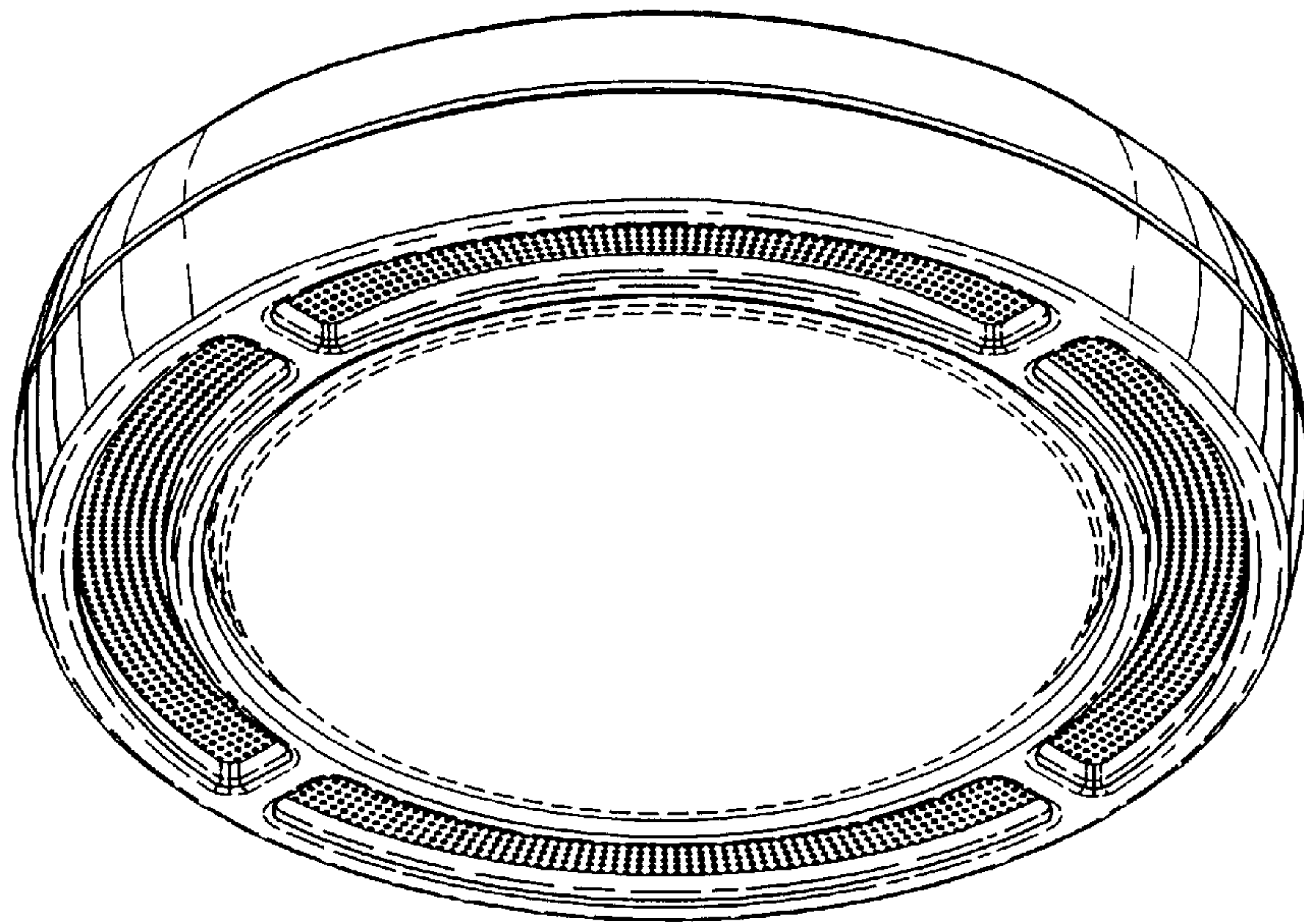


Fig. 1

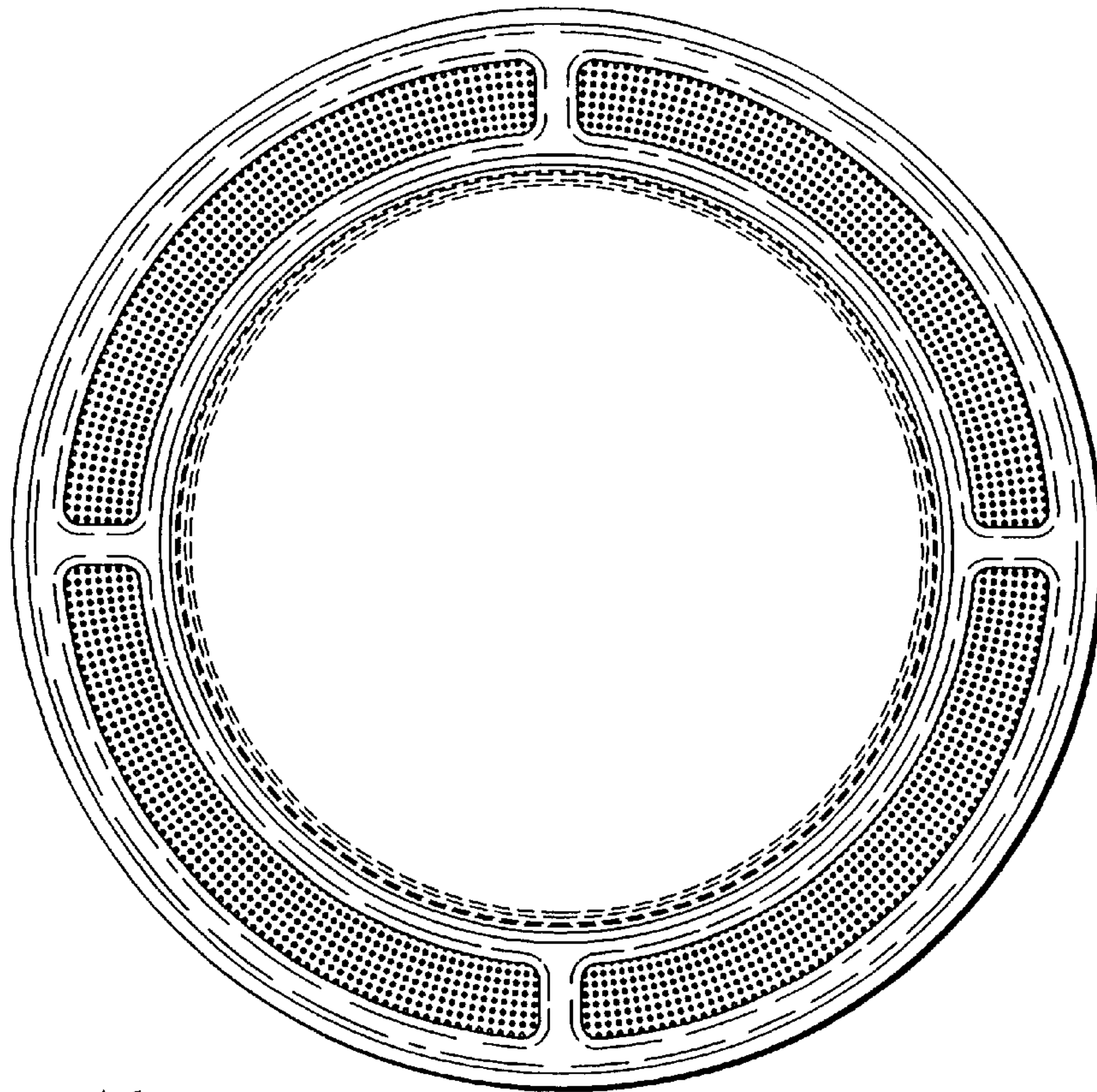


Fig. 2

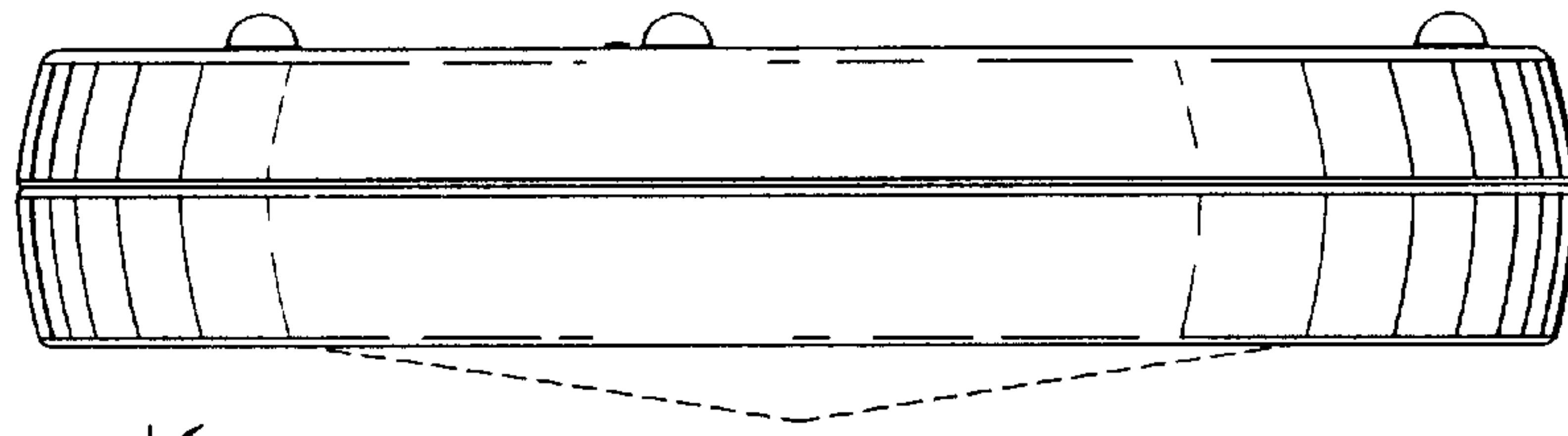


Fig. 3

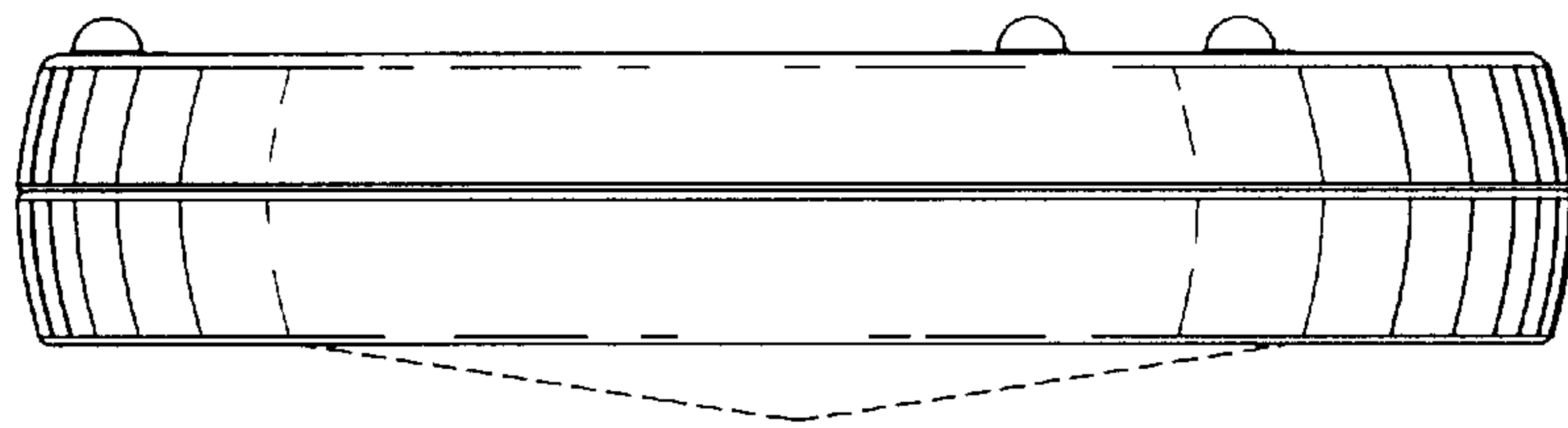


Fig. 4

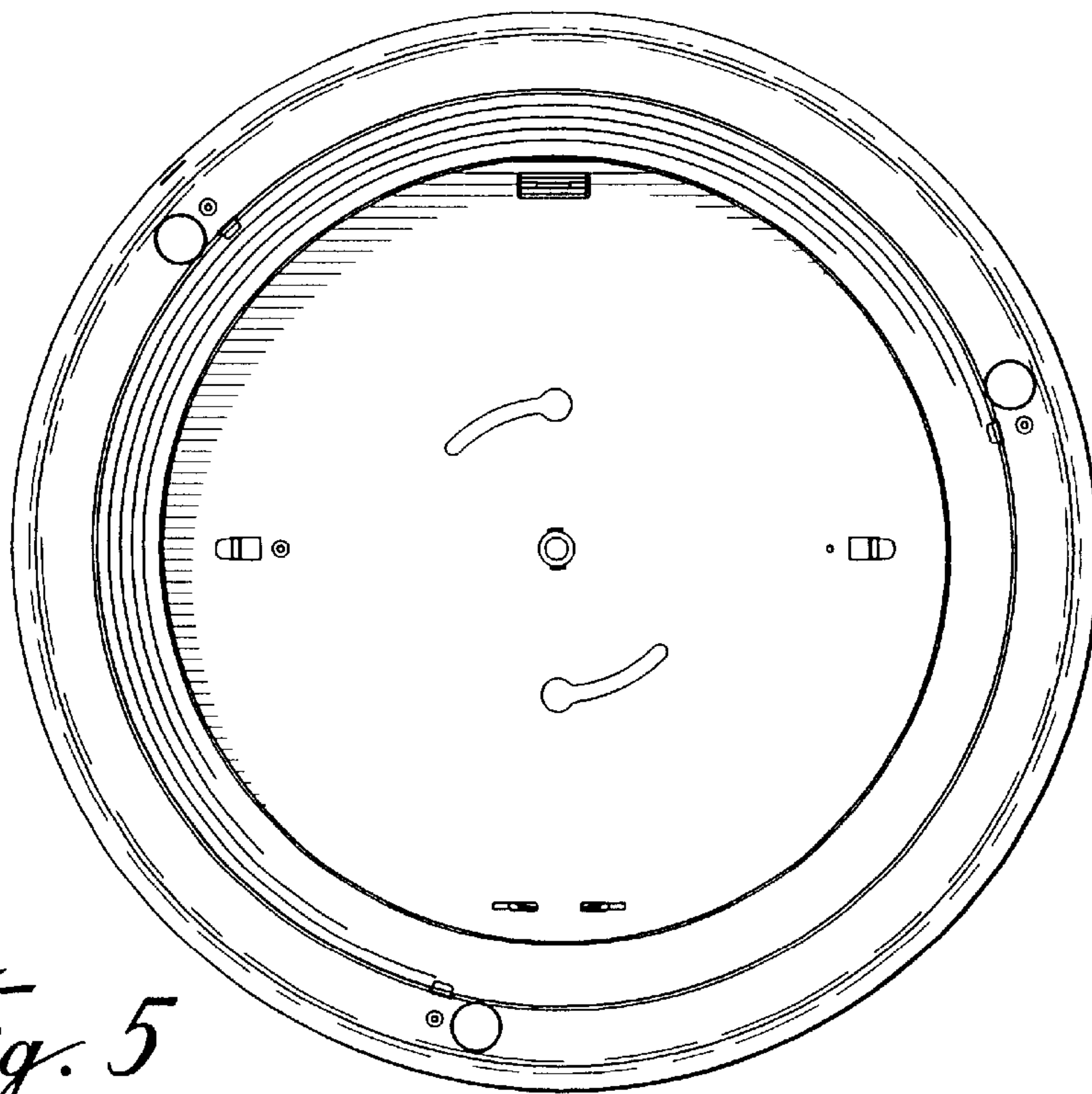


Fig. 5

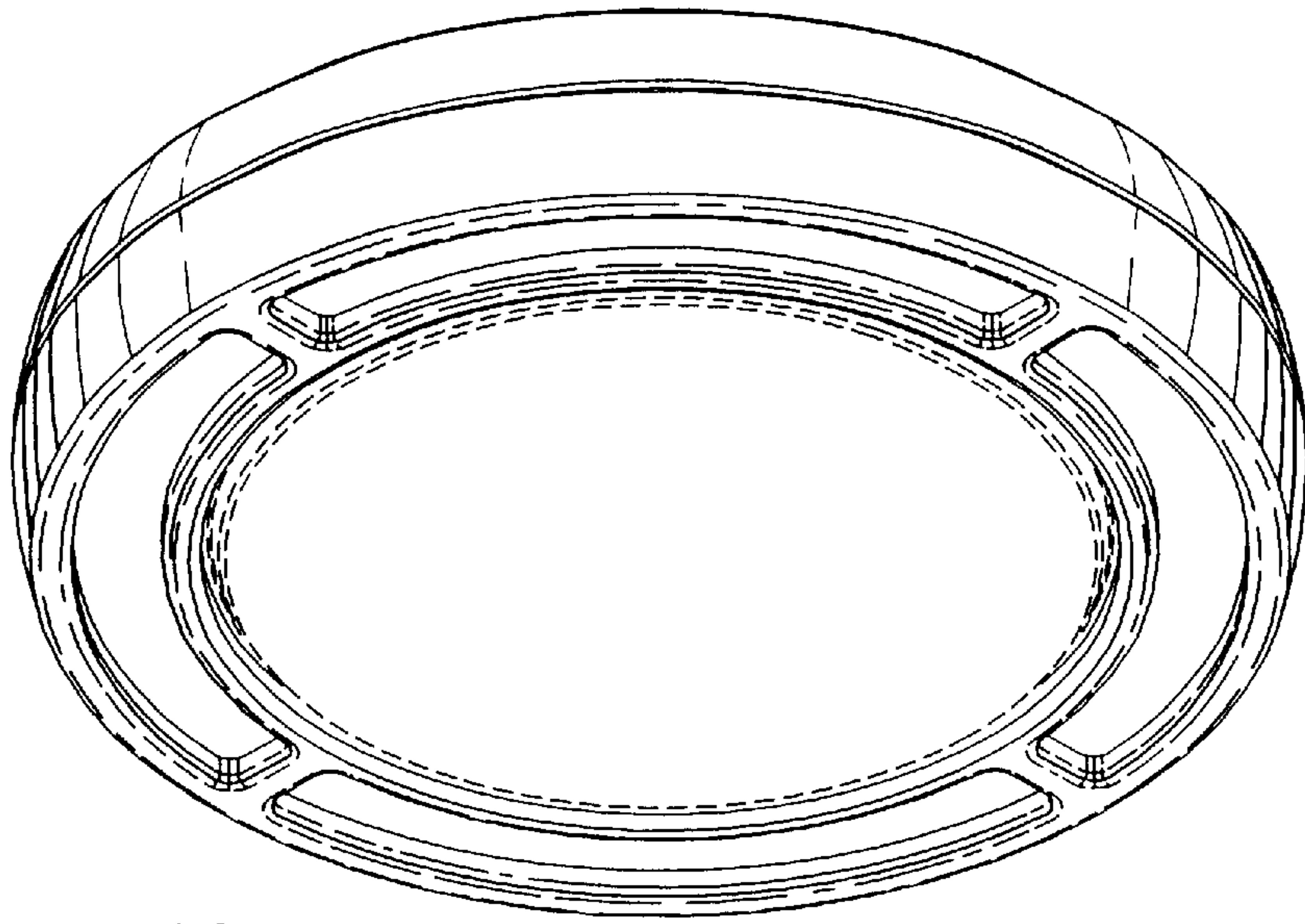


Fig. 6

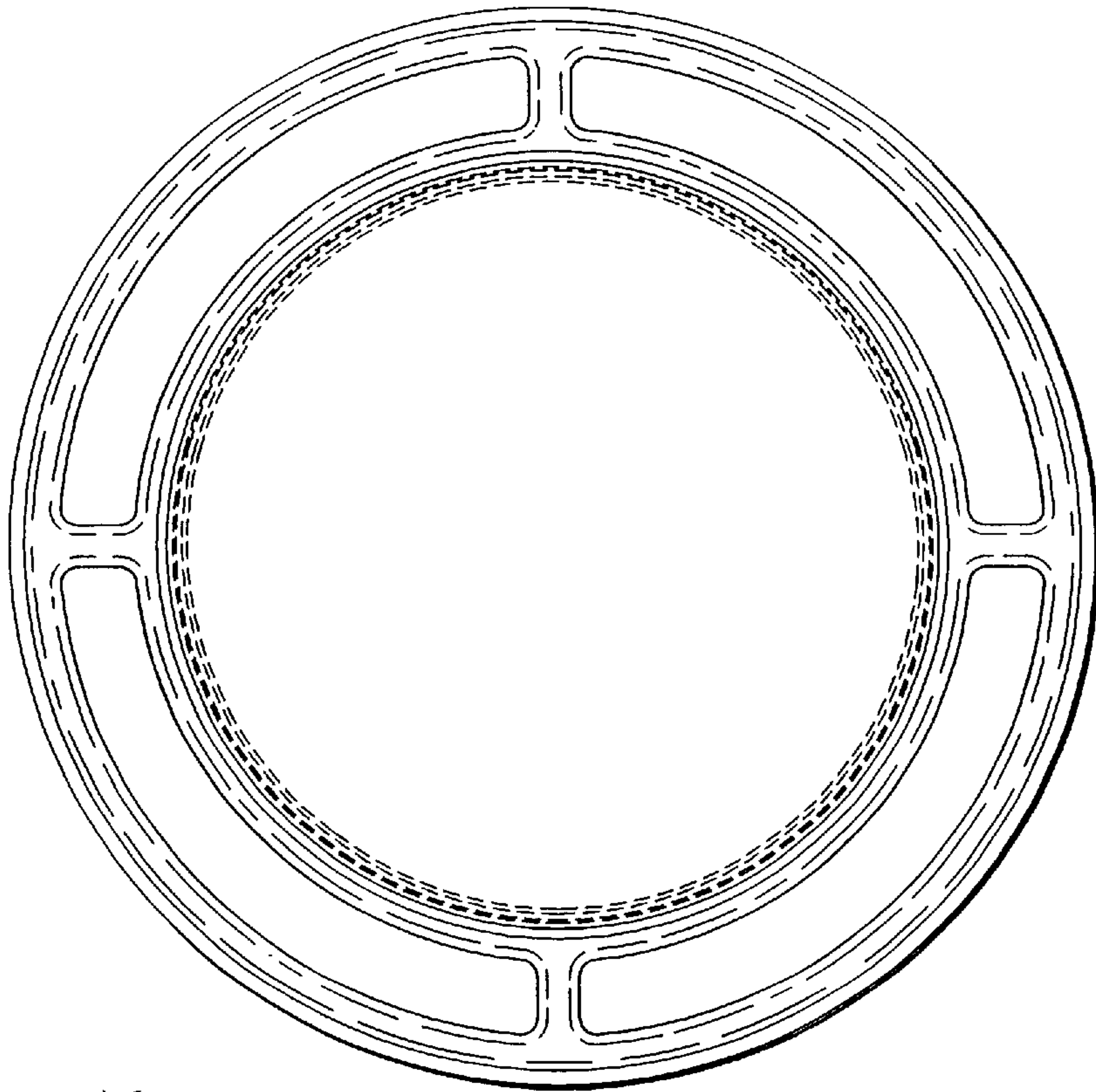


Fig. 7

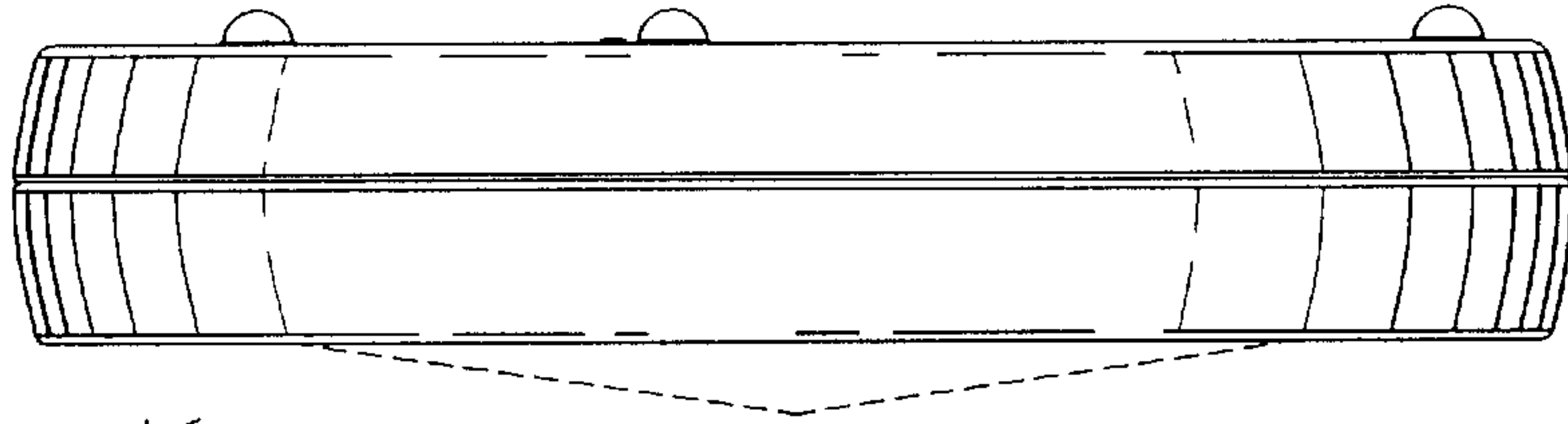


Fig. 8

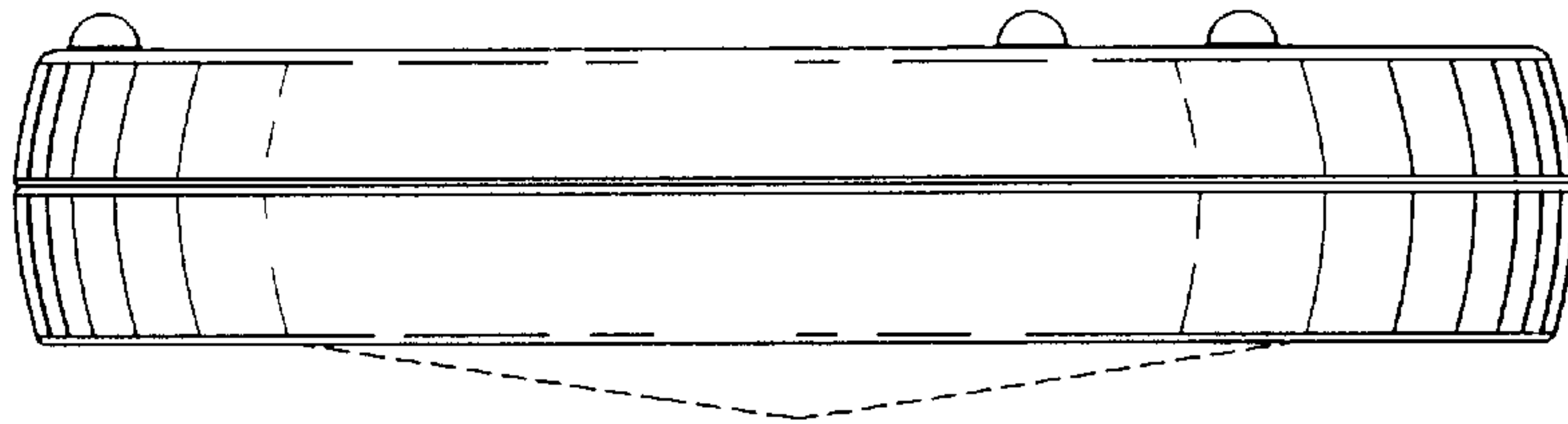


Fig. 9

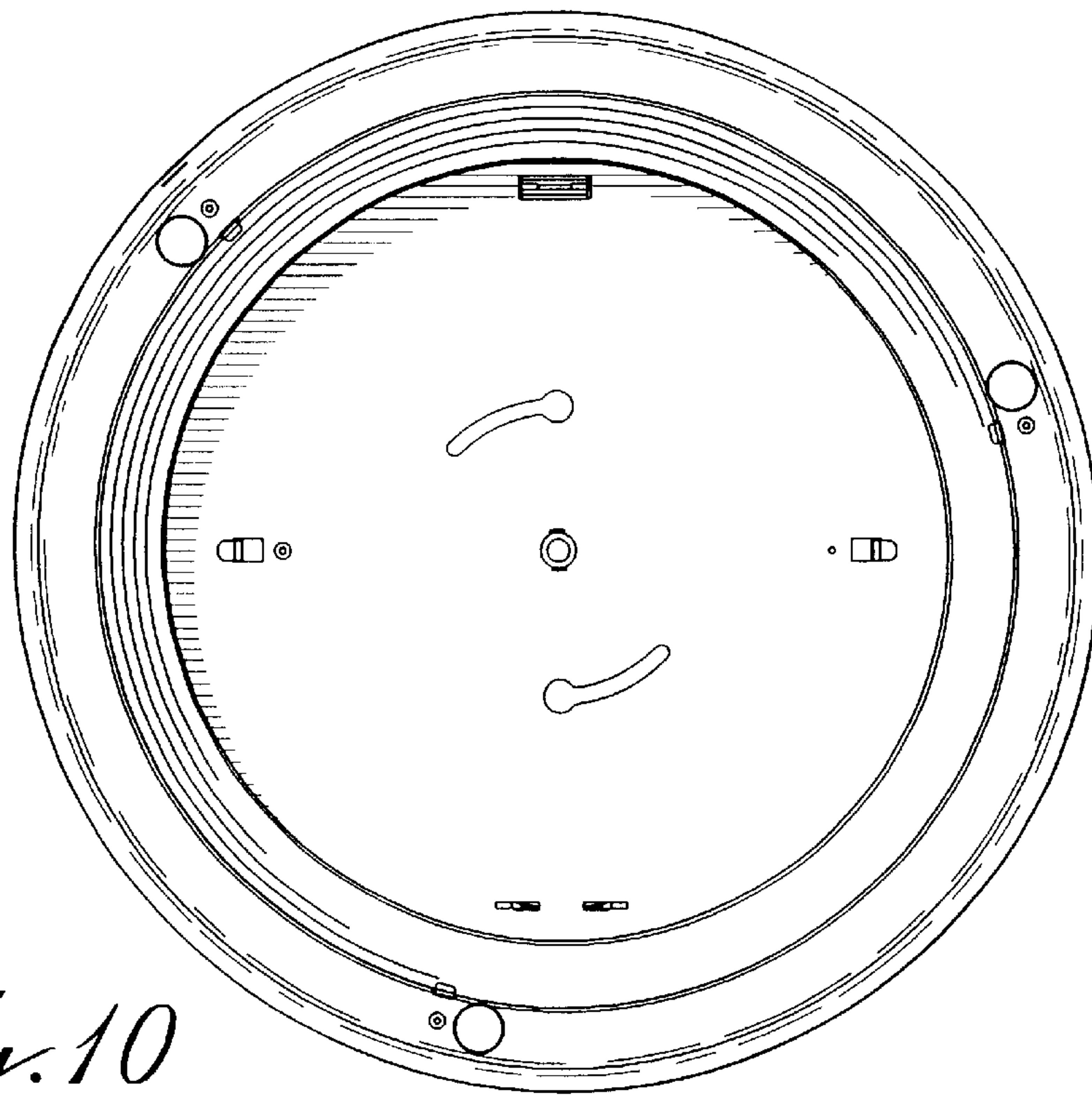


Fig. 10