



US00D482484S

(12) **United States Design Patent**
Benghozi

(10) **Patent No.:** **US D482,484 S**

(45) **Date of Patent:** **** Nov. 18, 2003**

(54) **LAMP**

(75) Inventor: **Simon-Victor Benghozi**, Outremont (CA)

(73) Assignee: **Bazz Inc.**, Montréal (CA)

(**) Term: **14 Years**

(21) Appl. No.: **29/168,347**

(22) Filed: **Oct. 1, 2002**

(51) **LOC (7) Cl.** **26-03**

(52) **U.S. Cl.** **D26/85**

(58) **Field of Search** D26/72, 80-92;
362/147, 237, 404-406, 159, 432, 806

(56) **References Cited**

U.S. PATENT DOCUMENTS

2,255,431	A	*	9/1941	Marden et al.	D26/89
D350,409	S	*	9/1994	Johnson et al.	D26/86
5,491,618	A	*	2/1996	Vakil	362/147
5,820,247	A	*	10/1998	Schuler	362/147
6,439,740	B1	*	8/2002	Yan	362/404
D464,164	S	*	10/2002	Thompson	D26/89

OTHER PUBLICATIONS

Taiwan Lighting, Jan. 2002, 1.) "Halogen Downlight" second from top left on p. 106, and 2.) #2018A "White" on p. 95.*

Illuminotecnica, Nov./Dec. 1997, 1.) fixture in center of p. 35 and, 2.) circular fixtures on bottom left of p. 154.*

Taiwan Lighting, May 2000, item #3352 on p. 88.*

* cited by examiner

Primary Examiner—Clare E. Heflin

(74) *Attorney, Agent, or Firm*—Jean H. Dubuc

(57) **CLAIM**

The ornamental design for a lamp, as shown and described.

DESCRIPTION

FIG. 1 is a perspective view of a lamp showing my new design;

FIG. 2 is a bottom plan view thereof;

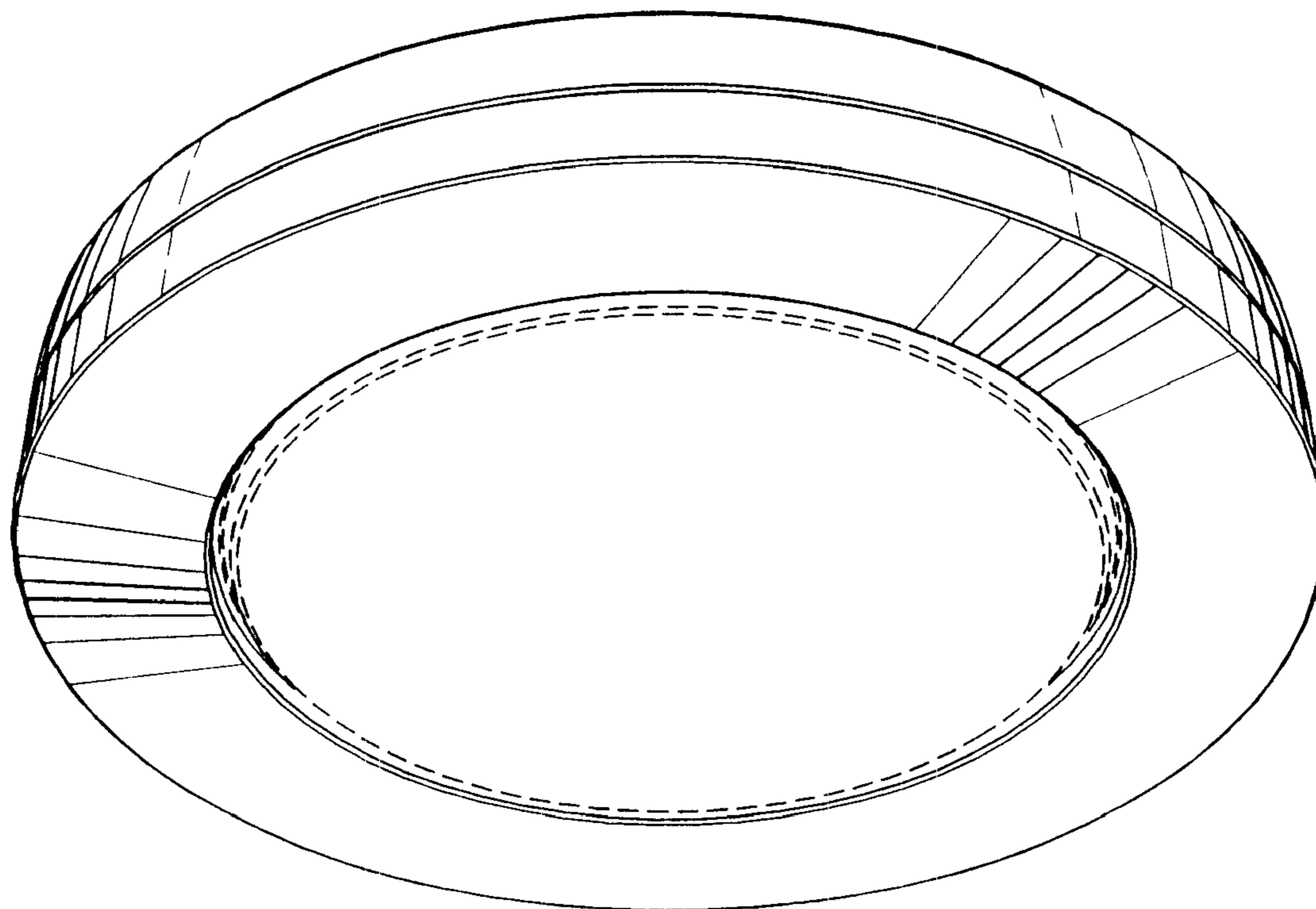
FIG. 3 is a side elevational view thereof;

FIG. 4 is another side elevational view thereof; and,

FIG. 5 is a top plan view thereof.

The broken lines shown on the drawings are for illustrative purposes only and form no part of the claimed design.

1 Claim, 2 Drawing Sheets



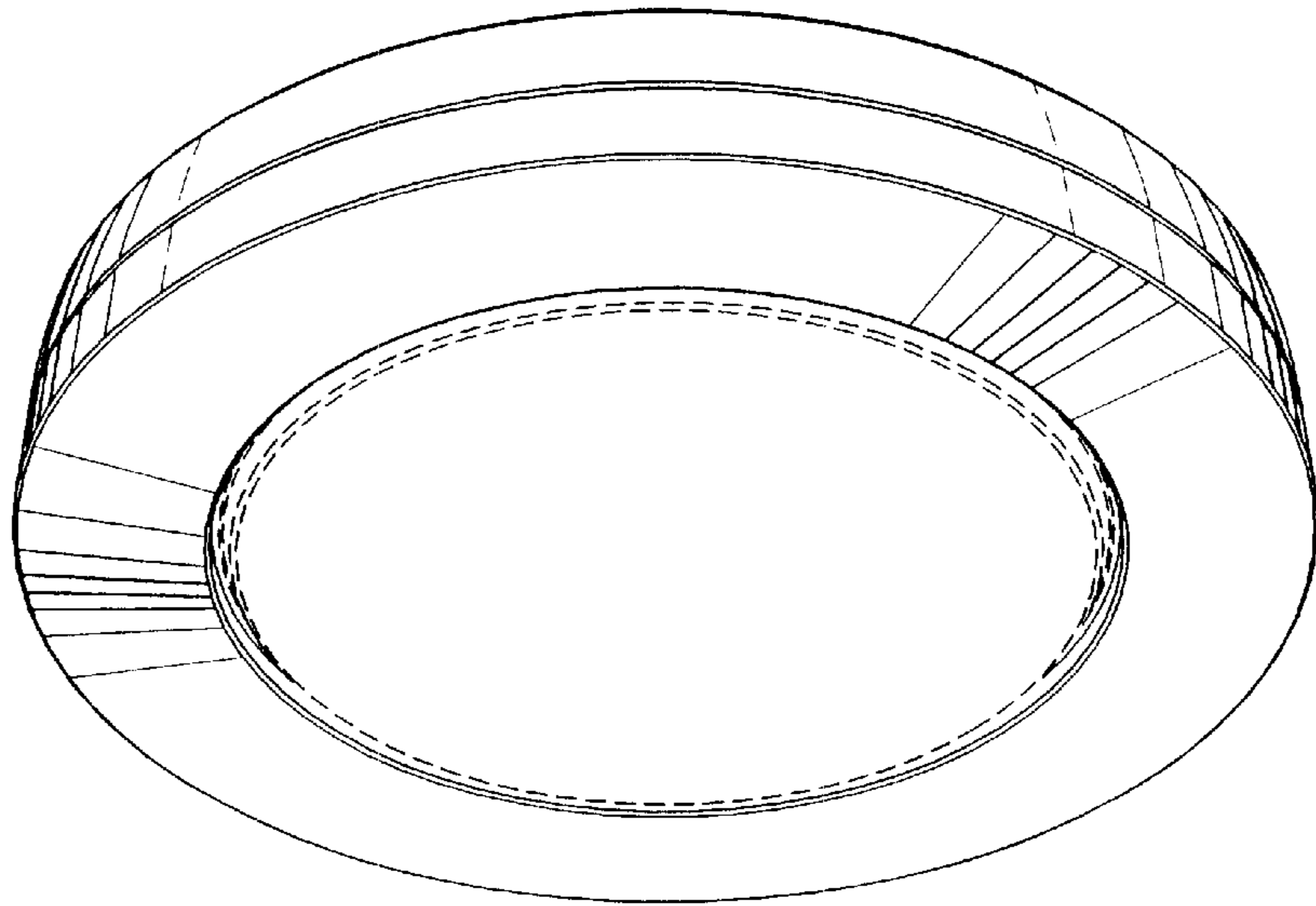


Fig. 1

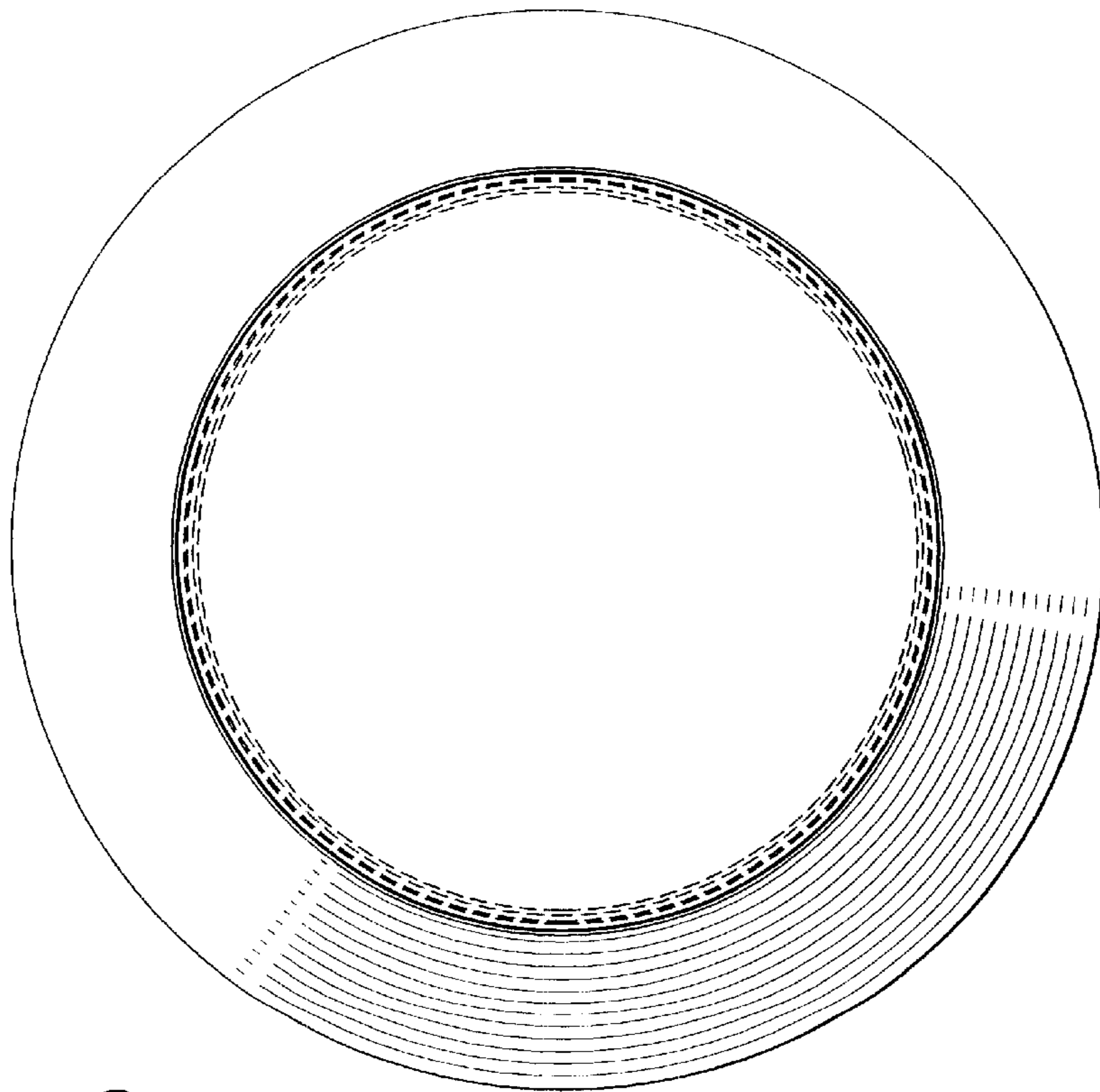


Fig. 2

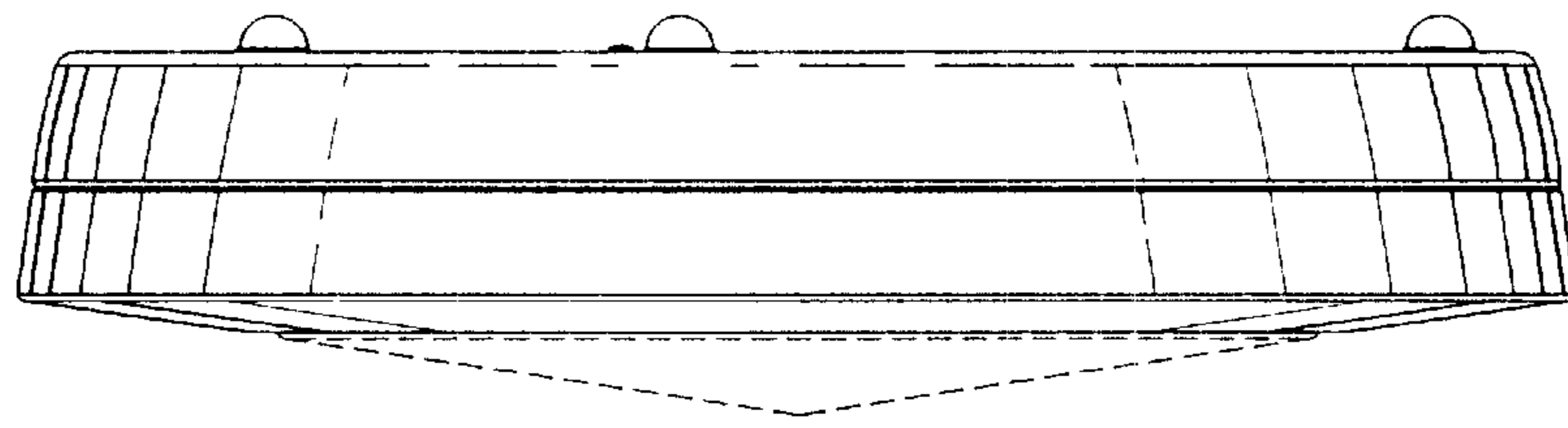


Fig. 3

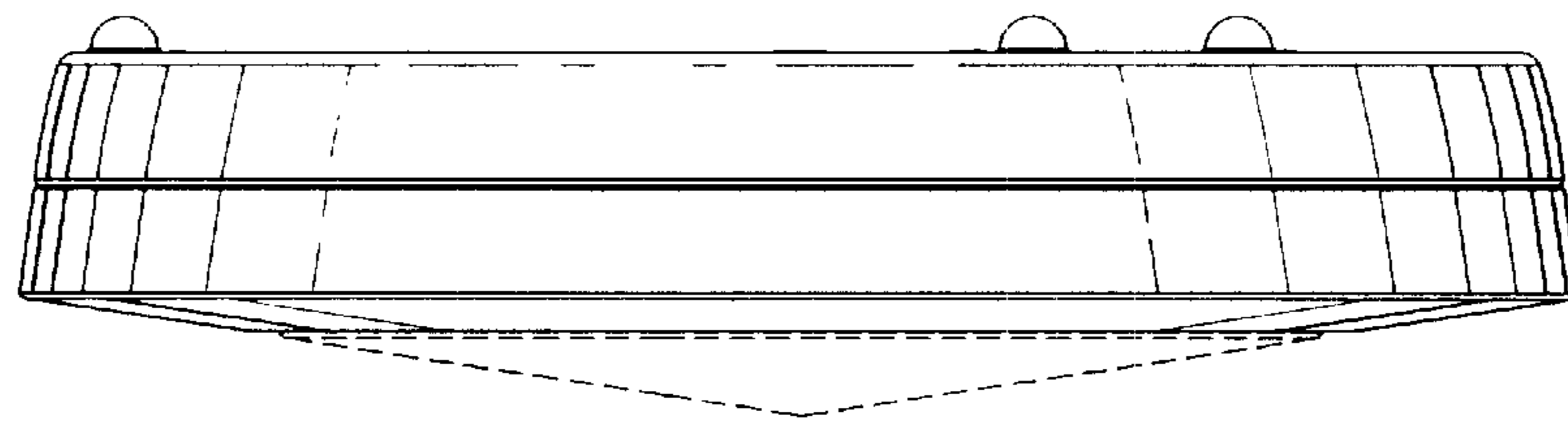


Fig. 4

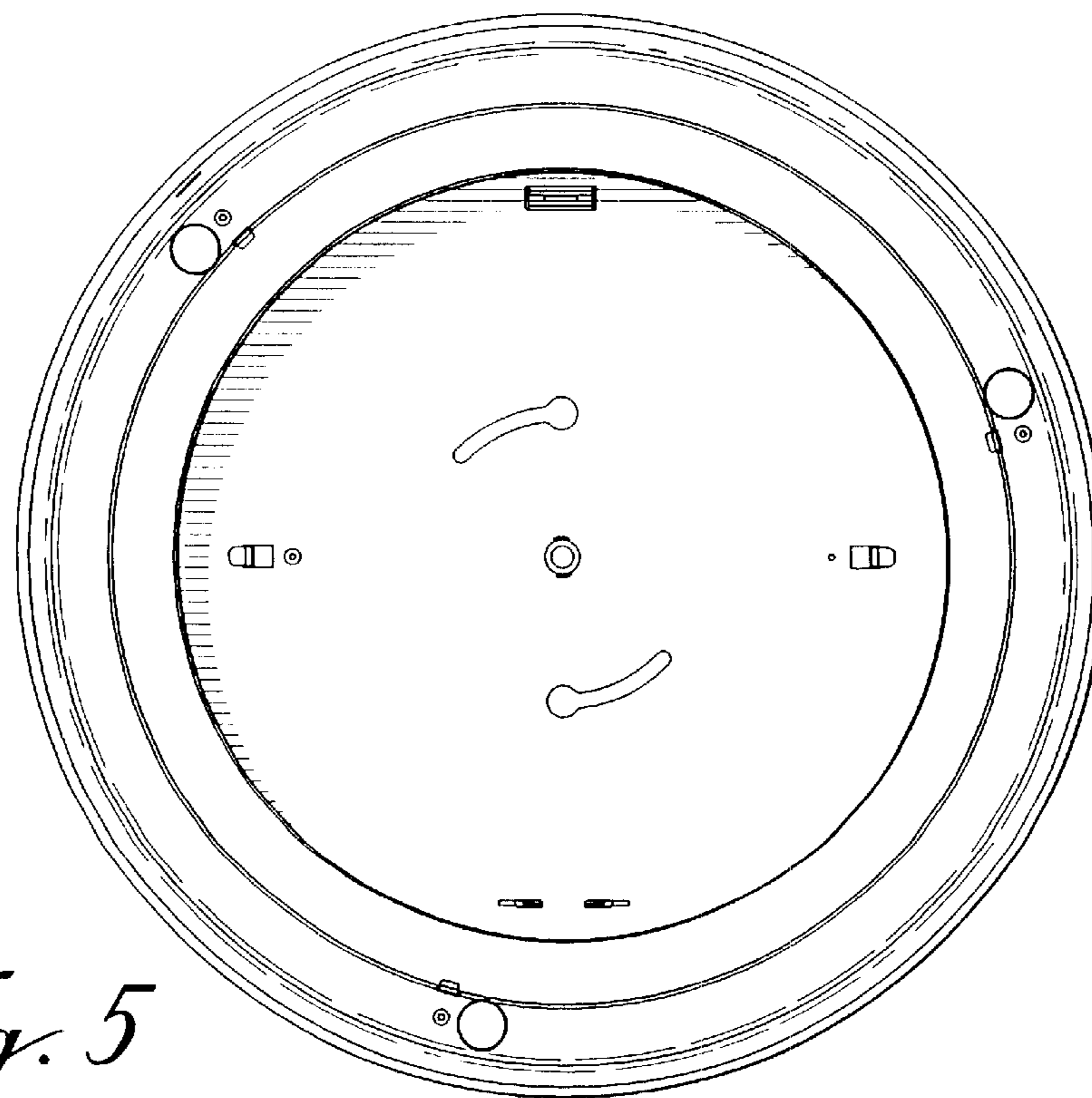


Fig. 5